



US00D833209S

(12) **United States Design Patent**
Duan et al.

(10) **Patent No.:** **US D833,209 S**
(45) **Date of Patent:** **** Nov. 13, 2018**

(54) **BLENDER AND CANISTER SET**

(71) Applicant: **Ningbo Borine Electric Appliance Co., Ltd.**, Ningbo, Zhejiang (CN)

(72) Inventors: **Qiuming Duan**, Zhejiang (CN);
Shaoyong Zhang, Zhejiang (CN)

(73) Assignee: **Ningbo Borine Electric Appliance Co., Ltd.**, Ningbo (CN)

(**) Term: **15 Years**

(21) Appl. No.: **29/610,066**

(22) Filed: **Jul. 9, 2017**

(30) **Foreign Application Priority Data**

May 31, 2017 (CN) 2017 3 0213294

(51) **LOC (11) Cl.** **31-00**

(52) **U.S. Cl.**
USPC **D7/378; D7/376; D7/386; D7/412;**
D7/413

(58) **Field of Classification Search**
USPC **D7/372, 376-386, 412-413, 602, 629,**
D7/665-666, 669, 679, 693-694
(Continued)

(56) **References Cited**

U.S. PATENT DOCUMENTS

D466,759 S * 12/2002 Moore D7/378
D556,506 S * 12/2007 Spagnolo D7/378
(Continued)

Primary Examiner — Ricky Pham

(57) **CLAIM**

The ornamental design for a blender and canister set, as shown and described.

DESCRIPTION

FIG. 1 is a perspective view of a blender and canister set showing our new design;

FIG. 2 is a front elevational view of the blender and first canister;

FIG. 3 is a rear elevational view of FIG. 2;

FIG. 4 is a left side view of FIG. 2;

FIG. 5 is a right side view of FIG. 2;

FIG. 6 is a top plan view of FIG. 2;

FIG. 7 is a bottom plan view of FIG. 2;

FIG. 8 is a first perspective view of FIG. 2;

FIG. 9 is a second perspective view of FIG. 2;

FIG. 10 is a front elevational view of the second canister, shown separately for clarity and completeness of disclosure;

FIG. 11 is a rear elevational view of FIG. 10;

FIG. 12 is a left side view of FIG. 10;

FIG. 13 is a right side view of FIG. 10;

FIG. 14 is a top plan view of FIG. 10;

FIG. 15 is a bottom plan view of FIG. 10;

FIG. 16 is a first perspective view of FIG. 10;

FIG. 17 is a second perspective view of FIG. 10;

FIG. 18 is a front elevational view of the third canister, shown separately for clarity and completeness of disclosure;

FIG. 19 is a left side view of FIG. 18;

FIG. 20 is a right side view of FIG. 18;

FIG. 21 is a top plan view of FIG. 18;

FIG. 22 is a bottom plan view of FIG. 18;

FIG. 23 is a first perspective view of FIG. 18;

FIG. 24 is a second perspective view of FIG. 18;

FIG. 25 is a front elevational view of the fourth canister, shown separately for clarity and completeness of disclosure;

FIG. 26 is a rear elevational view of FIG. 25;

FIG. 27 is a left side view of FIG. 25;

FIG. 28 is a right side view of FIG. 25;

FIG. 29 is a top plan view of FIG. 25;

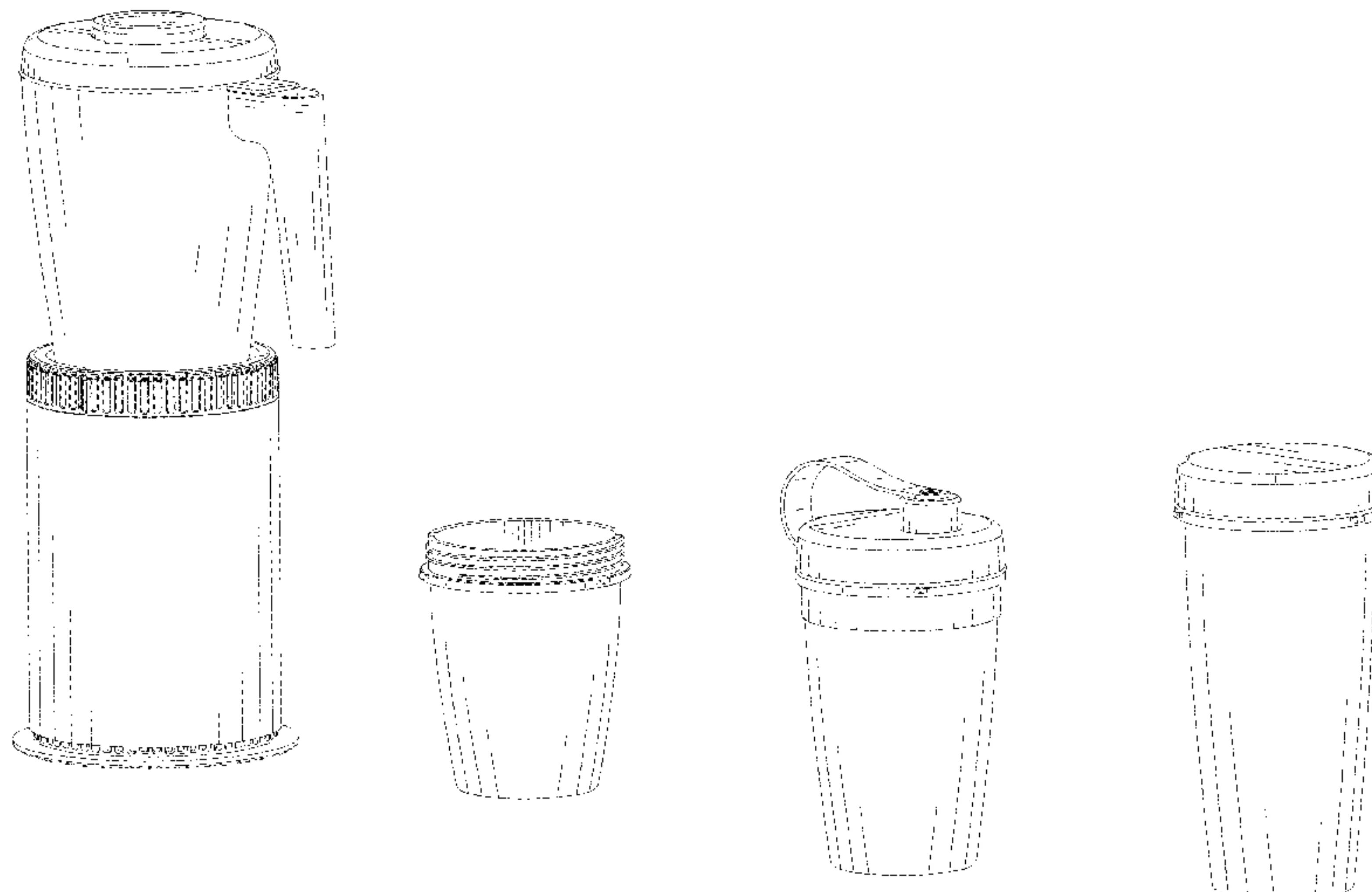
FIG. 30 is a bottom plan view of FIG. 25;

FIG. 31 is a first perspective view of FIG. 25; and,

FIG. 32 is a second perspective view of FIG. 25.

The broken lines in the drawings illustrate portions of the blender and canister set which form no part of the claimed design.

1 Claim, 32 Drawing Sheets



(58) **Field of Classification Search**

CPC A21C 1/02; A21C 1/04; A23N 1/00; A23N 1/02; A47J 43/04; A47J 43/25; A47J 43/27; A47J 43/042; A47J 43/044; A47J 43/046; A47J 43/075; A47J 43/0722; A47J 43/0727; B01F 3/00; B01F 3/0807; B01F 3/0853; B01F 13/0059; B01F 13/0064; B02C 1/08; B02C 2/04; B02C 4/42; B02C 4/142; B02C 4/143; B02C 4/423; B02C 13/1835; B28C 5/10; B28C 5/12; B28C 5/14; B28C 5/16

See application file for complete search history.

(56) **References Cited**

U.S. PATENT DOCUMENTS

D629,643	S *	12/2010	Bower	D7/376
D728,302	S *	5/2015	Vu	D7/376
D731,235	S *	6/2015	Bradley	D7/376
D747,135	S *	1/2016	Ha	D7/376
D747,915	S *	1/2016	Kim	D7/372
D776,973	S *	1/2017	Du	D7/376
D782,866	S *	4/2017	Suess	D7/376
D793,803	S *	8/2017	Patel	D7/376
D815,886	S *	4/2018	Huang	D7/378
D816,395	S *	5/2018	Huang	A47J 43/0727
					D7/378
2016/0130052	A1 *	5/2016	Stenglein	A47J 43/0727
					220/212

* cited by examiner

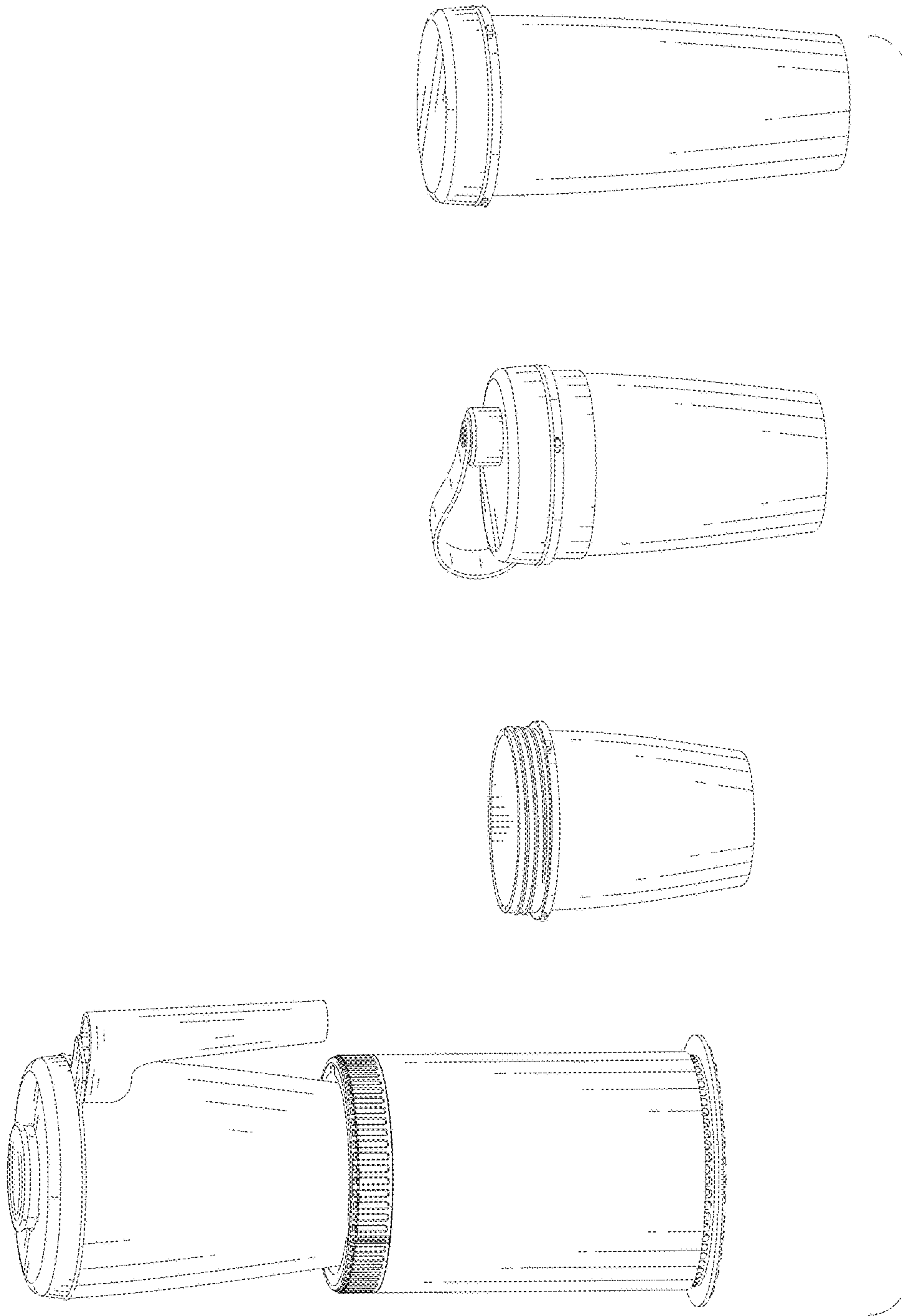


FIG. 1

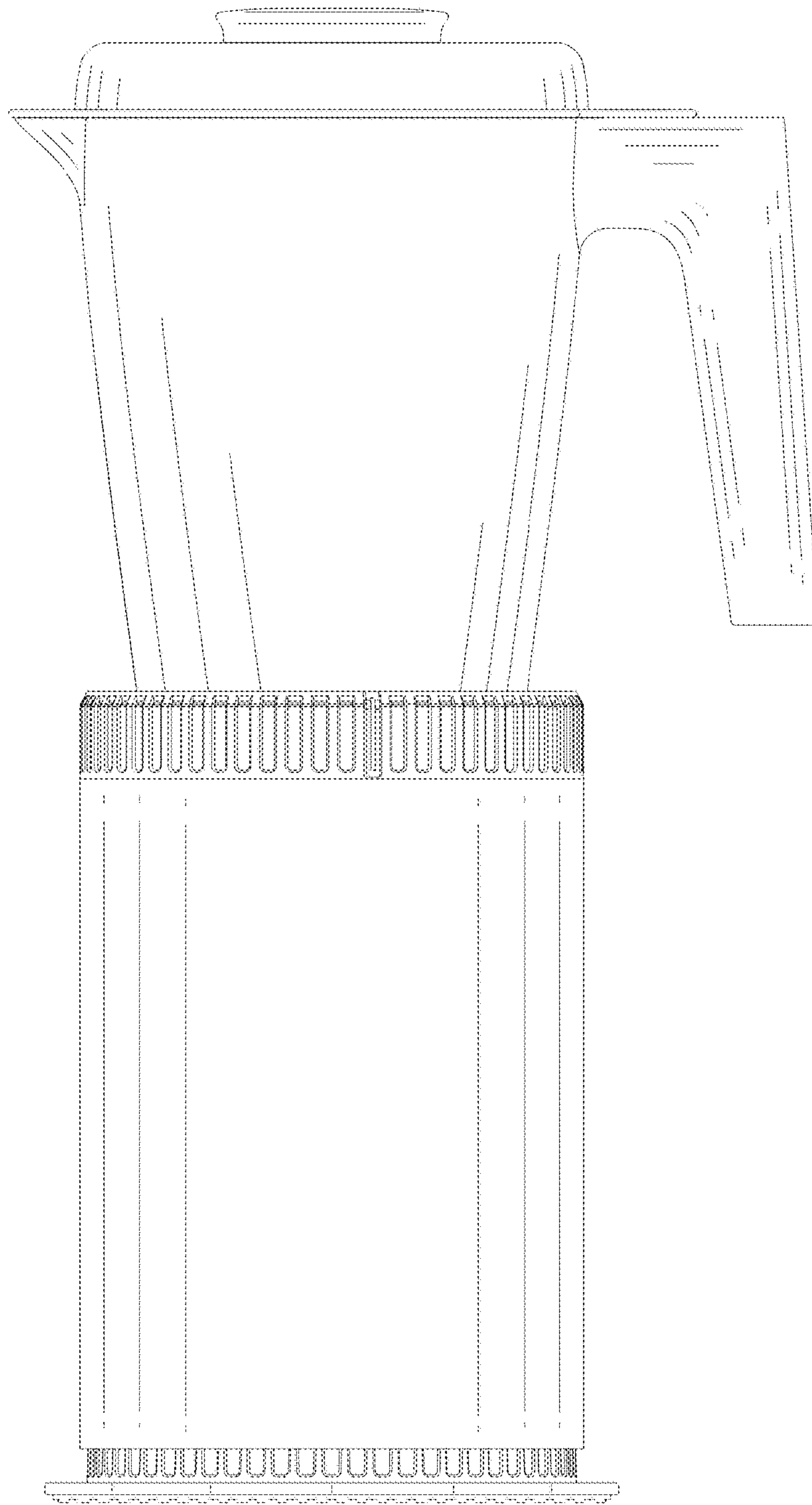


FIG. 2

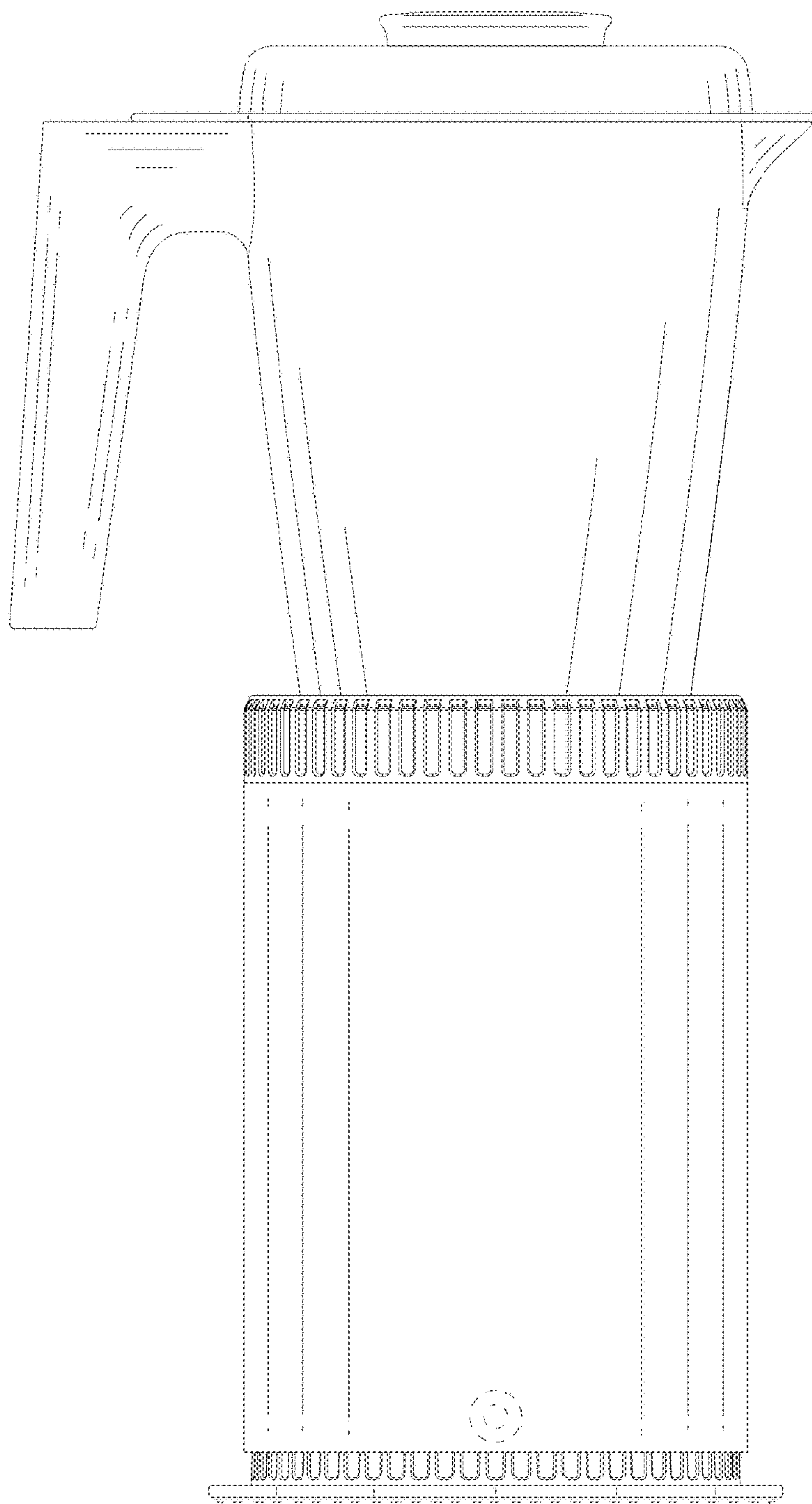


FIG. 3

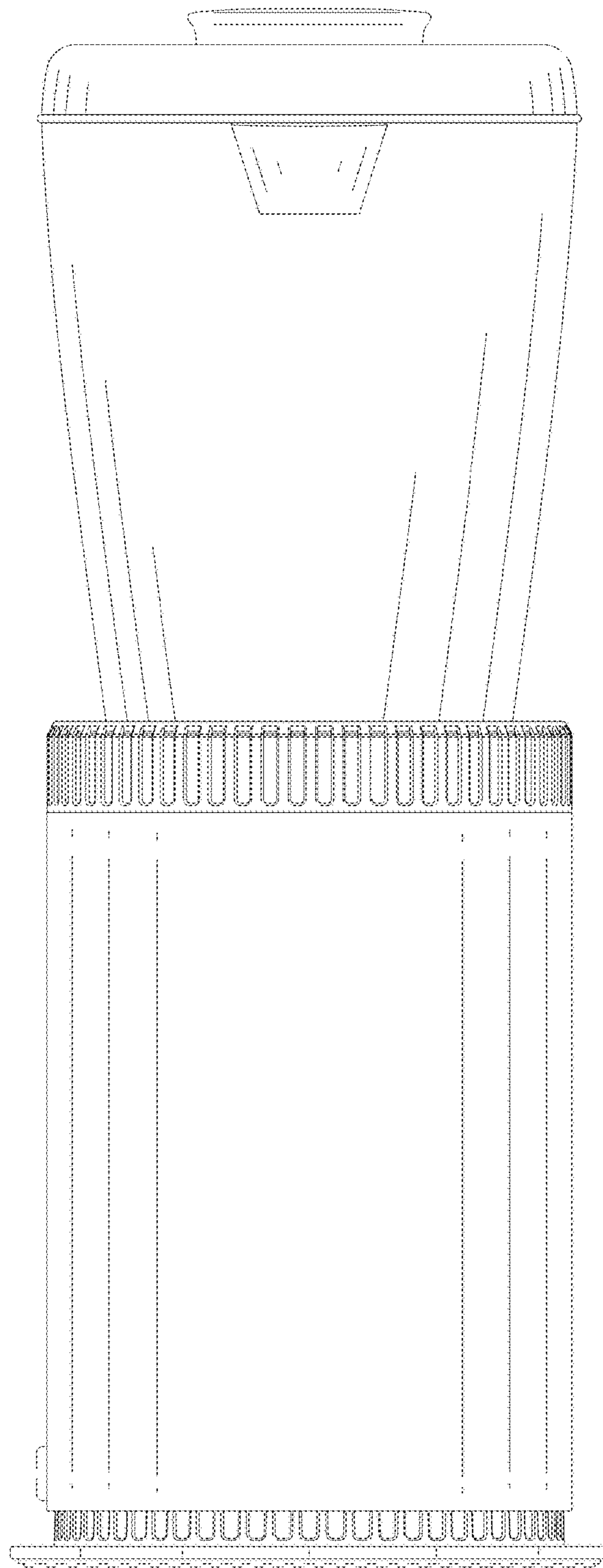


FIG. 4

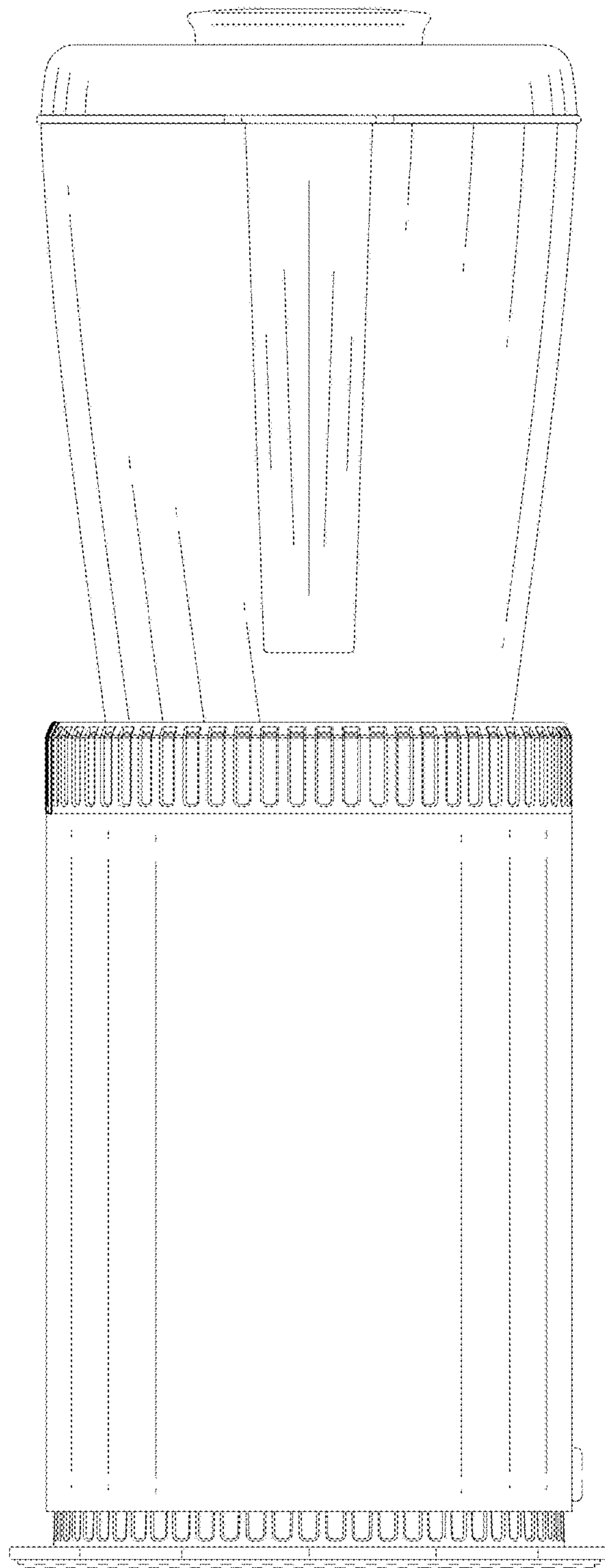


FIG. 5

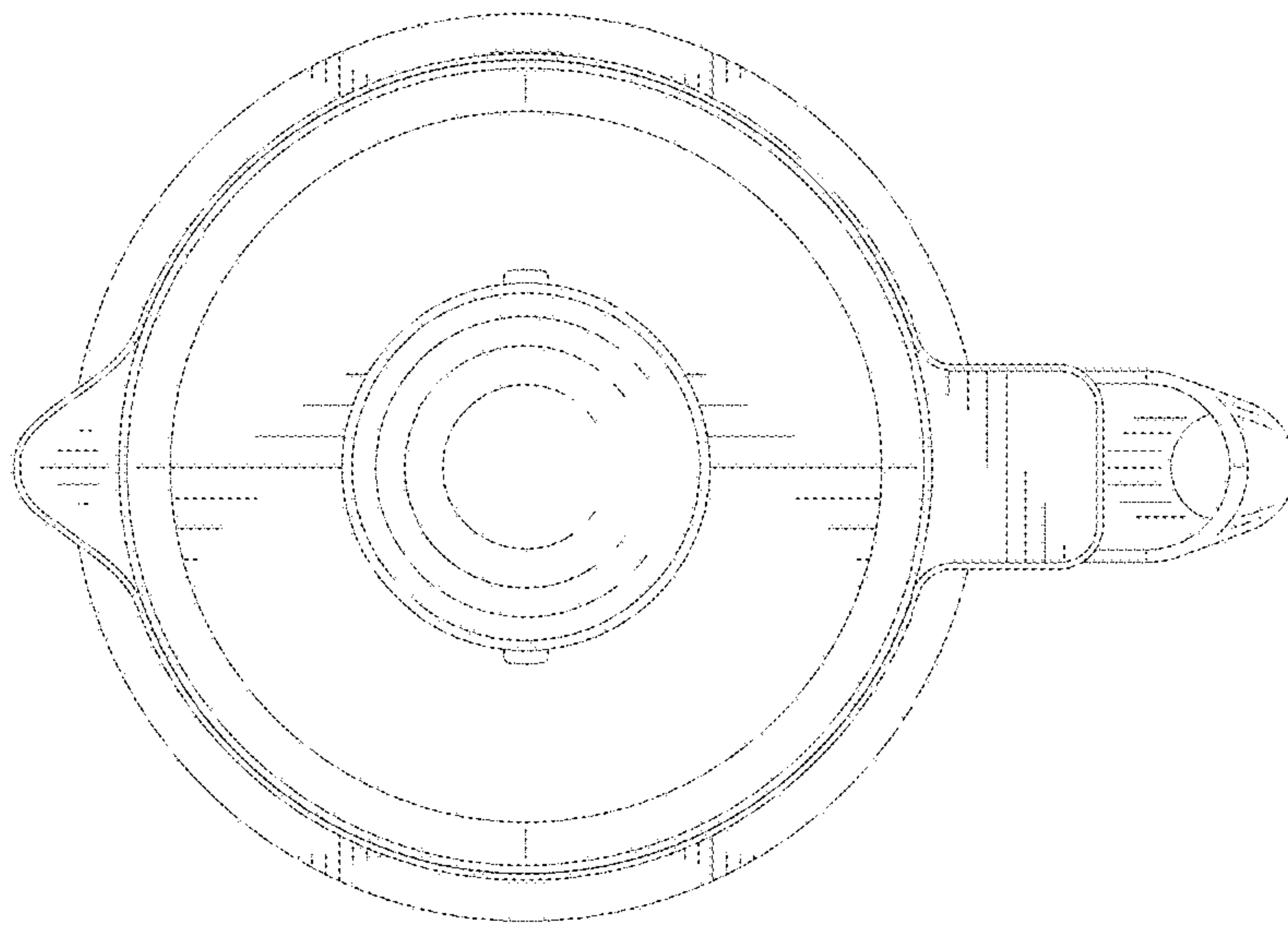


FIG. 6

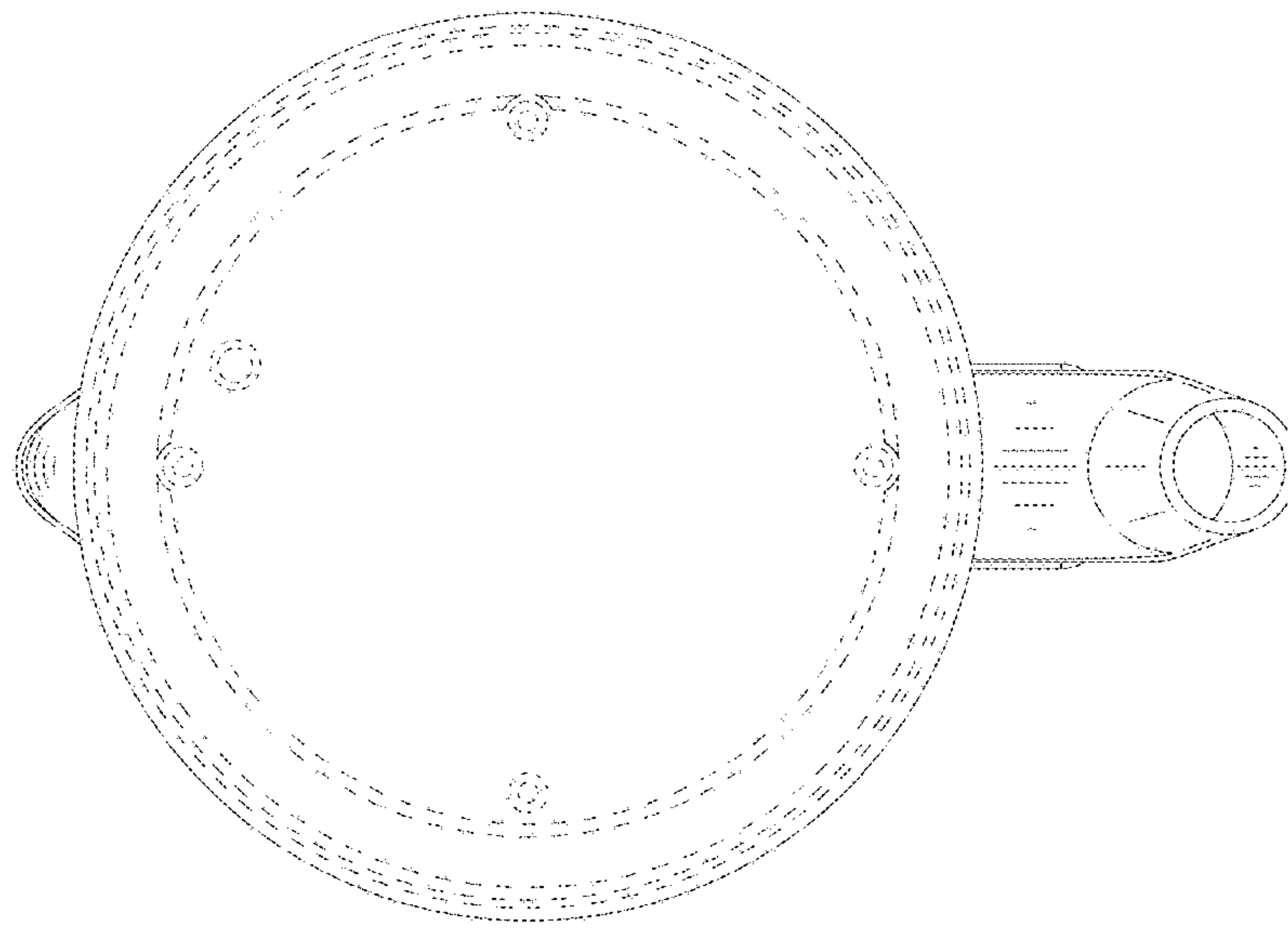


FIG. 7

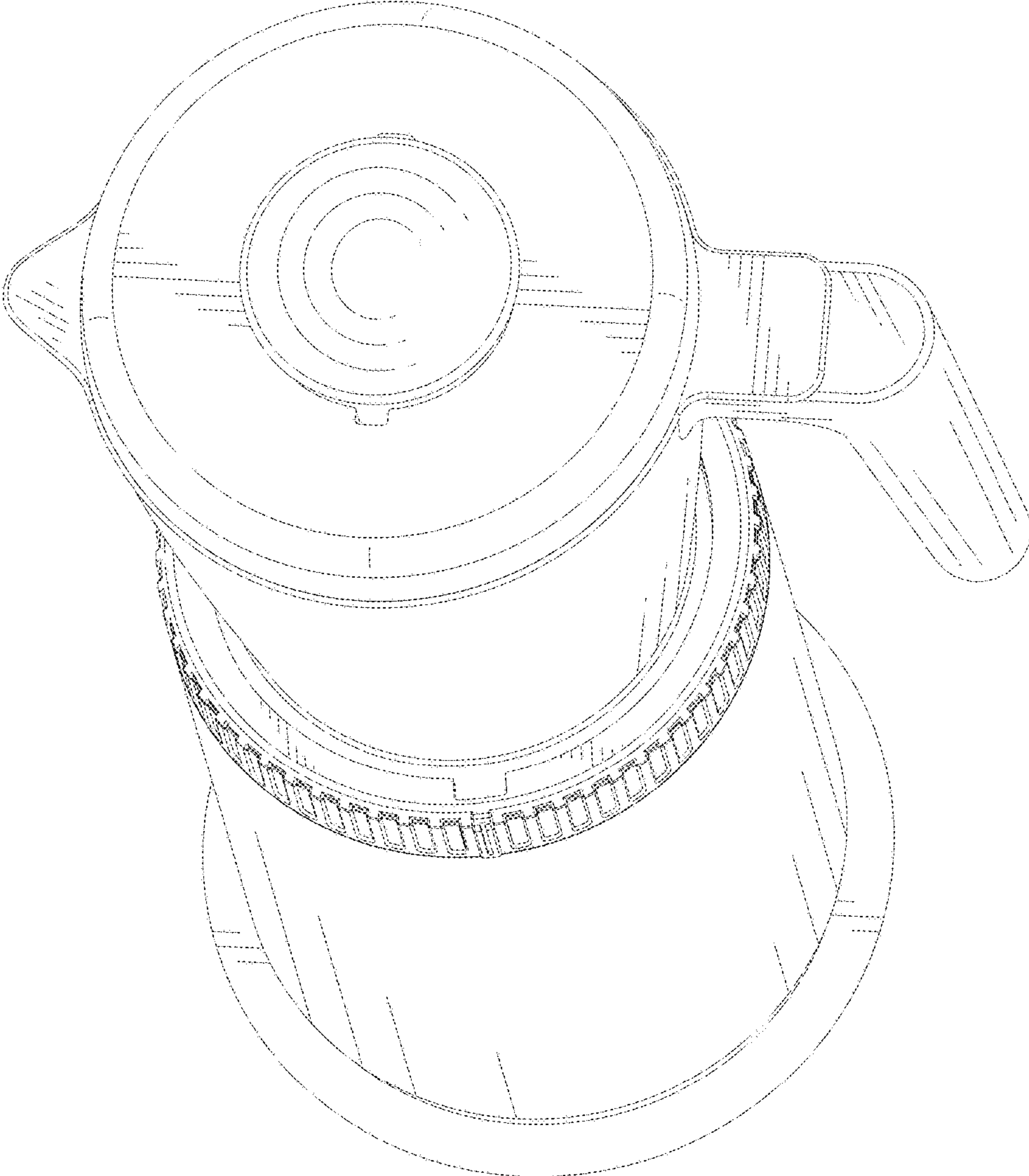


FIG. 8

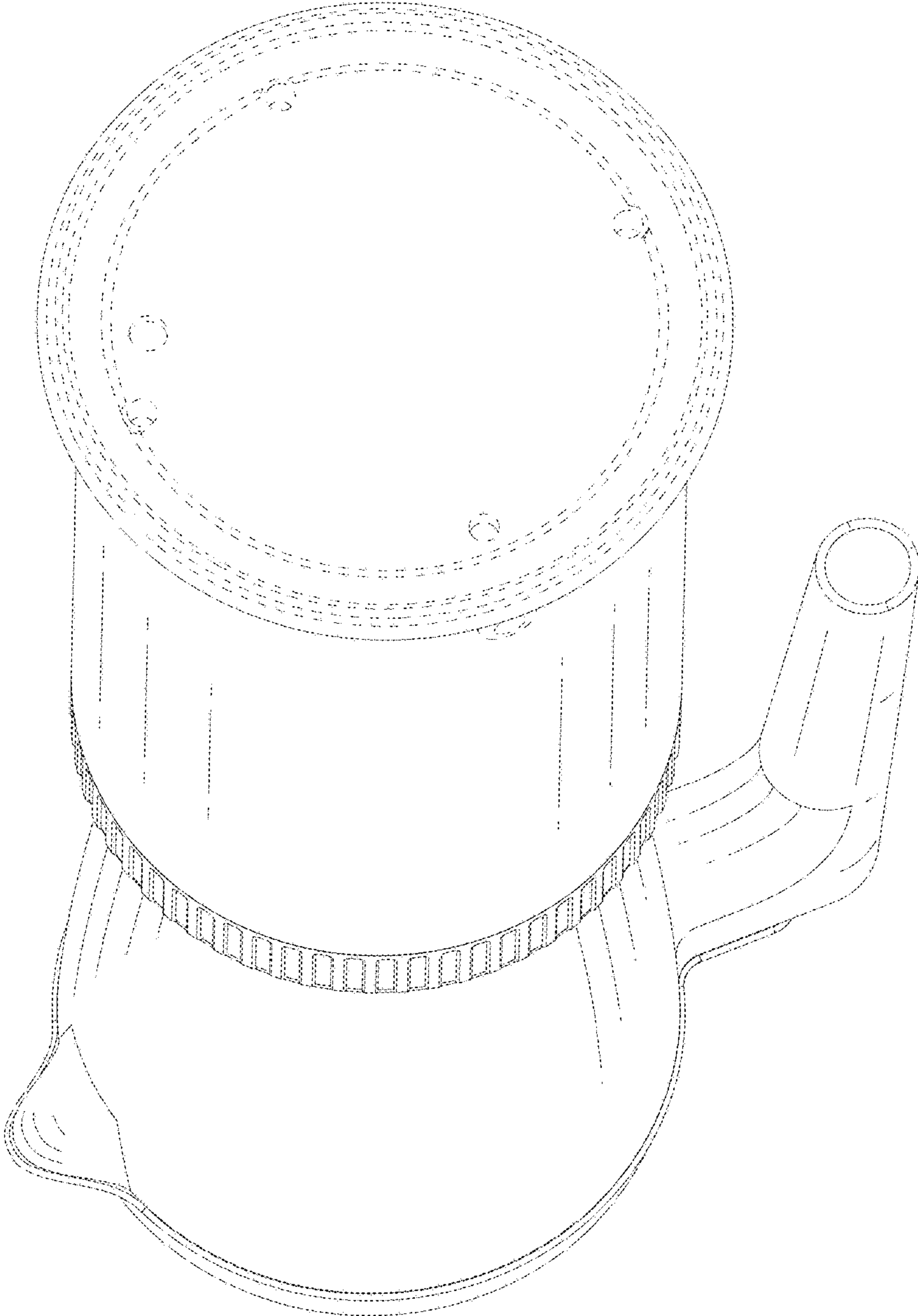


FIG. 9

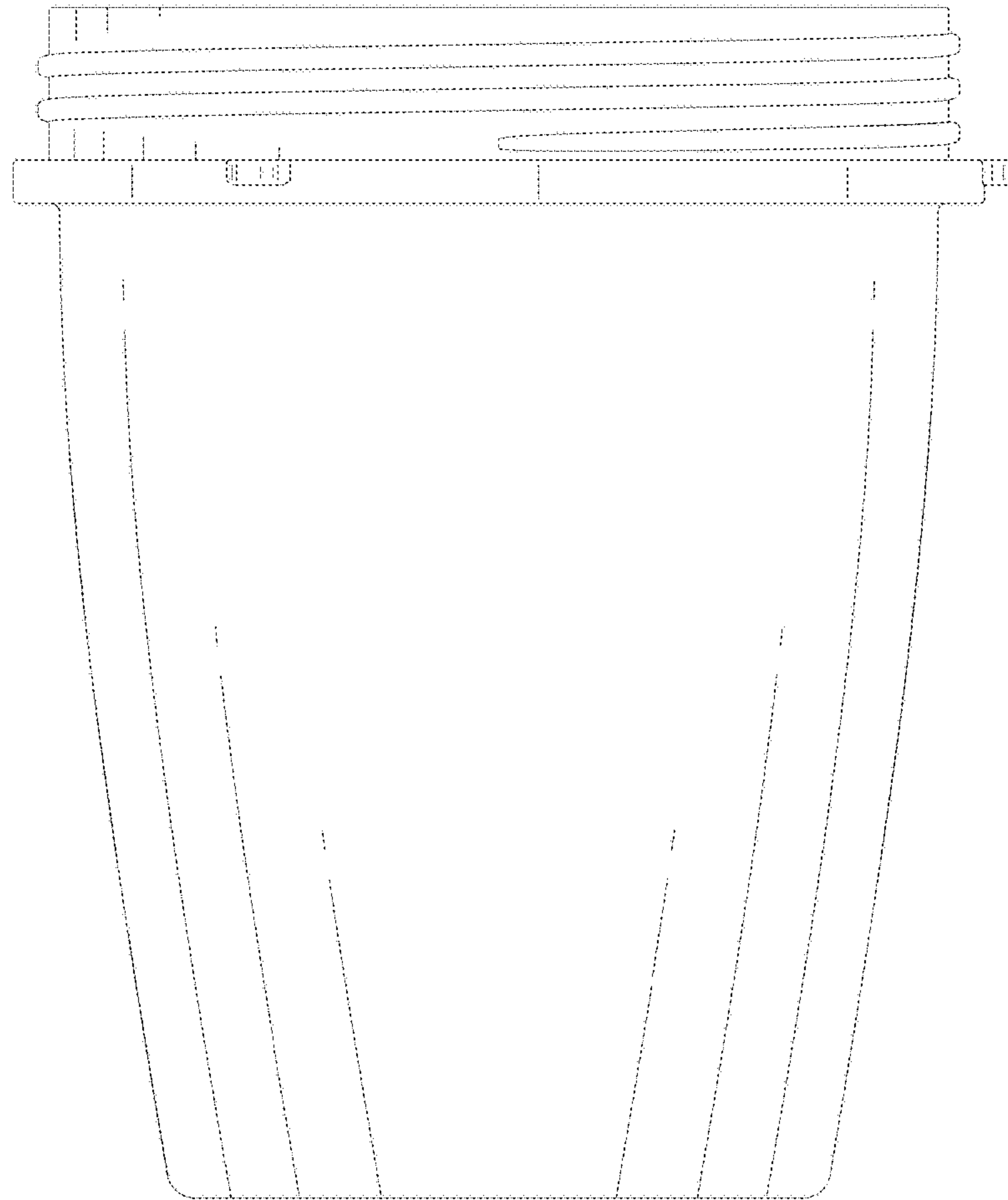


FIG.10

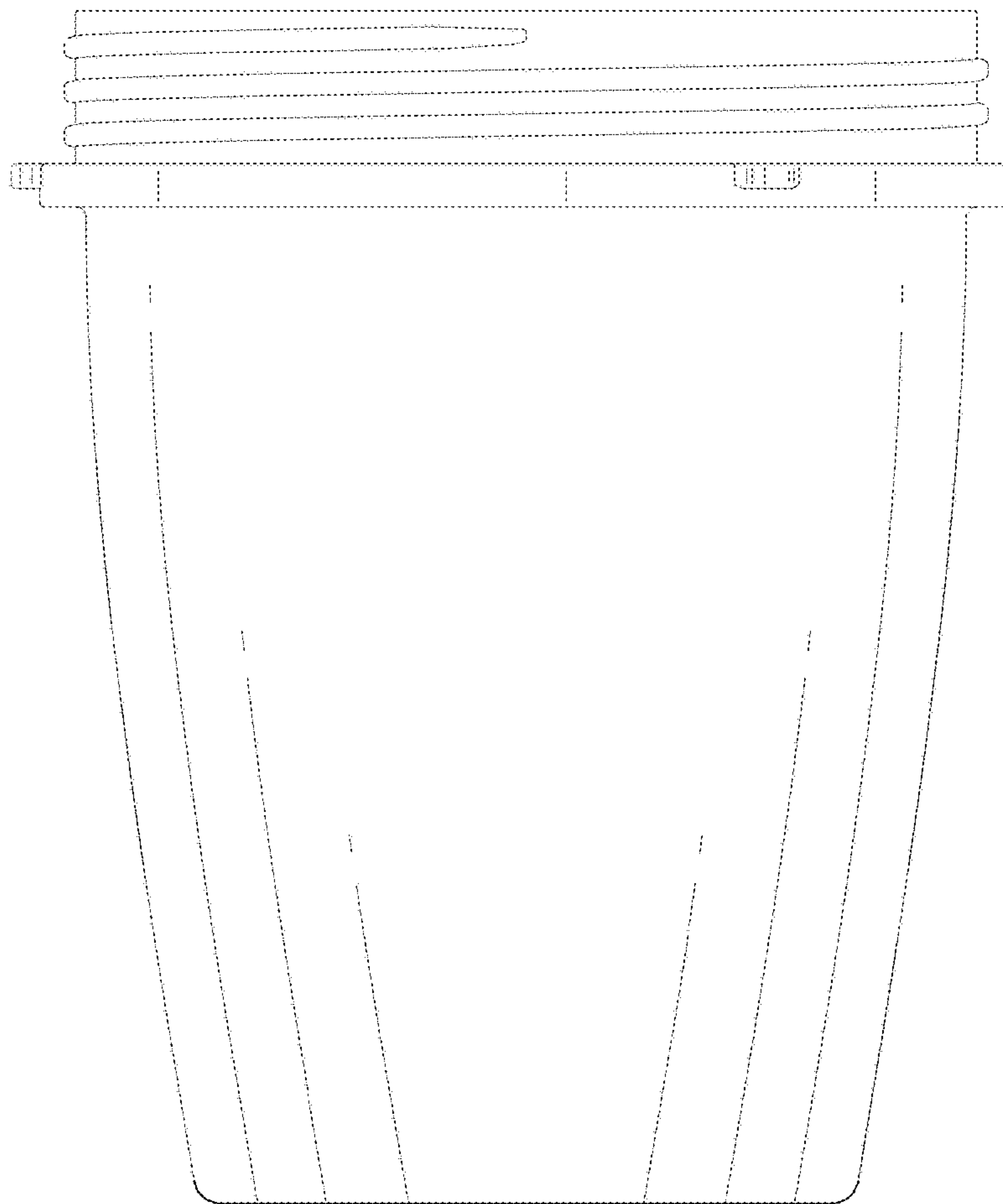


FIG. 11

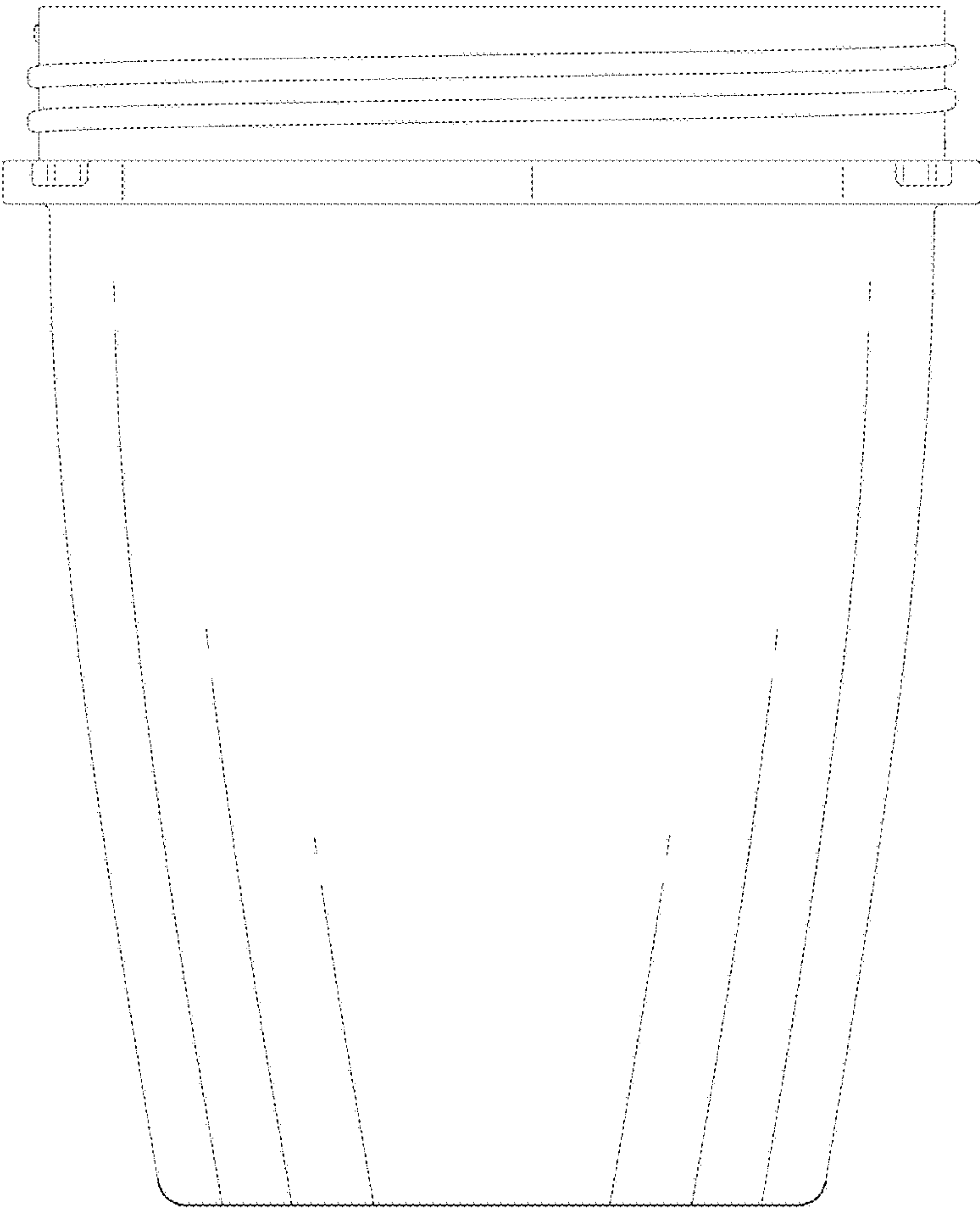


FIG.12

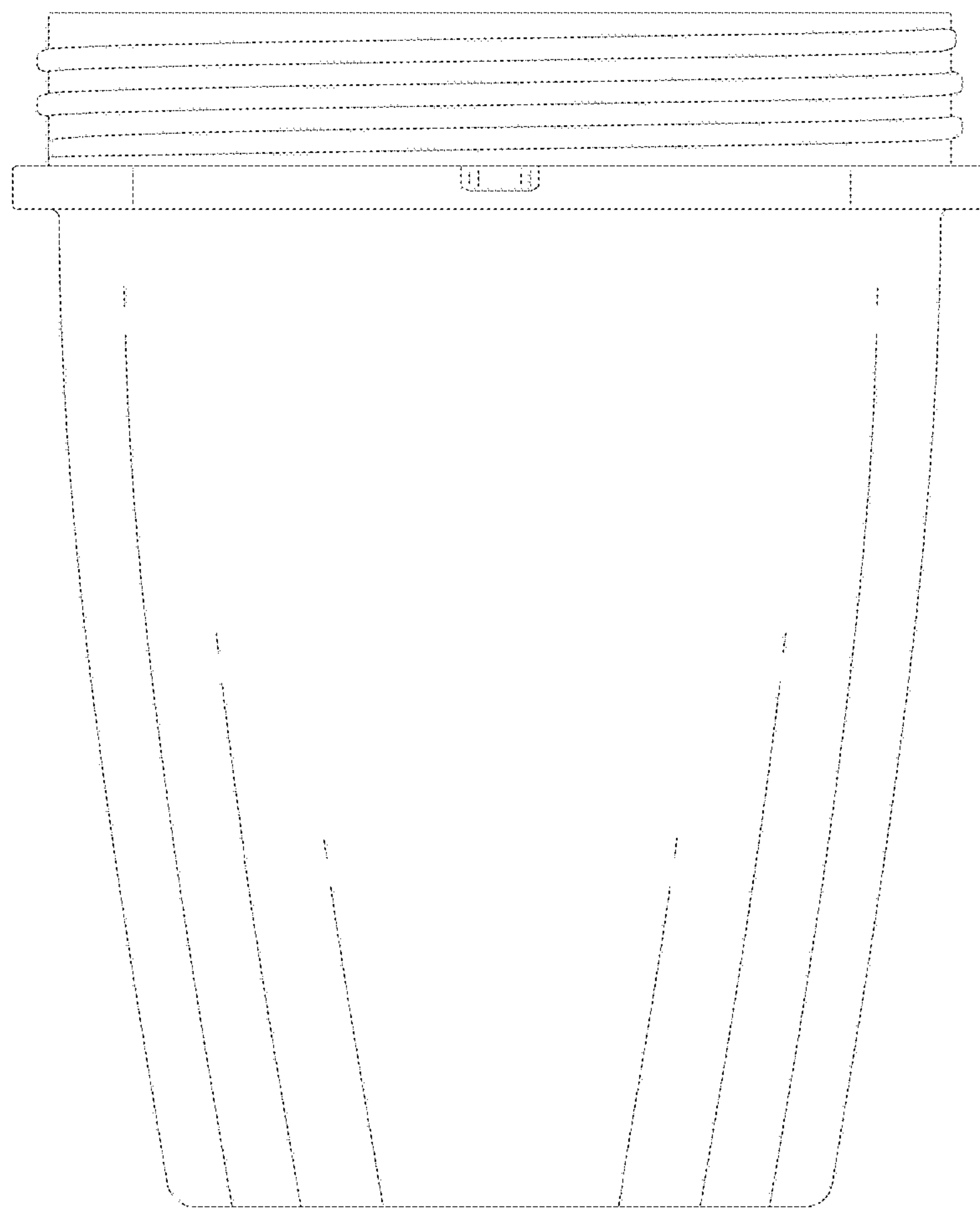


FIG. 13

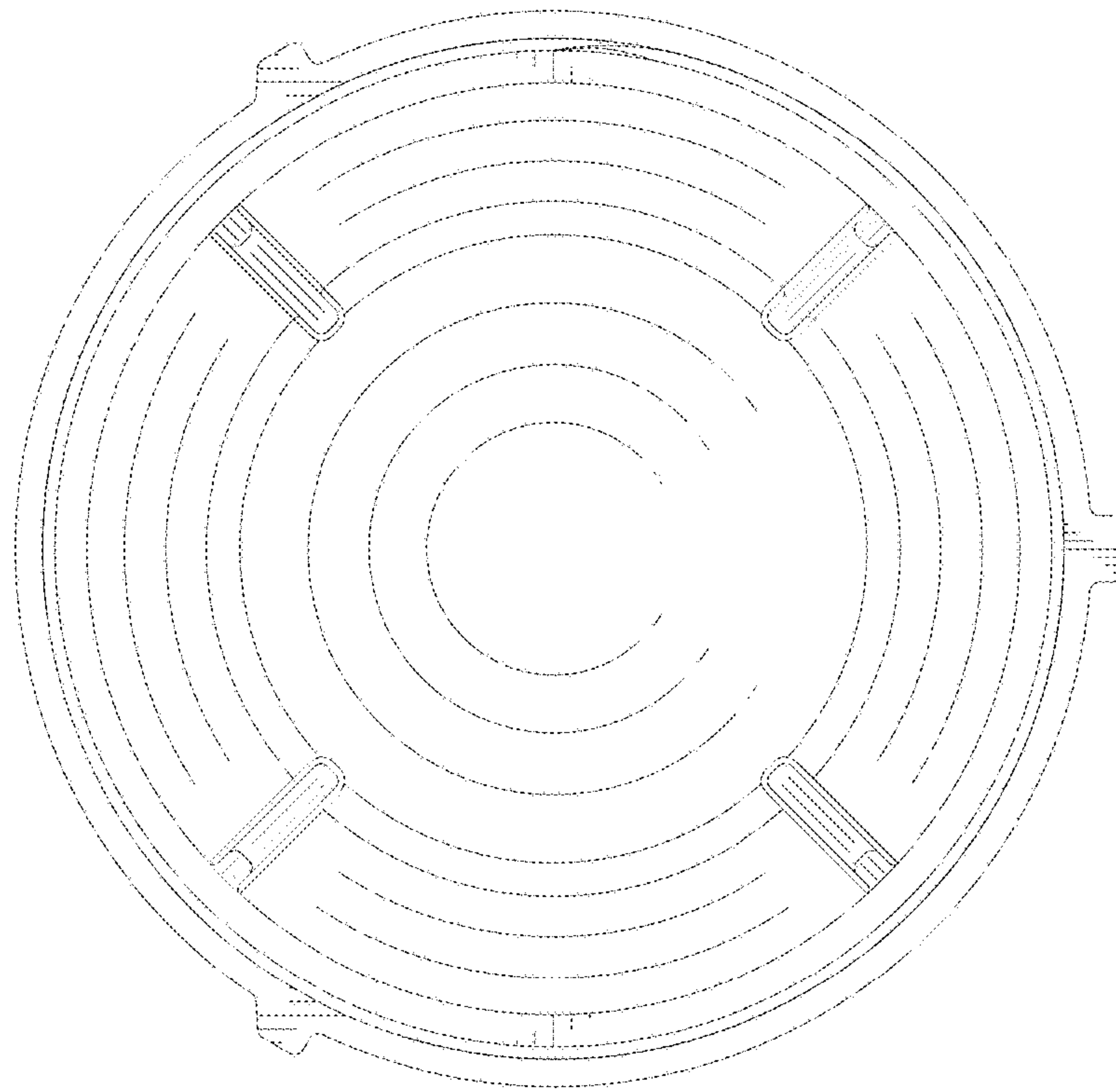


FIG.14

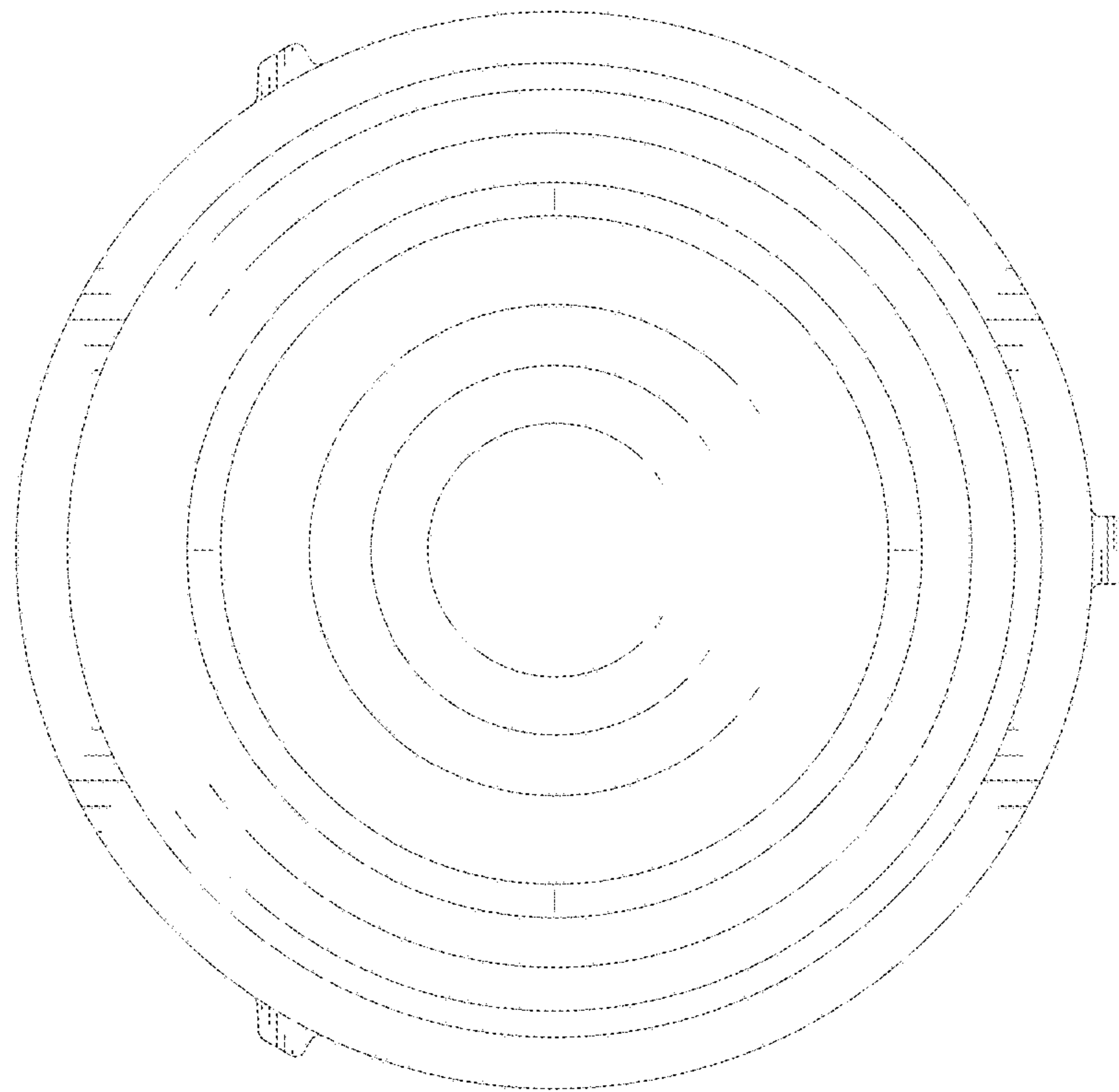


FIG.15

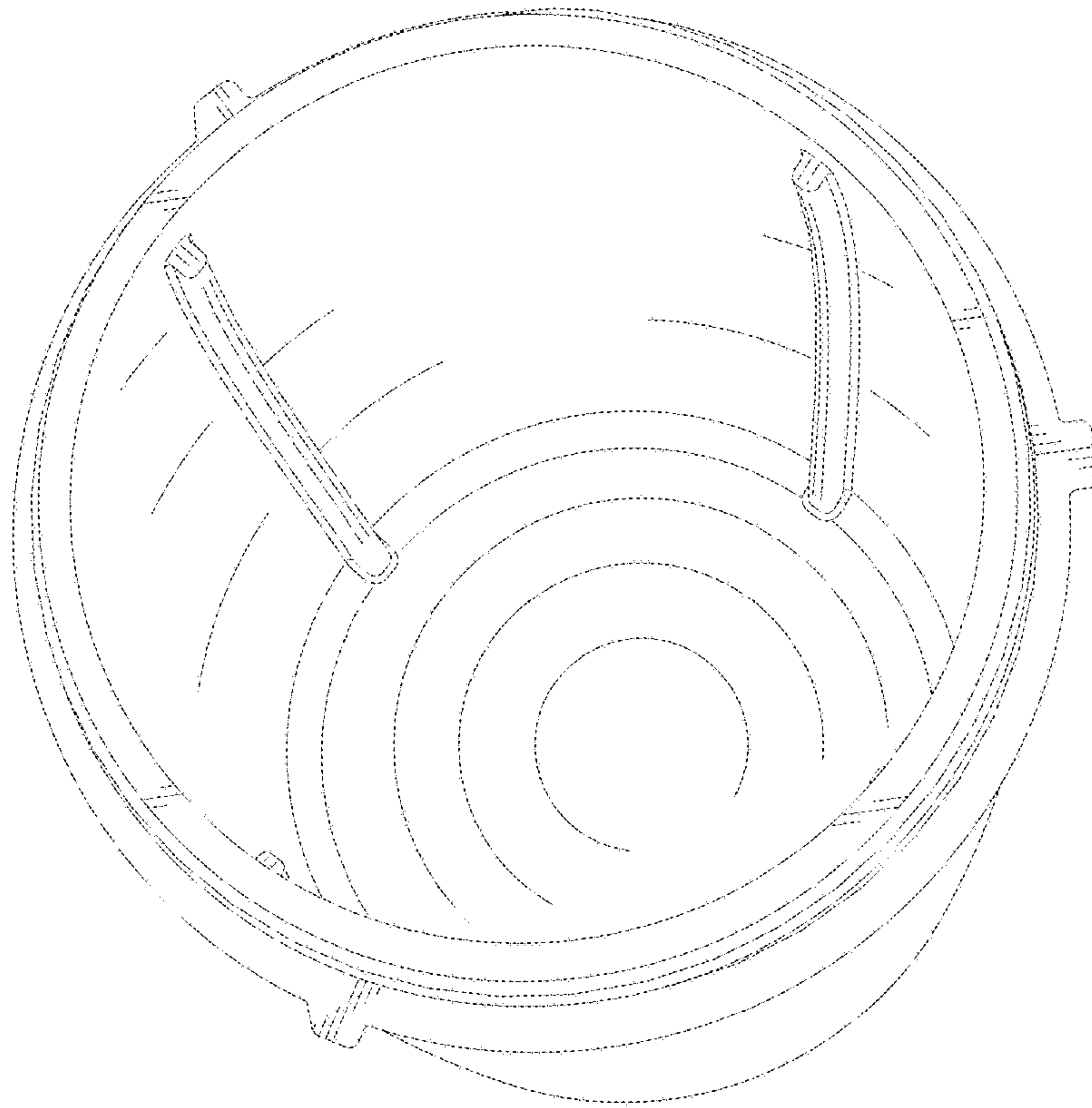


FIG.16

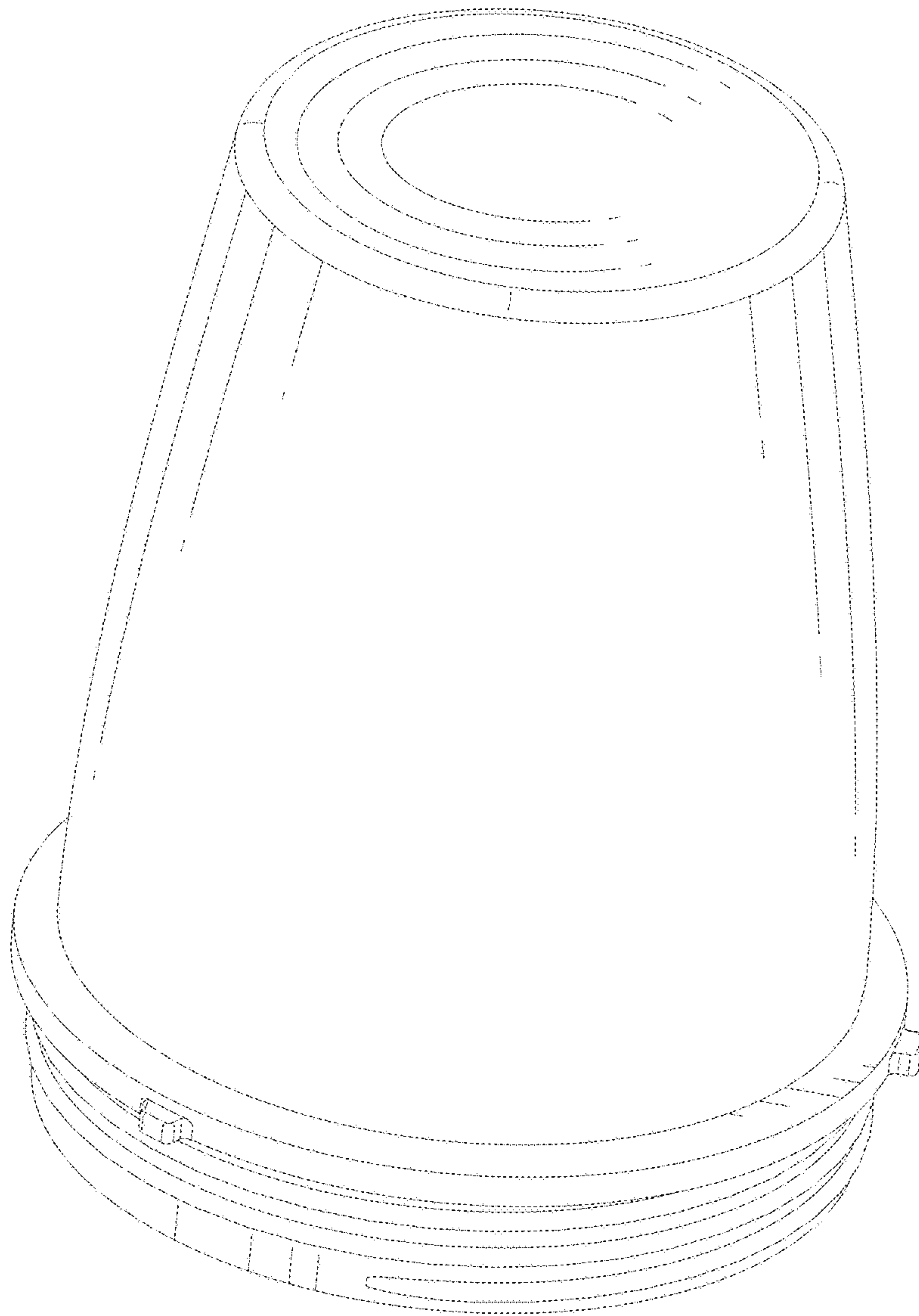


FIG.17

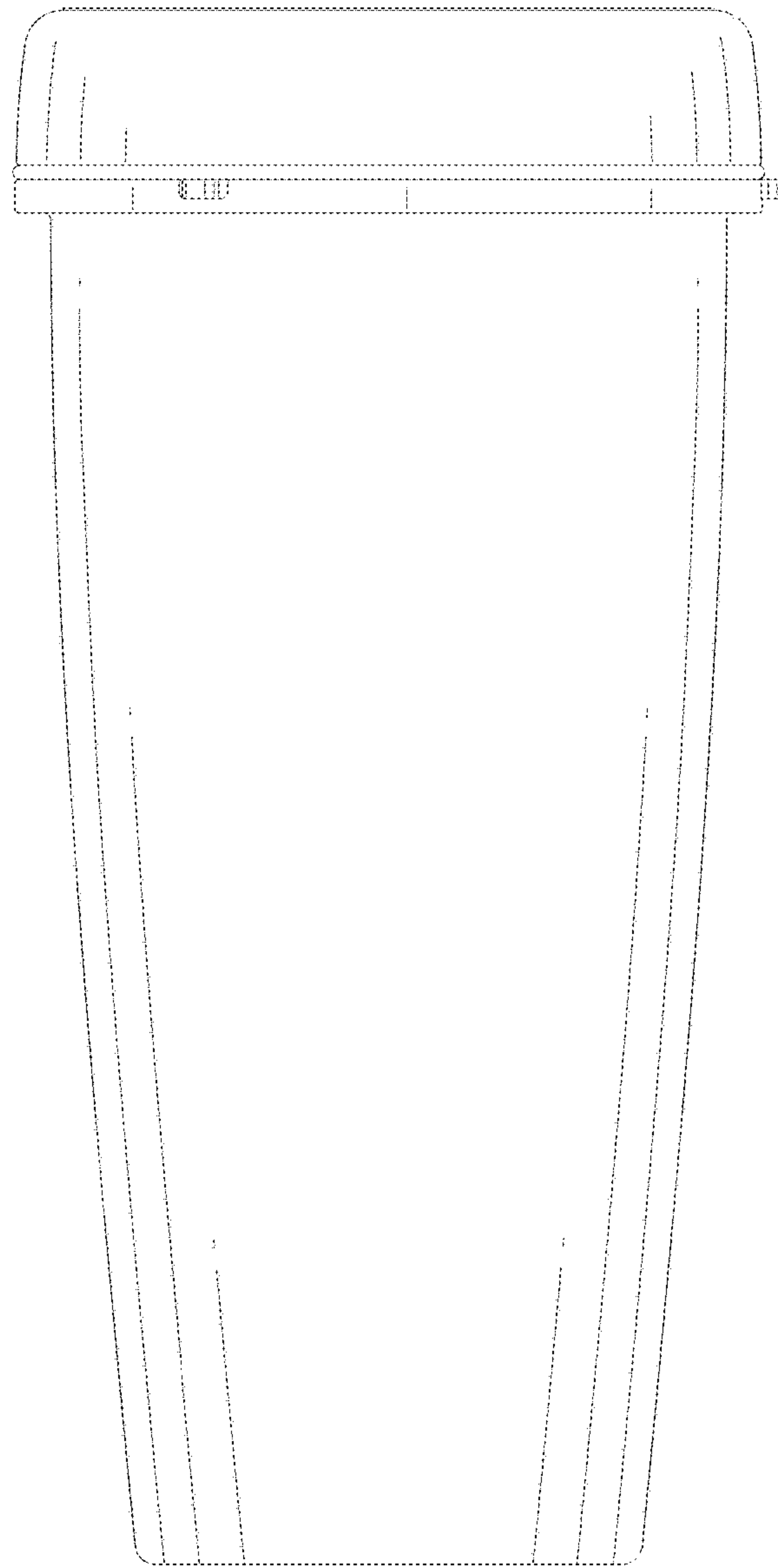


FIG. 18

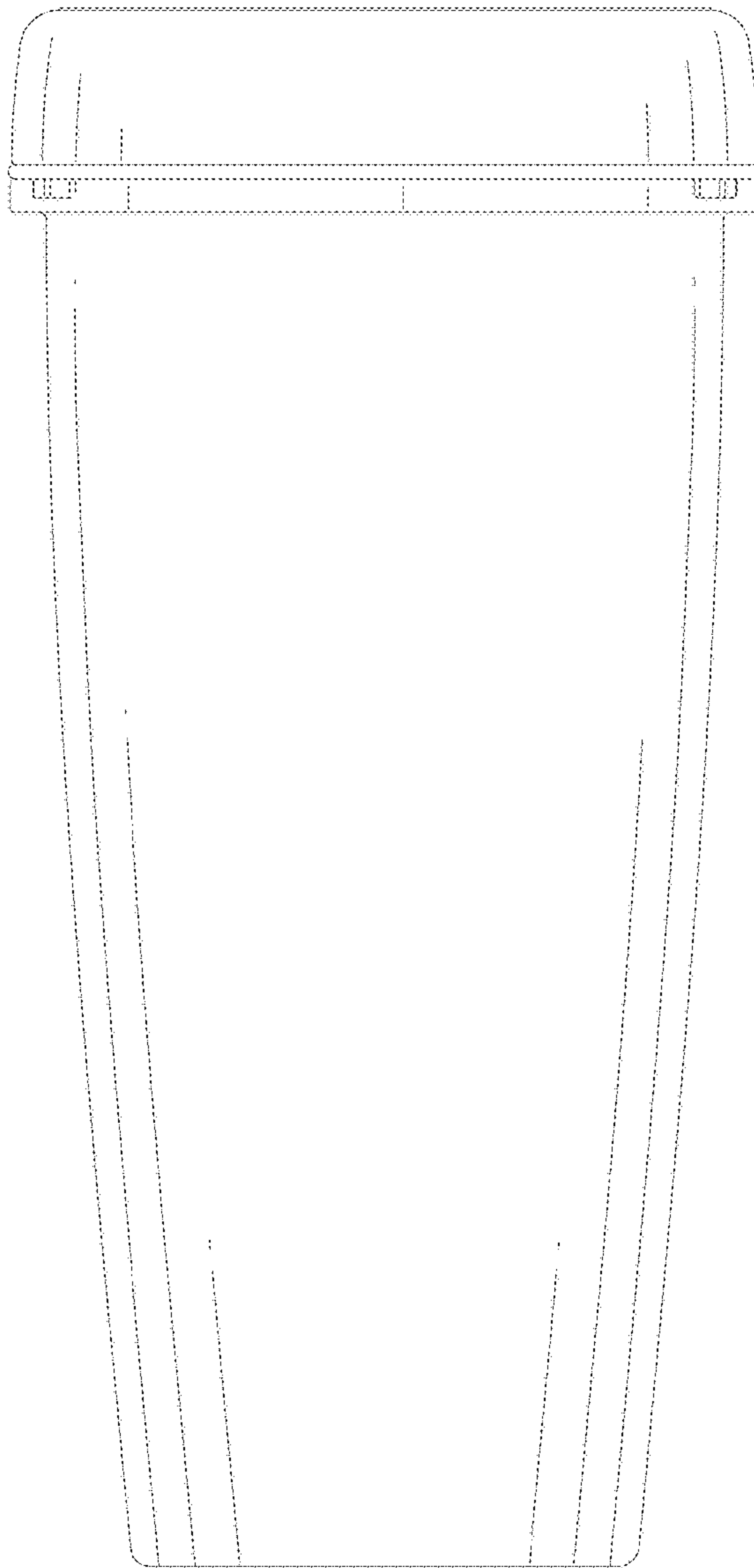


FIG.19

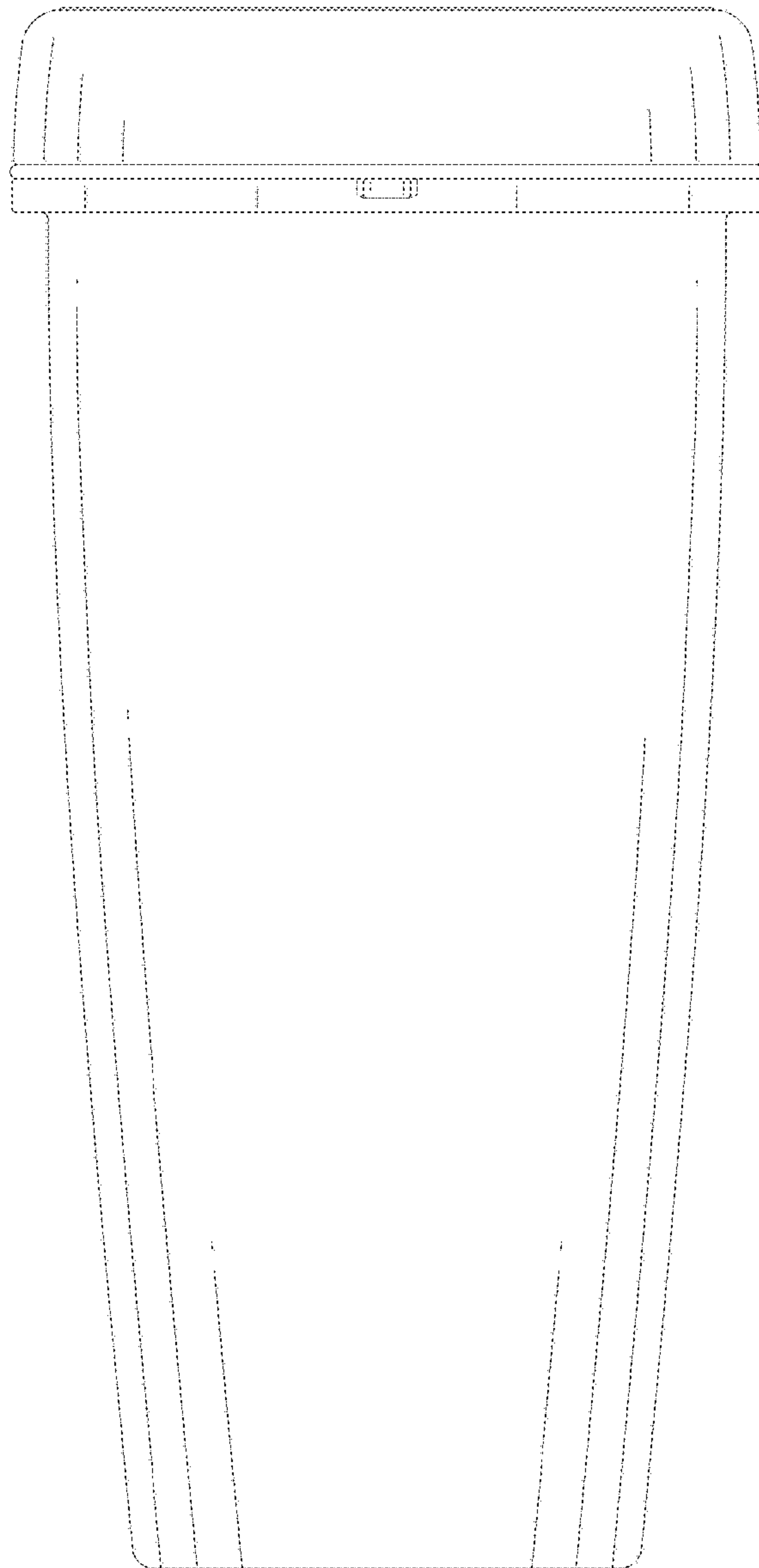


FIG. 20

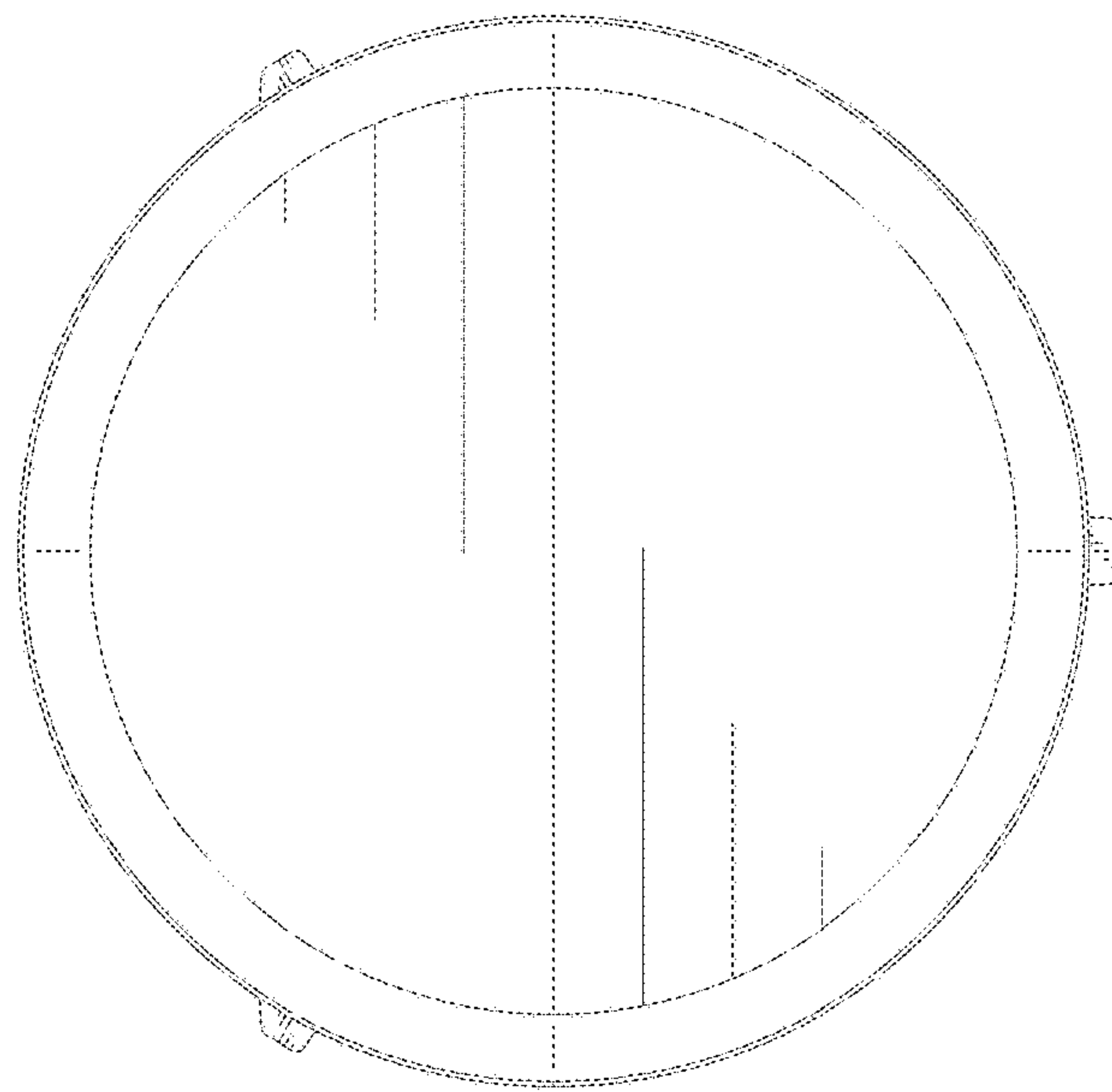


FIG. 21

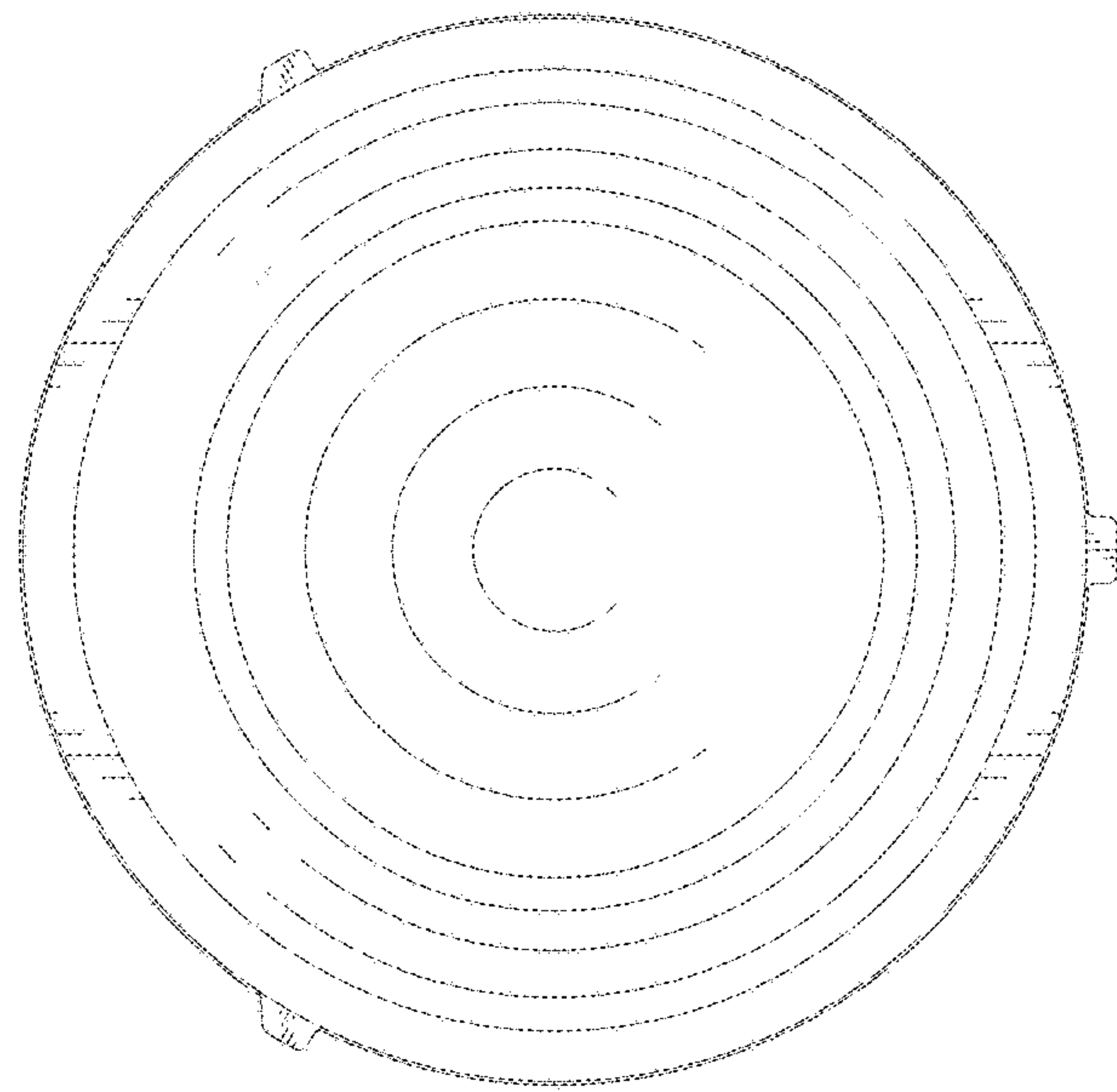


FIG. 22

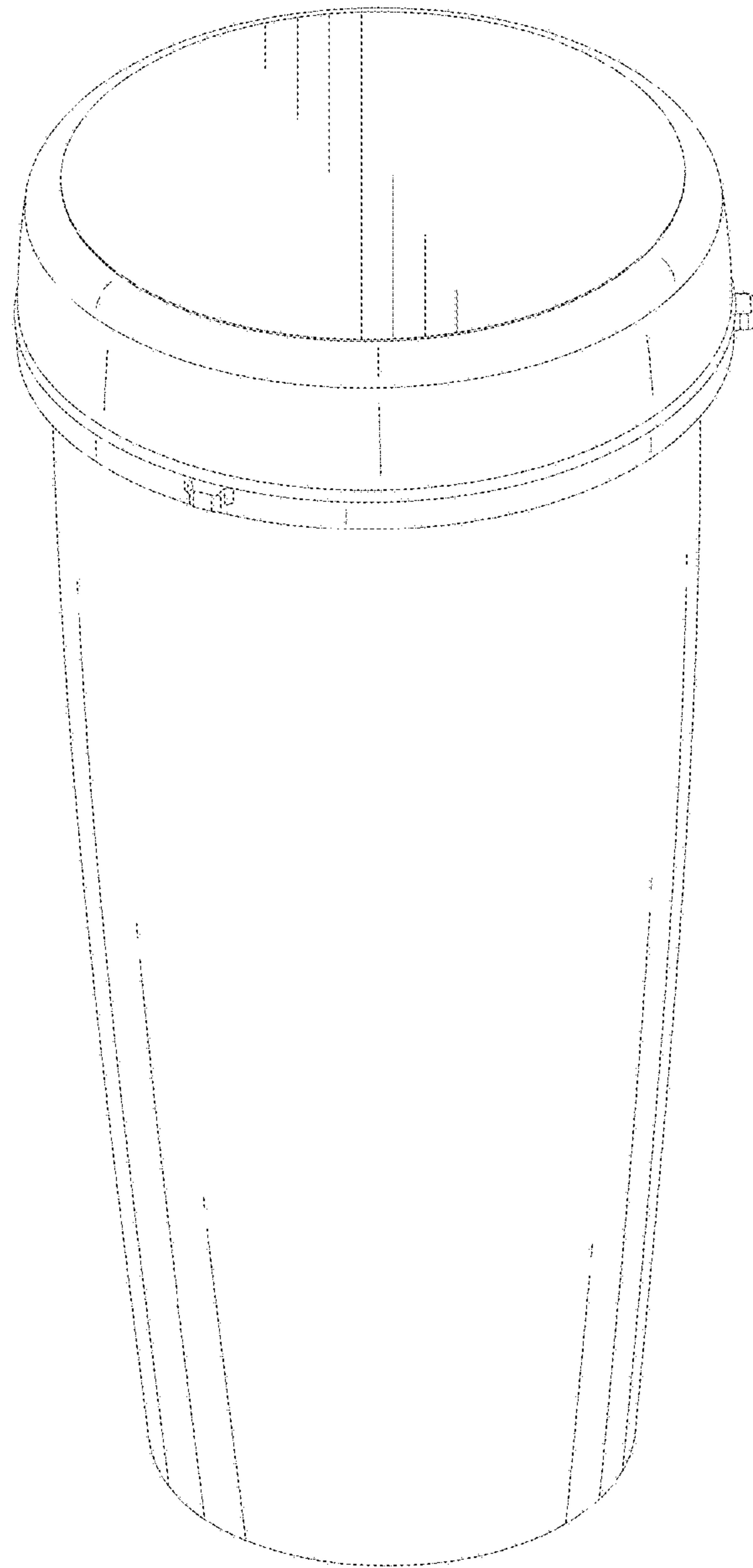


FIG.23

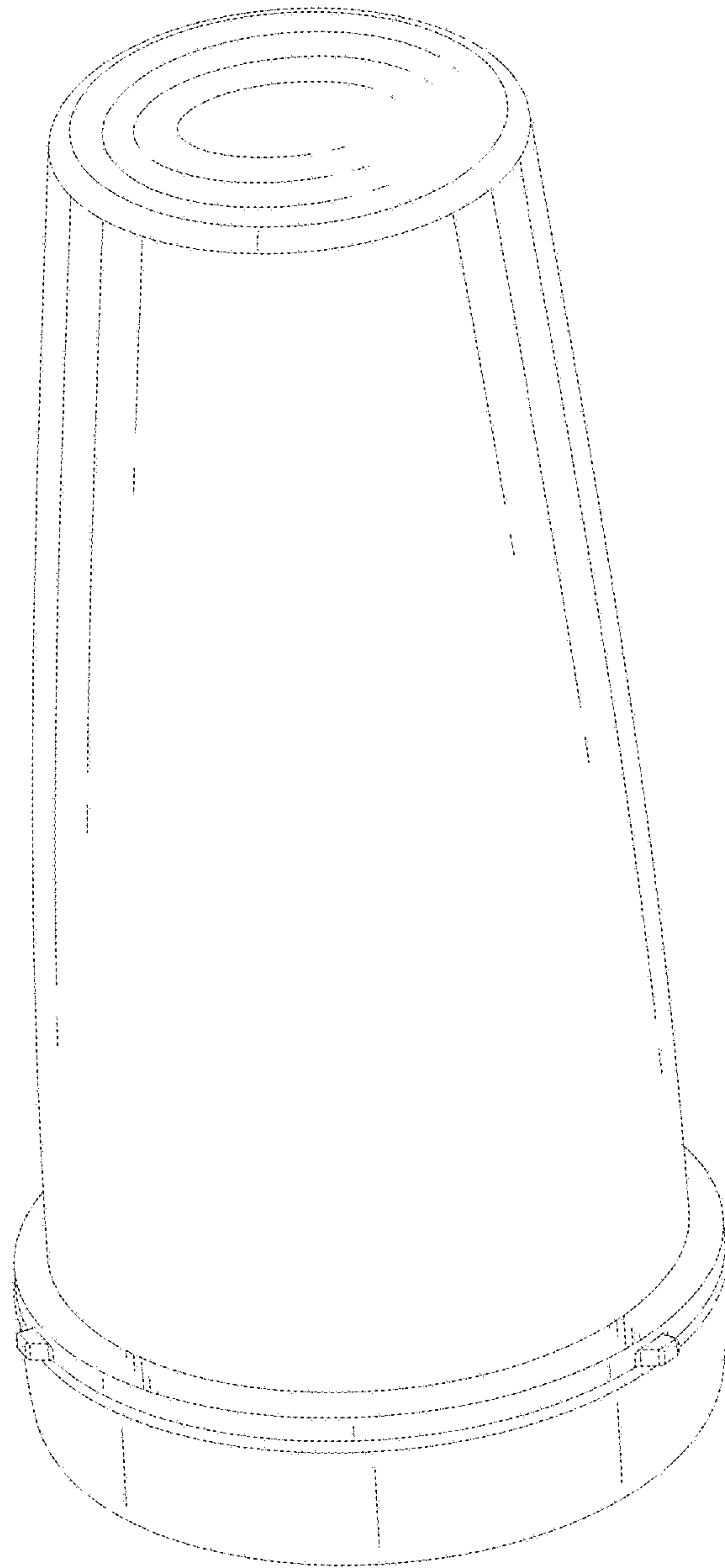


FIG. 24

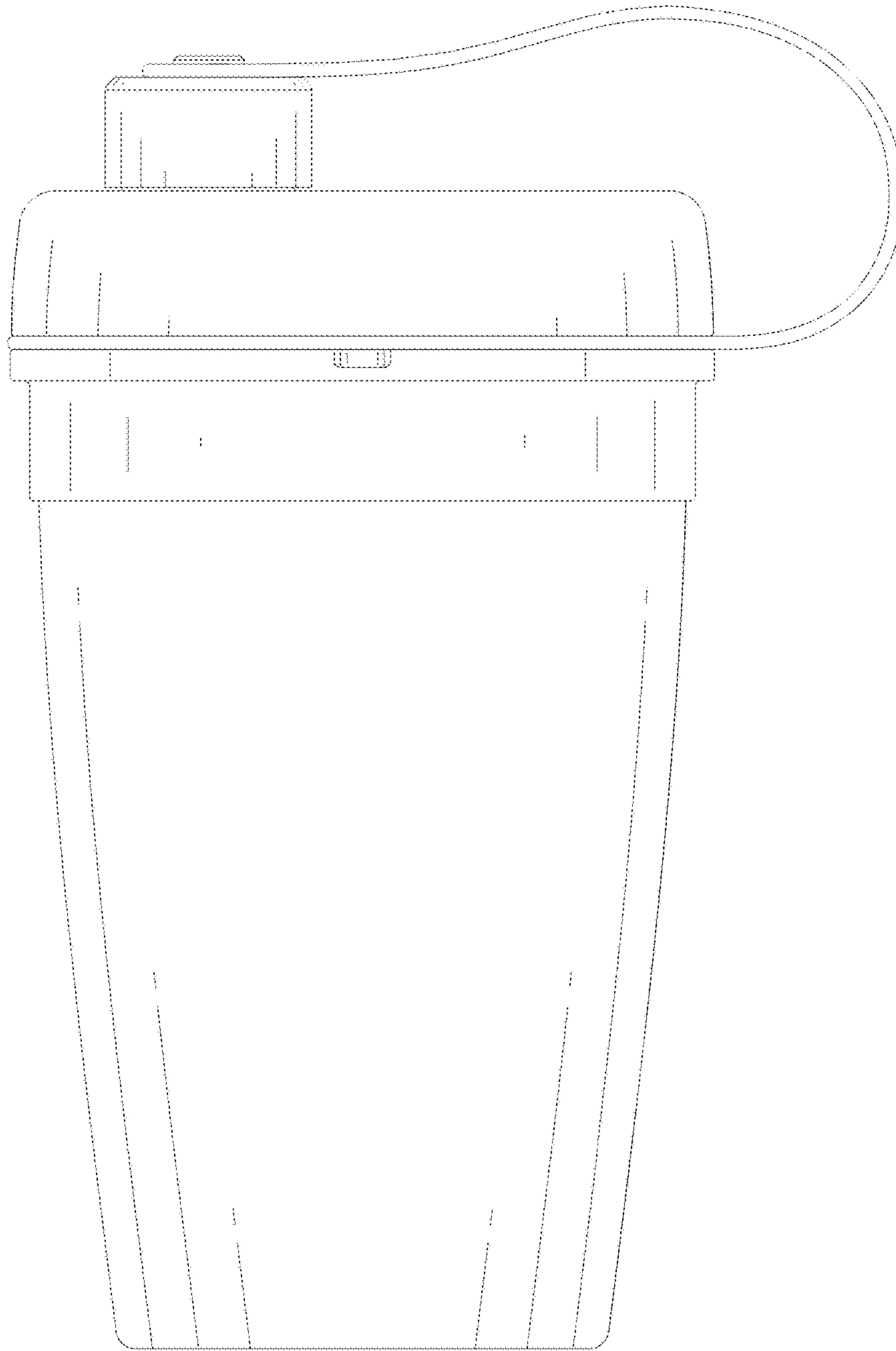


FIG. 25

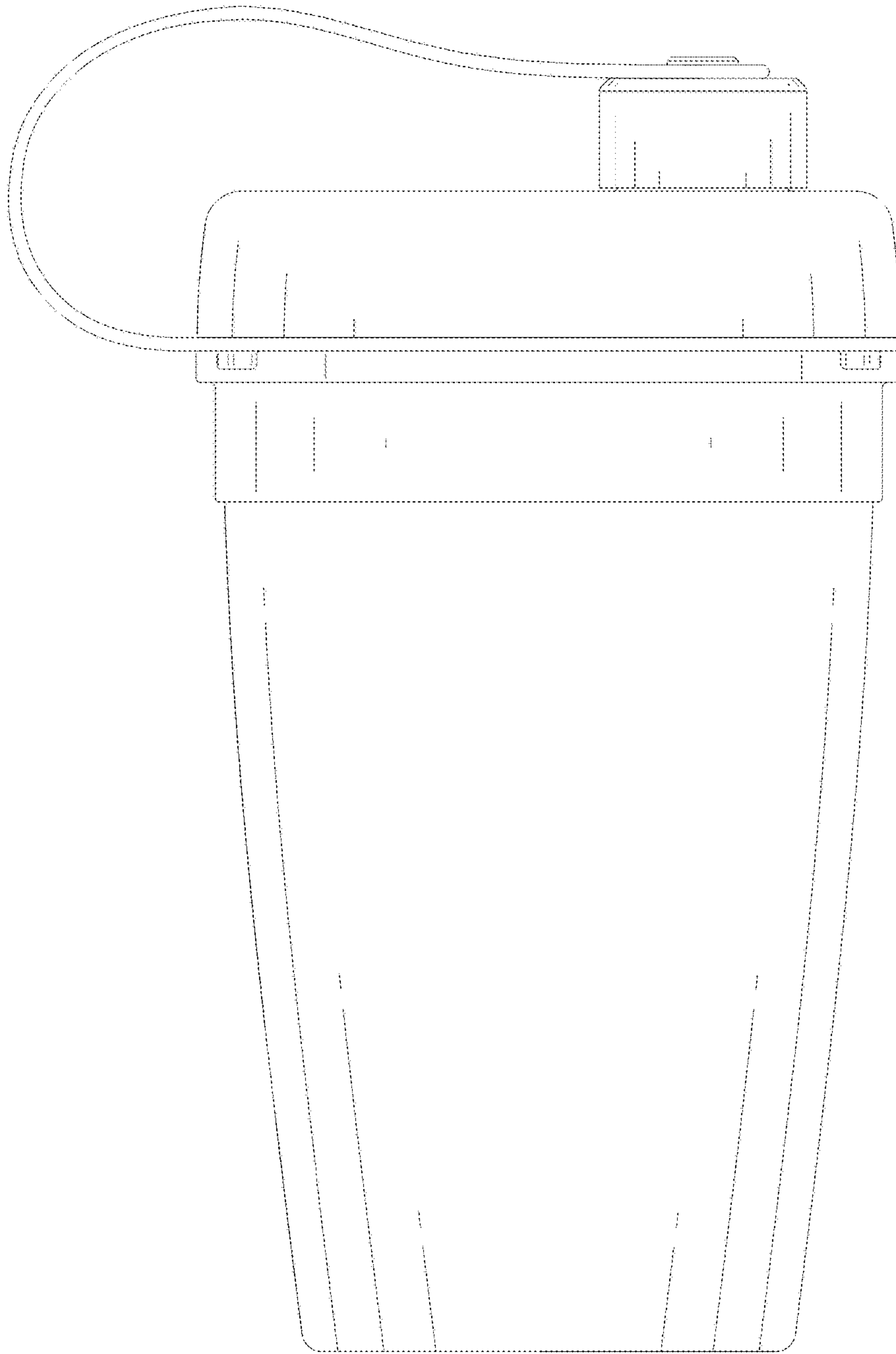


FIG.26

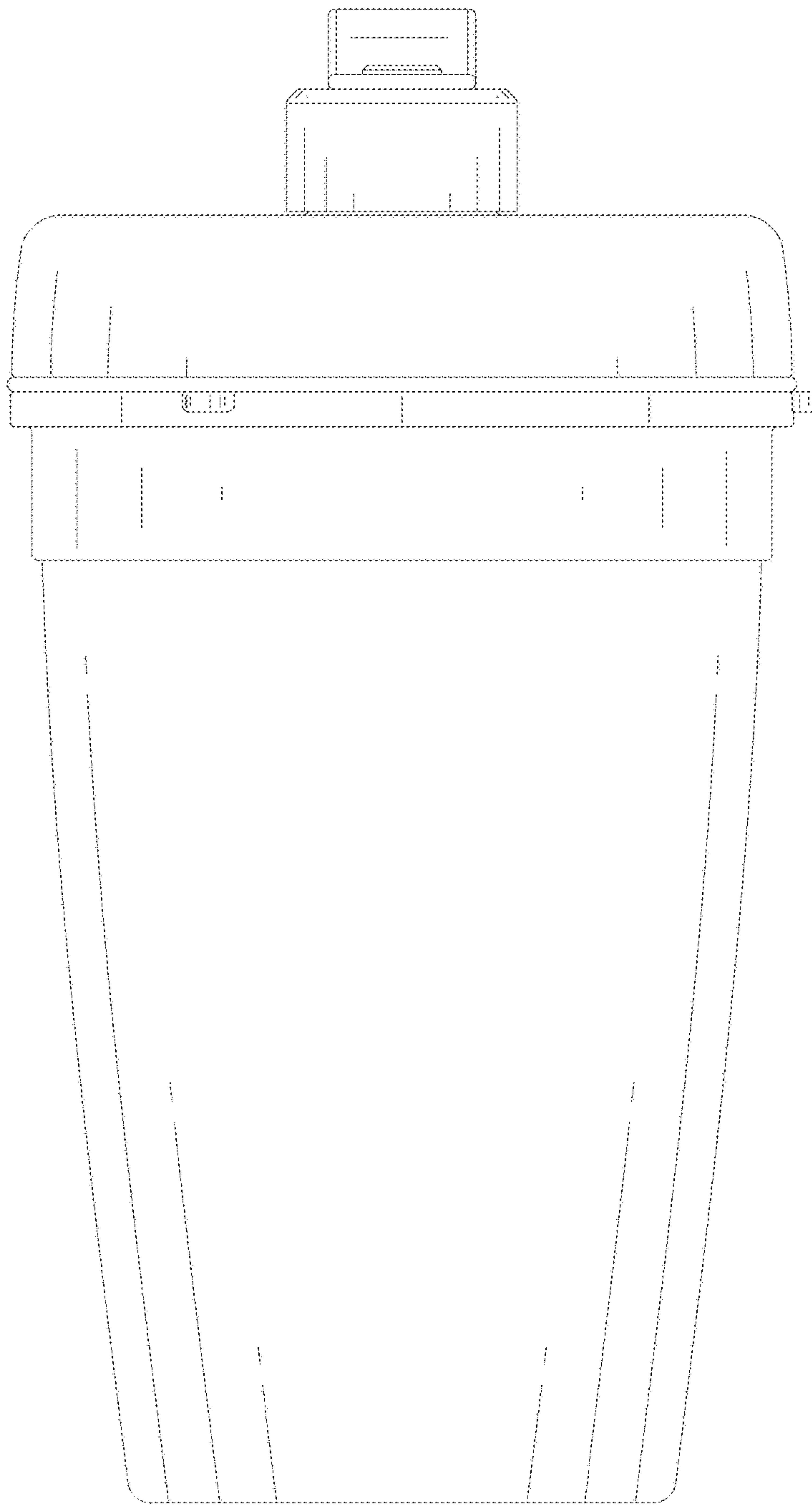


FIG. 27

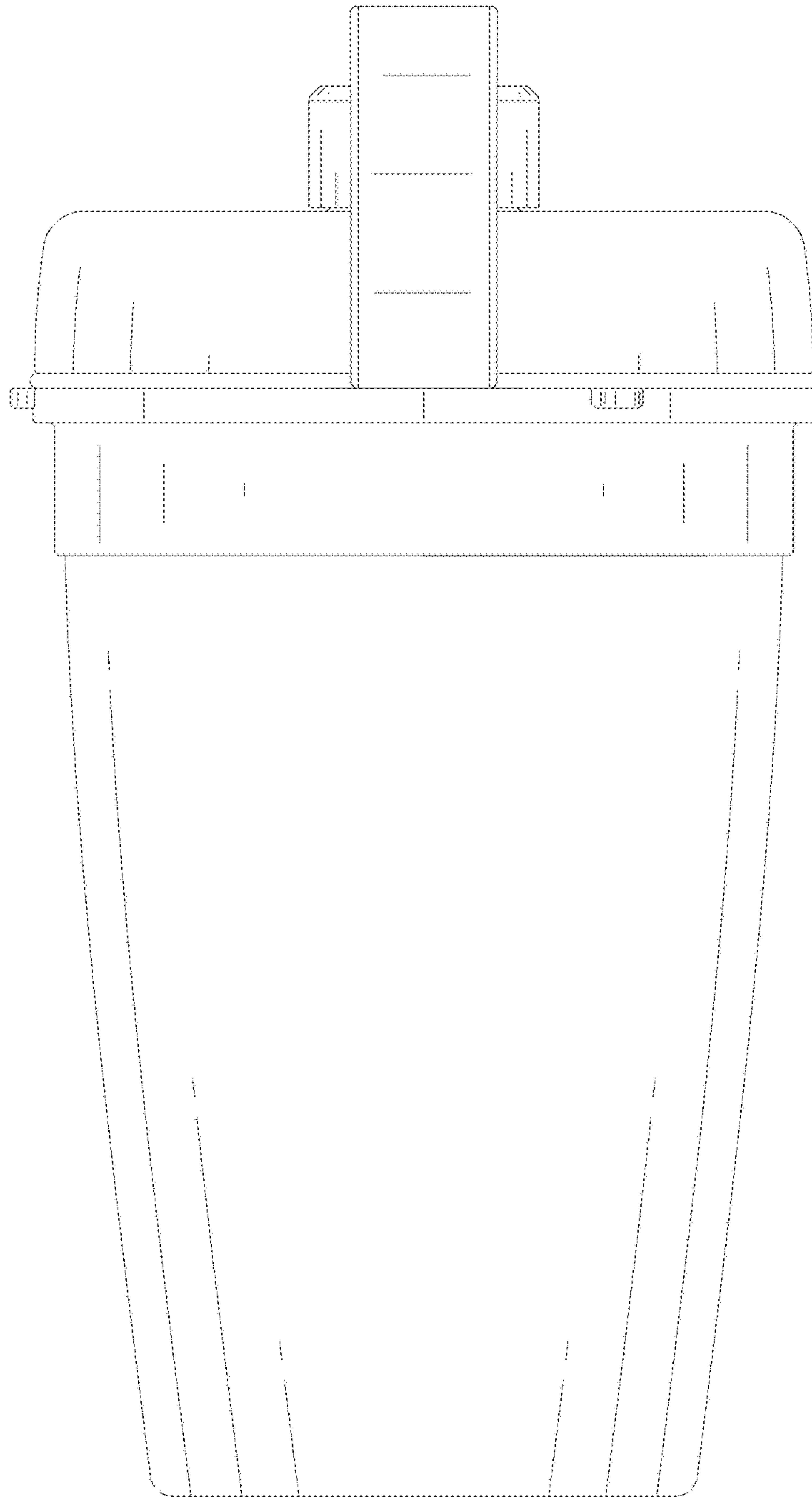


FIG.28

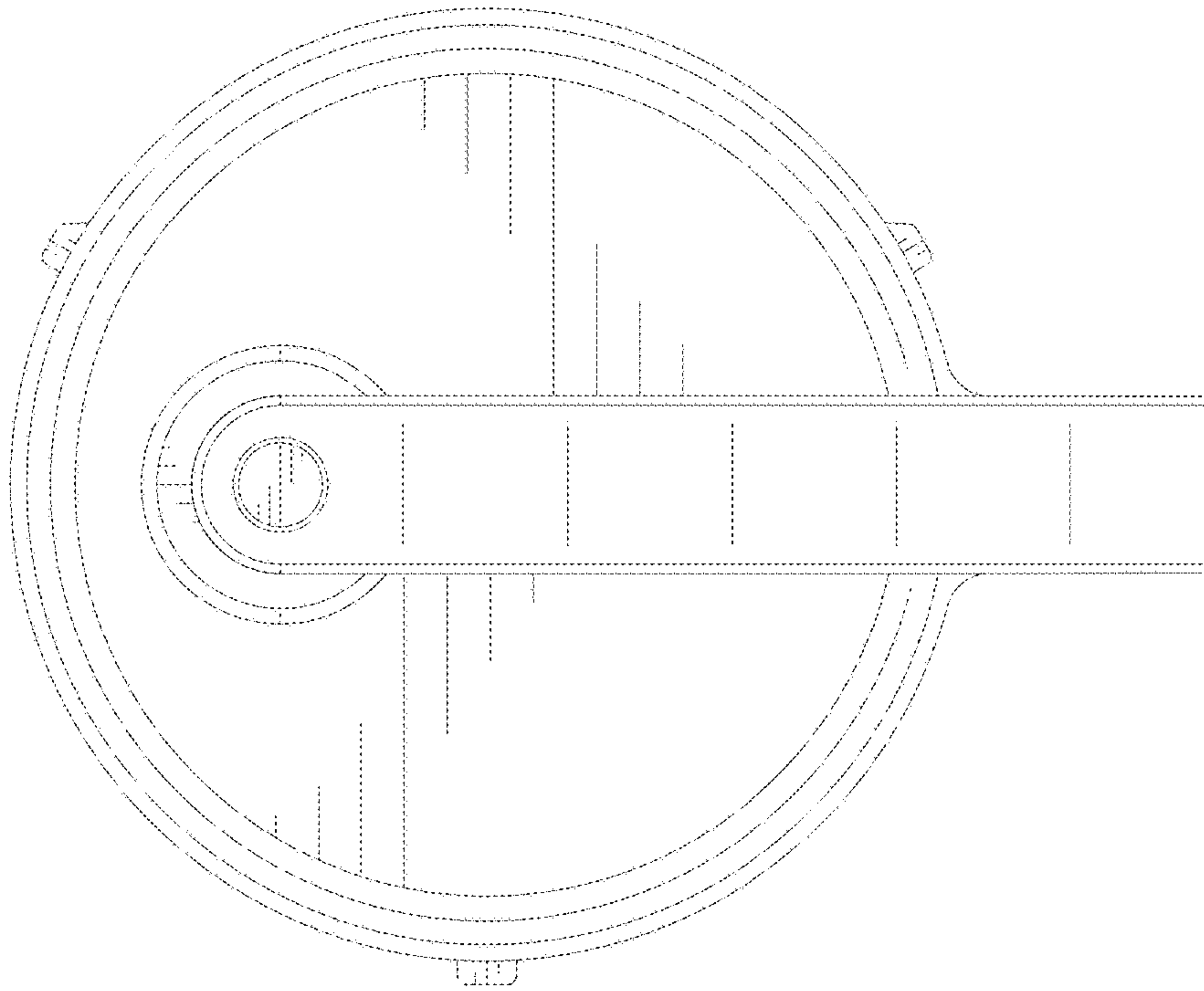


FIG. 29

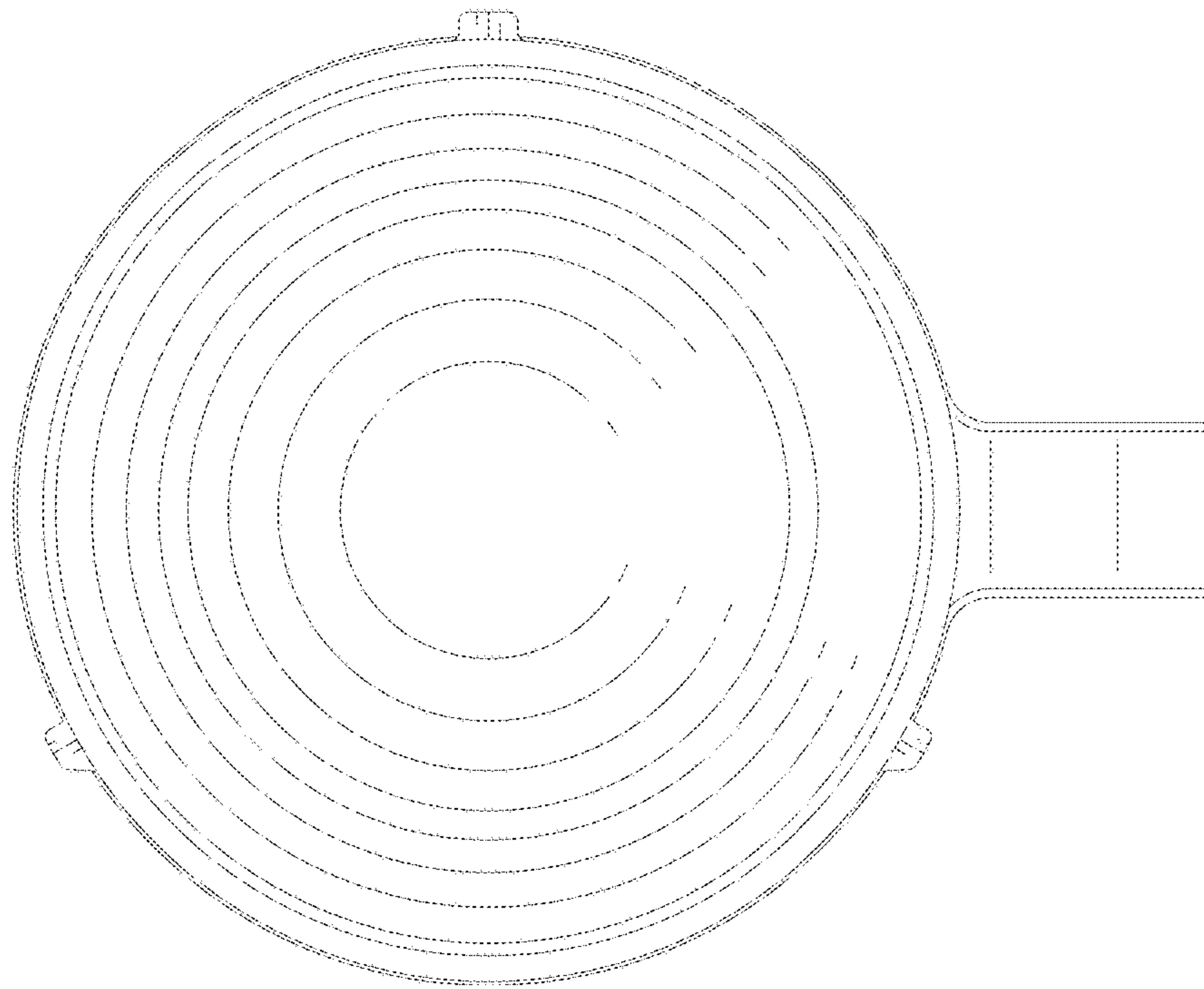


FIG. 30

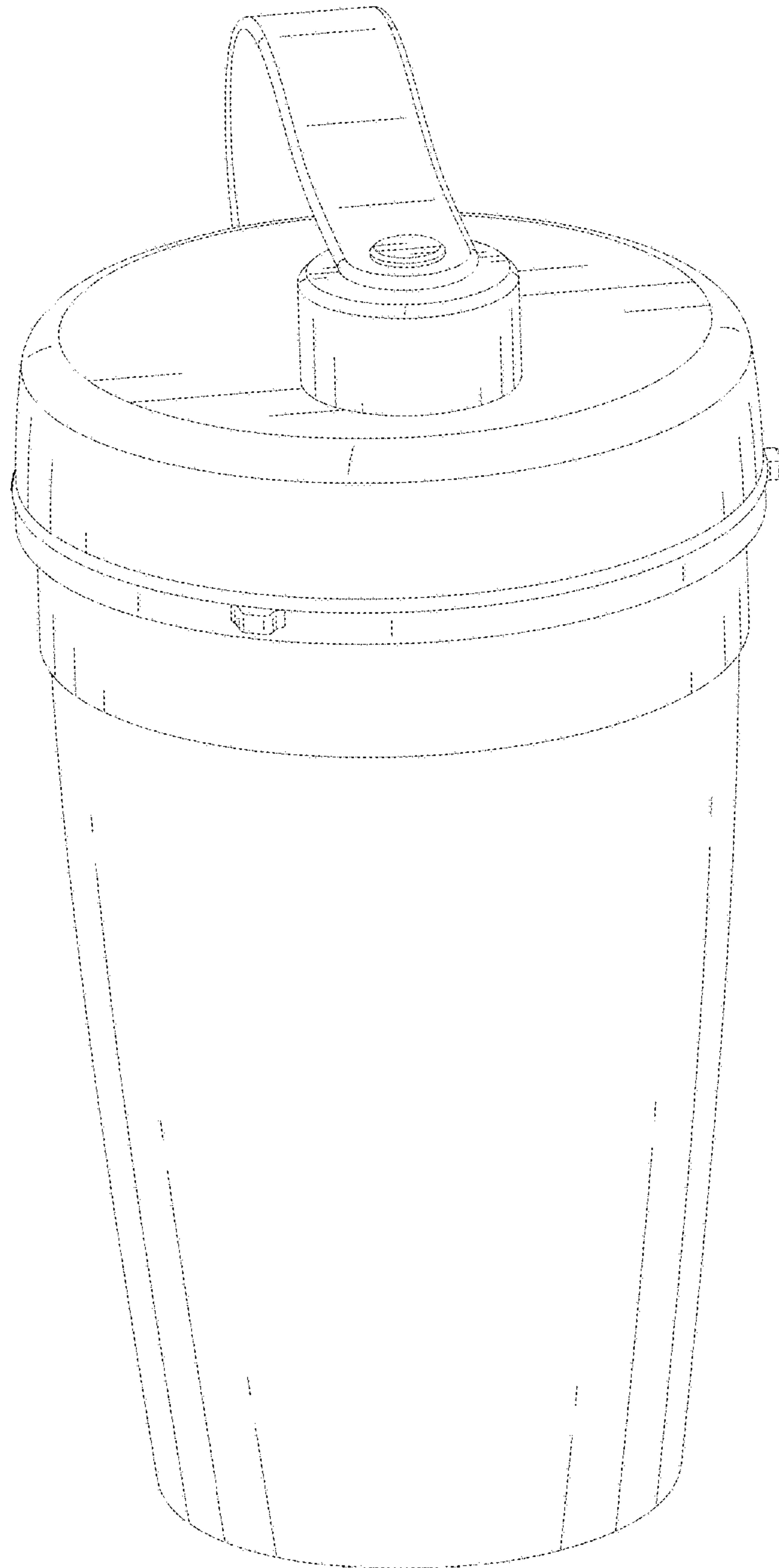


FIG. 31

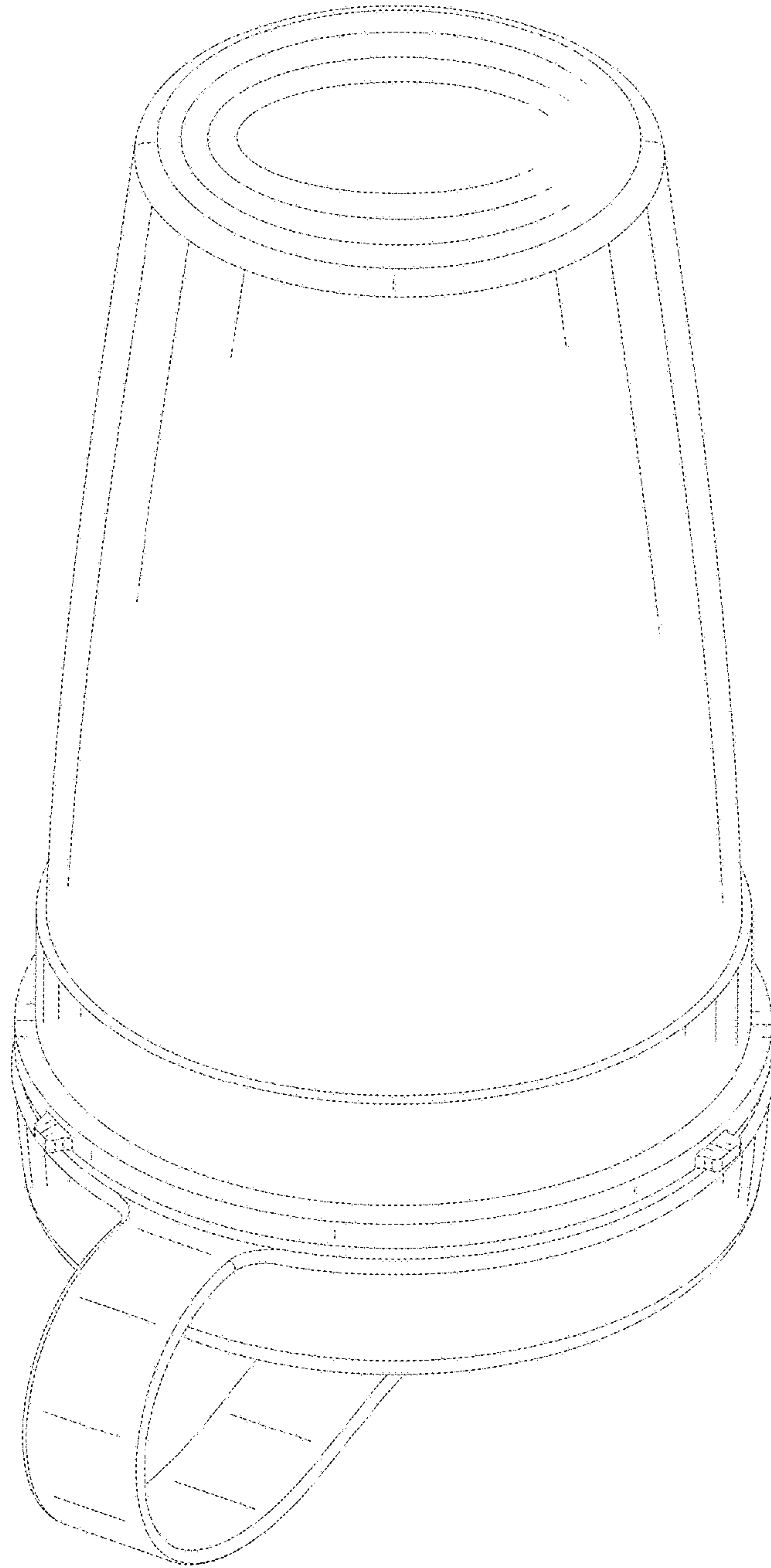


FIG. 32