



US00D833207S

(12) **United States Design Patent**
Zemel

(10) **Patent No.:** **US D833,207 S**

(45) **Date of Patent:** **** Nov. 13, 2018**

- (54) **GRIDDLE WITH REMOVABLE TRAY**
- (71) Applicant: **Mr. Bar-B-Q Products LLC**, Melville, NY (US)
- (72) Inventor: **Marc Zemel**, Melville, NY (US)
- (73) Assignee: **MR. BAR-B-Q PRODUCTS LLC**, Melville, NY (US)
- (**) Term: **15 Years**
- (21) Appl. No.: **29/611,964**
- (22) Filed: **Jul. 27, 2017**
- (51) **LOC (11) Cl.** **07-02**
- (52) **U.S. Cl.**
USPC **D7/363**; D7/362; D7/409
- (58) **Field of Classification Search**
USPC D7/323, 332, 335-337, 354-355, D7/359-364, 387-388, 402, 407-409, 698
CPC A21B 2/00; A21B 3/00; A21B 3/13; A21B 3/15; A21B 5/00; A21B 5/02; A23N 12/06; A23N 12/08; A23N 12/10; A47J 37/00; A47J 37/04; A47J 37/041; A47J 37/042; A47J 37/06; A47J 37/067; A47J 37/0676; A47J 37/0682; A47J 37/0688; A47J 37/0694; A47J 37/07; A47J 37/0704; A47J 37/0713; A47J 37/10; A47J 37/1271; A47J 47/20; A47J 2037/00; A47J 2037/06; A47J 2037/0611; A47J 2037/07; A47J 2037/0786; A47J 2037/0795; F23Q 9/045; F24C 15/10; F24C 15/12; F24C 15/14; F24C 15/16; F24C 15/164; F24C 15/18
See application file for complete search history.

- 4,827,903 A 5/1989 Kim
- 5,413,032 A * 5/1995 Bruno A47J 37/0676
219/436
- 5,619,910 A * 4/1997 Farnsworth A47J 37/0682
219/436
- 5,678,531 A * 10/1997 Byers A47J 37/0704
126/25 R
- 6,389,960 B1 * 5/2002 Williams A47J 37/0713
126/39 J
- 7,647,866 B2 1/2010 Button
- D613,117 S * 4/2010 Richburg D7/409
- D614,915 S * 5/2010 Schnitman D7/409
- D640,500 S * 6/2011 Button D7/362
- D655,989 S * 3/2012 Nelms D7/409
- 8,176,841 B2 5/2012 Hatjopoulos et al.
- D676,721 S * 2/2013 Button D7/698
- D745,802 S * 12/2015 Yao D7/352

(Continued)

Primary Examiner — Ricky Pham

(74) *Attorney, Agent, or Firm* — Carter, DeLuca, Farrell & Schmidt, LLP

(57) **CLAIM**

The ornamental design for a griddle with removable tray, as shown and described.

DESCRIPTION

FIG. 1 is a perspective view of a griddle with removable tray in accordance with the present design;
 FIG. 2 is a left side elevational view thereof;
 FIG. 3 is a right side elevational view thereof;
 FIG. 4 is a front elevational view thereof;
 FIG. 5 is a rear elevational view thereof;
 FIG. 6 is a top plan view thereof;
 FIG. 7 is a bottom plan view thereof; and,
 FIG. 8 is an exploded perspective view of the griddle with removable tray in a removable configuration in accordance with the present design.

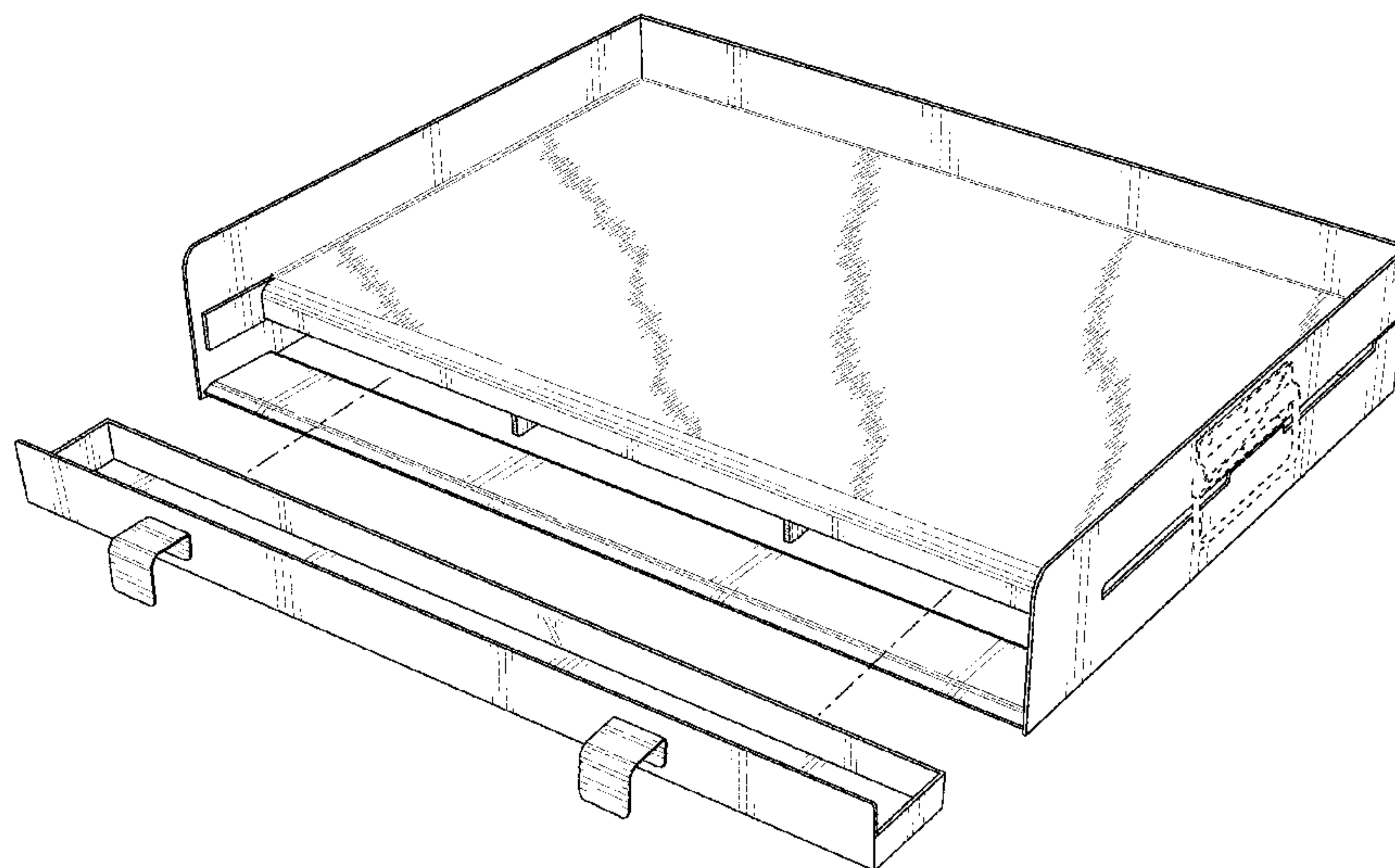
The broken lines shown in the drawings are for illustrative purposes only and form no part of the claimed design.

(56) **References Cited**

U.S. PATENT DOCUMENTS

- 2,702,848 A 2/1955 Scofield et al.
- 4,598,634 A 7/1986 Van Horn, II

1 Claim, 6 Drawing Sheets



(56)

References Cited

U.S. PATENT DOCUMENTS

9,357,879 B2 6/2016 Ortner et al.
9,782,039 B2 * 10/2017 Ortner A47J 37/067
9,854,940 B2 * 1/2018 Marx A47J 37/1271
2009/0235918 A1 * 9/2009 Espina F23Q 9/045
126/39 G
2014/0050834 A1 2/2014 Berge et al.

* cited by examiner

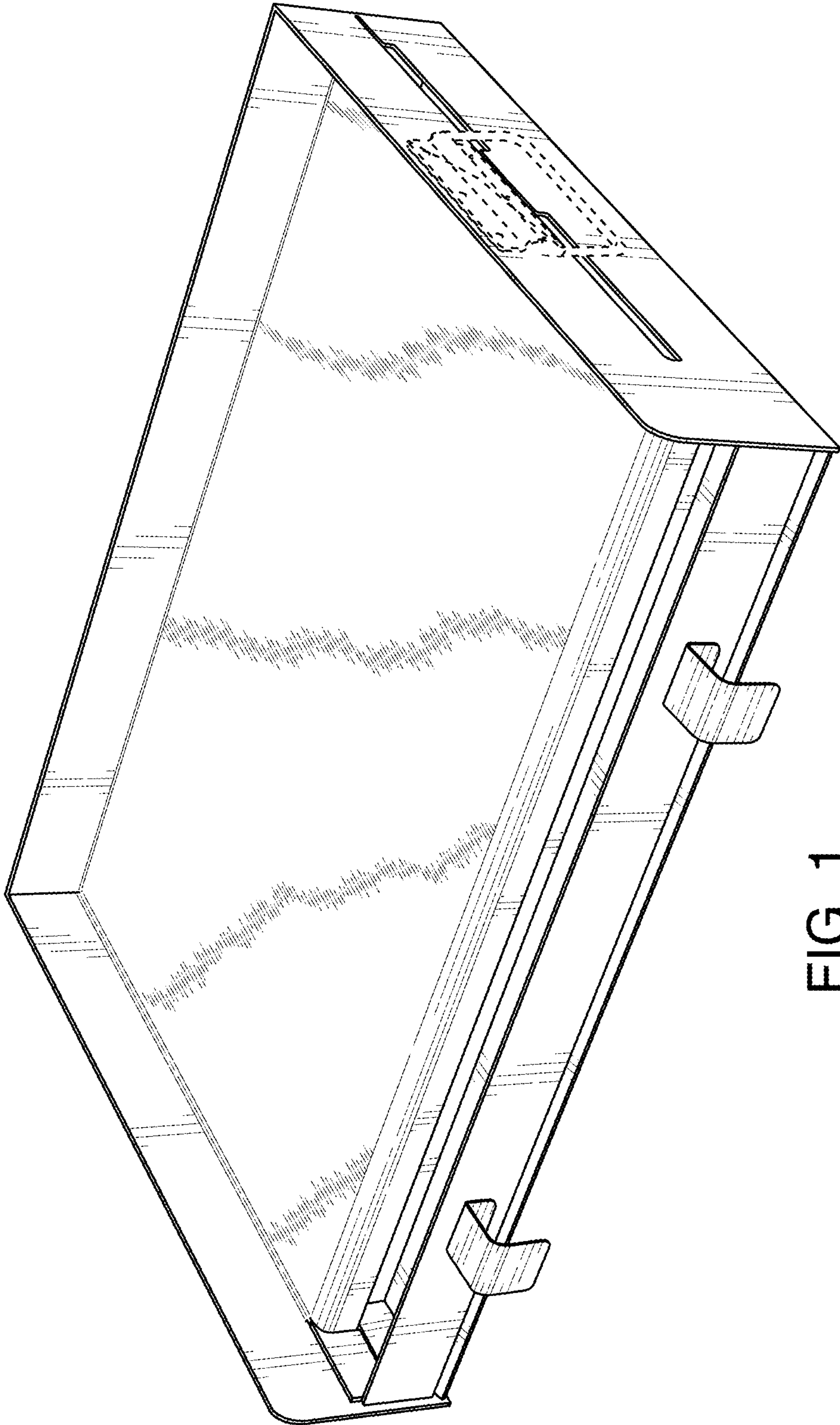


FIG. 1

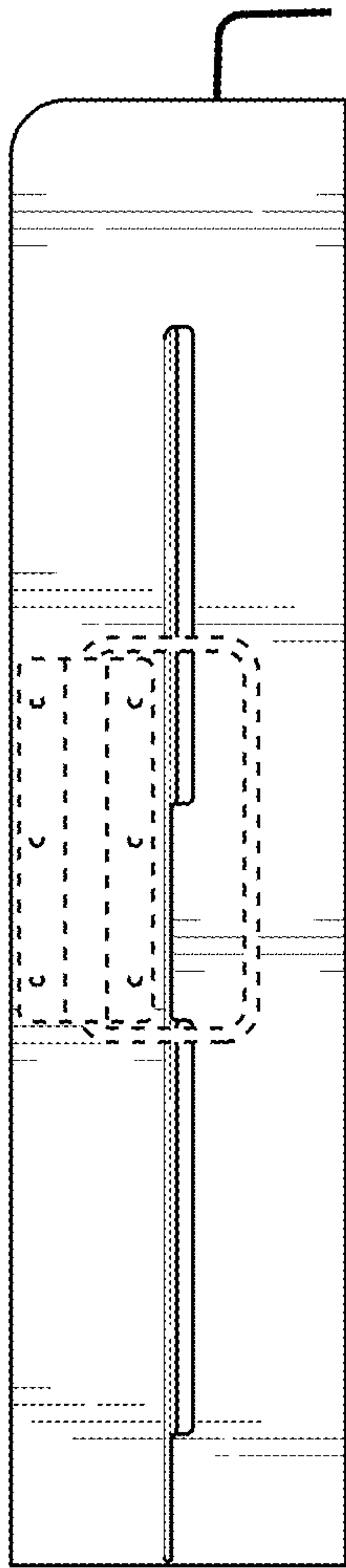


FIG. 2

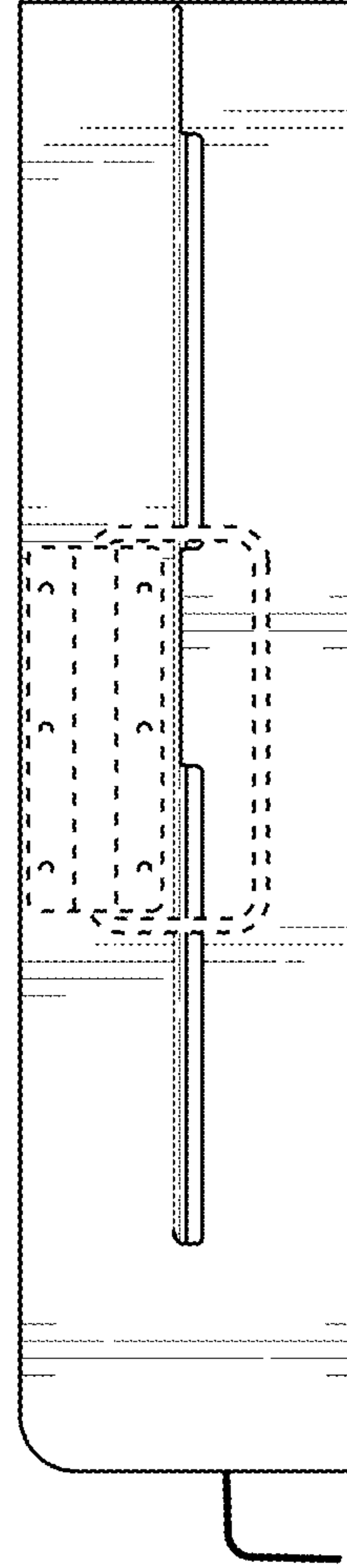


FIG. 3

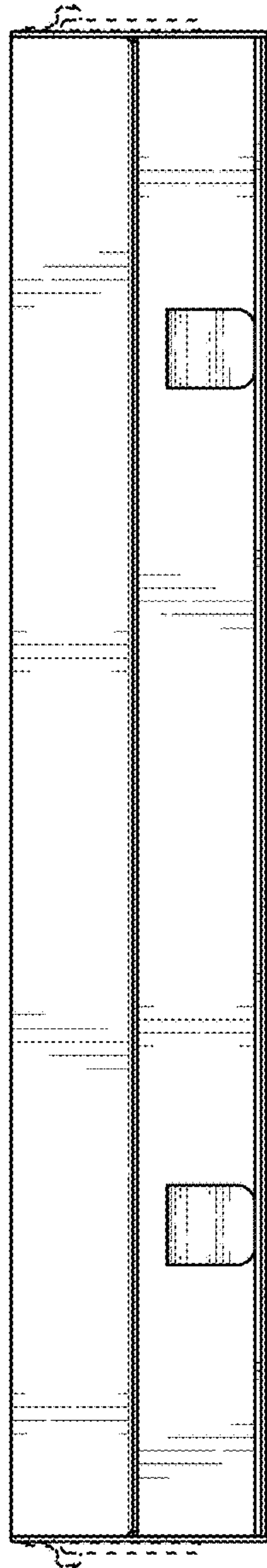


FIG. 4

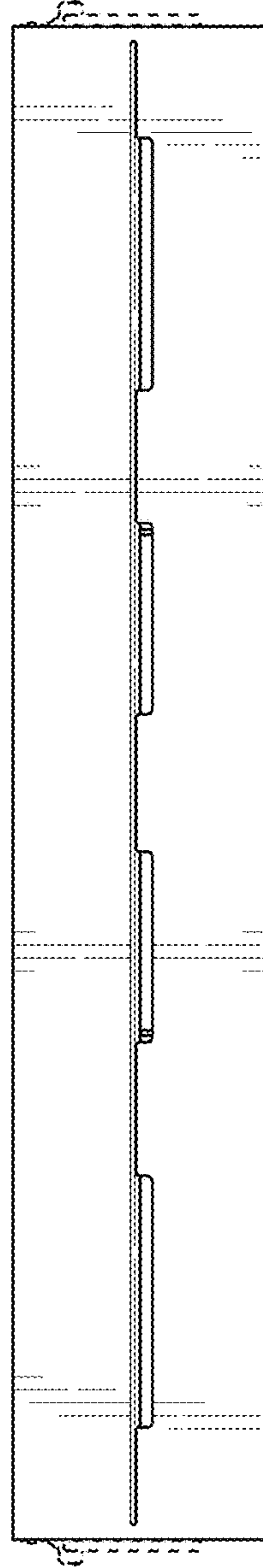


FIG. 5

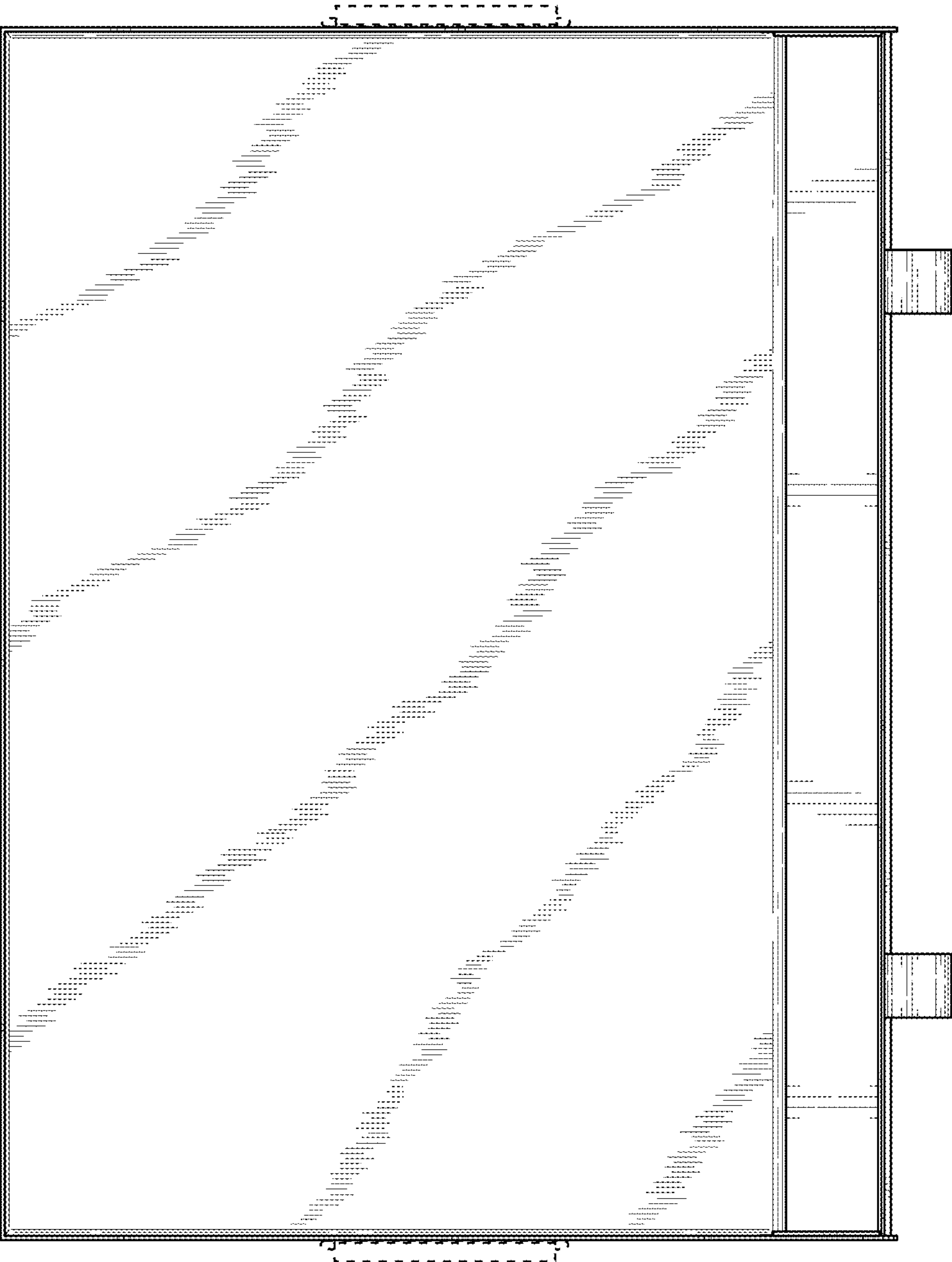


FIG. 6



FIG. 7

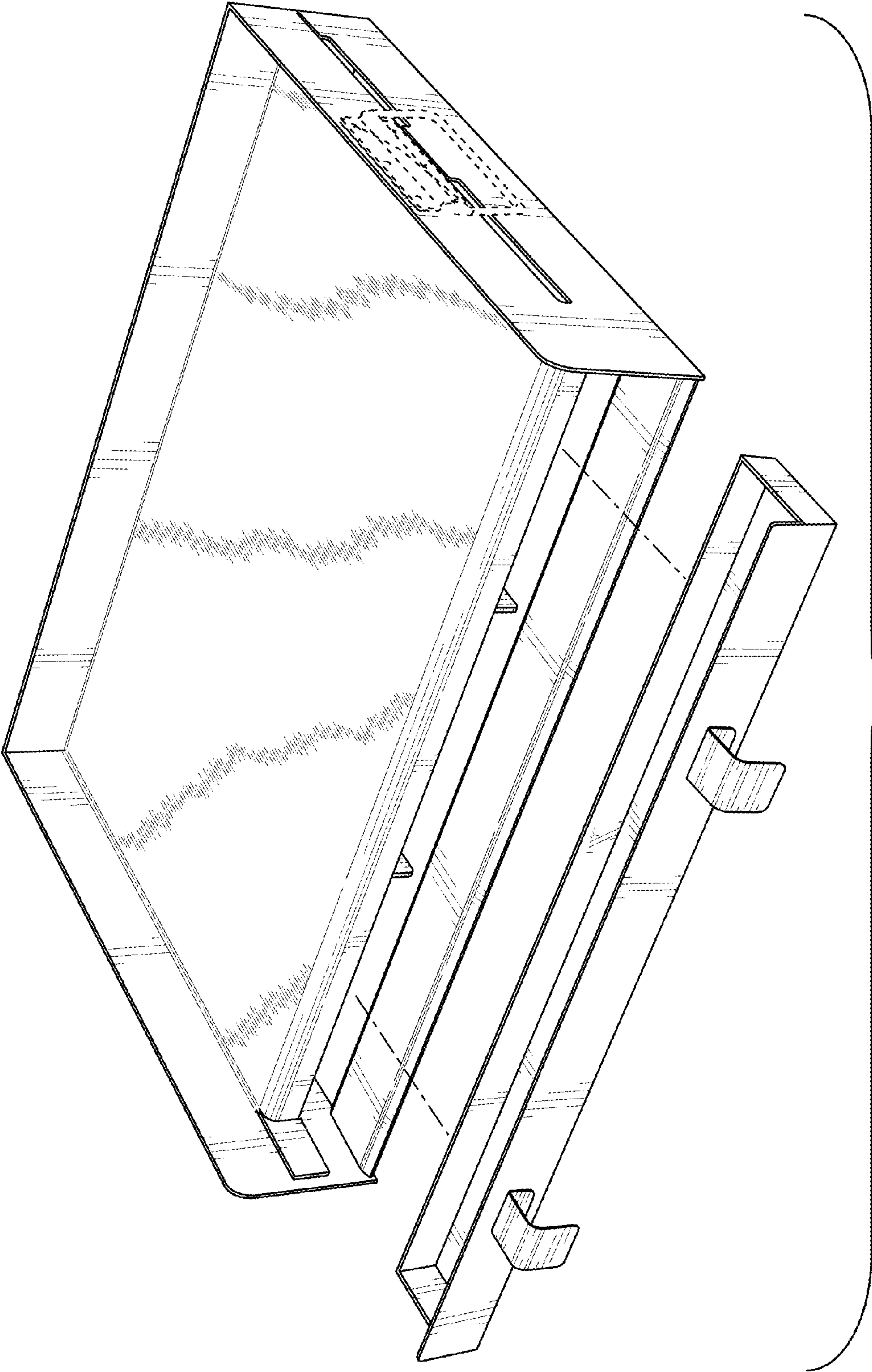


FIG. 8