



US00D833205S

(12) **United States Design Patent**
Lee

(10) **Patent No.:** **US D833,205 S**
(45) **Date of Patent:** **** Nov. 13, 2018**

(54) **BIDIRECTIONAL HEATING COOKER**
(71) Applicant: **ZAIGLE CO., LTD.**, Seoul (KR)
(72) Inventor: **Jin Hee Lee**, Seoul (KR)
(73) Assignee: **ZAIGLE CO., LTD.**, Seoul (KR)
(**) Term: **15 Years**
(21) Appl. No.: **29/613,436**

D434,486 S * 11/2000 Segers D23/372
6,261,621 B1 * 7/2001 Stanger A47J 36/2483
219/214
D458,078 S * 6/2002 Lin D7/362
D561,521 S * 2/2008 Bond D7/338
D653,904 S * 2/2012 Lee D7/362
D710,143 S * 8/2014 Lee D7/362
D710,144 S * 8/2014 Lee D7/362
D743,734 S * 11/2015 Lee D7/362
D758,784 S * 6/2016 Hunt D7/352
D795,001 S * 8/2017 Lee D7/362
D811,802 S * 3/2018 Brijja D7/362

* cited by examiner

(22) Filed: **Aug. 10, 2017**

(30) **Foreign Application Priority Data**

Feb. 15, 2017 (KR) 30-2017-0006982

(51) **LOC (11) Cl.** **07-02**

(52) **U.S. Cl.**
USPC **D7/362; D7/365**

(58) **Field of Classification Search**
USPC D7/323, 337-339, 341, 352, 354-355,
D7/362-367, 409-411; D23/372
CPC A21B 1/06; A21B 1/50; A21B 1/52; A47J
36/2483; A47J 37/04; A47J 37/06; A47J
37/015; A47J 37/067; A47J 37/0611;
A47J 37/0629; A47J 37/0676; F24C 7/06;
F24C 7/083; F24C 15/02; F24C 15/166;
H05B 3/20; H05B 3/40
See application file for complete search history.

(56) **References Cited**

U.S. PATENT DOCUMENTS

D181,526 S * 11/1957 Fitzgerald D7/365
D340,615 S * 10/1993 Guerrier D7/365

Primary Examiner — Ricky Pham

(74) *Attorney, Agent, or Firm* — Kile Park Reed & Houtteman PLLC

(57) **CLAIM**

I claim, the ornamental design for a bidirectional heating cooker, as shown and described.

DESCRIPTION

FIG. 1 is a top and front perspective view of a bidirectional heating cooker, showing my new design;
FIG. 2 is a front view thereof;
FIG. 3 is a rear view thereof;
FIG. 4 is a left side view thereof;
FIG. 5 is a right side view thereof;
FIG. 6 is a top view thereof;
FIG. 7 is a bottom view thereof; and
FIG. 8 is an enlarged view of a portion of the bidirectional heating cooker shown in FIG. 2; and,
FIG. 9 is an enlarged view of a portion of the bidirectional heating cooker shown in FIG. 4.

1 Claim, 9 Drawing Sheets

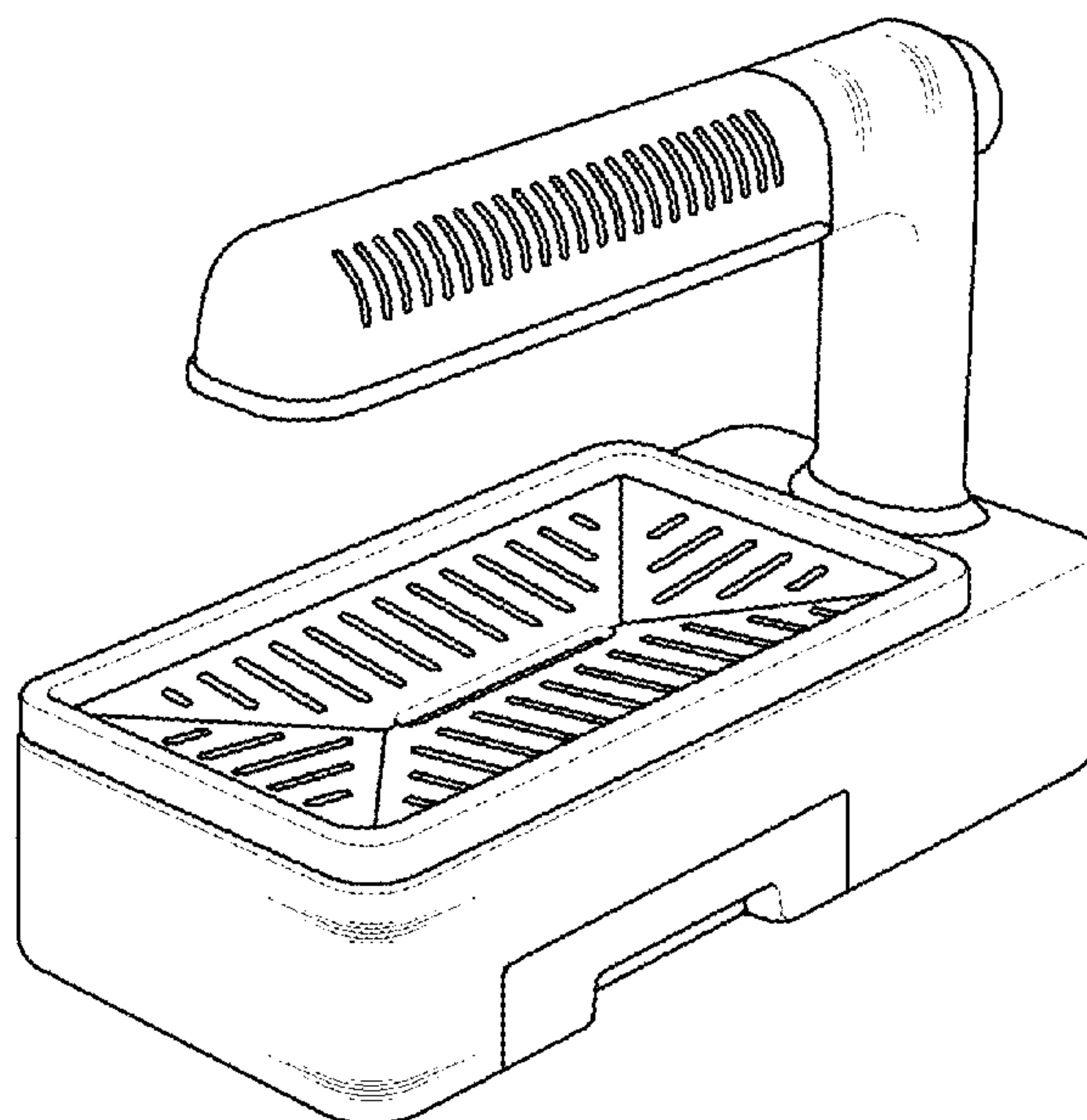


FIG. 1

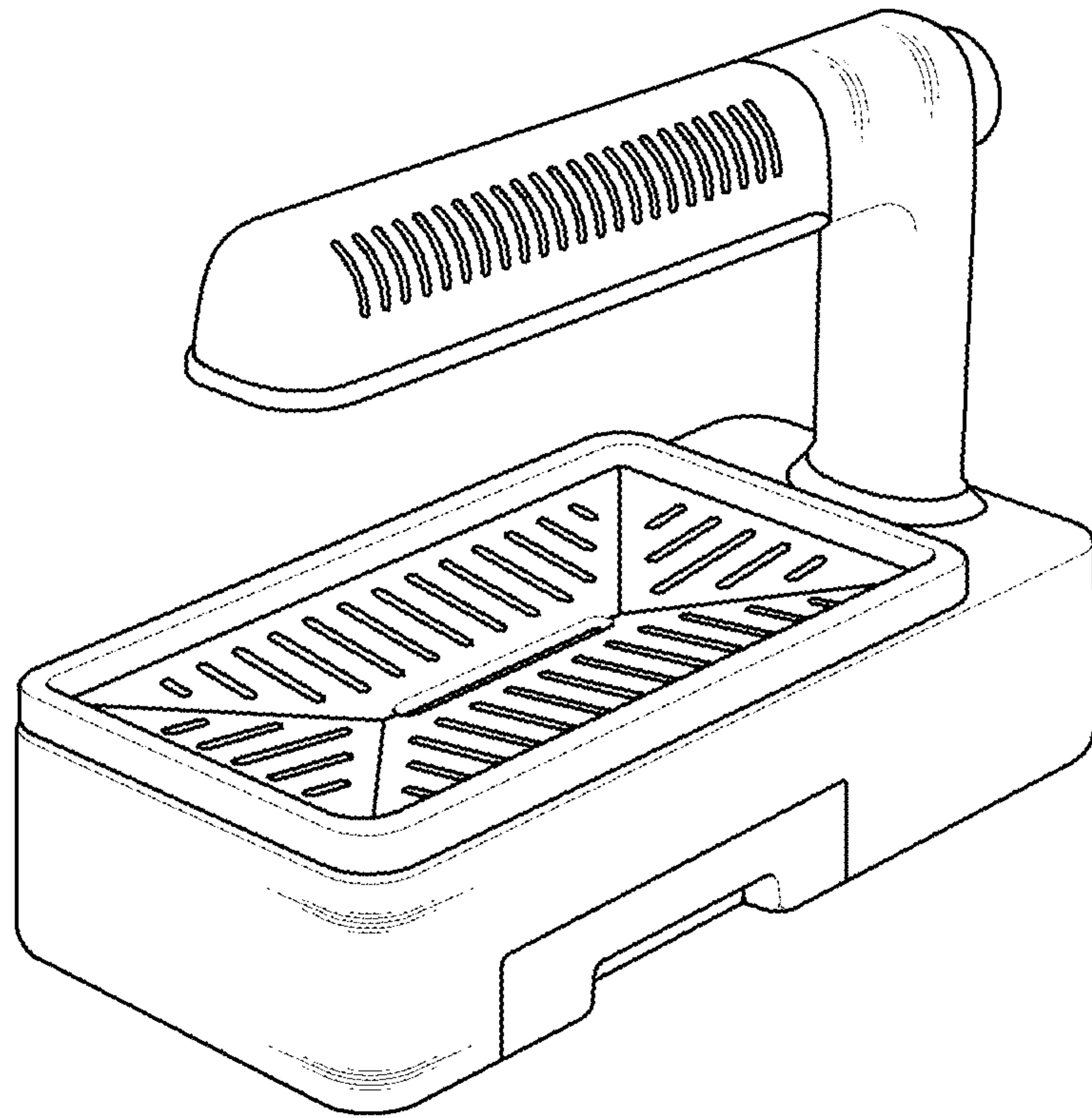


FIG. 2

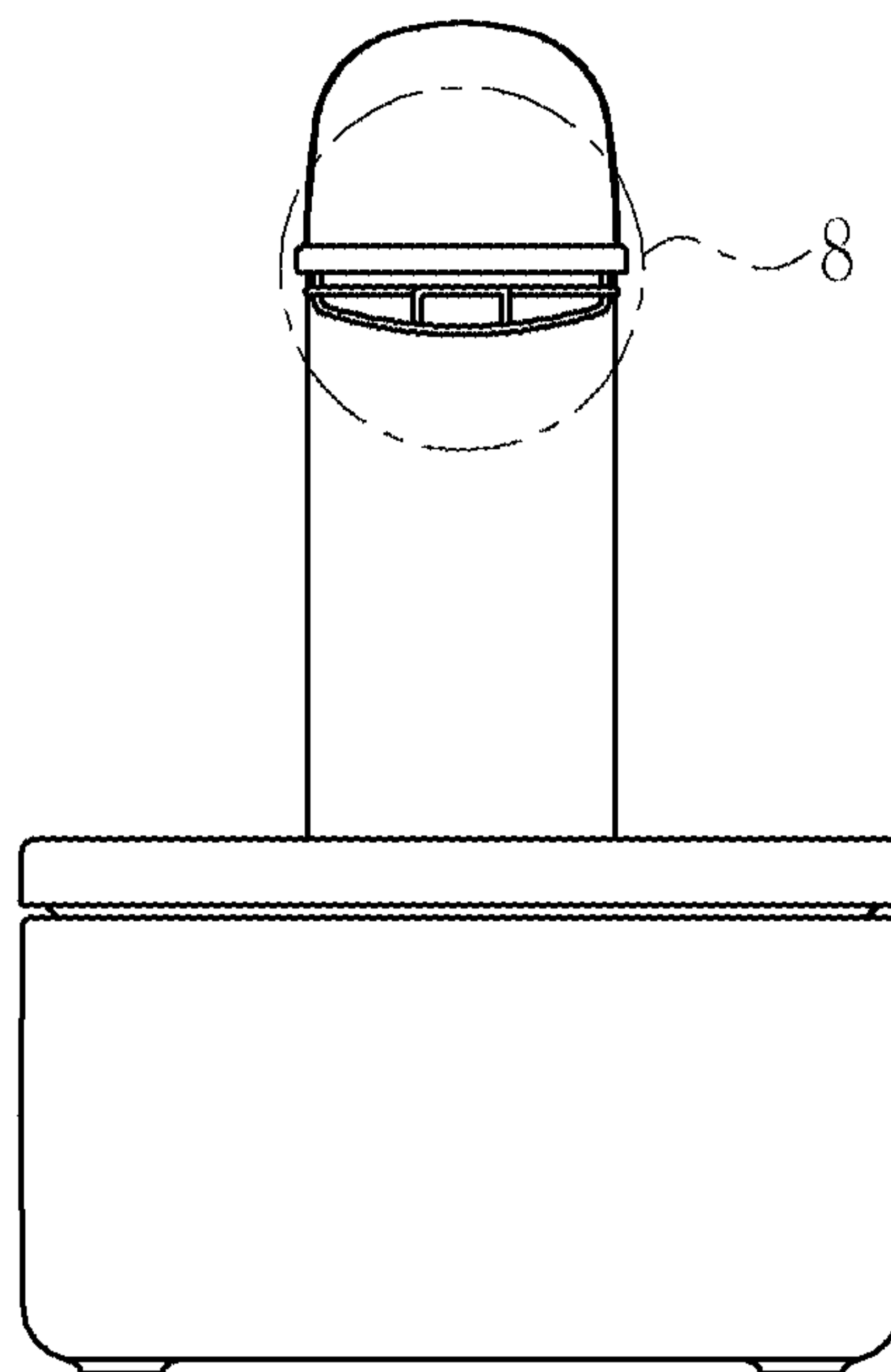


FIG. 3

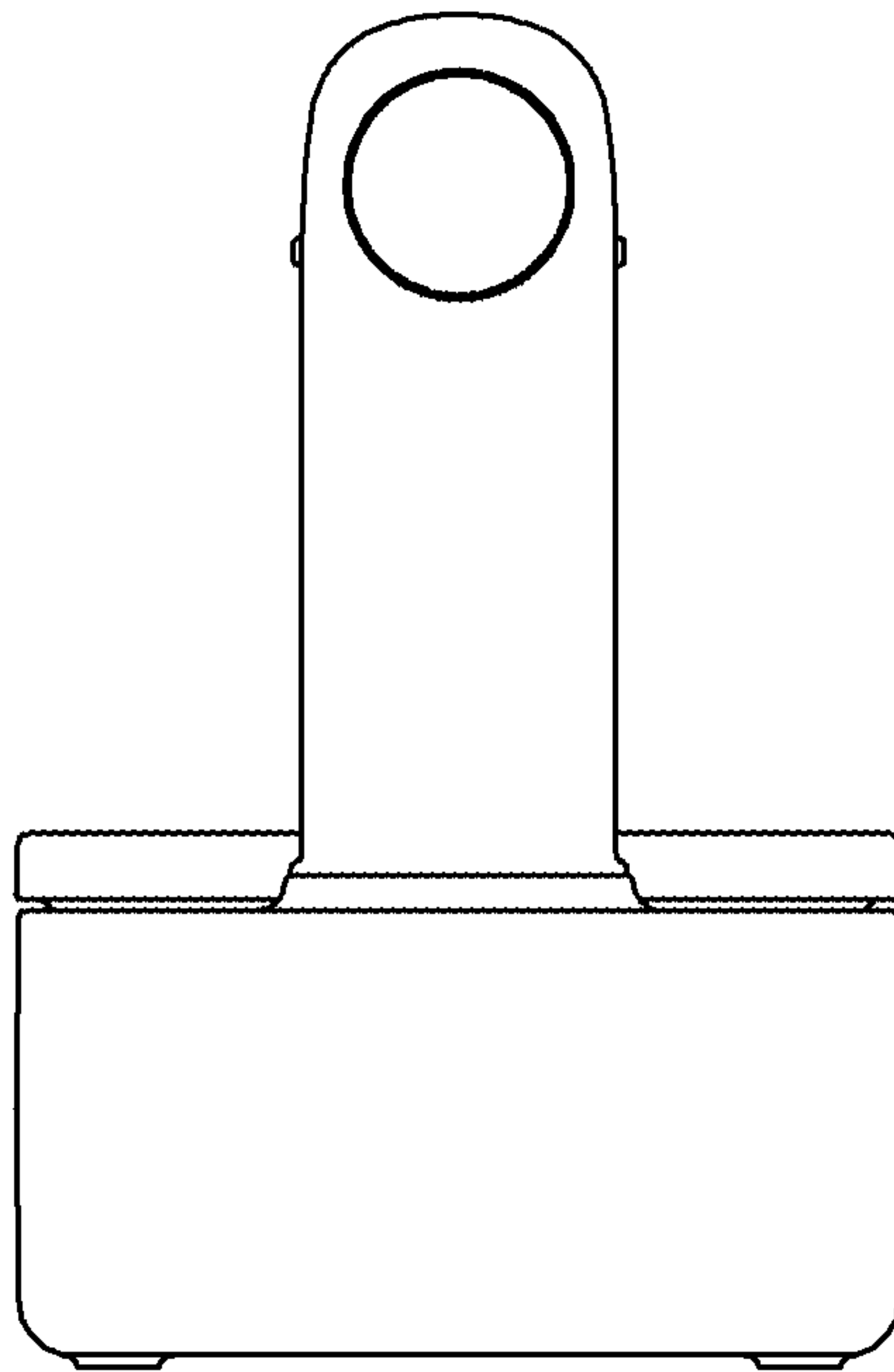


FIG. 4

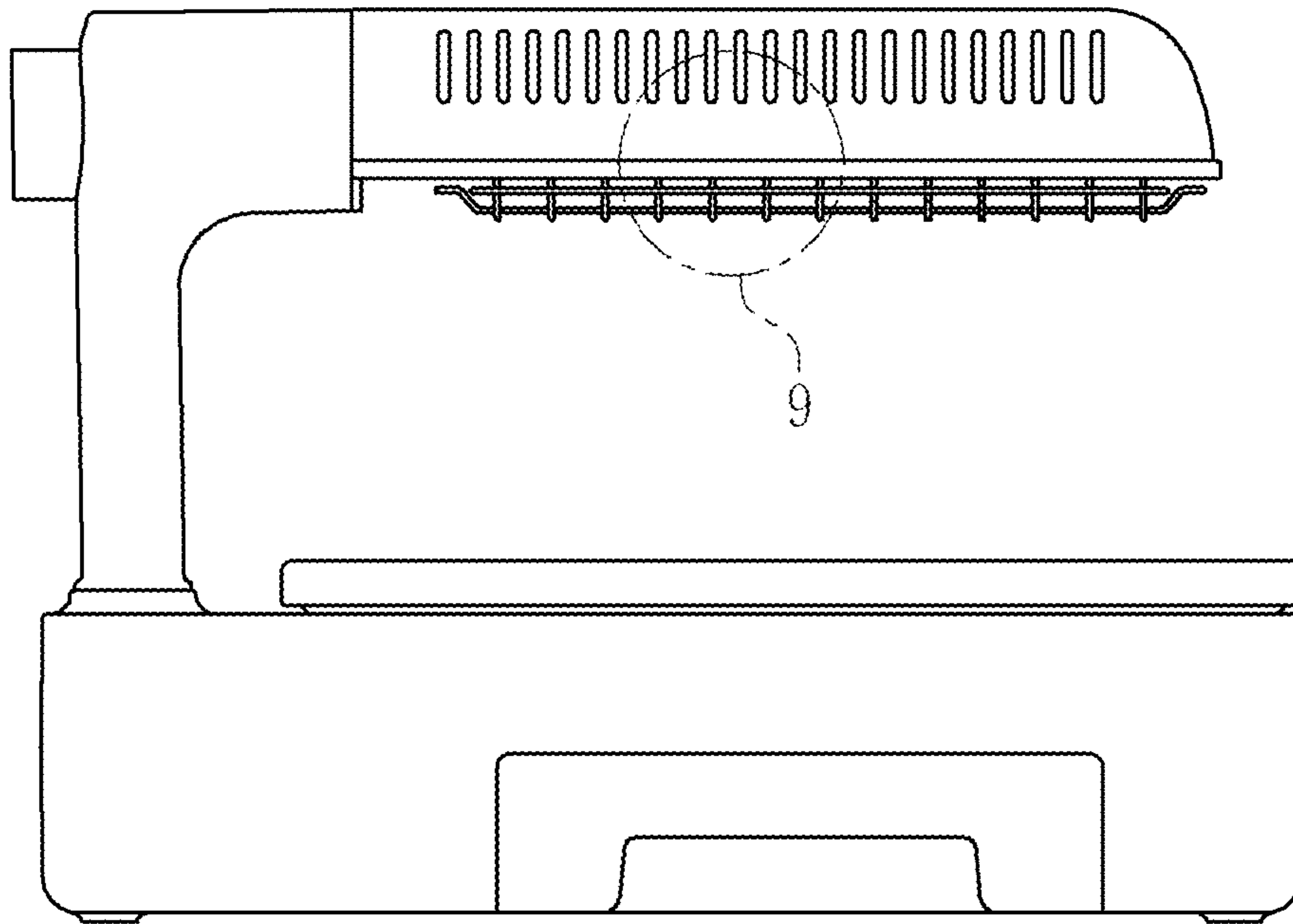


FIG. 5

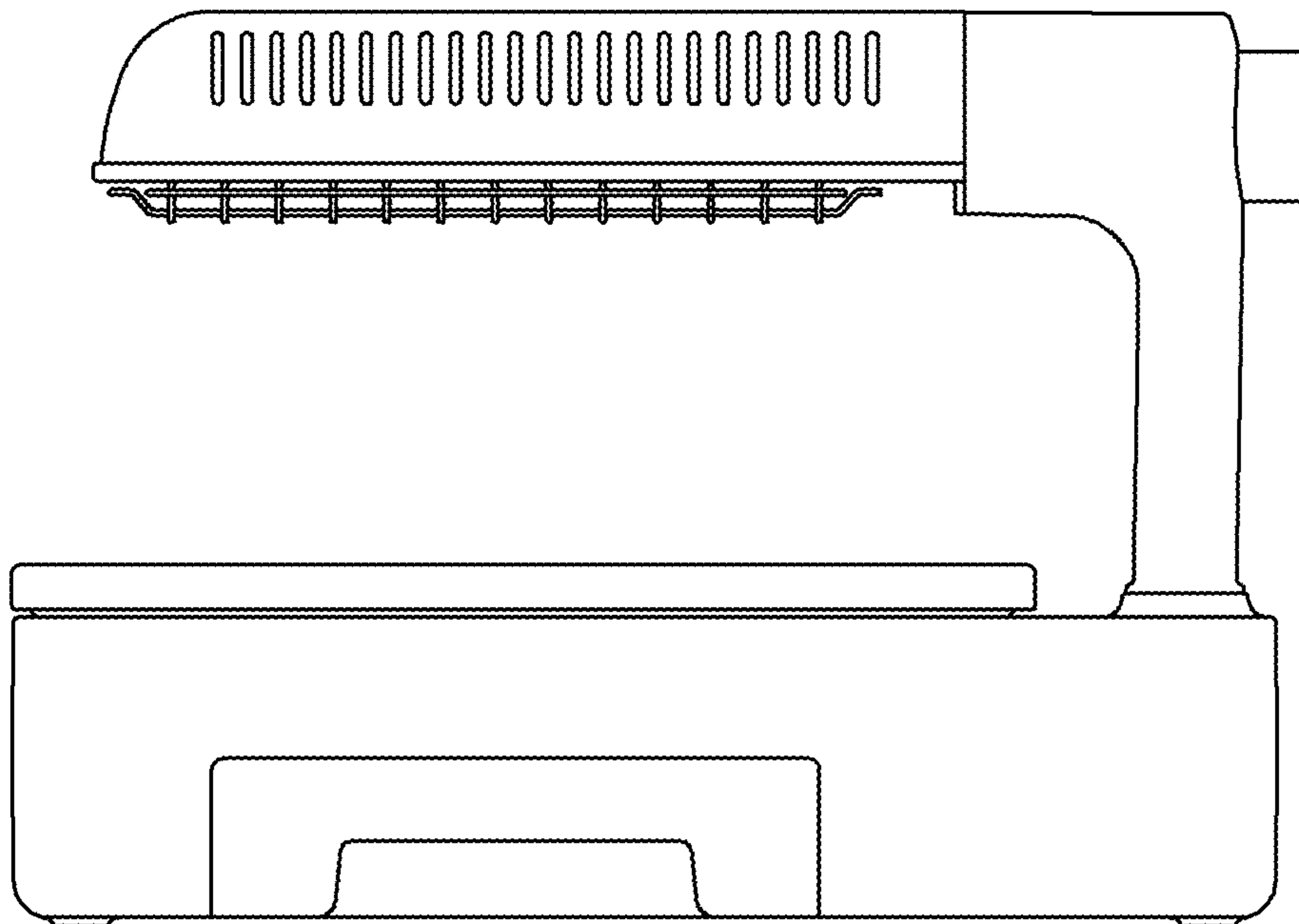


FIG. 6

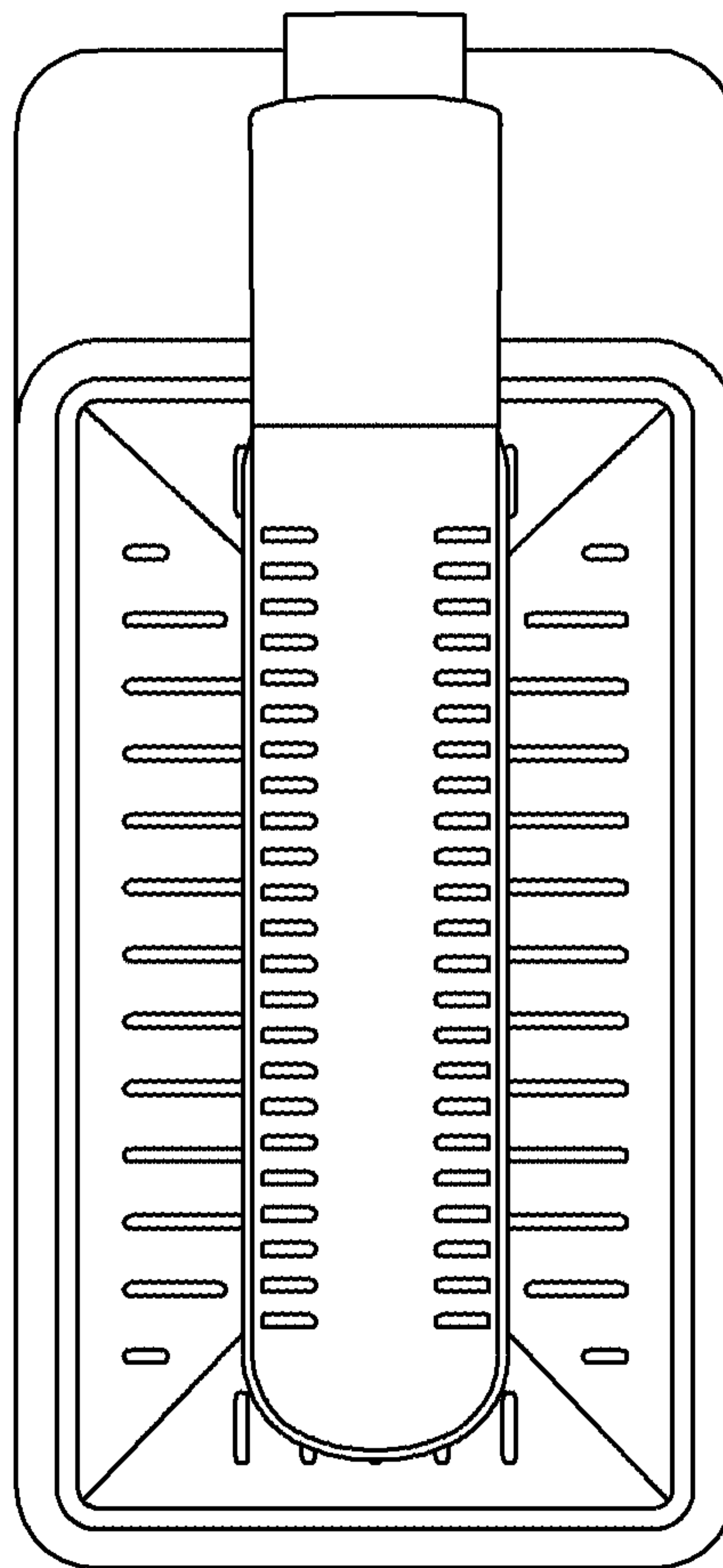


FIG. 7

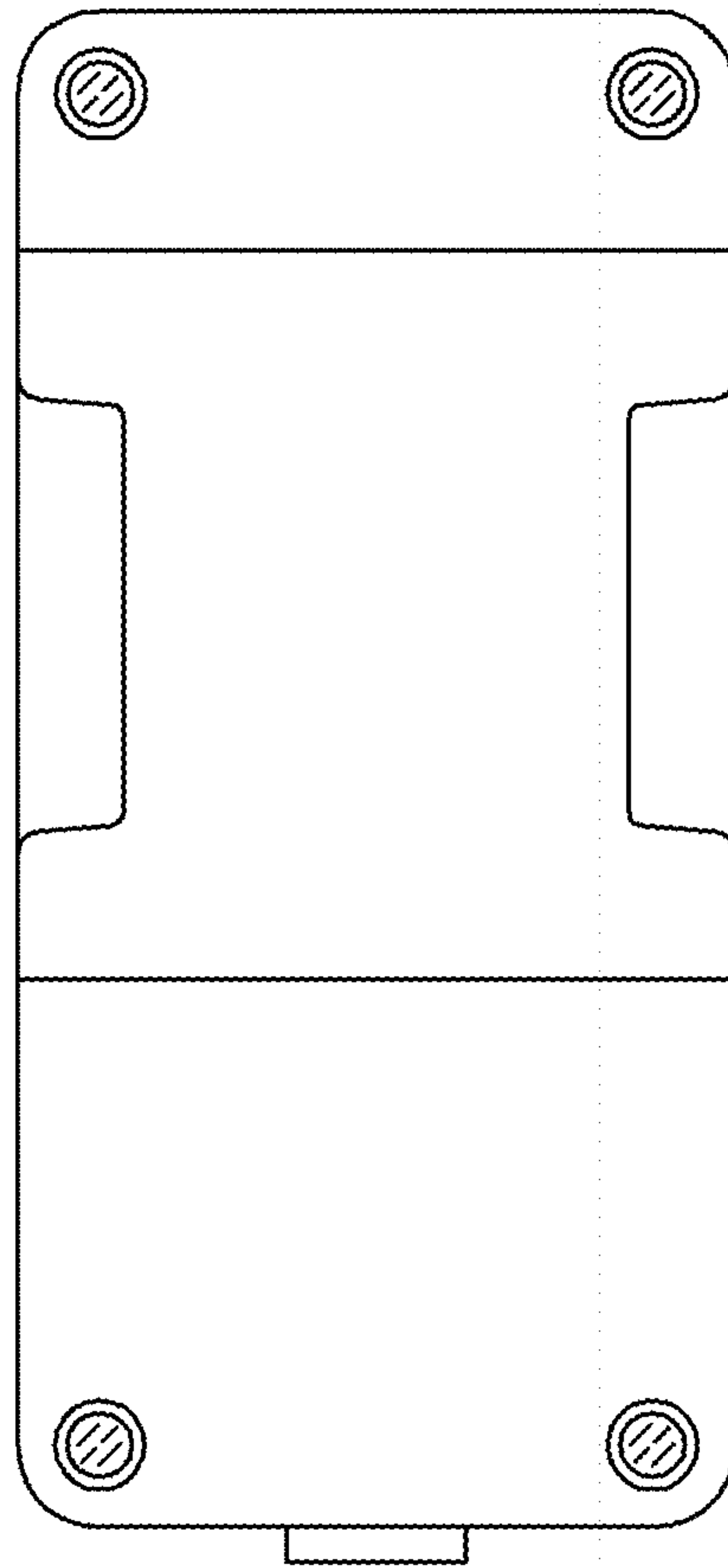


FIG. 8

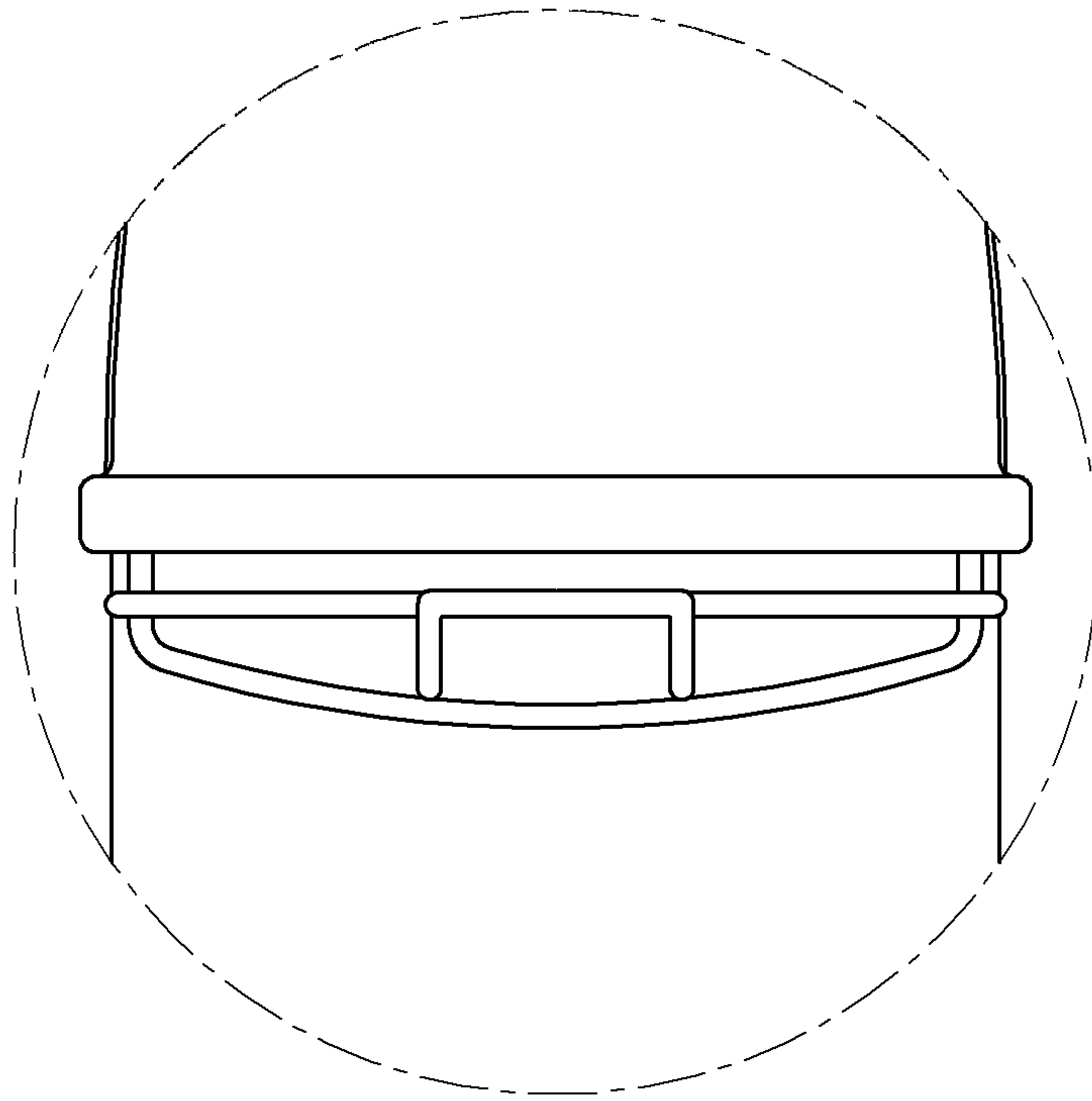


FIG. 9

