



US00D833204S

(12) **United States Design Patent**  
**Lee**

(10) **Patent No.:** **US D833,204 S**  
(45) **Date of Patent:** **\*\* Nov. 13, 2018**

- (54) **COOKING PAN**
- (71) Applicant: **ZAIGLE CO., LTD.**, Seoul (KR)
- (72) Inventor: **Jin Hee Lee**, Seoul (KR)
- (73) Assignee: **ZAIGLE CO., LTD.**, Seoul (KR)
- (\*\*) Term: **15 Years**
- (21) Appl. No.: **29/630,455**
- (22) Filed: **Dec. 21, 2017**

(30) **Foreign Application Priority Data**

- Jun. 23, 2017 (KR) ..... 30-2017-0028945
- (51) **LOC (11) Cl.** ..... **07-02**
- (52) **U.S. Cl.**  
USPC ..... **D7/359; D7/354; D7/362; D7/409**
- (58) **Field of Classification Search**  
USPC ..... D7/323, 332, 335-337, 354-364,  
D7/387-388, 392.1, 402, 407-409  
CPC .... A21B 2/00; A21B 3/00; A21B 3/13; A21B  
3/15; A21B 5/00; A21B 5/02; A23N  
12/06; A23N 12/08; A23N 12/10; A47J  
27/004; A47J 37/00; A47J 37/04; A47J  
37/041; A47J 37/042; A47J 37/06; A47J  
37/067; A47J 37/0688; A47J 37/0694;  
A47J 37/07; A47J 37/0704; A47J 37/10;  
A47J 47/20; A47J 2037/00; A47J  
2037/06; A47J 2037/0611; A47J 2037/07;  
A47J 2037/0786; A47J 2037/0795; F24C  
15/10; F24C 15/12; F24C 15/14; F24C  
15/16; F24C 15/164; F24C 15/18  
See application file for complete search history.

(56) **References Cited**

**U.S. PATENT DOCUMENTS**

- D223,854 S \* 6/1972 Swett ..... D7/392.1
- D252,008 S \* 6/1979 Jeambey ..... 426/243

- D264,036 S \* 4/1982 Pomroy ..... D7/359
- 6,082,249 A \* 7/2000 Su ..... A47J 27/004  
99/340
- D661,542 S \* 6/2012 Lee ..... D7/362
- D743,733 S \* 11/2015 Lee ..... A47J 27/004  
D7/362
- D743,734 S \* 11/2015 Lee ..... D7/362
- D749,906 S \* 2/2016 Lee ..... D7/362
- D764,859 S \* 8/2016 Lee ..... D7/352
- D764,862 S \* 8/2016 Lee ..... A47J 37/067  
D7/352
- D770,221 S \* 11/2016 Lee ..... D7/352
- D818,305 S \* 5/2018 Lee ..... D7/362
- 2009/0095168 A1 \* 4/2009 Shu ..... A47J 37/067  
99/425

\* cited by examiner

*Primary Examiner* — Ricky Pham

(74) *Attorney, Agent, or Firm* — Kile Park Reed & Houtteman PLLC

(57) **CLAIM**

I claim, the ornamental design for a cooking pan, as shown and described.

**DESCRIPTION**

FIG. 1 is a top and front perspective view of a cooking pan, showing my new design;  
 FIG. 2 is a front view thereof;  
 FIG. 3 is a rear view thereof;  
 FIG. 4 is a left side view thereof;  
 FIG. 5 is a right side view thereof;  
 FIG. 6 is a top view thereof; and,  
 FIG. 7 is a bottom view thereof.

**1 Claim, 5 Drawing Sheets**

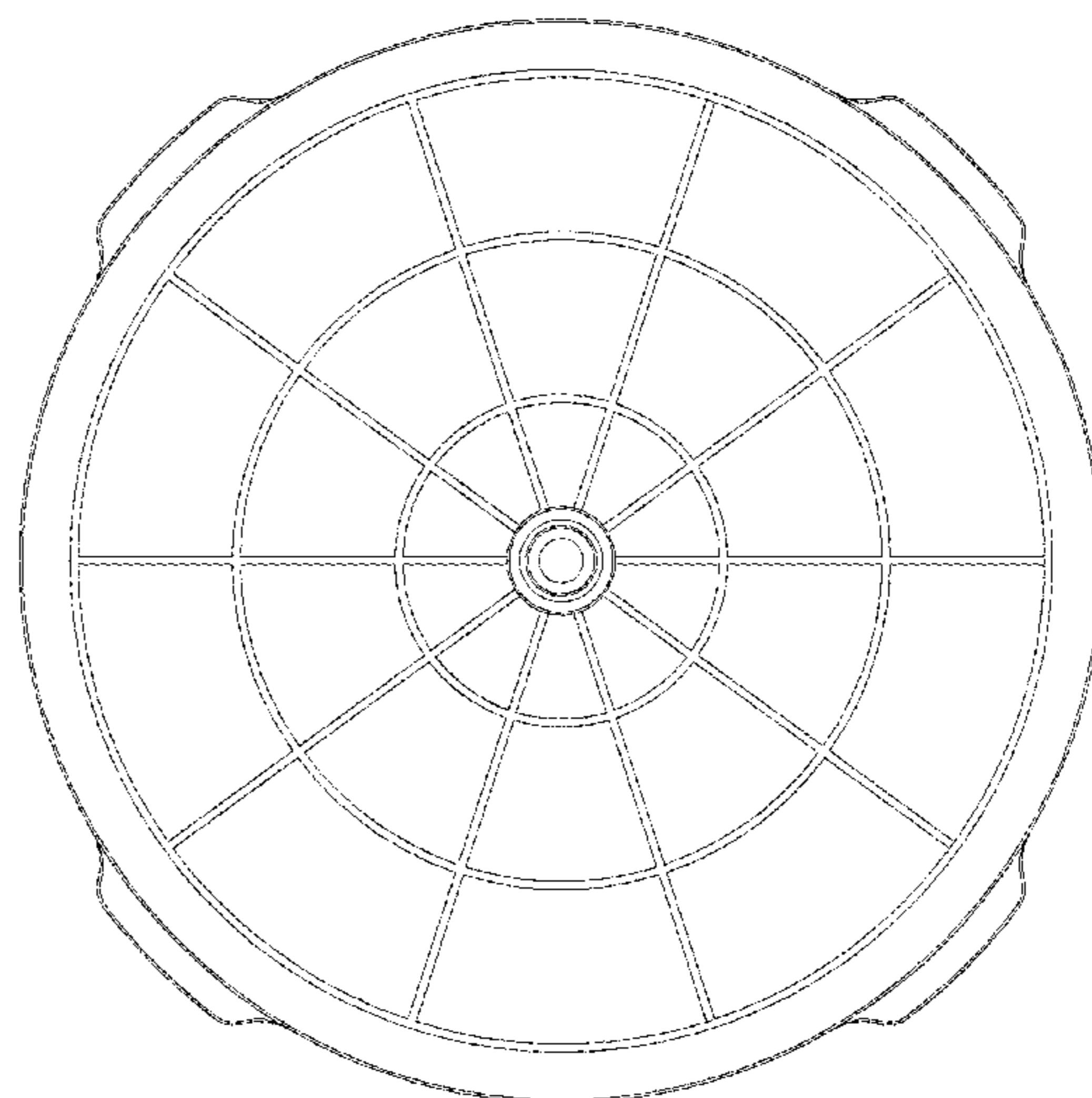
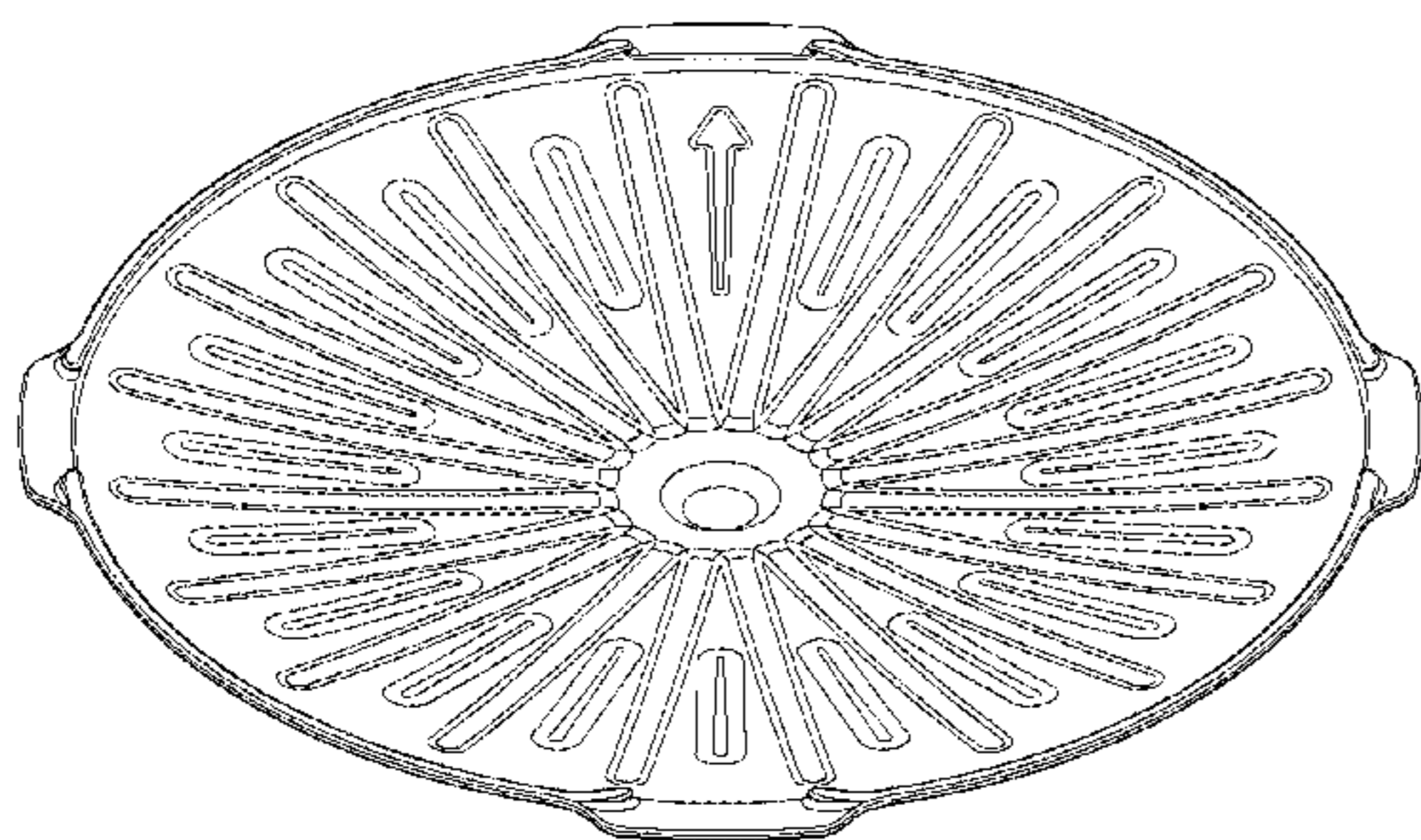


FIG. 1

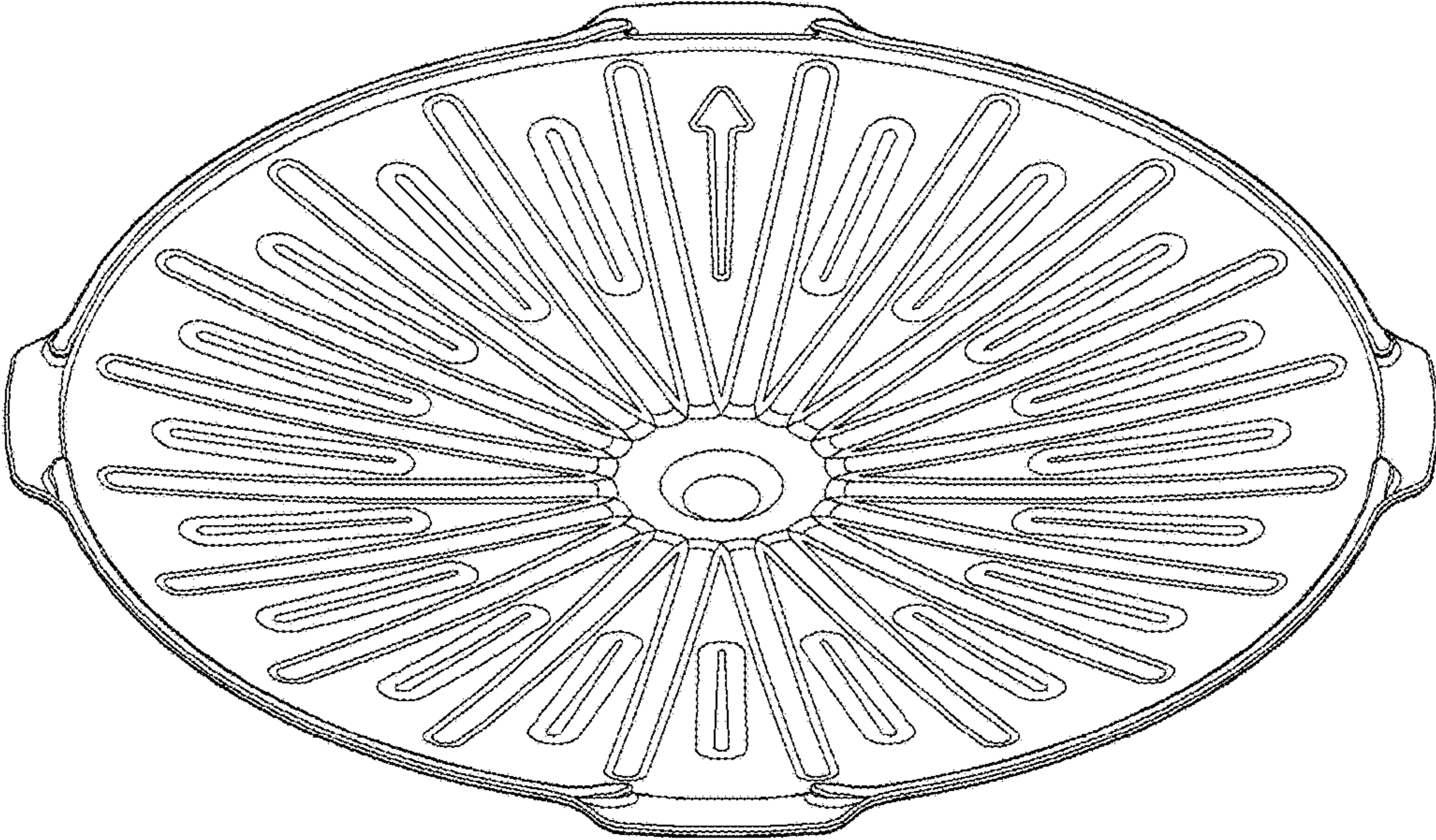


FIG. 2

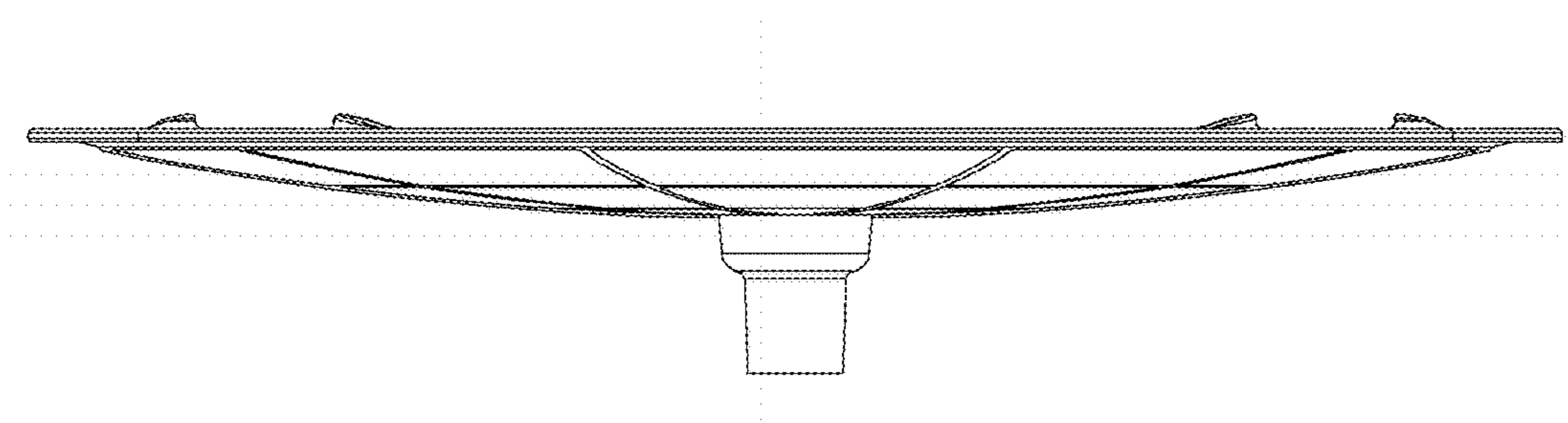


FIG. 3

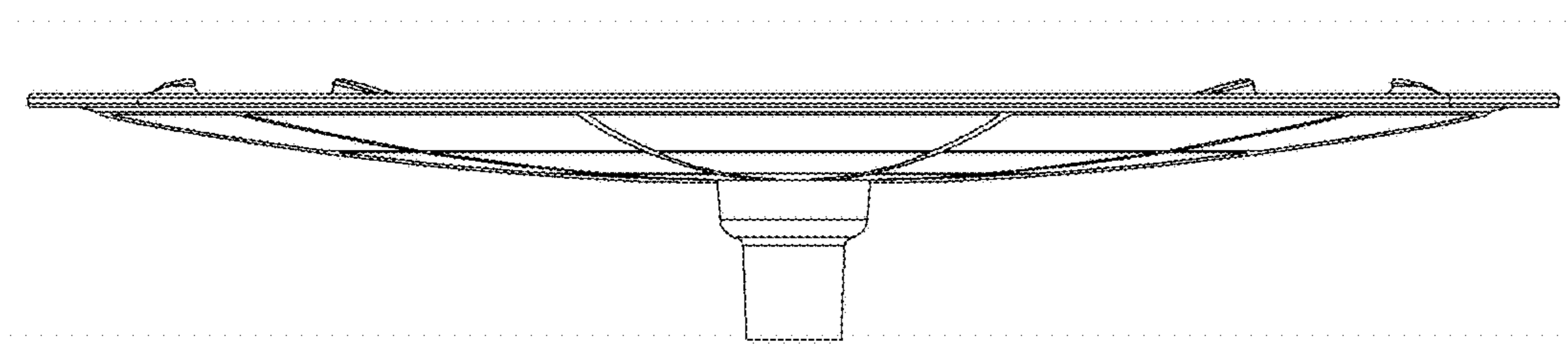




FIG. 4

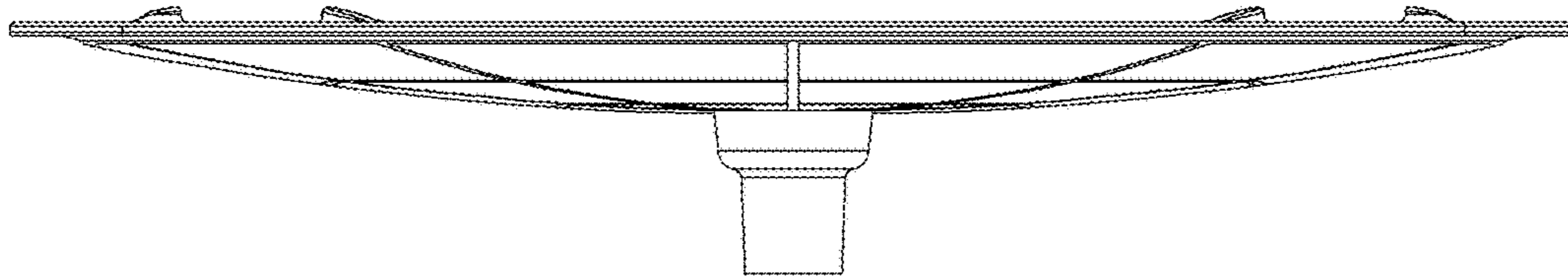


FIG. 5

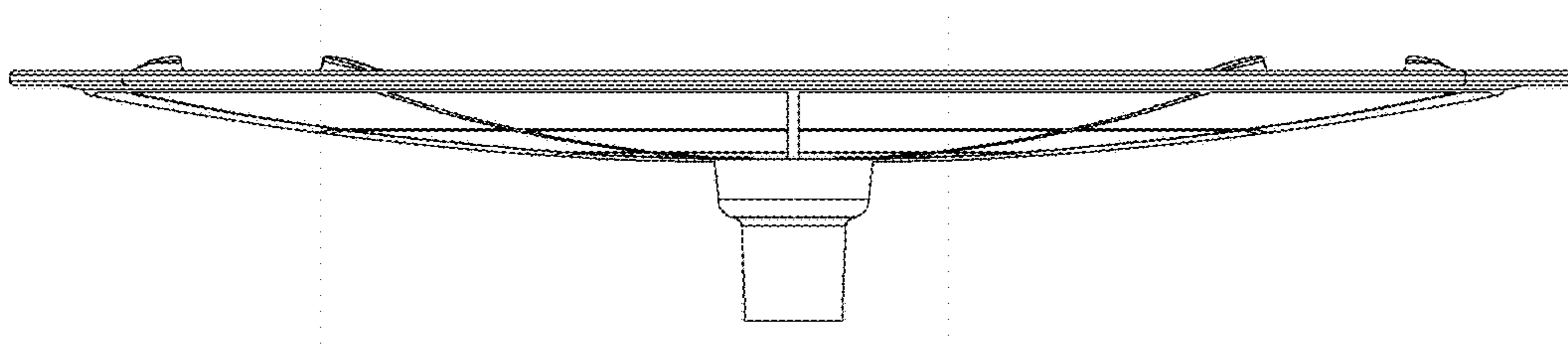


FIG. 6

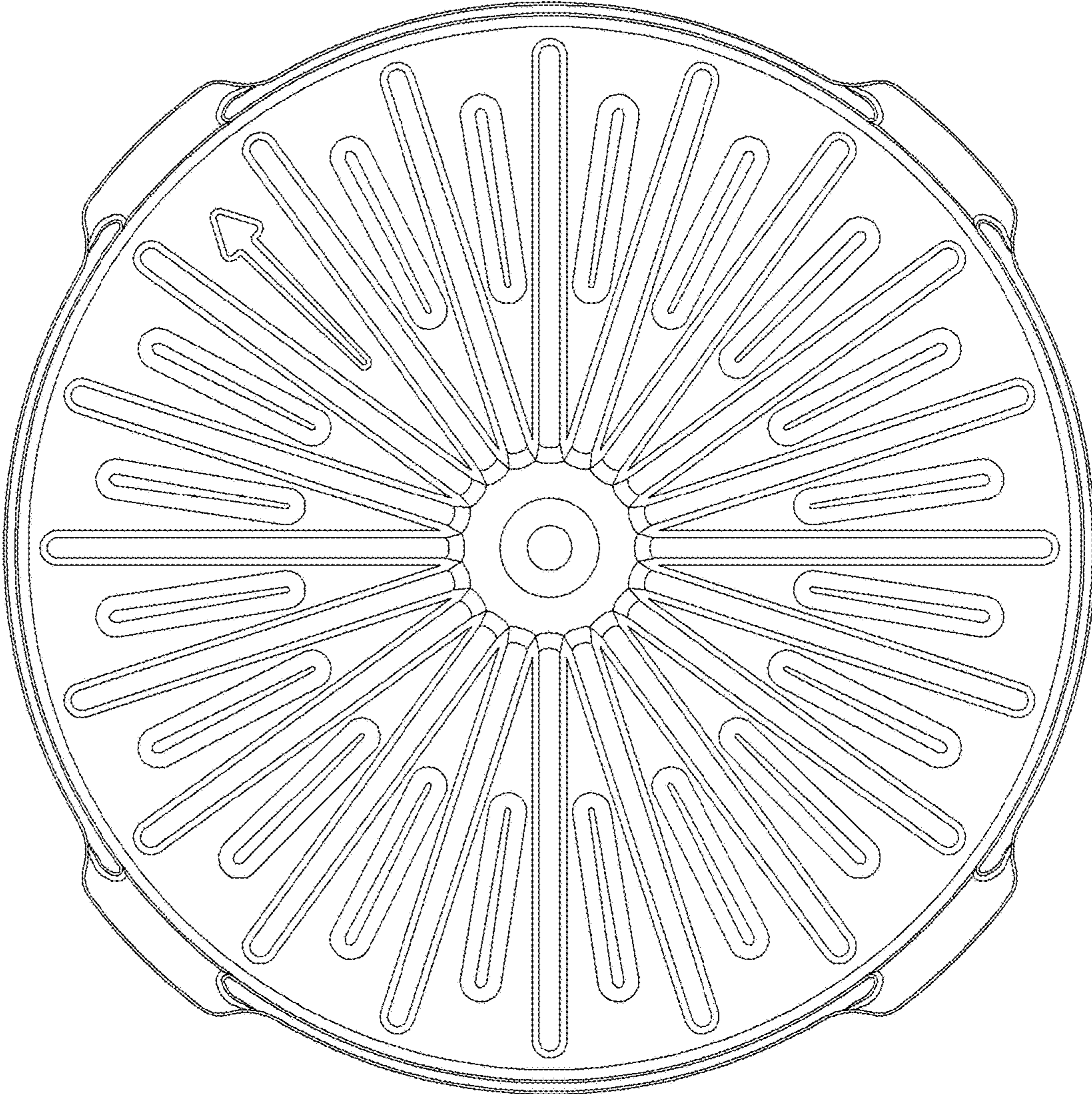


FIG. 7

