



US00D833203S

(12) **United States Design Patent**
Lee

(10) **Patent No.:** **US D833,203 S**
(45) **Date of Patent:** **** Nov. 13, 2018**

(54) **COOKING PAN**

(71) Applicant: **ZAIGLE CO., LTD.**, Seoul (KR)

(72) Inventor: **Jin Hee Lee**, Seoul (KR)

(73) Assignee: **ZAIGLE CO., LTD.**, Seoul (KR)

(**) Term: **15 Years**

(21) Appl. No.: **29/630,451**

(22) Filed: **Dec. 21, 2017**

(30) **Foreign Application Priority Data**

Jun. 23, 2017 (KR) 30-2017-0028944

(51) **LOC (11) Cl.** **07-02**

(52) **U.S. Cl.**
USPC **D7/359; D7/354; D7/362; D7/409**

(58) **Field of Classification Search**
USPC D7/323, 332, 335-337, 354-364,
D7/387-388, 392.1, 402, 407-409
CPC A21B 2/00; A21B 3/00; A21B 3/13; A21B
3/15; A21B 5/00; A21B 5/02; A23N
12/06; A23N 12/08; A23N 12/10; A47J
27/004; A47J 37/00; A47J 37/04; A47J
37/041; A47J 37/042; A47J 37/06; A47J
37/067; A47J 37/0688; A47J 37/0694;
A47J 37/07; A47J 37/0704; A47J 37/10;
A47J 47/20; A47J 2037/00; A47J
2037/06; A47J 2037/0611; A47J 2037/07;
A47J 2037/0786; A47J 2037/0795; F24C
15/10; F24C 15/12; F24C 15/14; F24C
15/16; F24C 15/164; F24C 15/18
See application file for complete search history.

(56) **References Cited**

U.S. PATENT DOCUMENTS

D223,854 S * 6/1972 Swett D7/392.1
6,082,249 A * 7/2000 Su A47J 27/004
99/340

D749,906 S * 2/2016 Lee D7/362
D764,861 S * 8/2016 Lee D7/352
D764,862 S * 8/2016 Lee D7/352
D768,430 S * 10/2016 Lee D7/352
D768,431 S * 10/2016 Lee A47J 27/004
D7/352
D769,059 S * 10/2016 Lee A47J 27/004
D7/352
D770,221 S * 11/2016 Lee A47J 37/067
D7/352
D807,680 S * 1/2018 Lee D7/357
D807,690 S * 1/2018 Lee D7/359
2009/0095168 A1 * 4/2009 Shu A47J 37/067
99/425
2010/0307347 A1 * 12/2010 Menashes A47J 27/004
99/340

* cited by examiner

Primary Examiner — Ricky Pham

(74) *Attorney, Agent, or Firm* — Kile Park Reed & Houtteman PLLC

(57) **CLAIM**

I claim, the ornamental design for a cooking pan, as shown and described.

DESCRIPTION

FIG. 1 is a top and front perspective view of a cooking pan, showing my new design;
FIG. 2 is a front view thereof;
FIG. 3 is a rear view thereof;
FIG. 4 is a left side view thereof;
FIG. 5 is a right side view thereof;
FIG. 6 is a top view thereof; and,
FIG. 7 is a bottom view thereof.

1 Claim, 5 Drawing Sheets

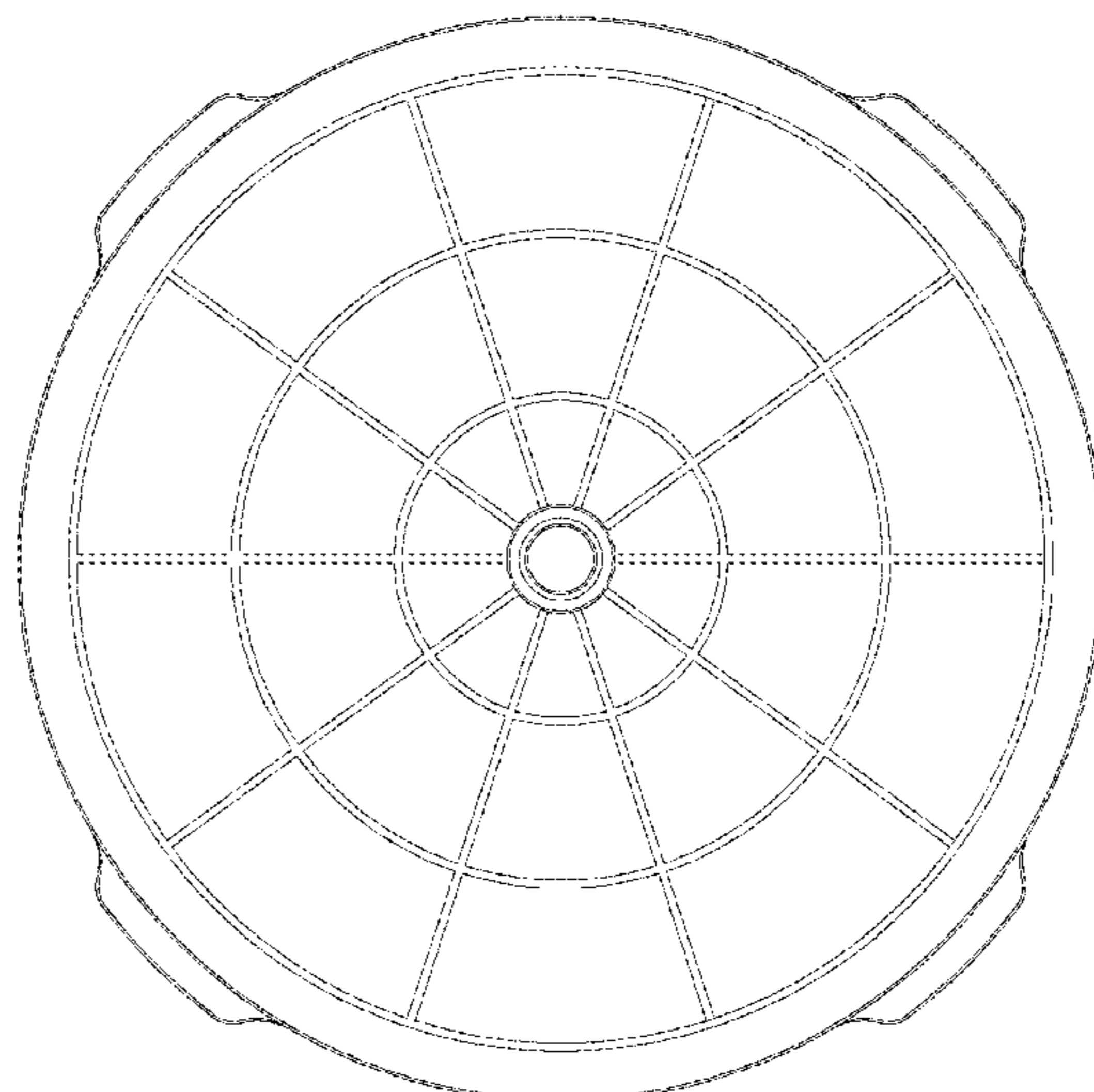
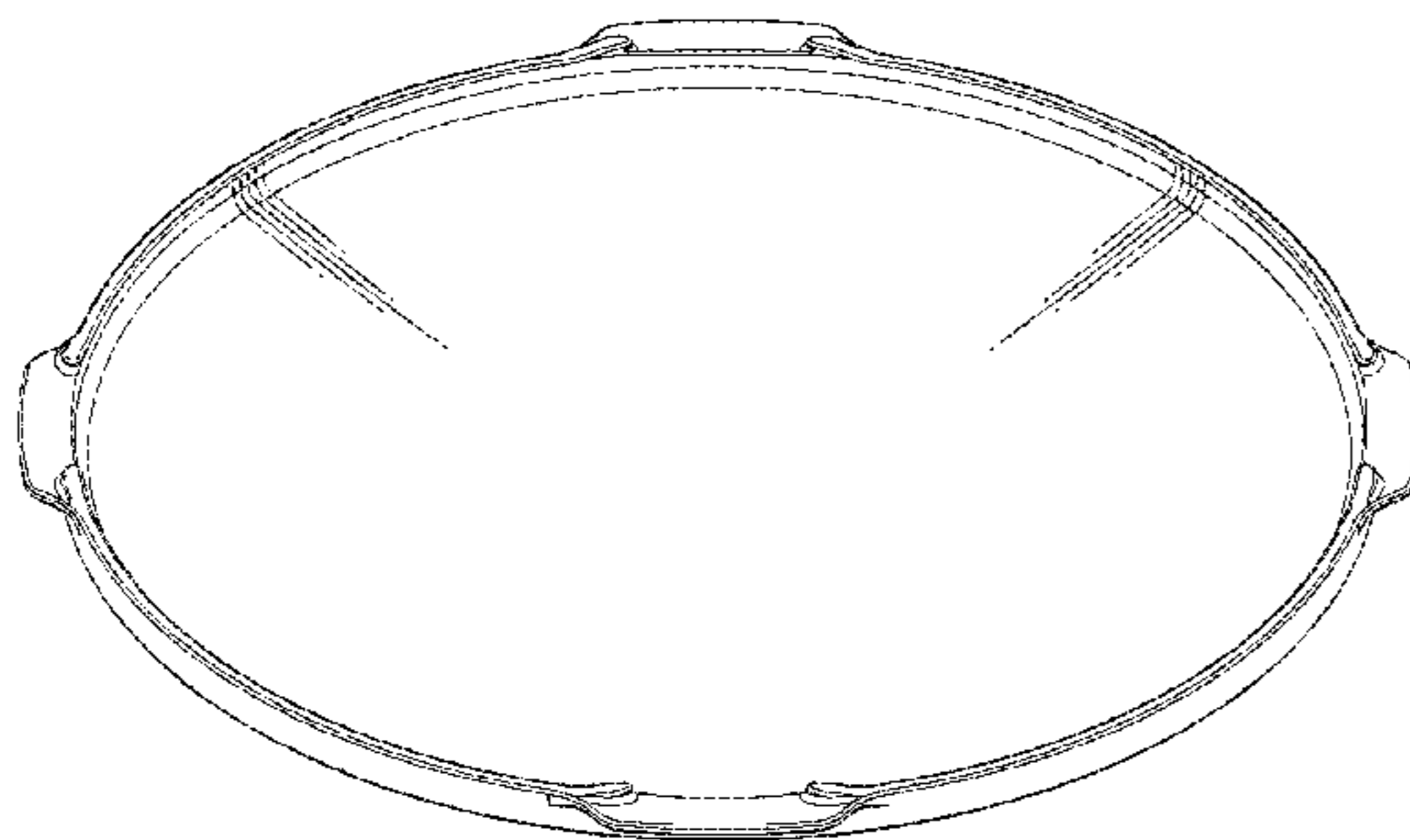


FIG. 1

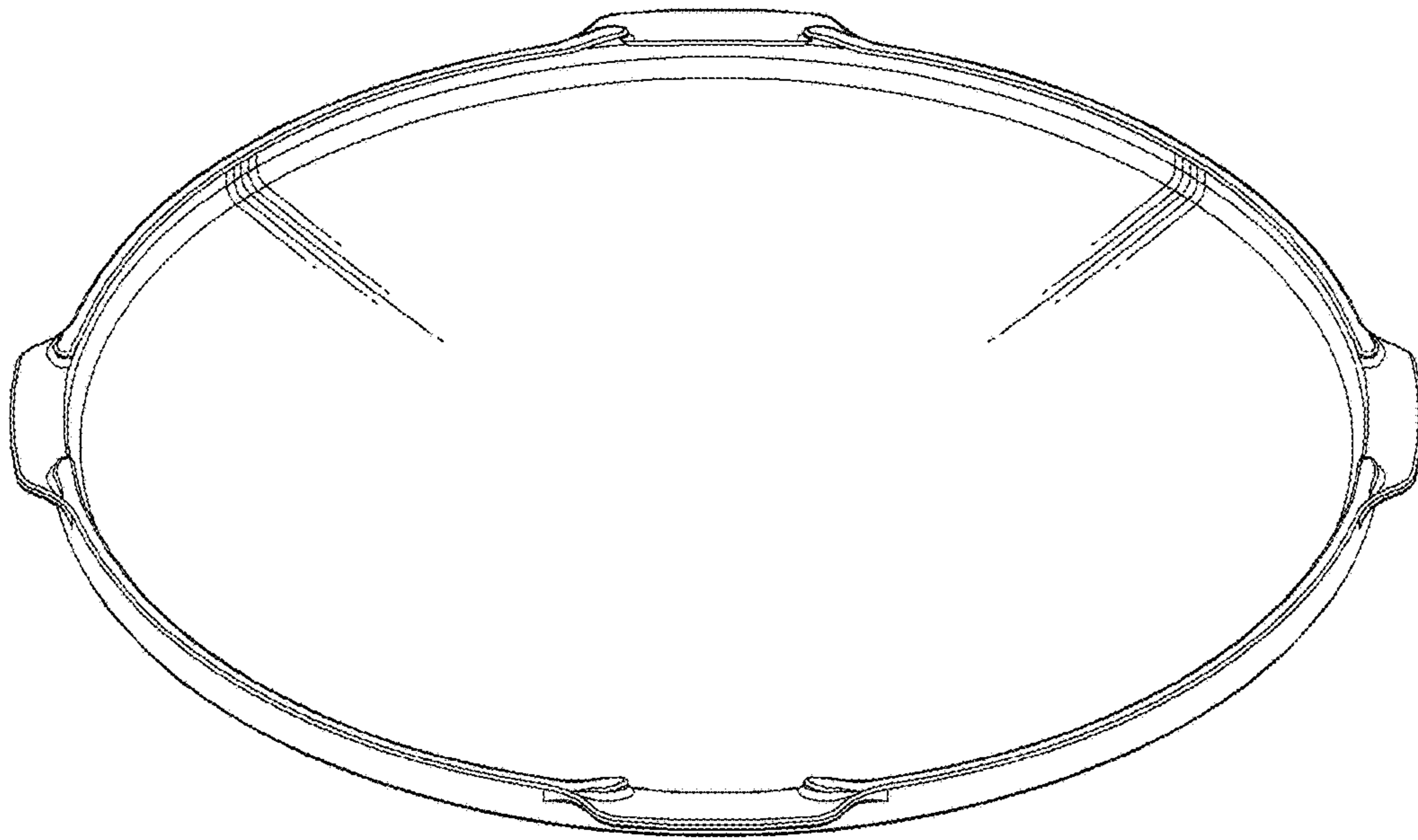


FIG. 2

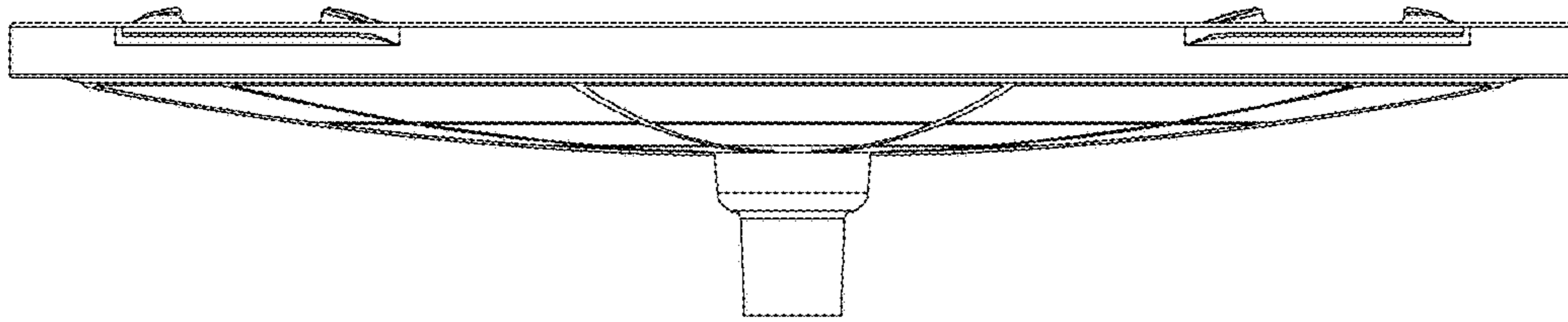


FIG. 3

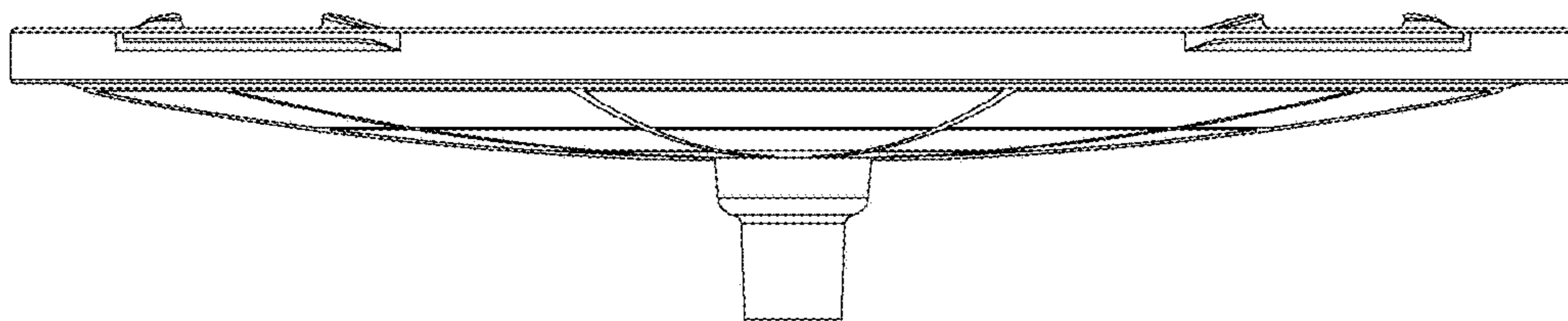


FIG. 4

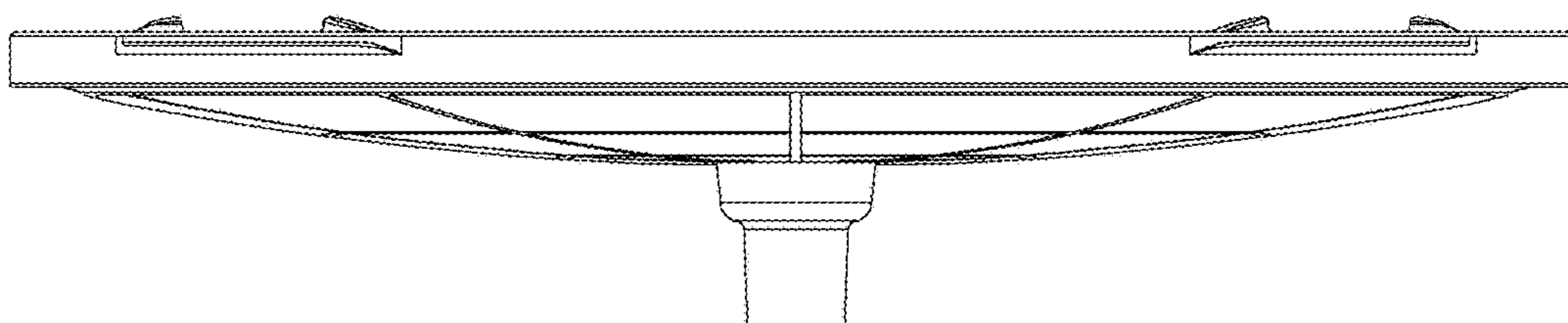


FIG. 5

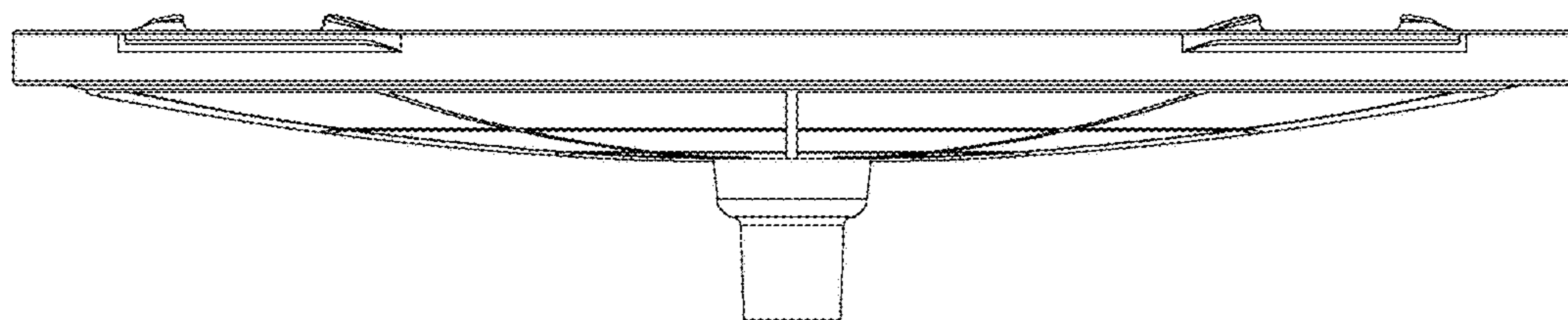


FIG. 6

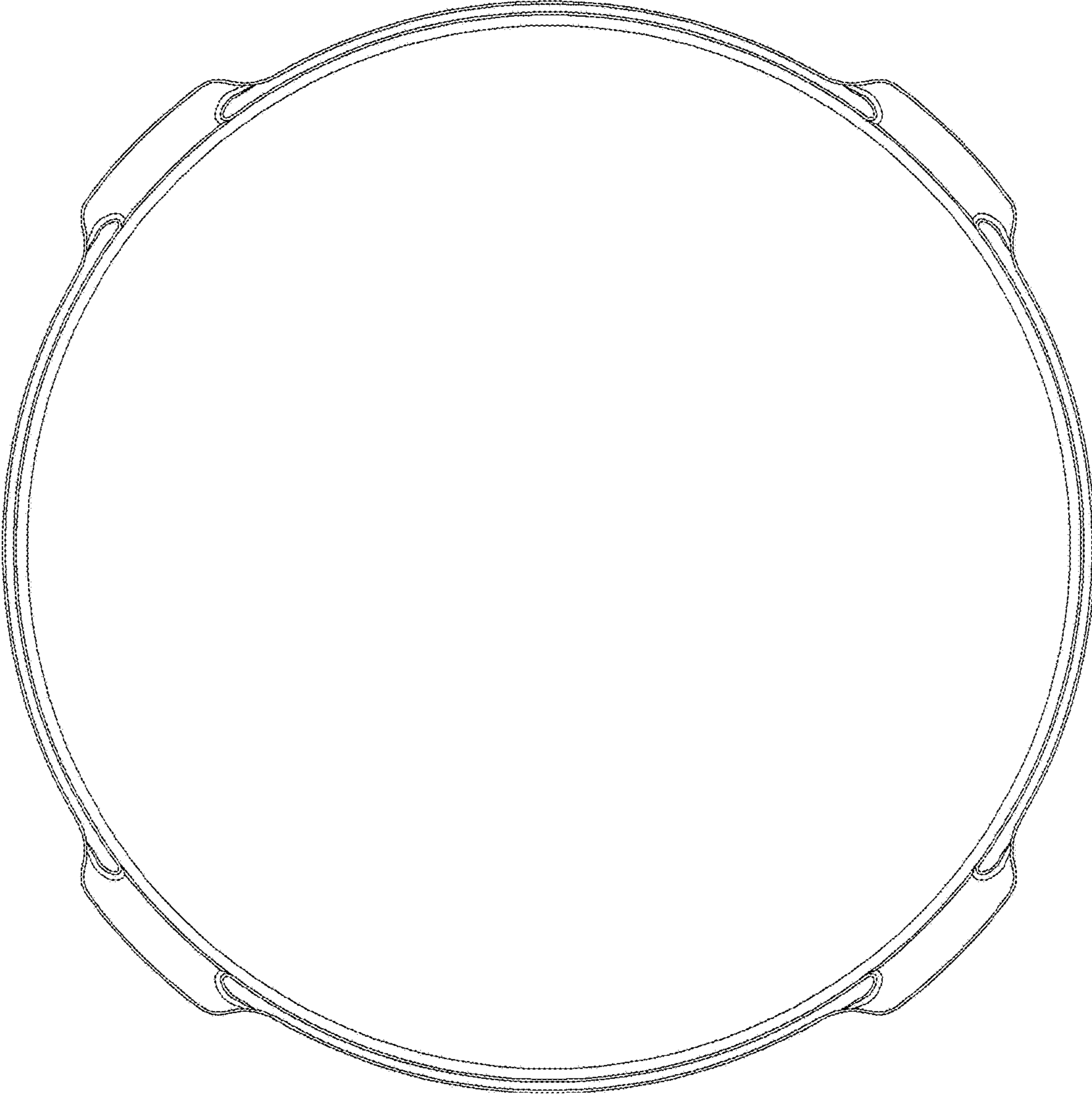


FIG. 7

