



US00D833202S

(12) **United States Design Patent**
Yang et al.

(10) **Patent No.:** **US D833,202 S**
(45) **Date of Patent:** **** Nov. 13, 2018**

- (54) **PRESSURE COOKER**
- (71) Applicant: **ETEK CITY CORPORATION**,
Anaheim, CA (US)
- (72) Inventors: **Lin Yang**, Shenzhen (CN); **Hai Yang**,
Shenzhen (CN)
- (**) Term: **15 Years**
- (21) Appl. No.: **29/629,717**
- (22) Filed: **Dec. 15, 2017**
- (51) **LOC (11) Cl.** **07-02**
- (52) **U.S. Cl.**
USPC **D7/358; D7/354**
- (58) **Field of Classification Search**
USPC D7/323, 354-361, 391, 393
CPC A47J 27/00; A47J 27/004; A47J 27/08;
A47J 27/0802; A47J 27/0804; A47J
27/0811; A47J 27/0813; A47J 27/0815;
A47J 27/0817; A47J 27/084; A47J 27/09;
A47J 27/092; A47J 36/025; A47J 36/06;
A47J 37/12; A47J 37/1204; A47J
37/1209; A47J 45/07; A47J 45/071; A47J
45/074; A47J 45/08; B01D 2201/345;
B01J 3/03; B01J 3/04; F01P 2011/0247;
F01P 2011/0252; H05B 1/0266; H05B
6/00; H05B 6/02; H05B 6/06
See application file for complete search history.

- (56) **References Cited**
U.S. PATENT DOCUMENTS
D635,818 S * 4/2011 Tse D7/354
D644,476 S * 9/2011 Gregory D7/354

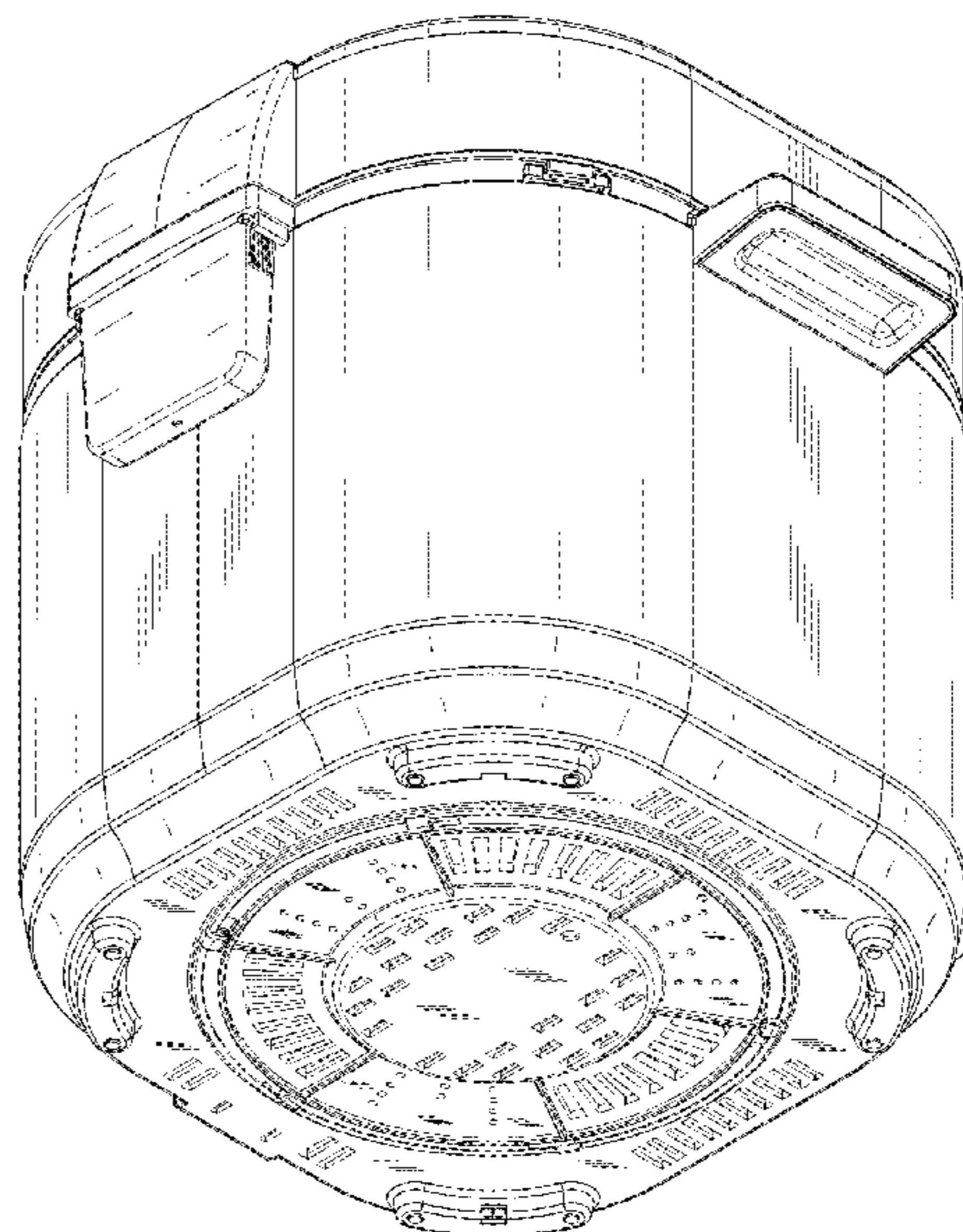
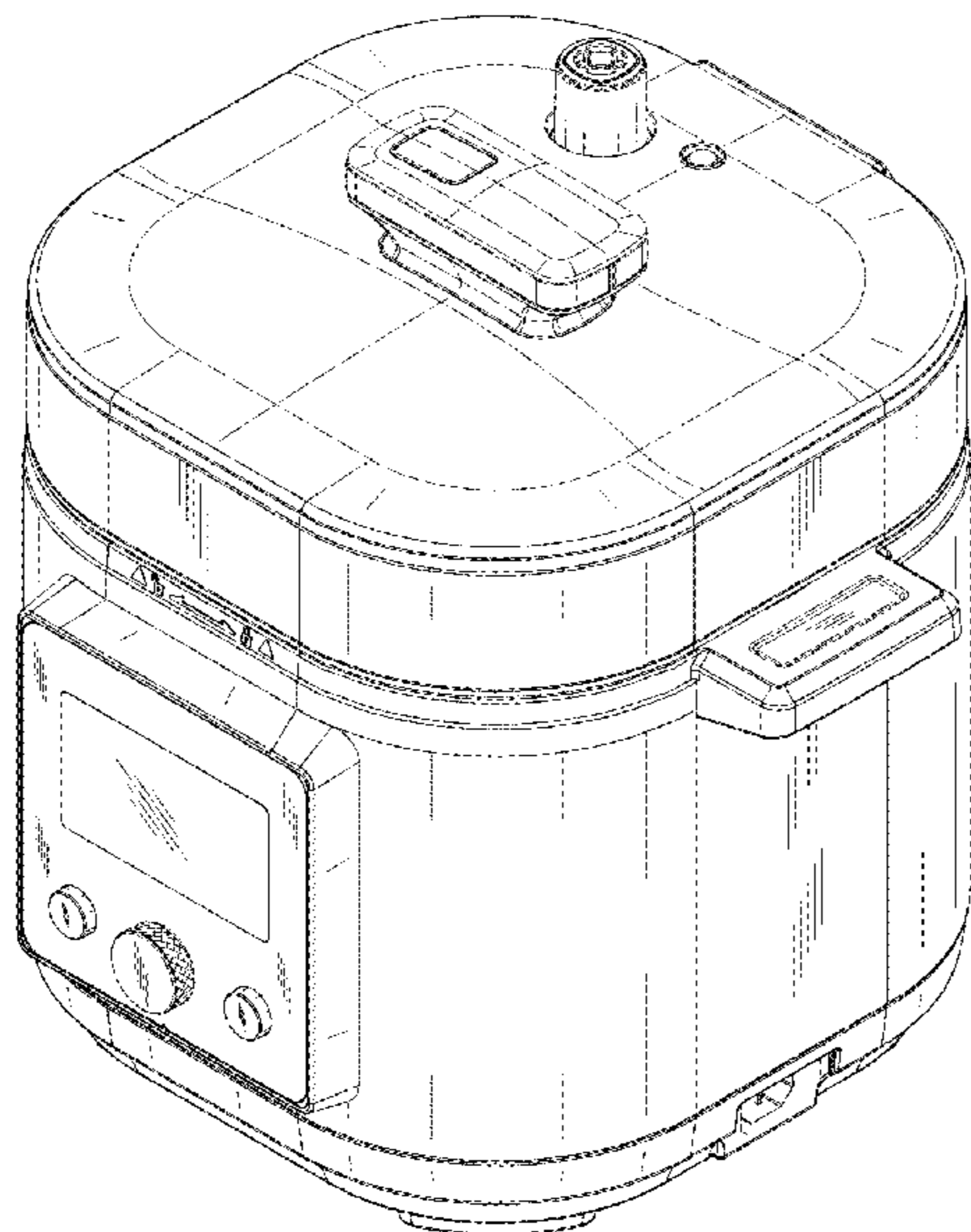
- D682,009 S * 5/2013 Day A47J 27/004
D7/354
- D697,363 S * 1/2014 Tu D7/354
- D698,595 S * 2/2014 Kunz D7/354
- D802,987 S * 11/2017 Corlay H05B 1/0266
D7/358
- D820,631 S * 6/2018 Ye A47J 27/004
D7/357
- 2007/0221651 A1 * 9/2007 Kristina A47J 27/004
219/432
- 2008/0083730 A1 * 4/2008 Dolgov A47J 27/004
219/432
- 2012/0288595 A1 * 11/2012 Randall H05B 1/0266
426/231
- 2016/0198883 A1 * 7/2016 Wang A47J 27/08
426/231

* cited by examiner
Primary Examiner — Ricky Pham
(74) *Attorney, Agent, or Firm* — Tsz Lung Yeung

(57) **CLAIM**
The ornamental design for a pressure cooker, as shown and described.

DESCRIPTION
FIG. 1 is a perspective view of a pressure cooker showing our new design;
FIG. 2 is a front view thereof;
FIG. 3 is a rear view thereof;
FIG. 4 is a right end view thereof;
FIG. 5 is a left end view thereof;
FIG. 6 is a top view thereof;
FIG. 7 is a bottom view thereof; and,
FIG. 8 is a bottom perspective view thereof.

1 Claim, 8 Drawing Sheets



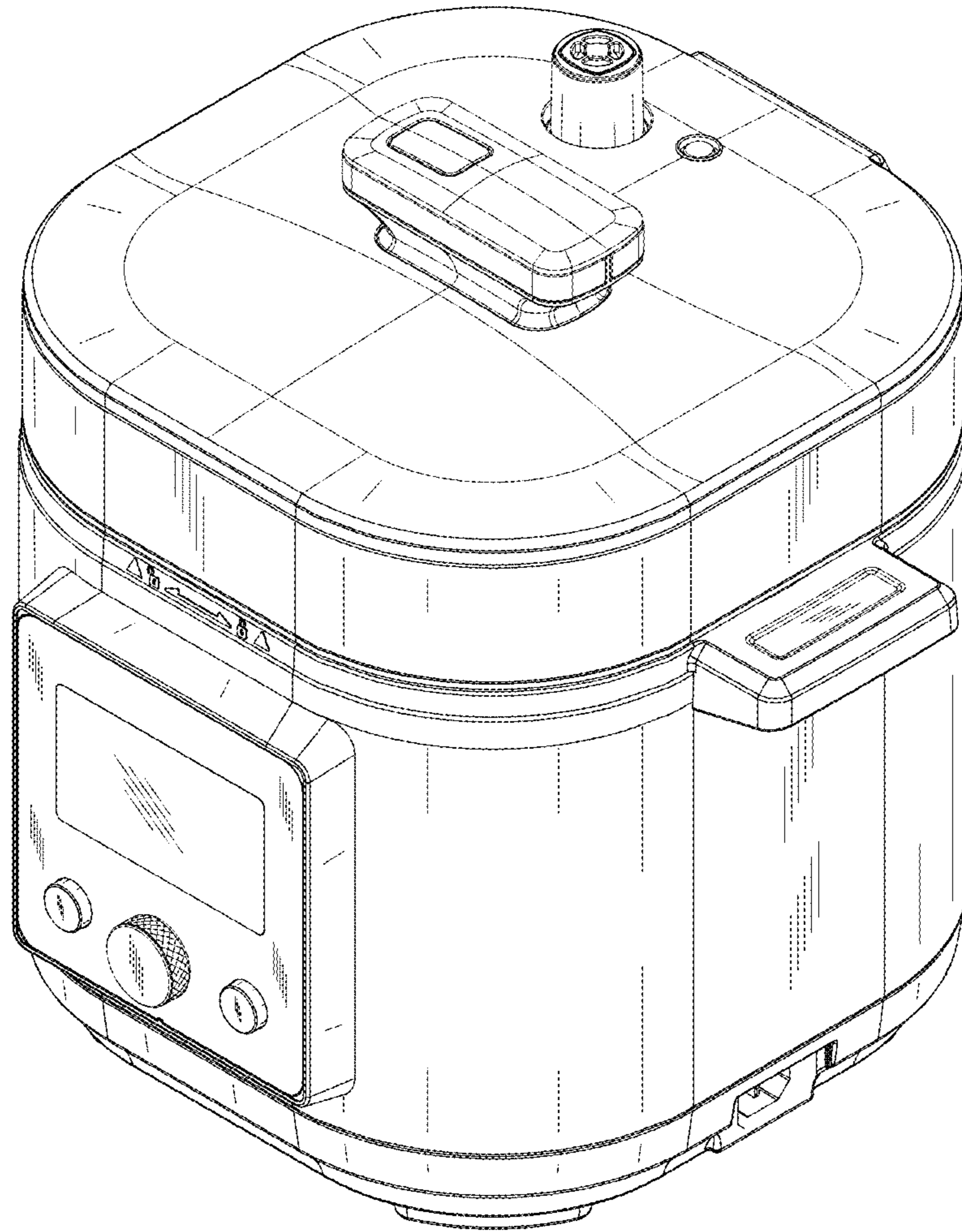


FIG. 1

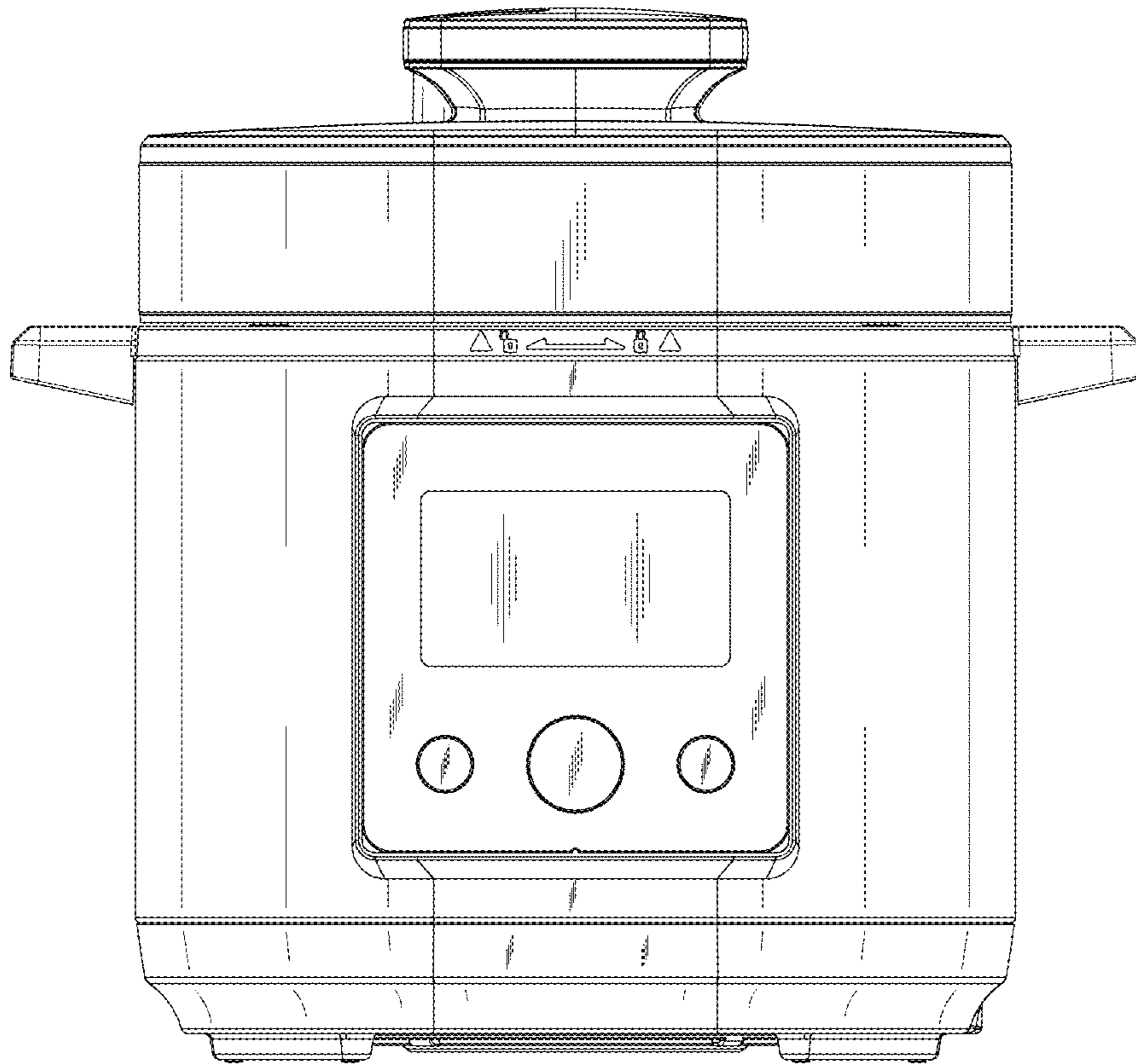


FIG. 2

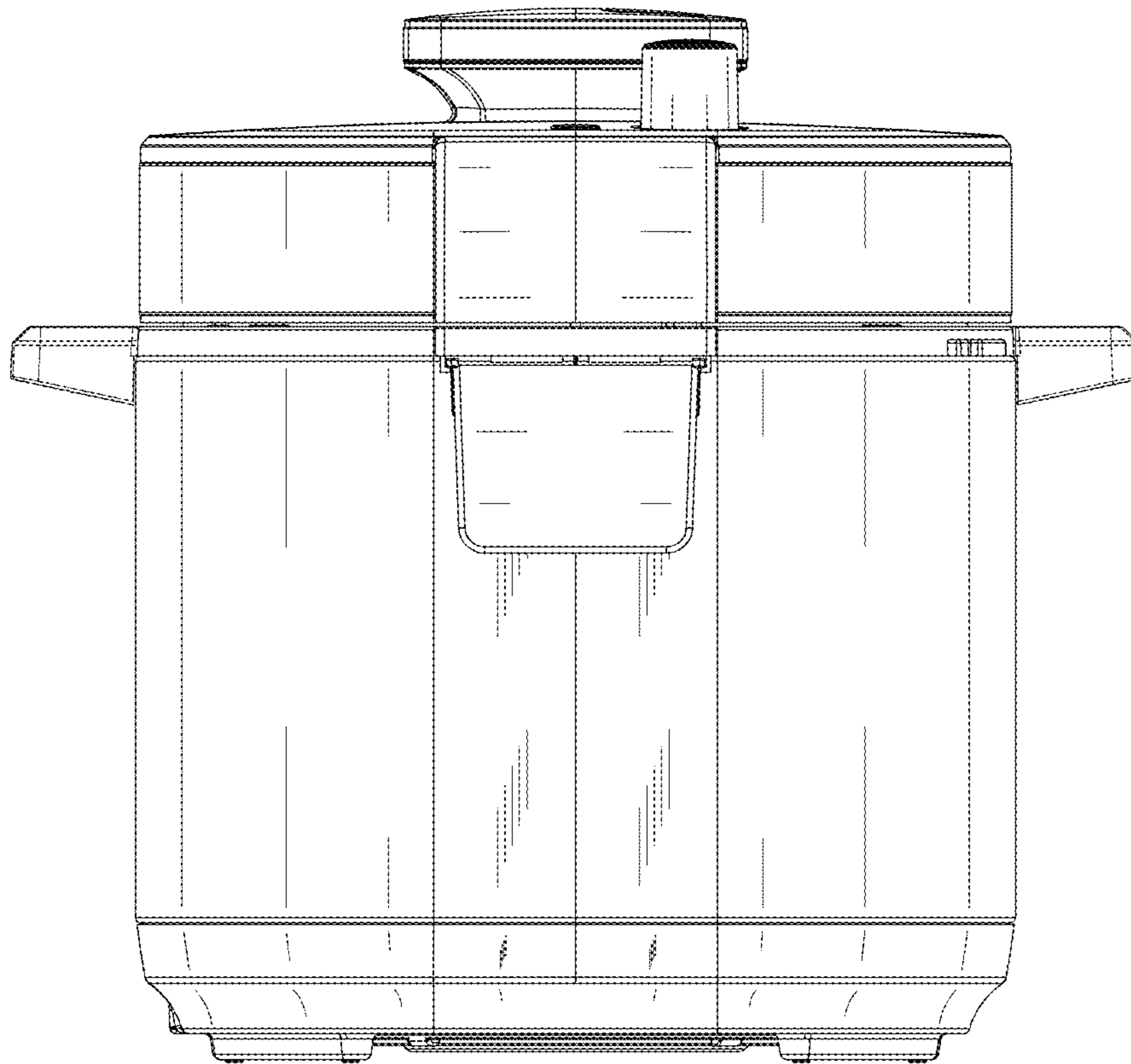


FIG. 3

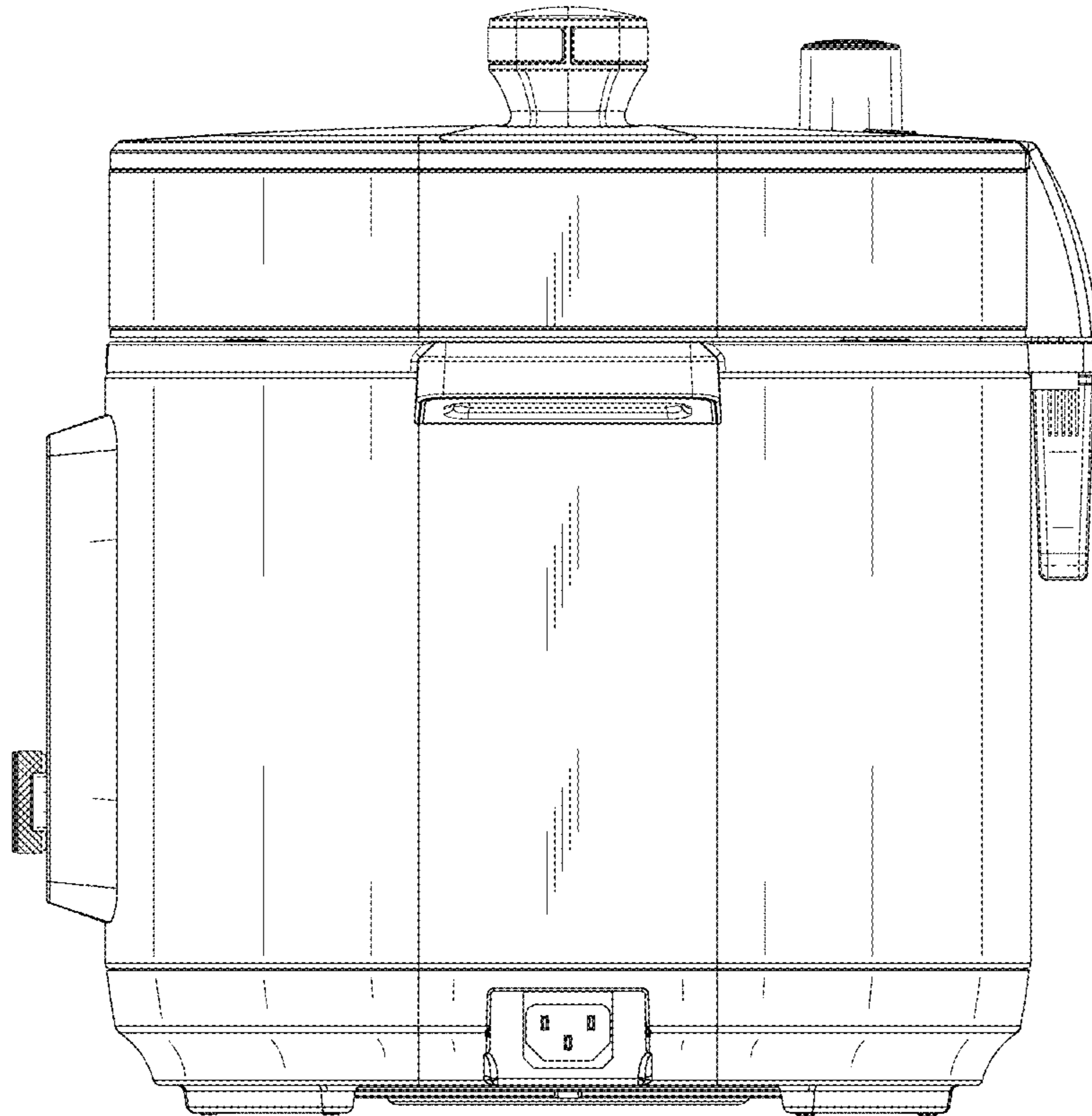


FIG. 4

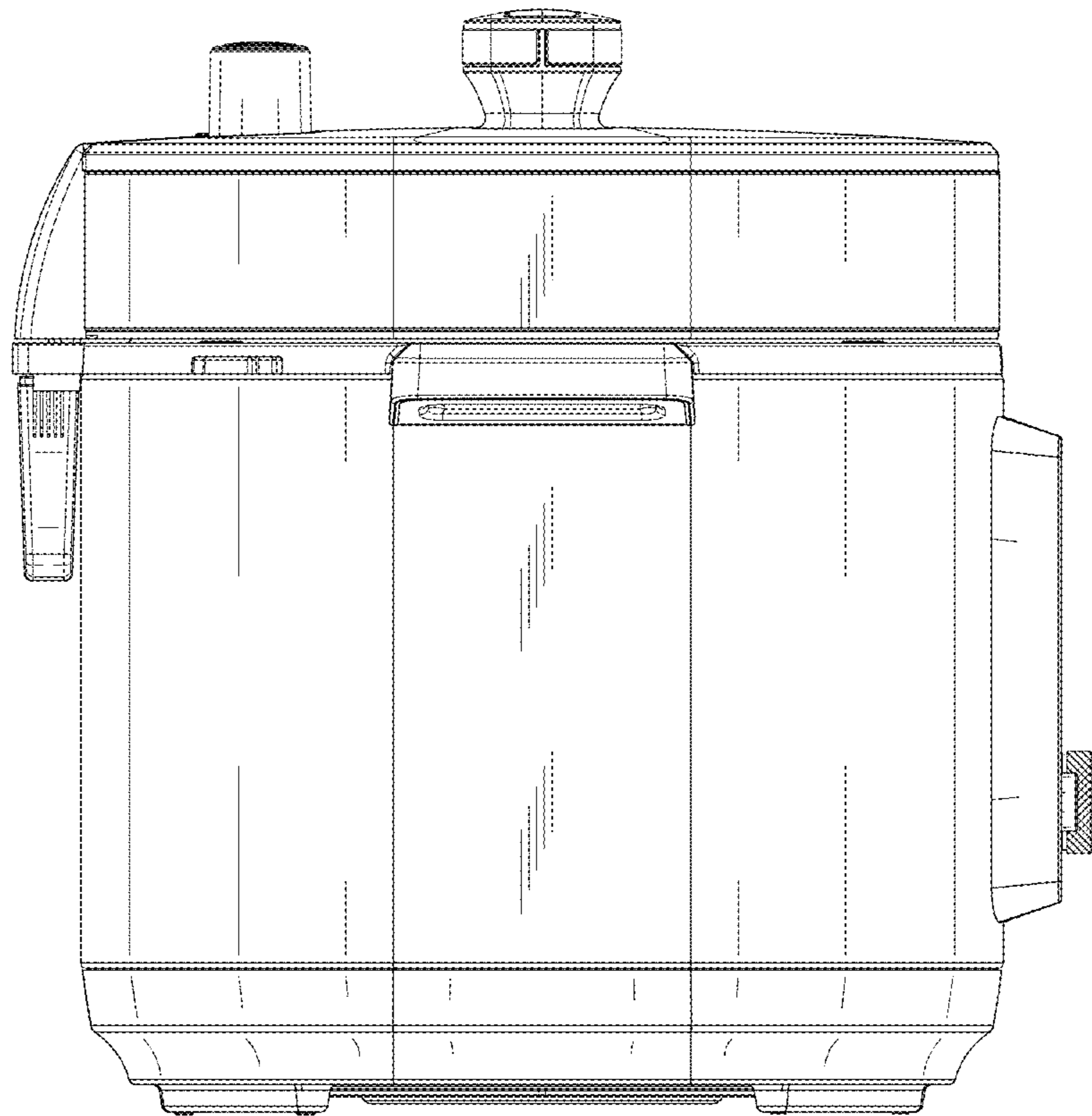


FIG. 5

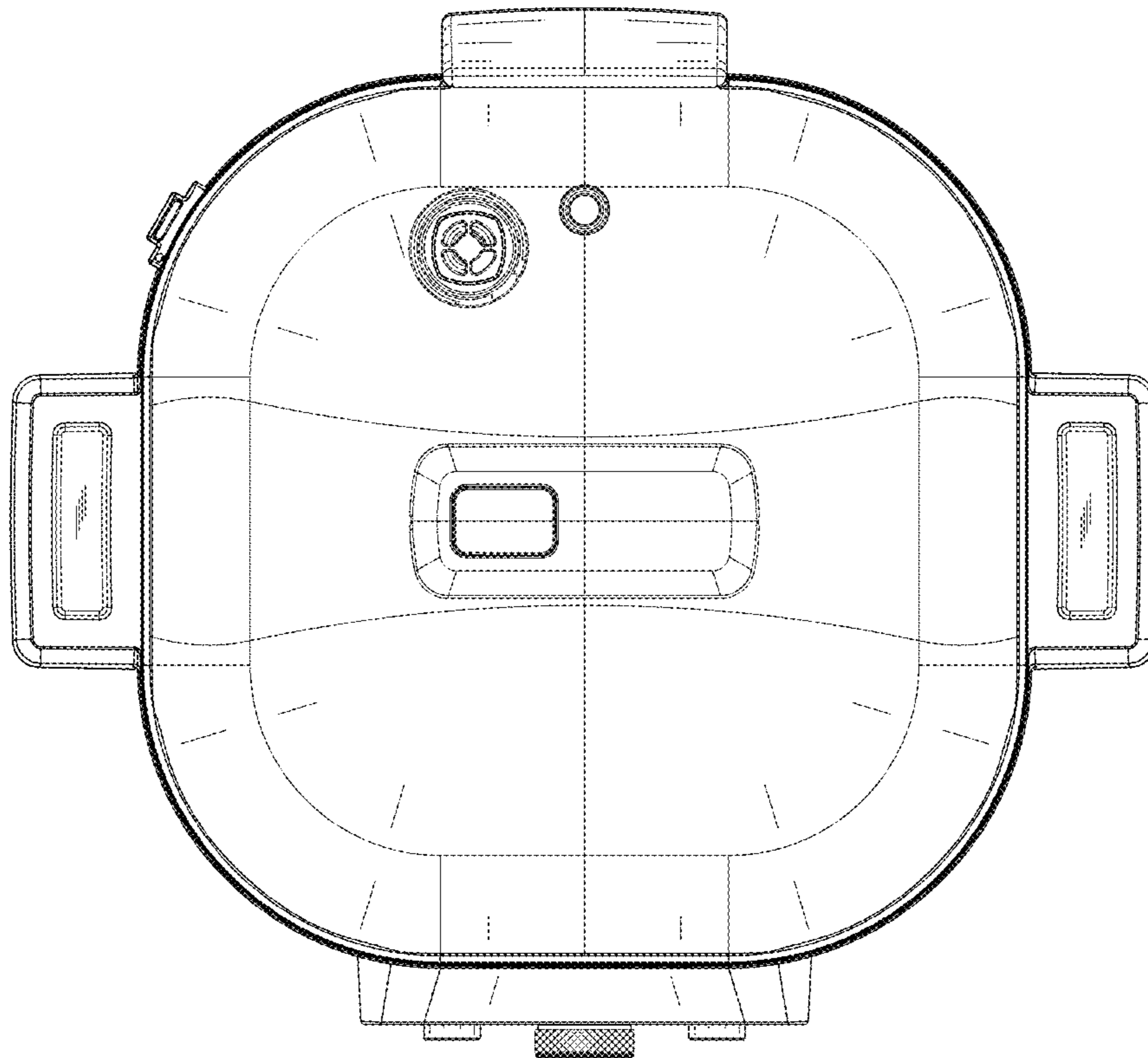


FIG. 6

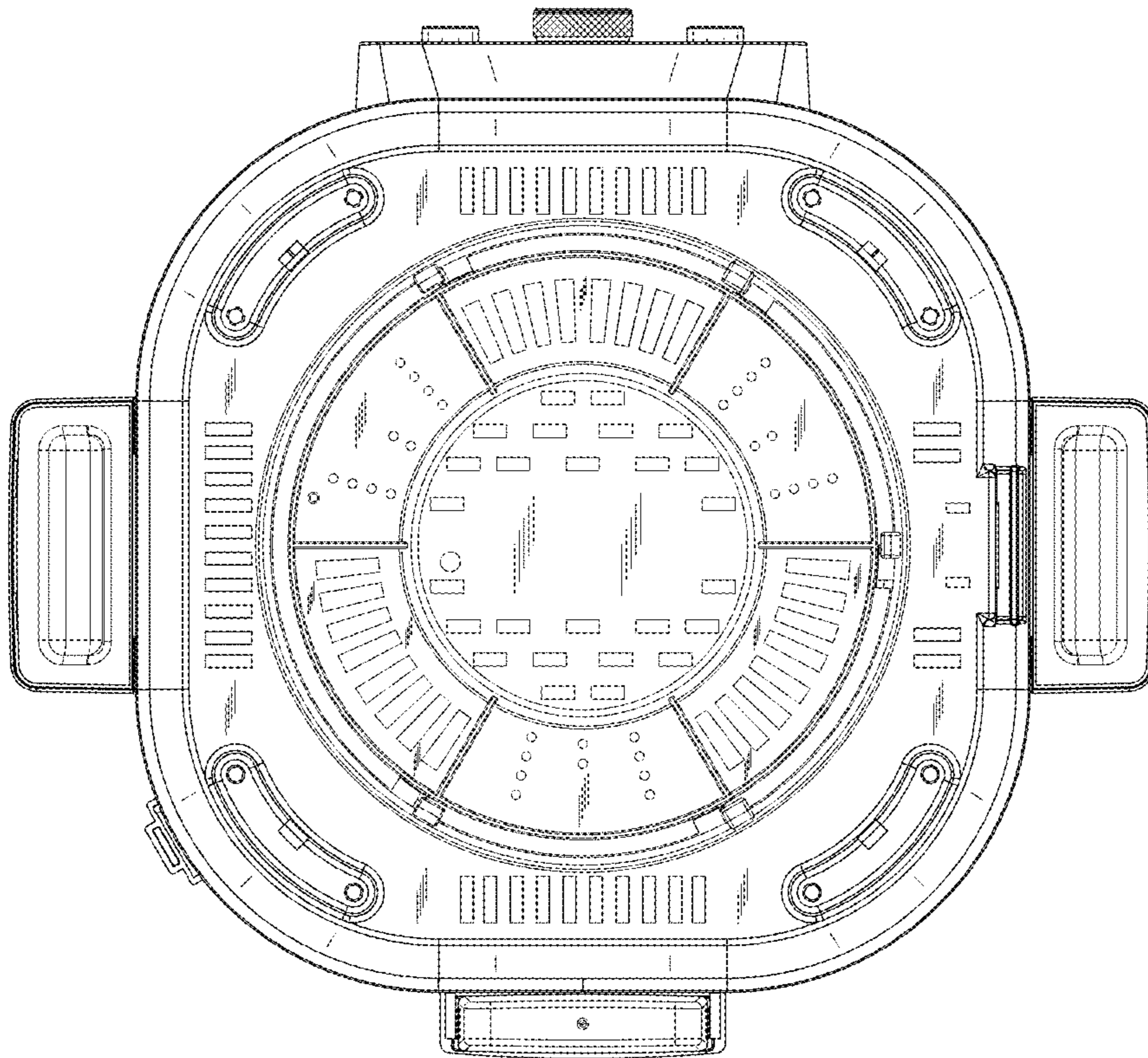


FIG. 7

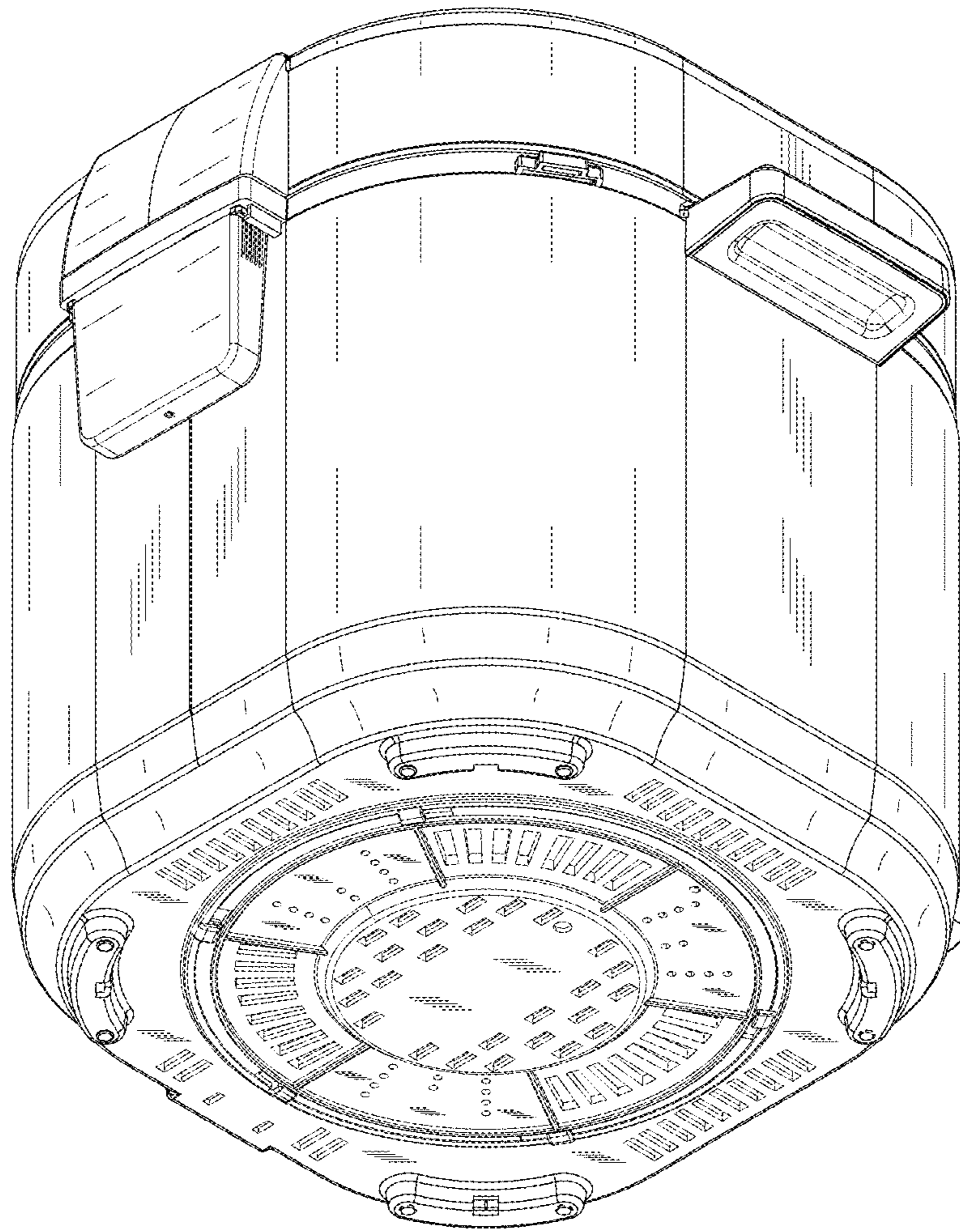


FIG. 8