



US00D833201S

(12) **United States Design Patent**
Lee

(10) **Patent No.:** **US D833,201 S**
(45) **Date of Patent:** **** Nov. 13, 2018**

(54) **COOKING PAN**

(71) Applicant: **ZAIGLE CO., LTD.**, Seoul (KR)

(72) Inventor: **Jin Hee Lee**, Seoul (KR)

(73) Assignee: **ZAIGLE CO., LTD.**, Seoul (KR)

(**) Term: **15 Years**

(21) Appl. No.: **29/630,449**

(22) Filed: **Dec. 21, 2017**

(30) **Foreign Application Priority Data**

Jun. 23, 2017 (KR) 30-2017-0028943

(51) **LOC (11) Cl.** **07-02**

(52) **U.S. Cl.**
USPC **D7/352; D7/359; D7/362; D7/409**

(58) **Field of Classification Search**
USPC **D7/323, 328-330, 337, 347, 352-365, D7/367, 402, 409-411, 545, 554.3, 570; D9/424**

CPC . **A21B 5/023; A47J 27/60; A47J 27/62; A47J 37/04; A47J 37/06; A47J 37/067; A47J 37/0605; A47J 37/0611; A47J 37/0623; A47J 37/0629; A47J 37/0676; A47J 37/10; A47J 2037/06; A47J 2037/0611; B05C 17/02; B65D 1/34; F24C 15/10; F24C 15/102; H05B 6/02; H05B 6/062**

See application file for complete search history.

(56) **References Cited**

U.S. PATENT DOCUMENTS

344,193 A * 6/1886 Mitchell A47J 37/10
99/422
D51,837 S * 3/1918 Evans D7/354

D126,356 S * 4/1941 Brown D7/354
D226,285 S * 2/1973 Bateman D7/554.3
D358,965 S * 6/1995 Meier D7/554.3
D425,759 S * 5/2000 Henry D7/354
D461,995 S * 8/2002 Massaloux D7/545
D550,043 S * 9/2007 Brattoli A47J 37/10
220/626
D688,090 S * 8/2013 Lee D7/362
D710,143 S * 8/2014 Lee D7/362
D764,223 S * 8/2016 Lee D7/352
D768,428 S * 10/2016 Lee D7/352
D769,055 S * 10/2016 Lee D7/352

* cited by examiner

Primary Examiner — Ricky Pham

(74) *Attorney, Agent, or Firm* — Kile Park Reed & Houtteman PLLC

(57) **CLAIM**

I claim, the ornamental design for a cooking pan, as shown and described.

DESCRIPTION

FIG. 1 is a top and front perspective view of a cooking pan, showing my new design;
FIG. 2 is a front view thereof;
FIG. 3 is a rear view thereof;
FIG. 4 is a left side view thereof;
FIG. 5 is a right side view thereof;
FIG. 6 is a top view thereof;
FIG. 7 is a bottom view thereof; and,
FIG. 8 is an exploded reference perspective view showing how the cooking pan is placed on a heating cooker in the arrow direction.

The broken lines in FIG. 8 are shown for the purpose of illustrating parts of the heating cooker that form no part of the claim.

1 Claim, 6 Drawing Sheets

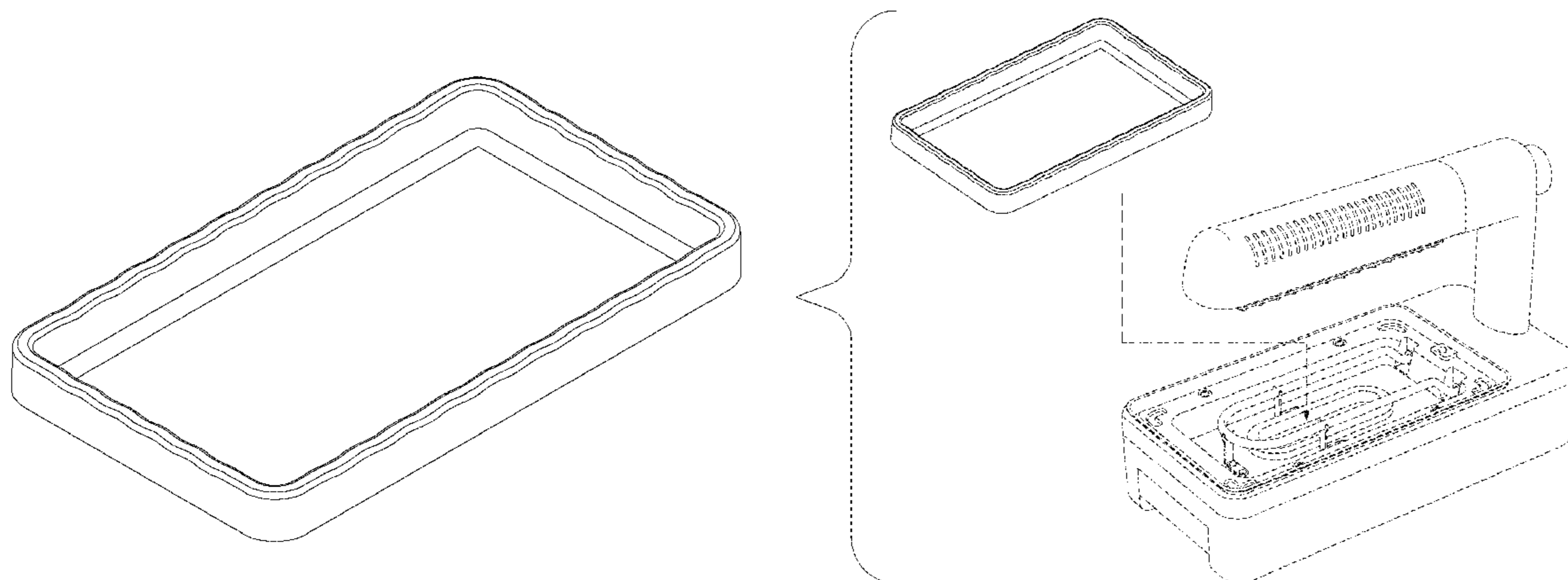


FIG. 1

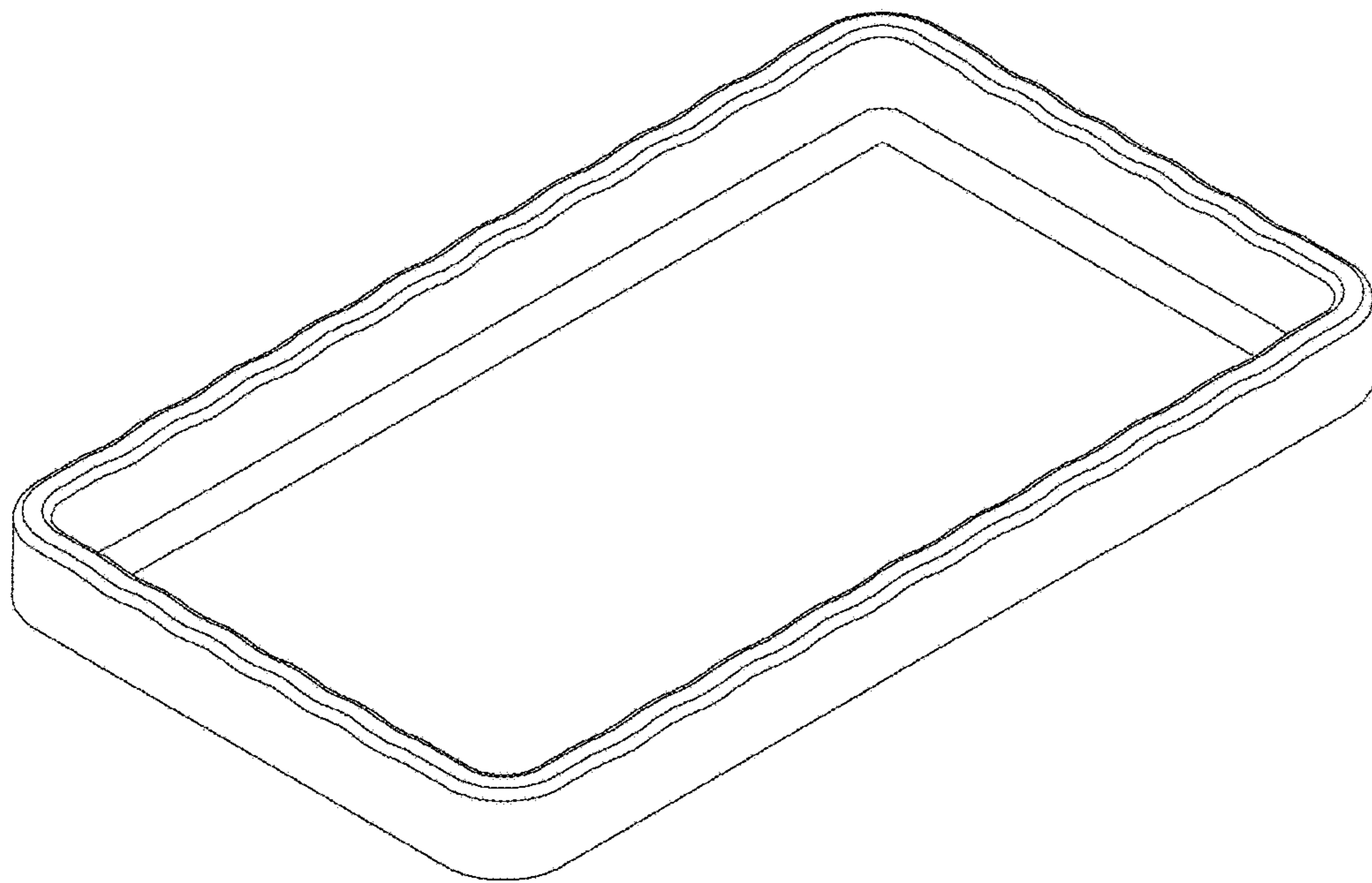


FIG. 2

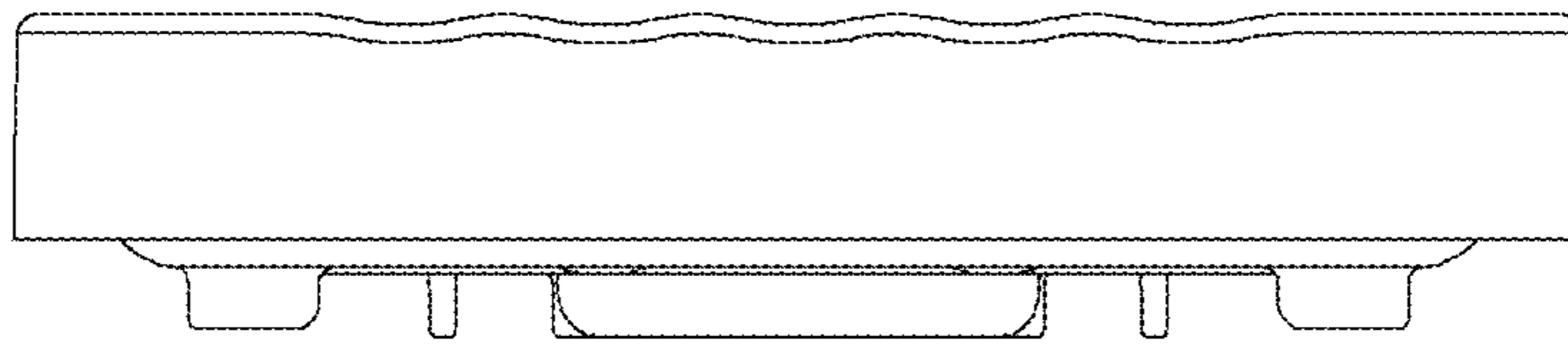


FIG. 3

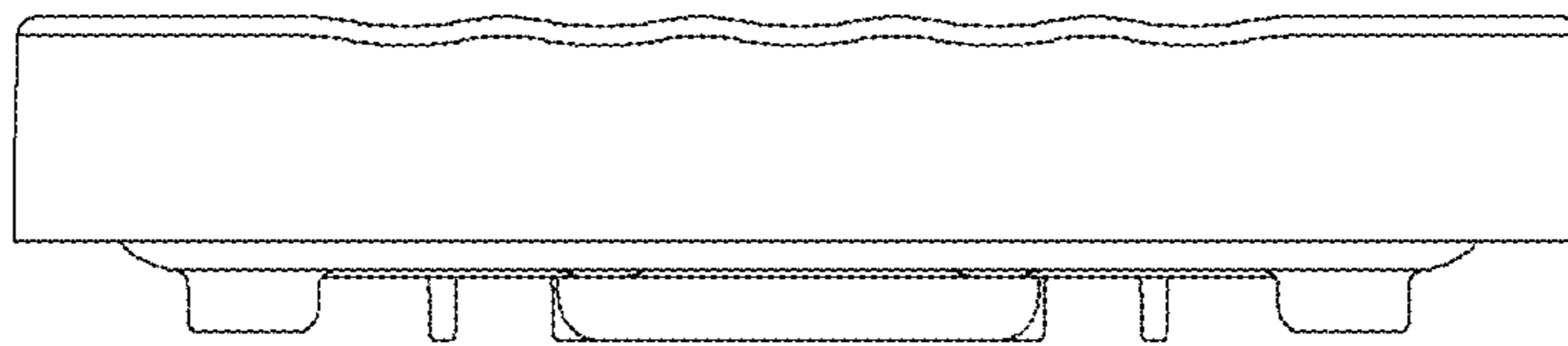


FIG. 4

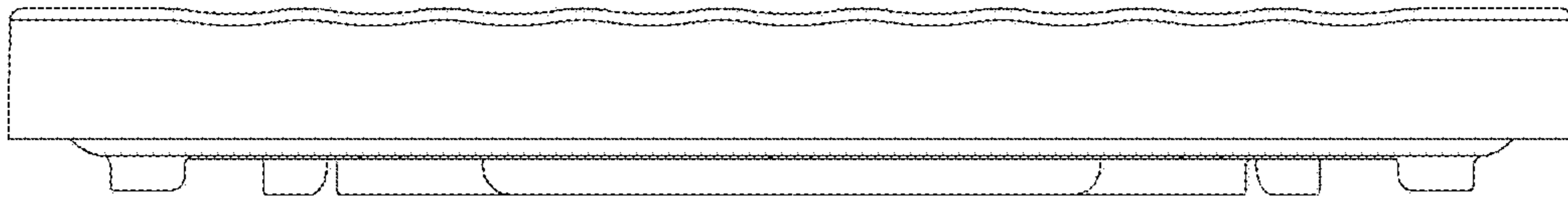


FIG. 5

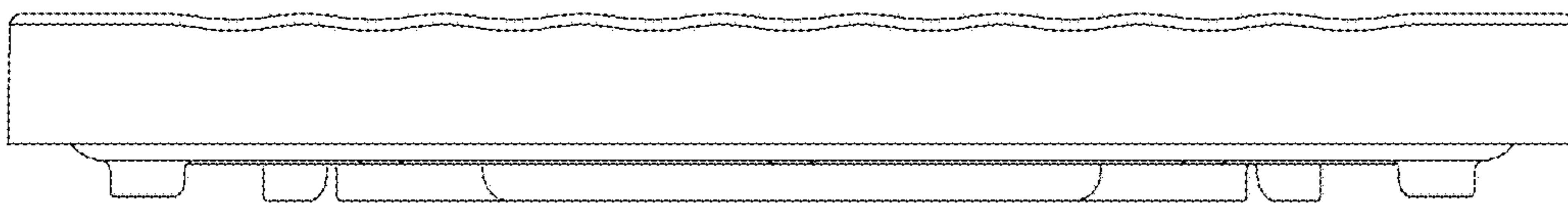


FIG. 6

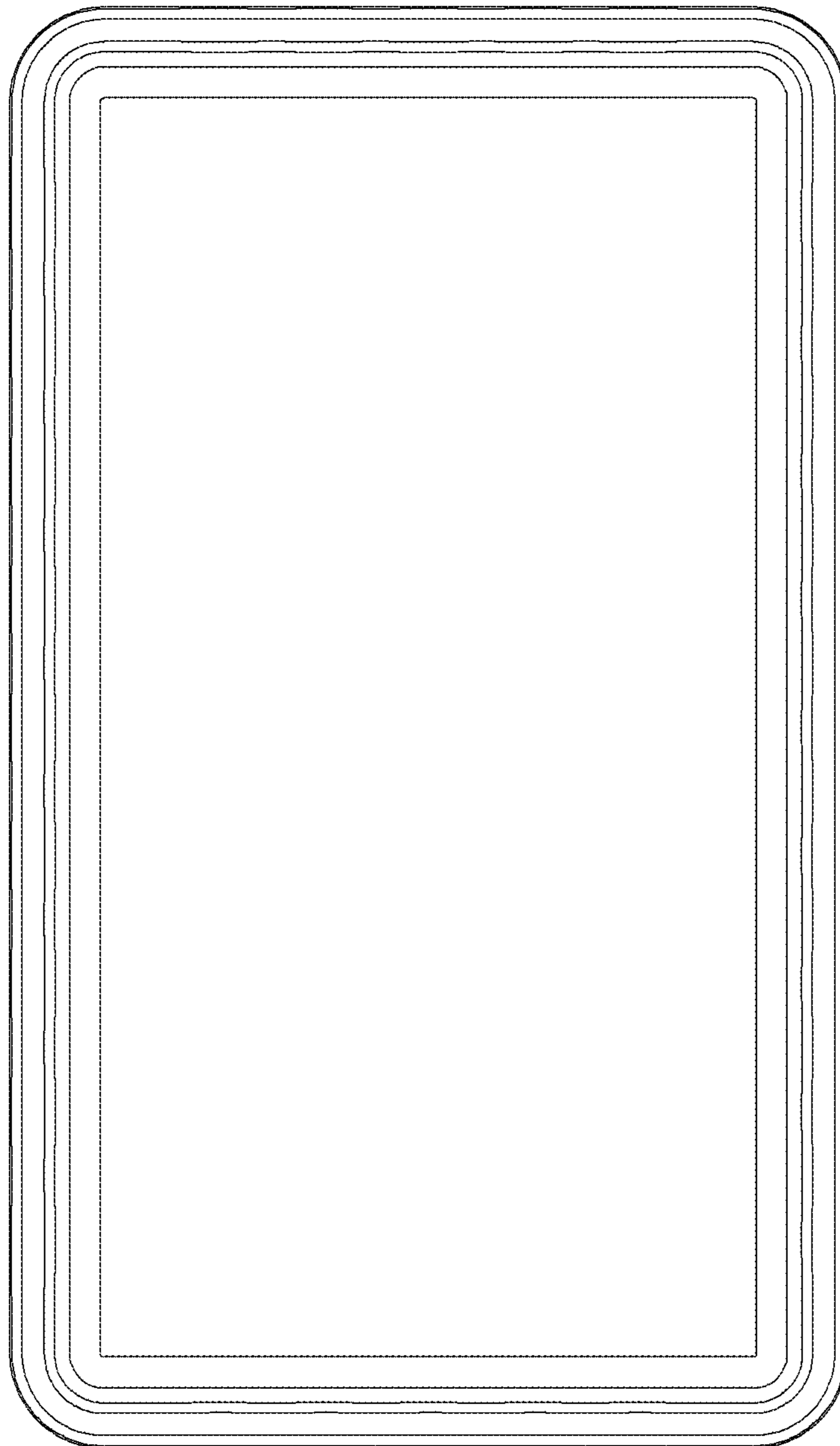


FIG. 7

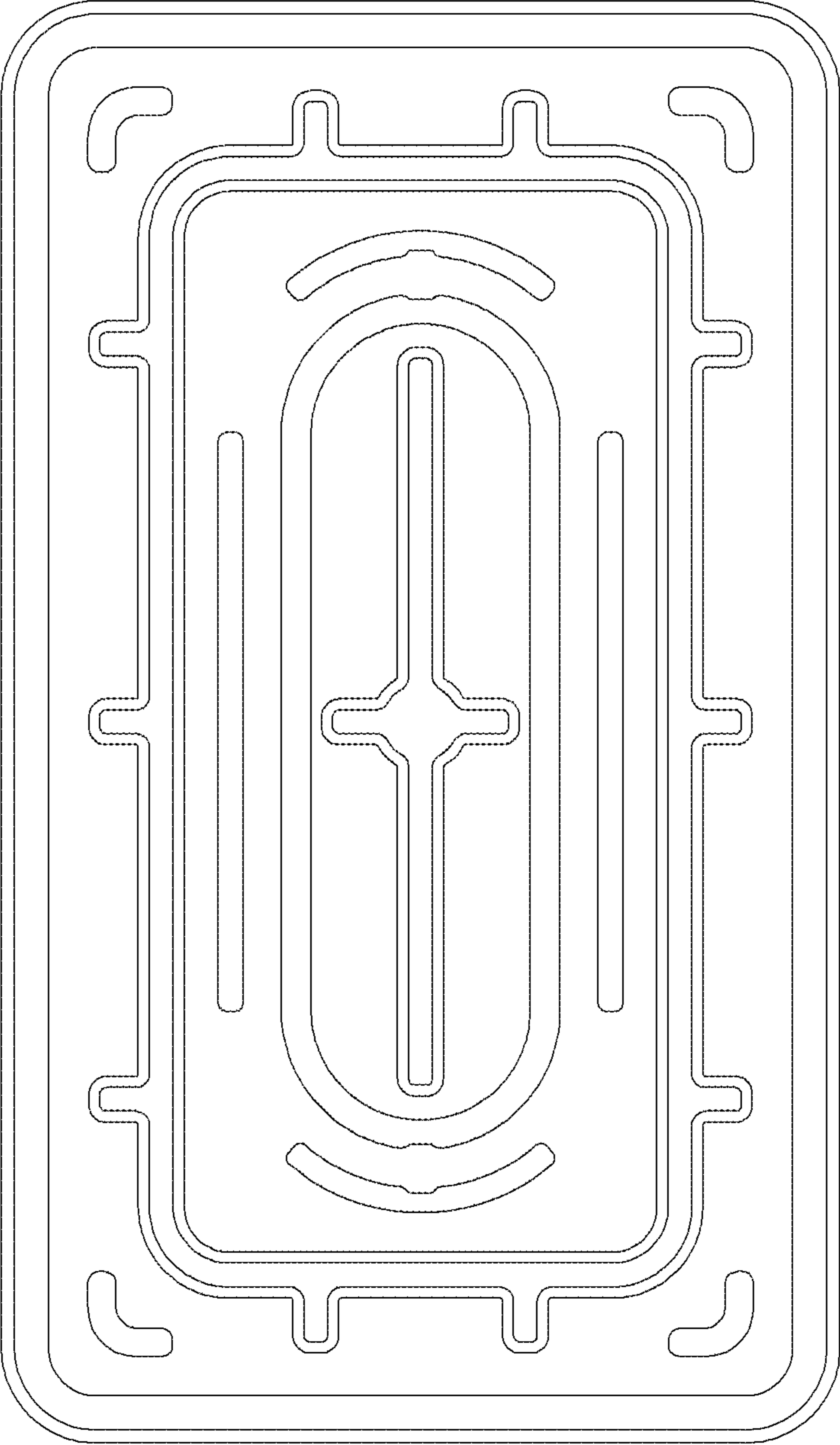


FIG. 8

