



US00D833199S

(12) **United States Design Patent** (10) **Patent No.:** **US D833,199 S**  
**Lee** (45) **Date of Patent:** **\*\* Nov. 13, 2018**

(54) **INFRARED HEATING COOKER**  
(71) Applicant: **ZAIGLE CO., LTD.**, Seoul (KR)  
(72) Inventor: **Jin Hee Lee**, Seoul (KR)  
(73) Assignee: **ZAIGLE CO., LTD.**, Seoul (KR)  
(\*\*) Term: **15 Years**

(21) Appl. No.: **29/595,681**  
(22) Filed: **Mar. 1, 2017**

(30) **Foreign Application Priority Data**  
Sep. 8, 2016 (KR) ..... 30-2016-0044265  
(51) **LOC (11) Cl.** ..... **07-02**  
(52) **U.S. Cl.**  
USPC ..... **D7/352**  
(58) **Field of Classification Search**  
USPC ..... D7/323, 334, 339-341, 352, 354-355,  
D7/362-367, 402-403, 601  
CPC ..... A21B 1/06; A21B 1/50; A21B 1/52; A47J  
37/0611; A47J 37/0629; A47J 37/0676;  
A47J 37/108; F24C 7/06; F24C 7/083;  
F24C 15/02; F24C 15/66; H05B 3/20;  
H05B 3/40  
See application file for complete search history.

(56) **References Cited**  
**U.S. PATENT DOCUMENTS**  
D196,826 S \* 11/1963 Norton ..... D7/365  
3,251,355 A \* 5/1966 Keating ..... A47J 36/26  
126/40  
3,550,285 A \* 12/1970 Omohundro ..... A45D 20/44  
132/212  
D230,072 S \* 1/1974 Chaudoir ..... D7/355  
6,575,154 B1 \* 6/2003 Freeman, Jr. .... F24C 3/14  
126/38  
D633,335 S \* 3/2011 Groll ..... D7/402  
D653,904 S \* 2/2012 Lee ..... D7/362

D688,086 S \* 8/2013 Lee ..... D7/362  
D688,087 S \* 8/2013 Lee ..... D7/362  
D688,088 S \* 8/2013 Lee ..... D7/362  
D688,089 S \* 8/2013 Lee ..... D7/362  
D688,090 S \* 8/2013 Lee ..... D7/362  
D710,143 S \* 8/2014 Lee ..... D7/362  
D710,144 S \* 8/2014 Lee ..... D7/362  
D764,222 S \* 8/2016 Lee ..... D7/352  
(Continued)

**OTHER PUBLICATIONS**

Secura Infrared Convection Countertop TurboFry Oven with turntable and paddle, posted at Hotairfrying.com, posted on © 2017, site visited Jan. 2, 2018, <<http://www.hotairfrying.com/secura-infrared-convection-countertop-turbofry-oven/>>.\*  
(Continued)

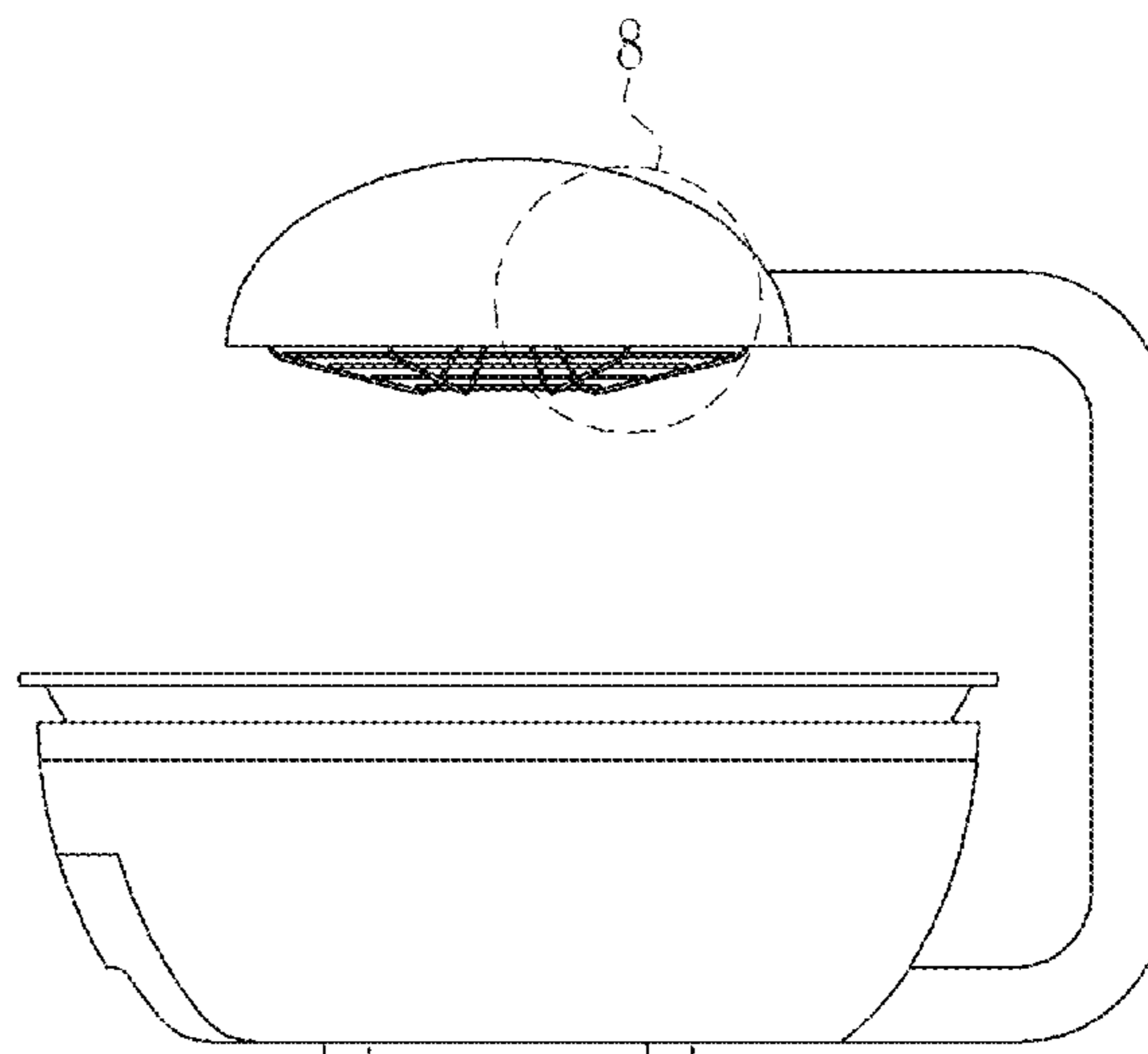
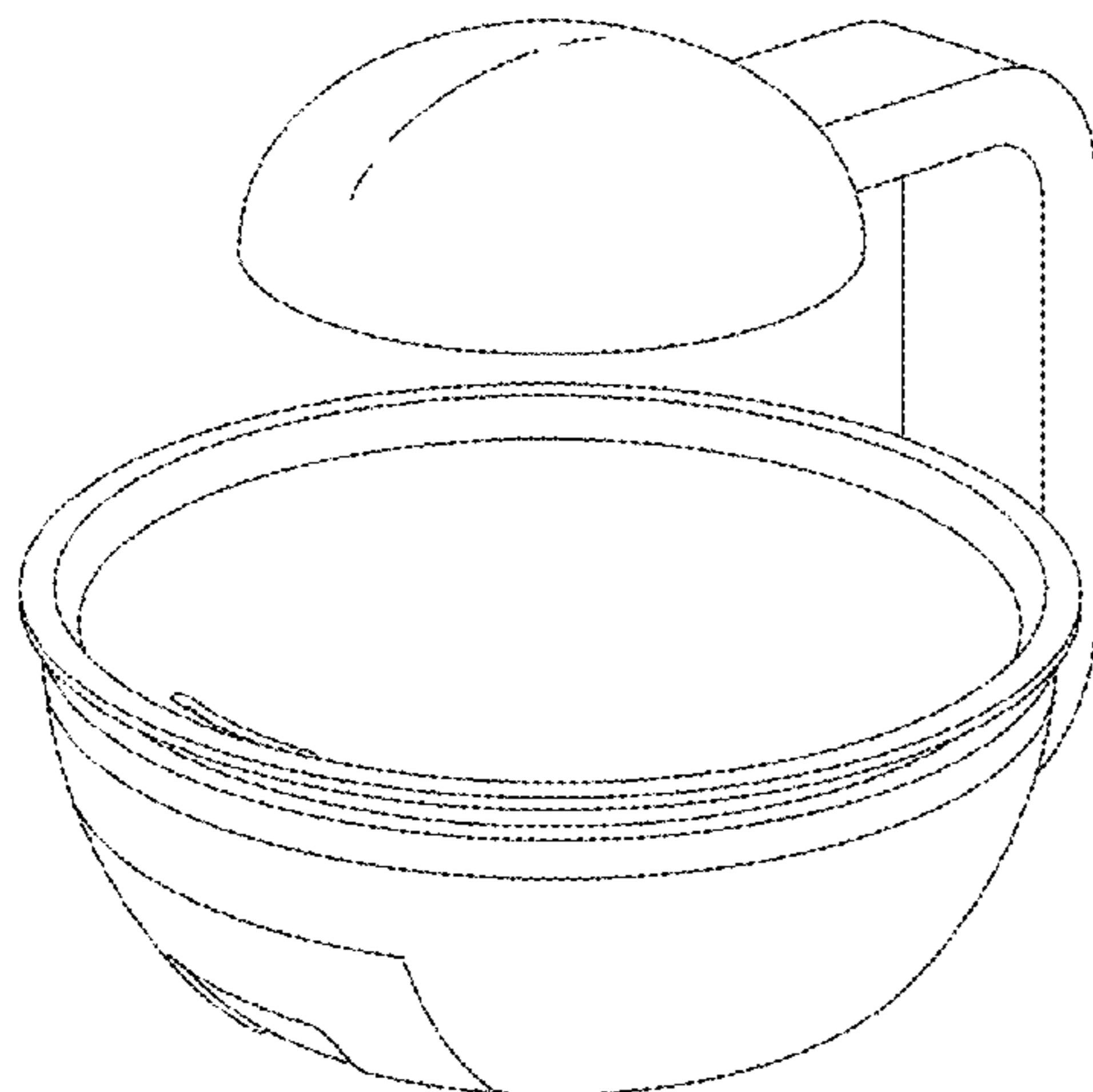
*Primary Examiner* — Barbara Fox  
*Assistant Examiner* — Messina L Smith  
(74) *Attorney, Agent, or Firm* — Kile Park Reed & Houtteman PLLC

(57) **CLAIM**  
I claim the ornamental design for an infrared heating cooker, as shown and described.

**DESCRIPTION**

FIG. 1 is a top and front perspective view of an infrared heating cooker, showing my new design;  
FIG. 2 is a front view thereof;  
FIG. 3 is a rear view thereof;  
FIG. 4 is a left side view thereof;  
FIG. 5 is a right side view thereof;  
FIG. 6 is a top view thereof;  
FIG. 7 is a bottom view thereof;  
FIG. 8 is a view showing an enlargement of the portion shown in FIG. 2; and,  
FIG. 9 is a reference view showing an enlargement of the portion shown in a FIG. 4.

**1 Claim, 8 Drawing Sheets**



(56)

**References Cited**

U.S. PATENT DOCUMENTS

D764,223 S \* 8/2016 Lee ..... D7/352  
D764,859 S \* 8/2016 Lee ..... D7/352  
D764,860 S \* 8/2016 Lee ..... D7/352  
D768,423 S \* 10/2016 Thul ..... D7/306

OTHER PUBLICATIONS

Smokeless indoor infrared heating commercial electric stove, posted at Alibaba.com, posted on Dec. 11, 2015, site visited Jan. 2, 2018, <[http://yklvyang.en.alibaba.com/product/60442187213-802420694/smokeless\\_indoor\\_infrared\\_heating\\_commercial\\_electric\\_stove\\_halogen\\_korean\\_electric\\_grill.html](http://yklvyang.en.alibaba.com/product/60442187213-802420694/smokeless_indoor_infrared_heating_commercial_electric_stove_halogen_korean_electric_grill.html)>.\*

\* cited by examiner

FIG. 1

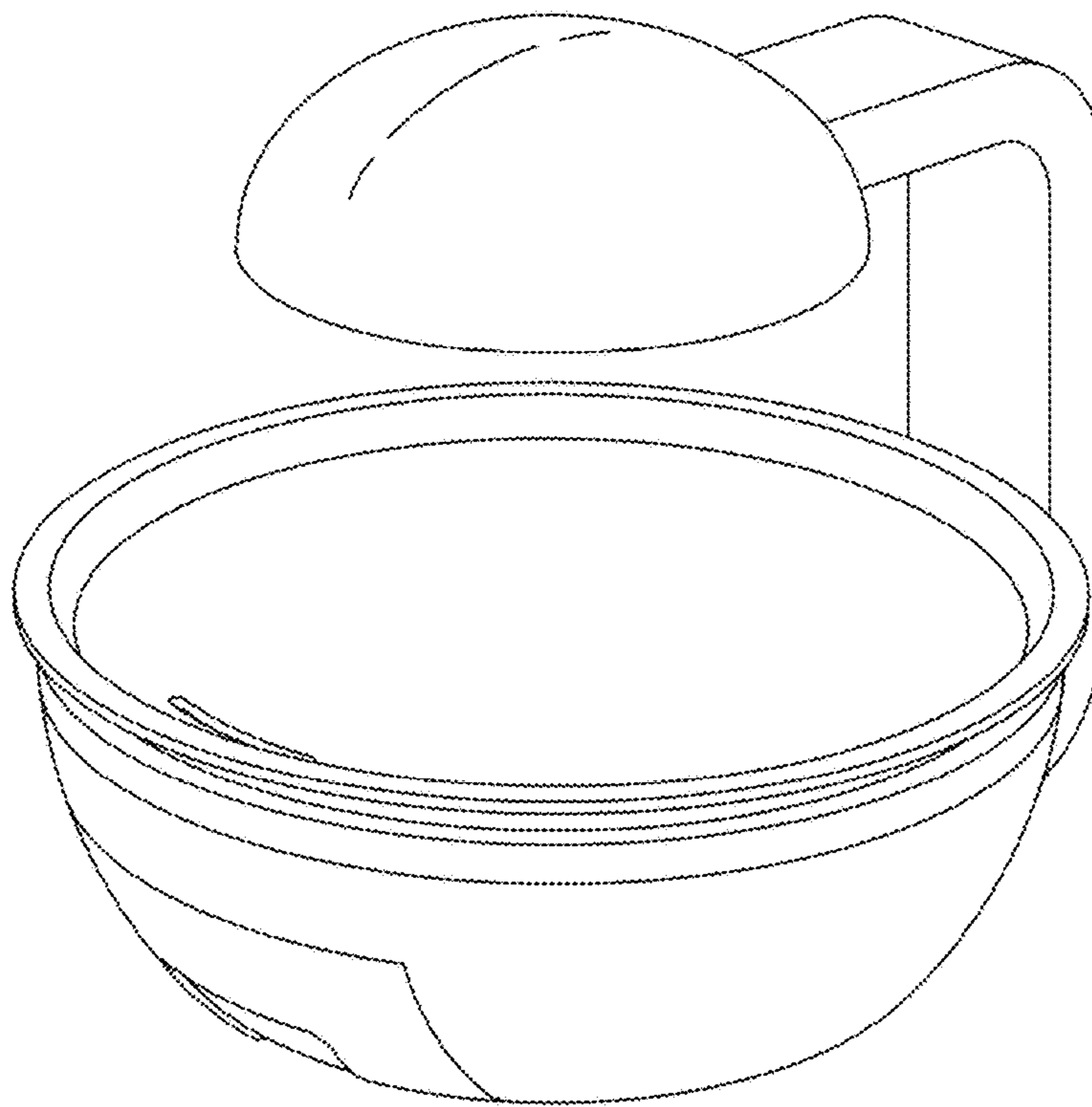


FIG. 2

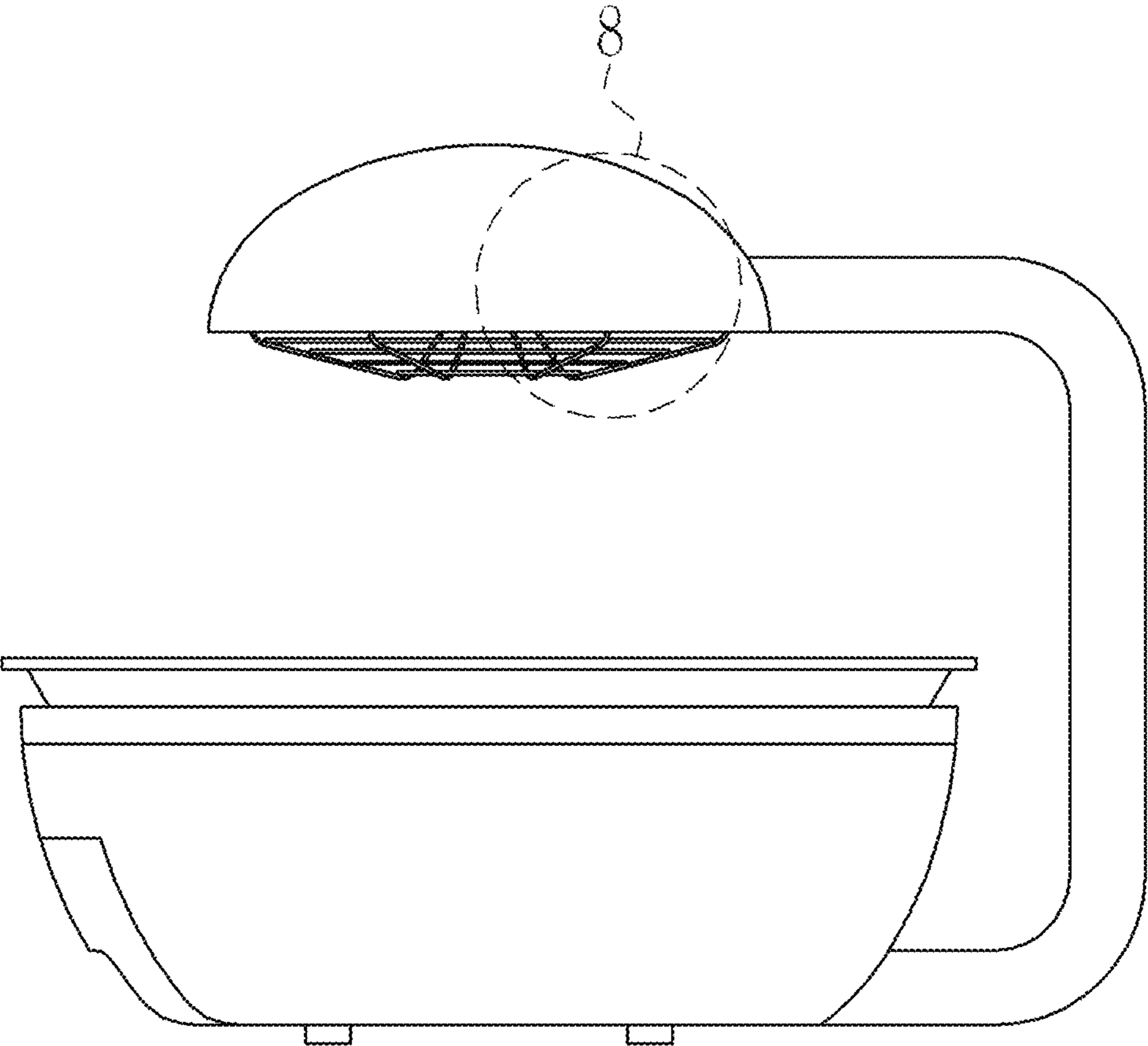


FIG. 3

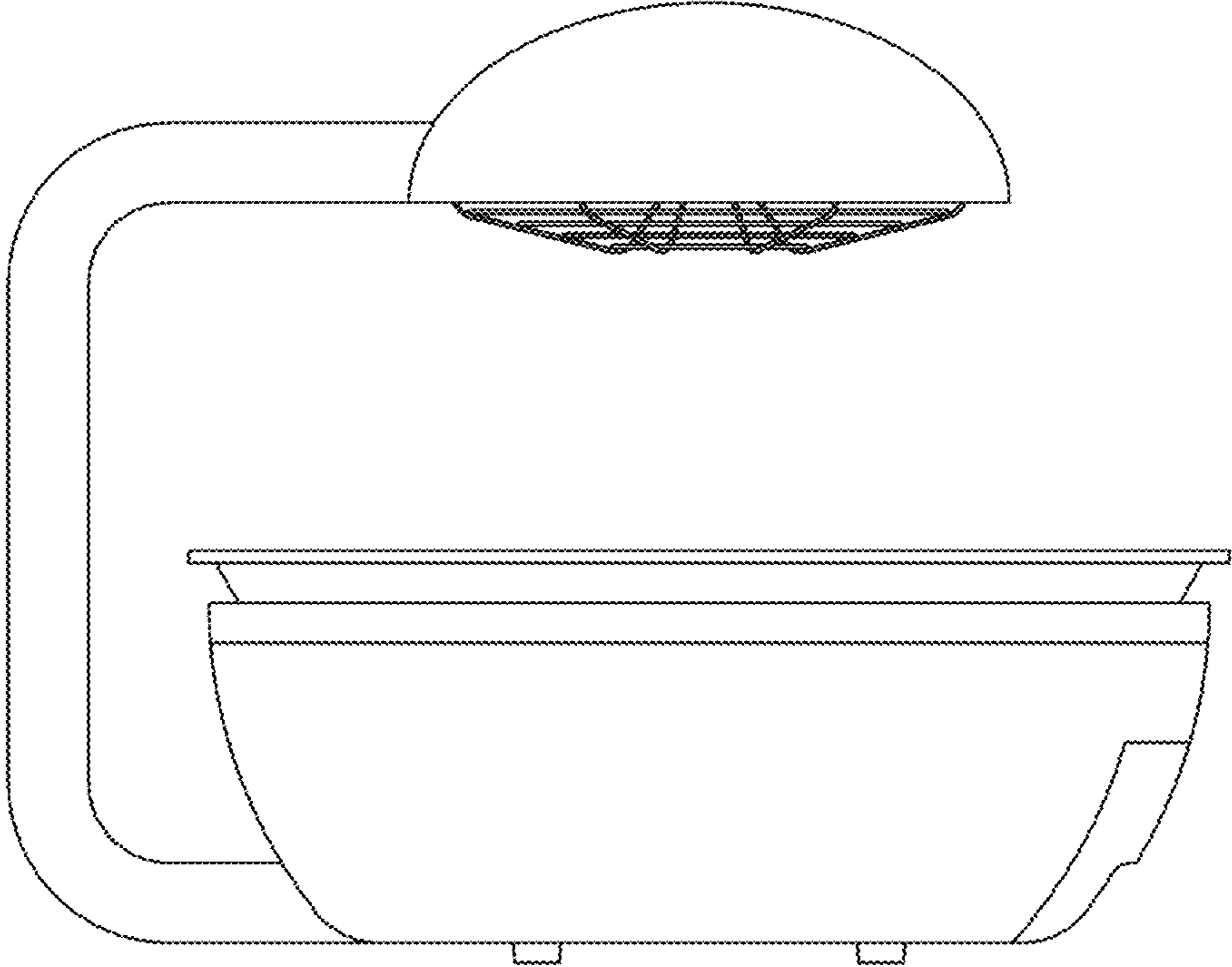


FIG. 4

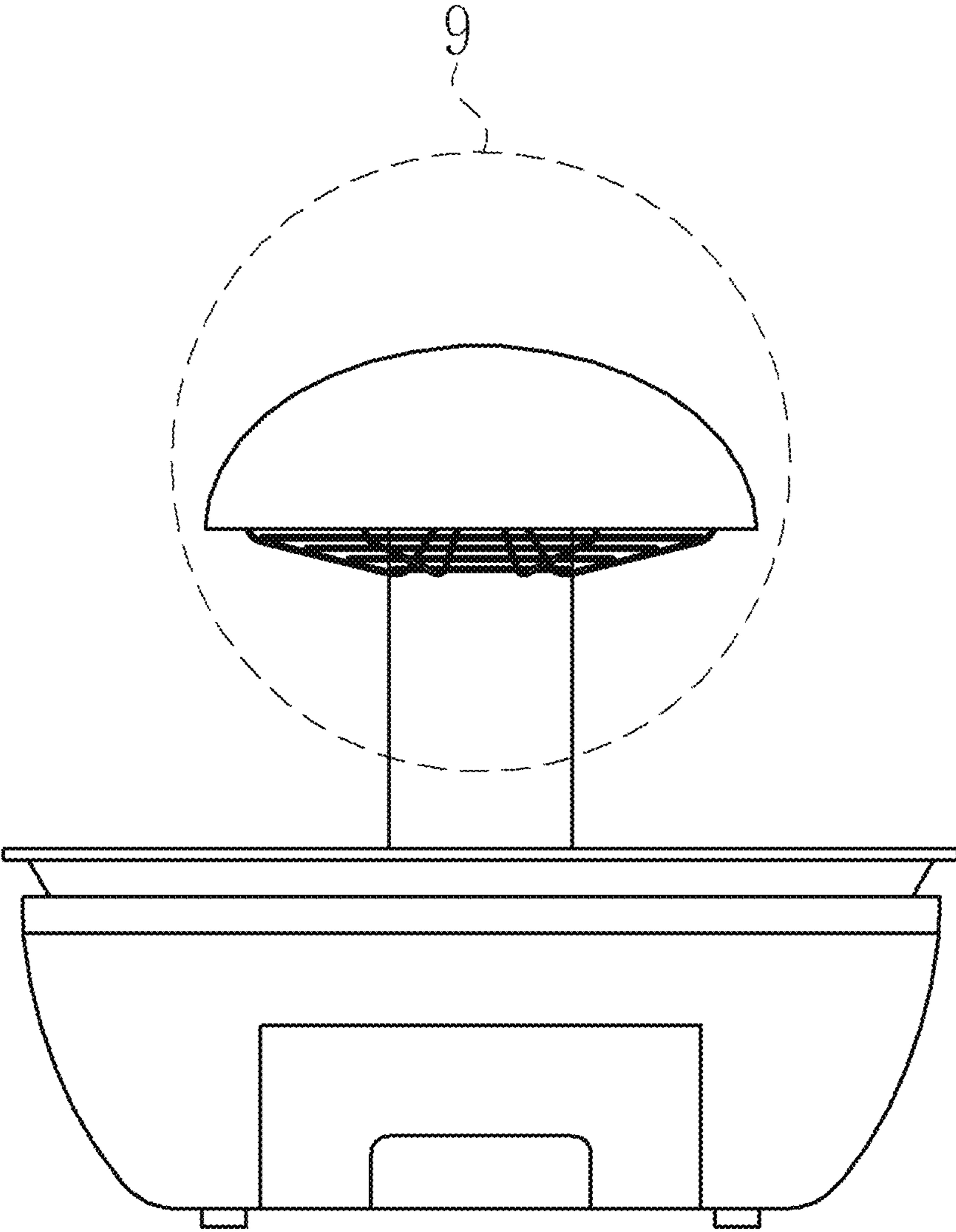


FIG. 5

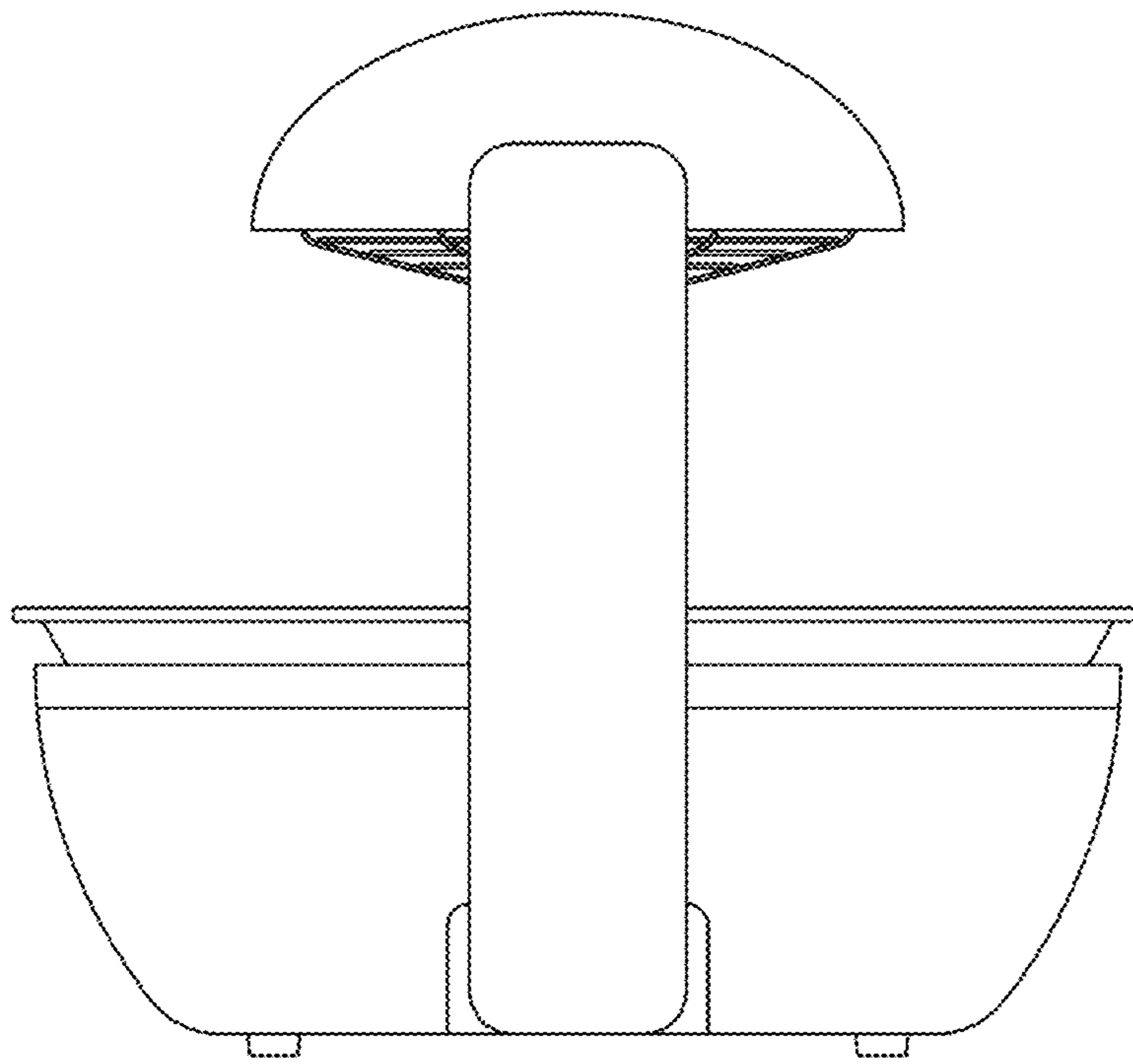


FIG. 6

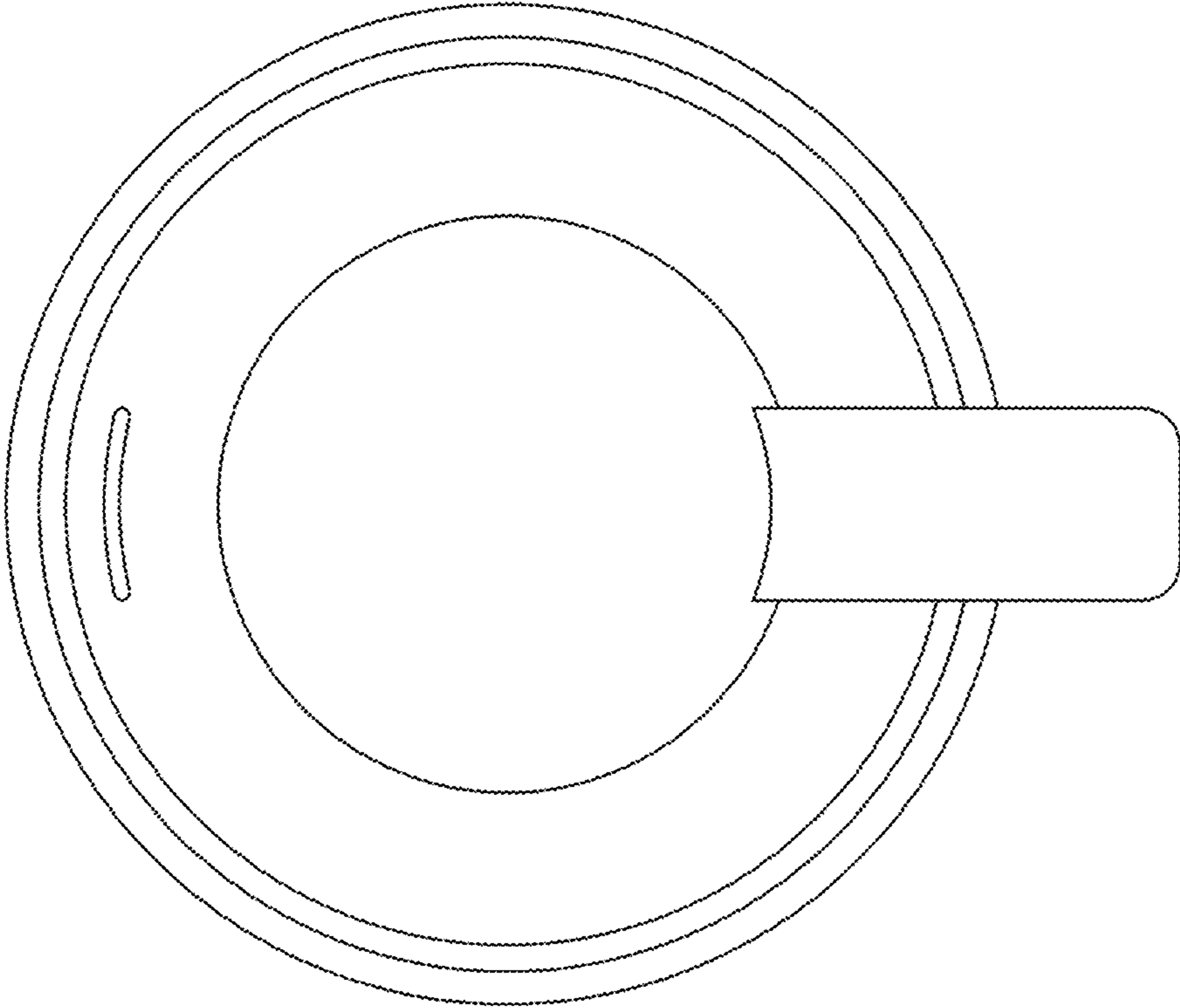




FIG. 7

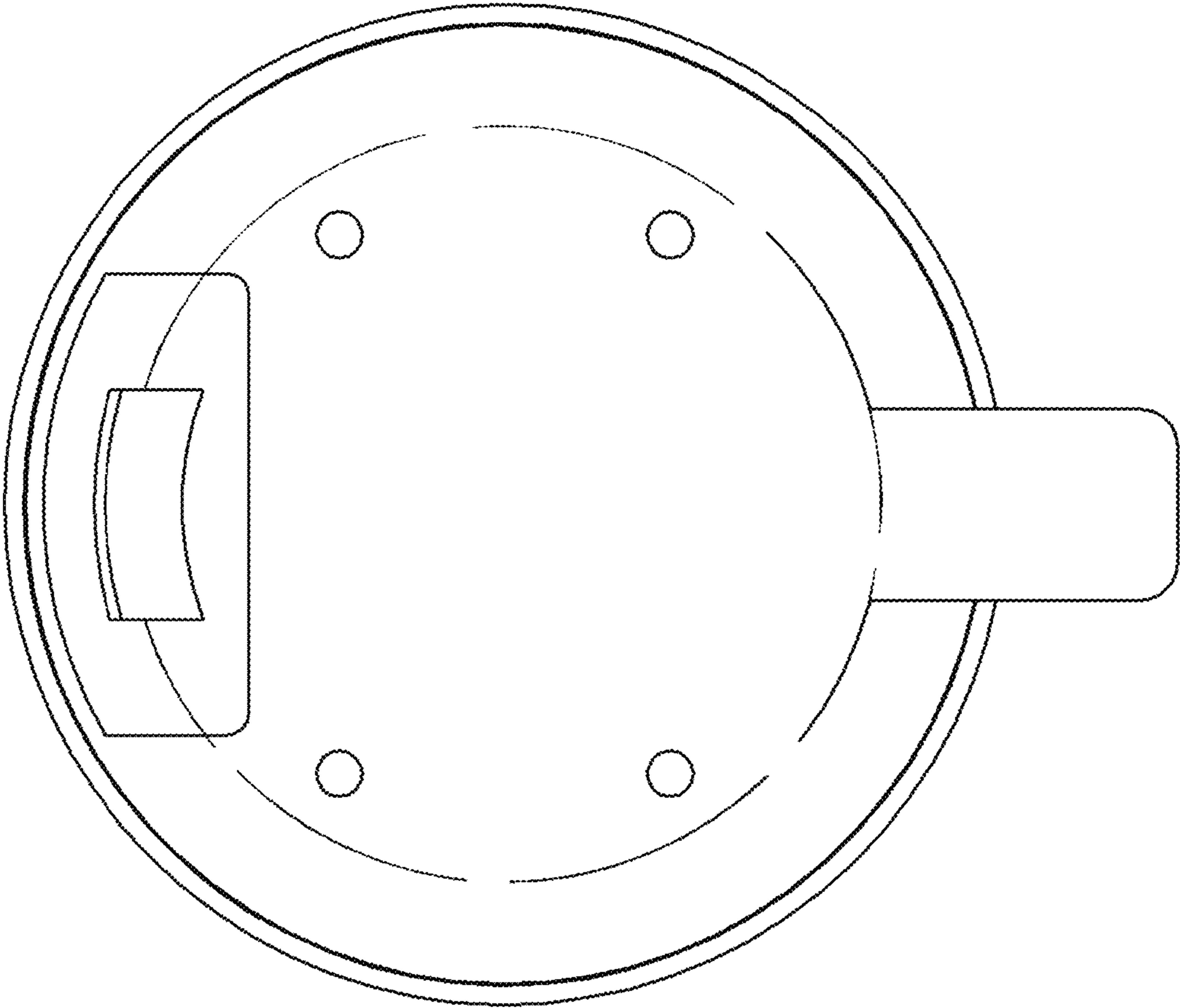


FIG. 8

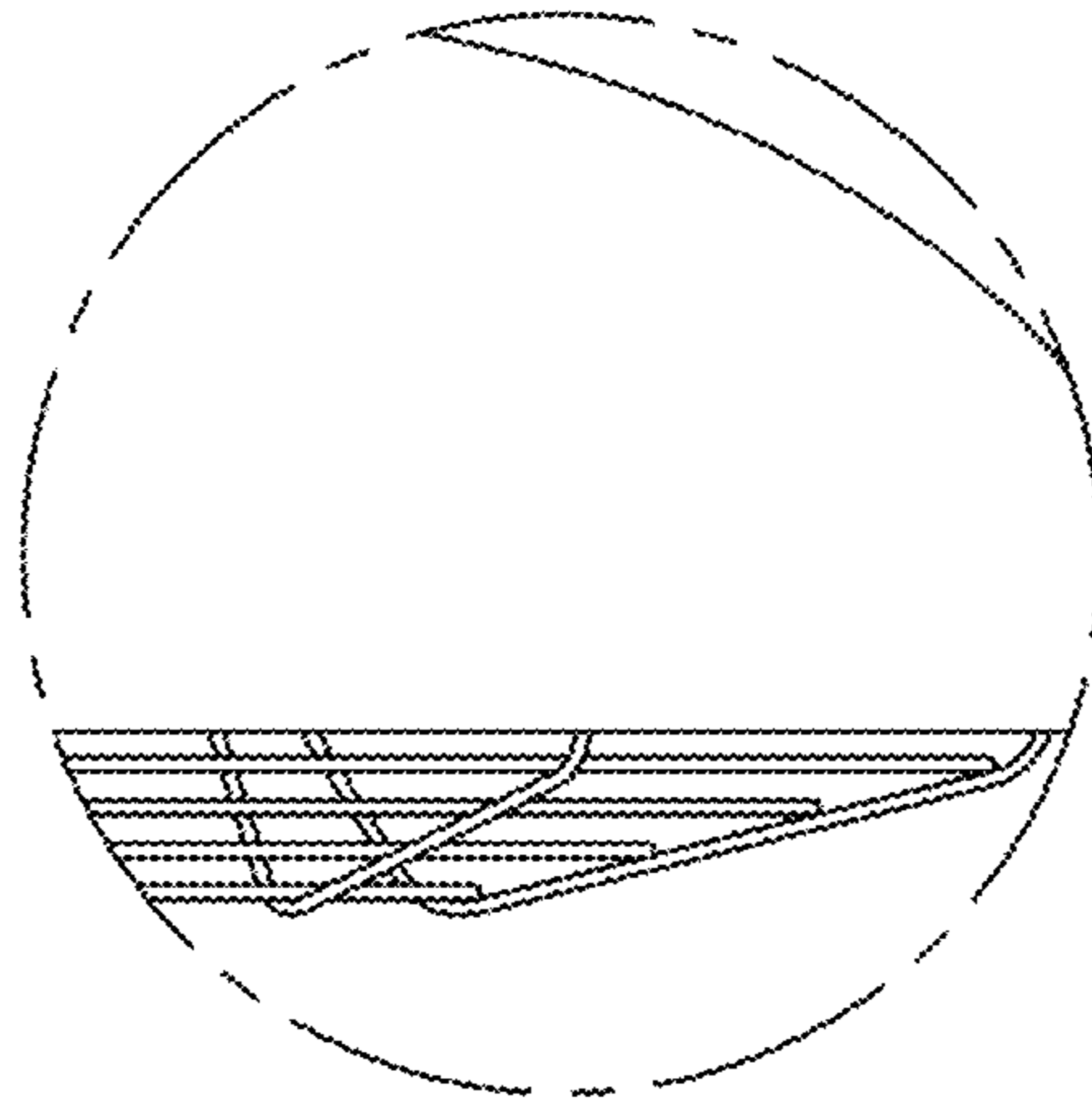


FIG. 9

