



US00D833198S

(12) **United States Design Patent** (10) **Patent No.:** **US D833,198 S**
Lee (45) **Date of Patent:** **** Nov. 13, 2018**

(54) **INFRARED HEATING COOKER**

(71) Applicant: **ZAIGLE CO., LTD.**, Seoul (KR)

(72) Inventor: **Jin Hee Lee**, Seoul (KR)

(73) Assignee: **ZAIGLE CO., LTD.**, Seoul (KR)

(**) Term: **15 Years**

(21) Appl. No.: **29/595,665**

(22) Filed: **Mar. 1, 2017**

(30) **Foreign Application Priority Data**

Sep. 8, 2016 (KR) 30-2016-0044260

(51) **LOC (11) Cl.** **07-02**

(52) **U.S. Cl.**
USPC **D7/352**

(58) **Field of Classification Search**
USPC D7/323, 334, 339-341, 352, 354-355,
D7/362-367, 402-403, 601
CPC A21B 1/06; A21B 1/50; A21B 1/52; A47J
37/0611; A47J 37/0629; A47J 37/0676;
A47J 37/108; F24C 7/06; F24C 7/083;
F24C 15/02; F24C 15/66; H05B 3/20;
H05B 3/40

See application file for complete search history.

(56) **References Cited**

U.S. PATENT DOCUMENTS

3,251,355	A *	5/1966	Keating	A47J 36/26 126/40
D230,072	S *	1/1974	Chaudoir	D7/355
D458,078	S *	6/2002	Lin	D7/362
6,575,154	B1 *	6/2003	Freeman, Jr.	F24C 3/14 126/38
D633,335	S *	3/2011	Groll	D7/402
D653,904	S *	2/2012	Lee	D7/362
D710,143	S *	8/2014	Lee	D7/362
D710,144	S *	8/2014	Lee	D7/362
D795,001	S *	8/2017	Lee	D7/362

OTHER PUBLICATIONS

APW Wyott PD-1A Portable French Fry Warmer, posted at Acitydiscount.com, posted on © 2017, site visited Jan. 2, 2018, <<https://www.acitydiscount.com/APW-Wyott-Portable-French-Fry-Warmer-Stainless-Steel-575-Watt-120V-PD-1A.0.156589.1.1.htm>>.*

Bartscher Infrared food warmer, posted at Catering-equipment-shop.com, no posting date given, site visited Jan. 2, 2018, <<http://www.catering-equipment-shop.com/3080@A114001/Bartscher-Infrared-food-warmer-1-1GN.htm>>.*

* cited by examiner

Primary Examiner — Barbara Fox

Assistant Examiner — Messina L Smith

(74) *Attorney, Agent, or Firm* — Kile Park Reed & Houtteman PLLC

(57) **CLAIM**

I claim, the ornamental design for an infrared heating cooker, as shown and described.

DESCRIPTION

FIG. 1 is a top and front perspective view of an infrared heating cooker, showing my new design;
FIG. 2 is a front view thereof;
FIG. 3 is a rear view thereof;
FIG. 4 is a left side view thereof;
FIG. 5 is a right side view thereof;
FIG. 6 is a top view thereof;
FIG. 7 is a bottom view thereof;
FIG. 8 is a view showing an enlargement of the portion shown in FIG. 2; and,
FIG. 9 is a reference view showing an enlargement of the portion shown in FIG. 4
The broken lines are shown for the purpose of depicting portions of the infrared heating cooker that form no part of the claim.

1 Claim, 7 Drawing Sheets

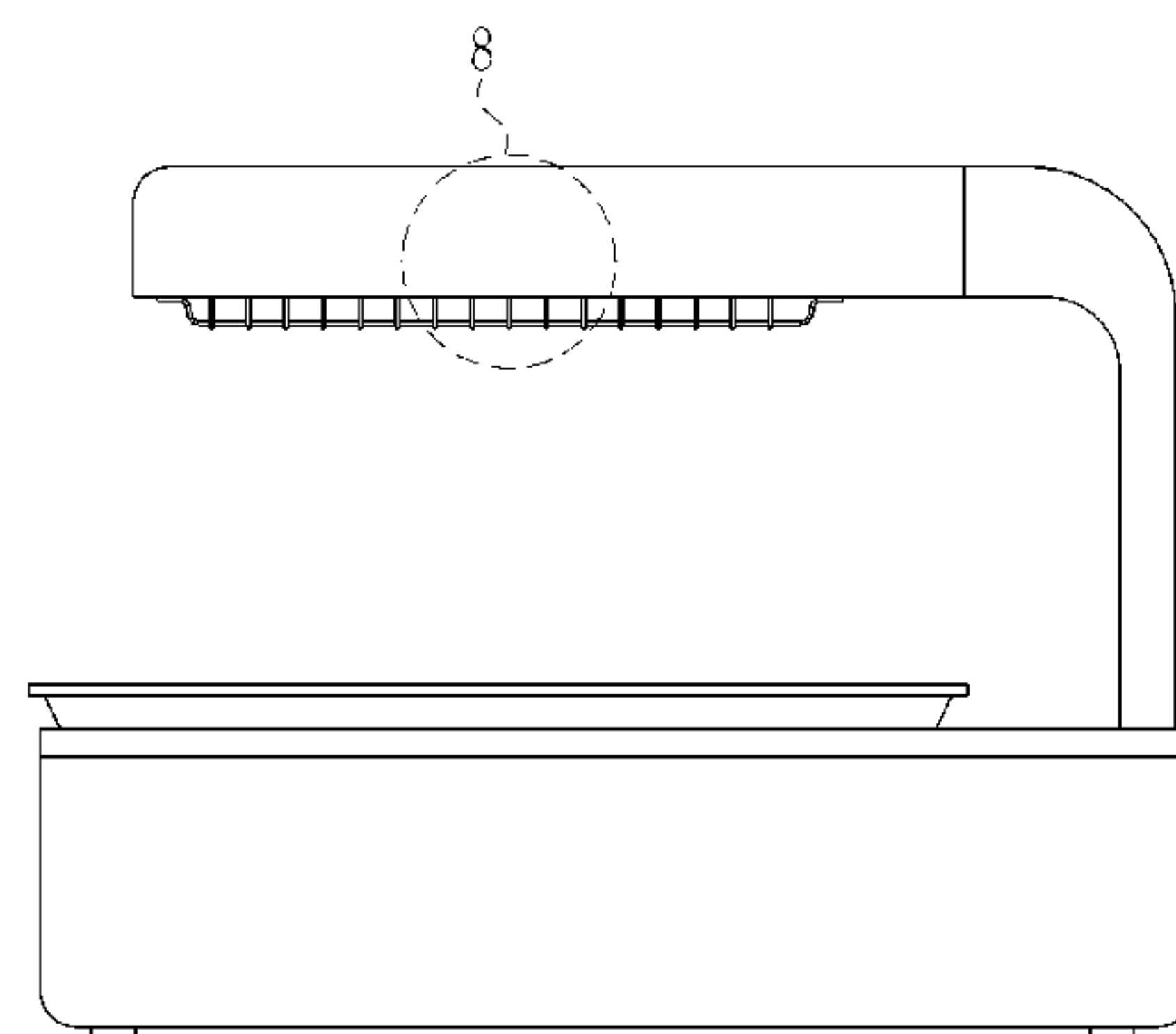
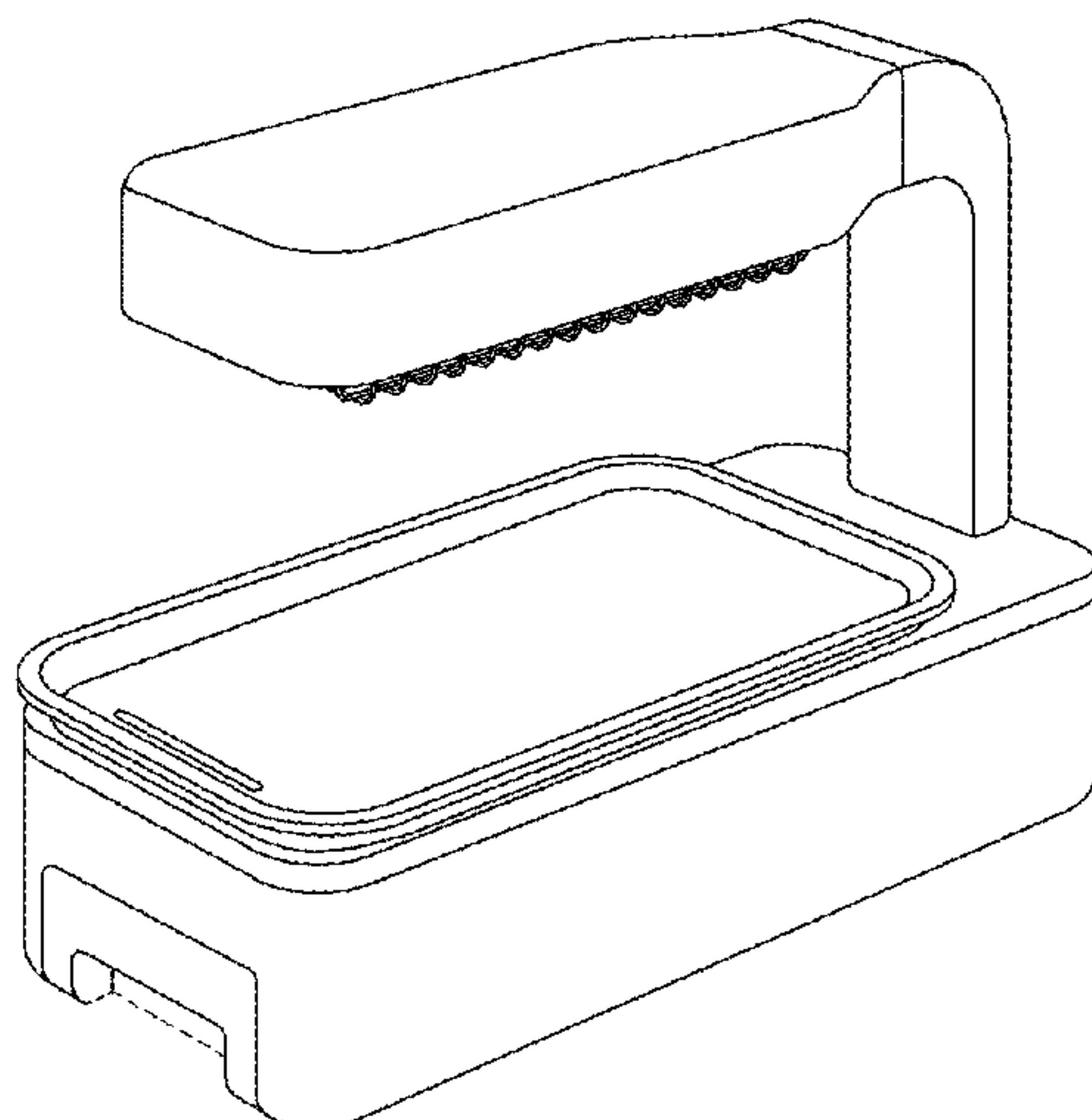


FIG. 1

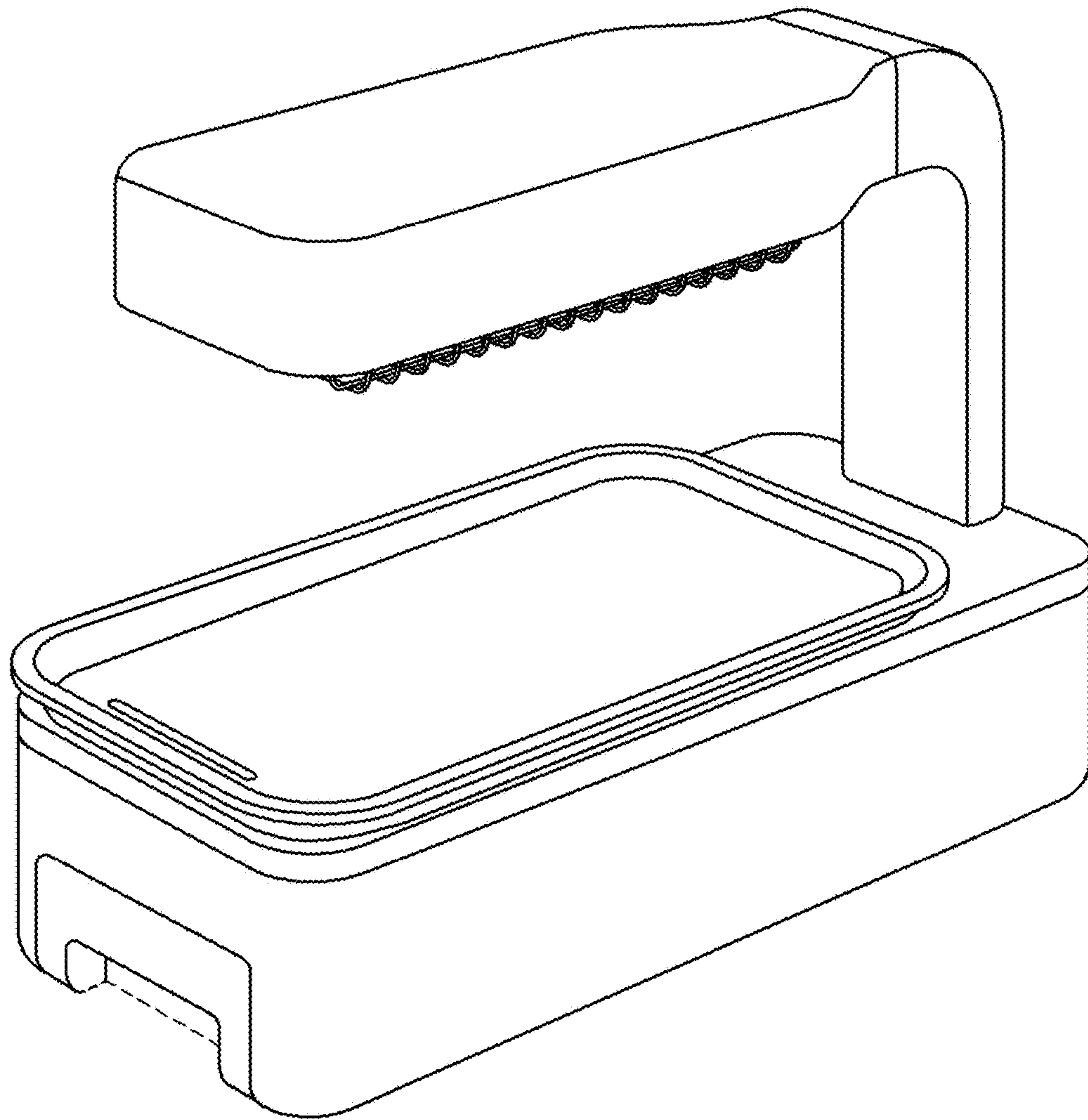


FIG. 2

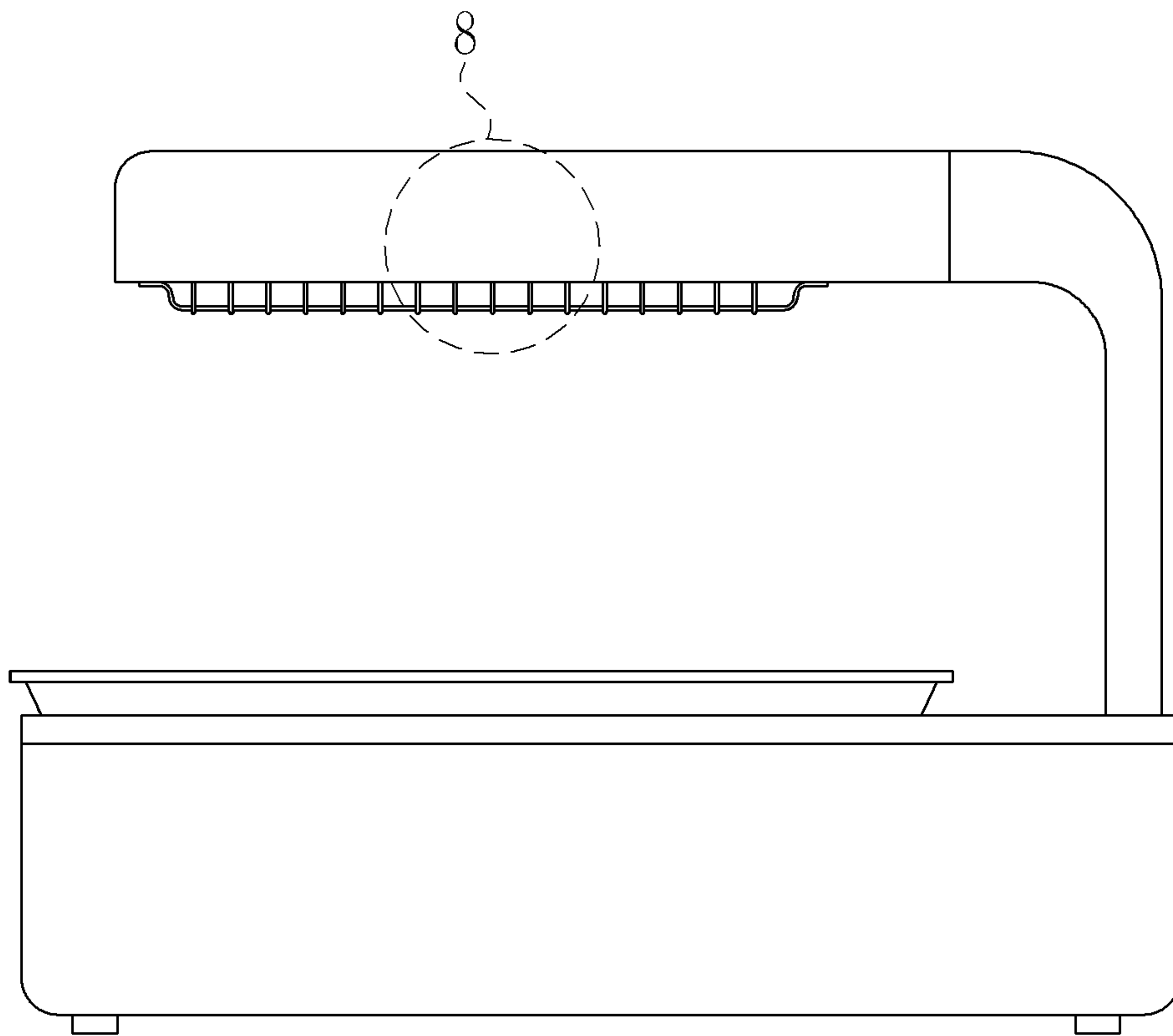


FIG. 3

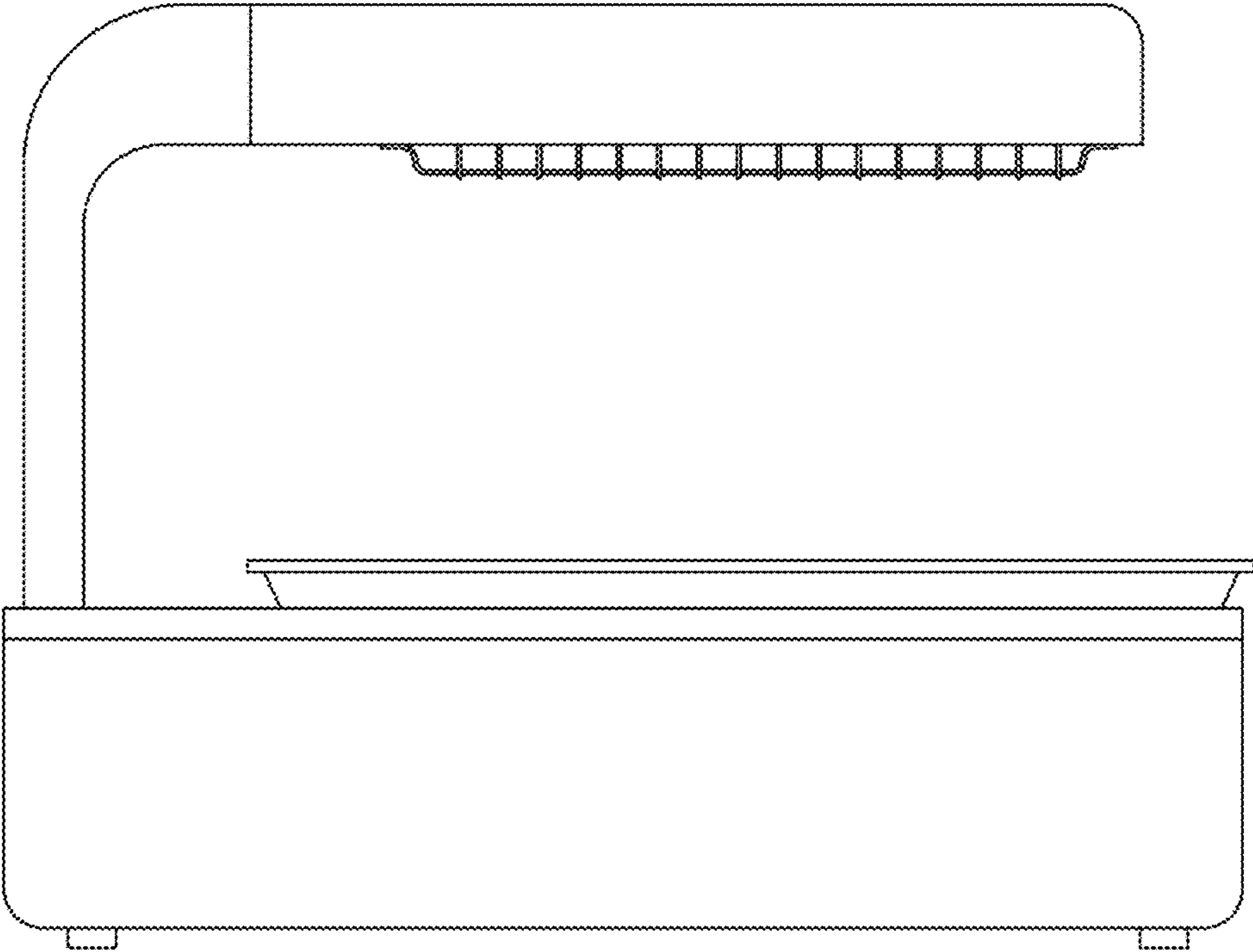


FIG. 4

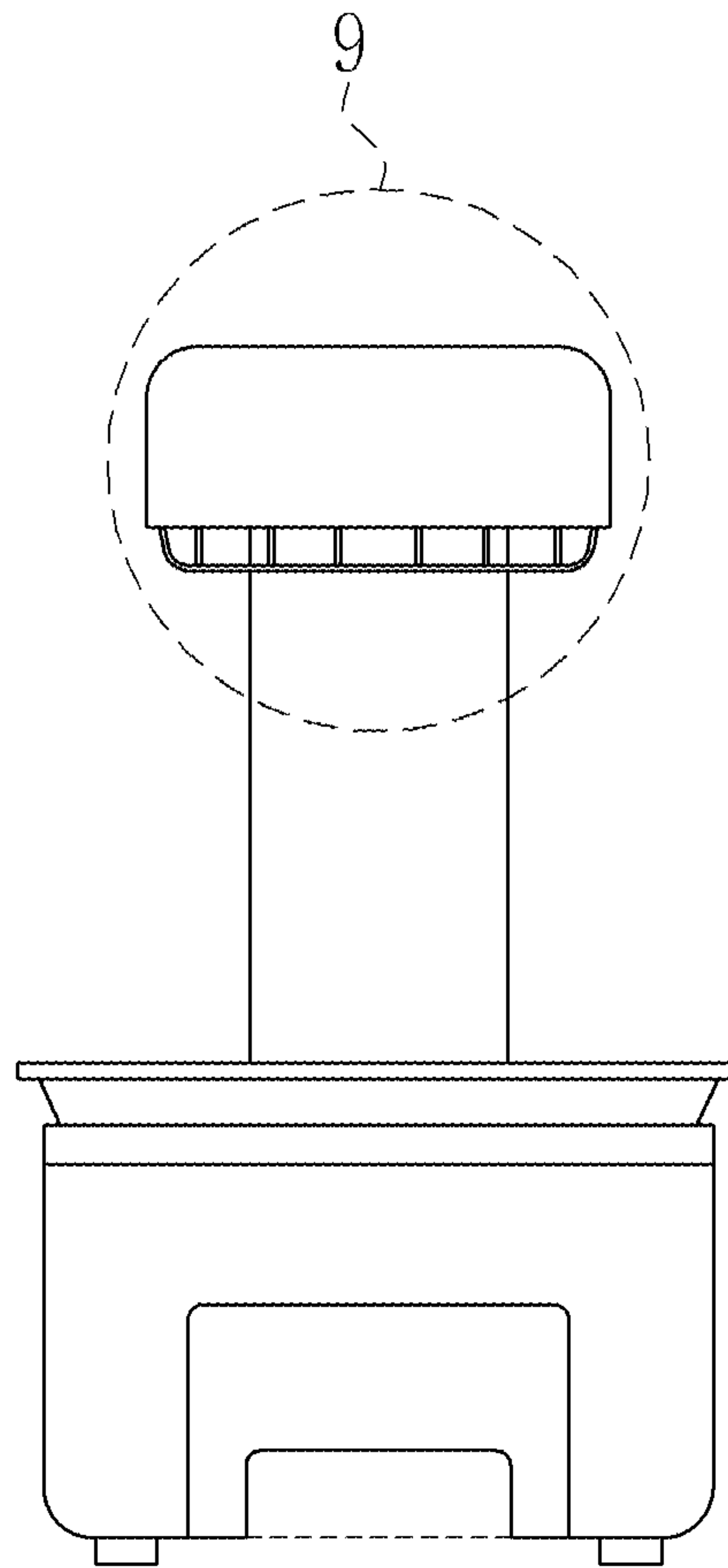


FIG. 5

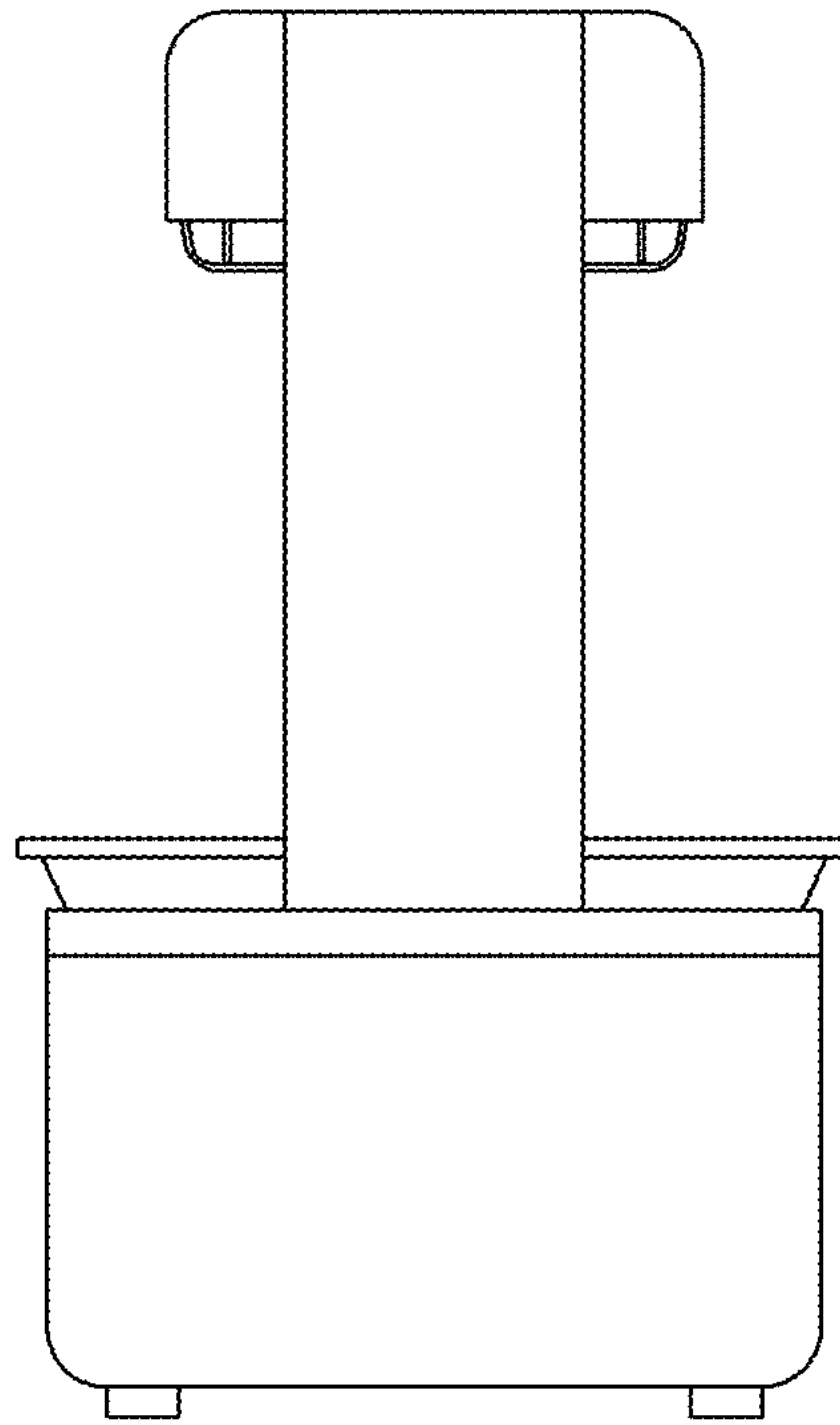


FIG. 6

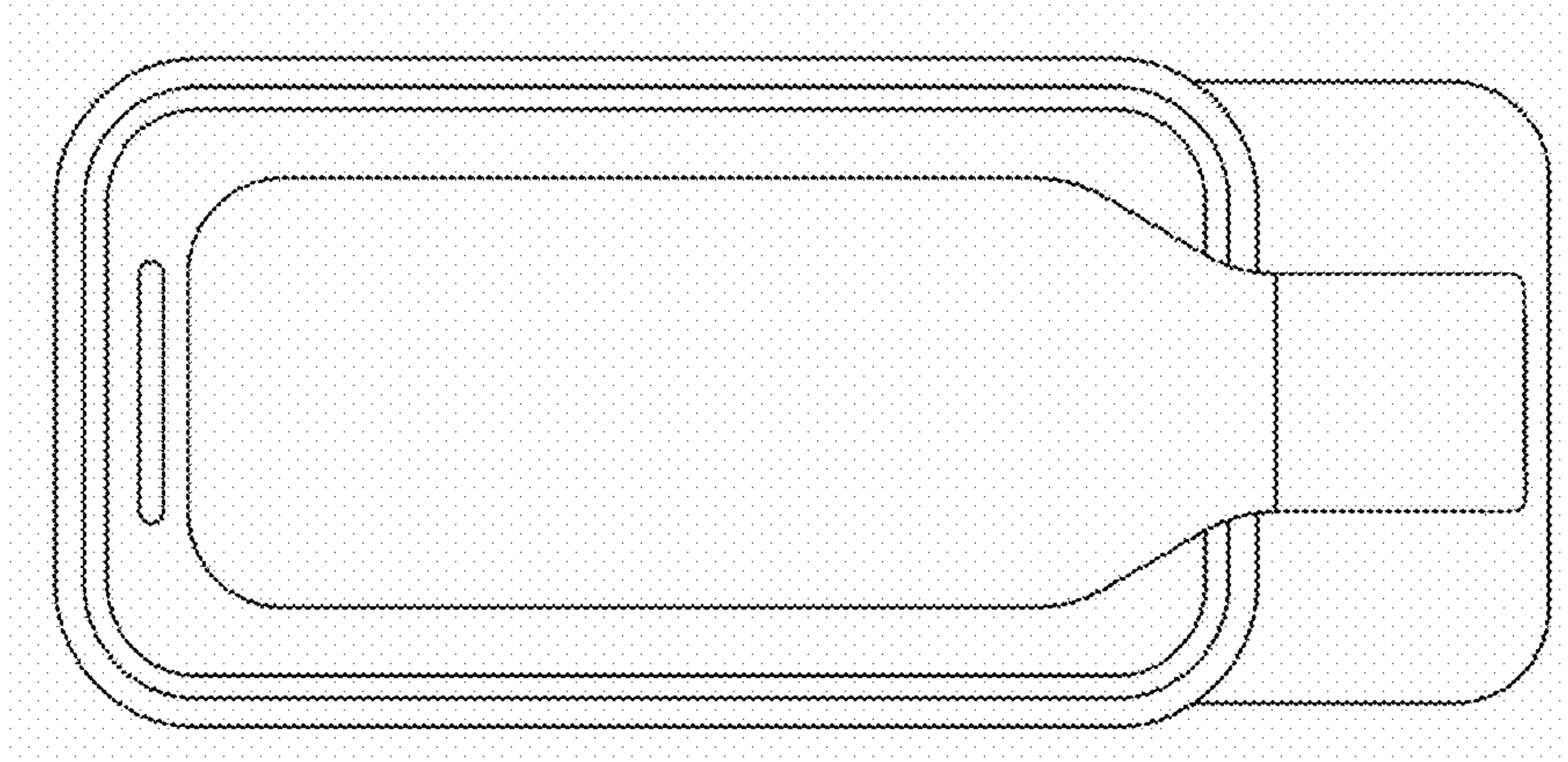


FIG. 7

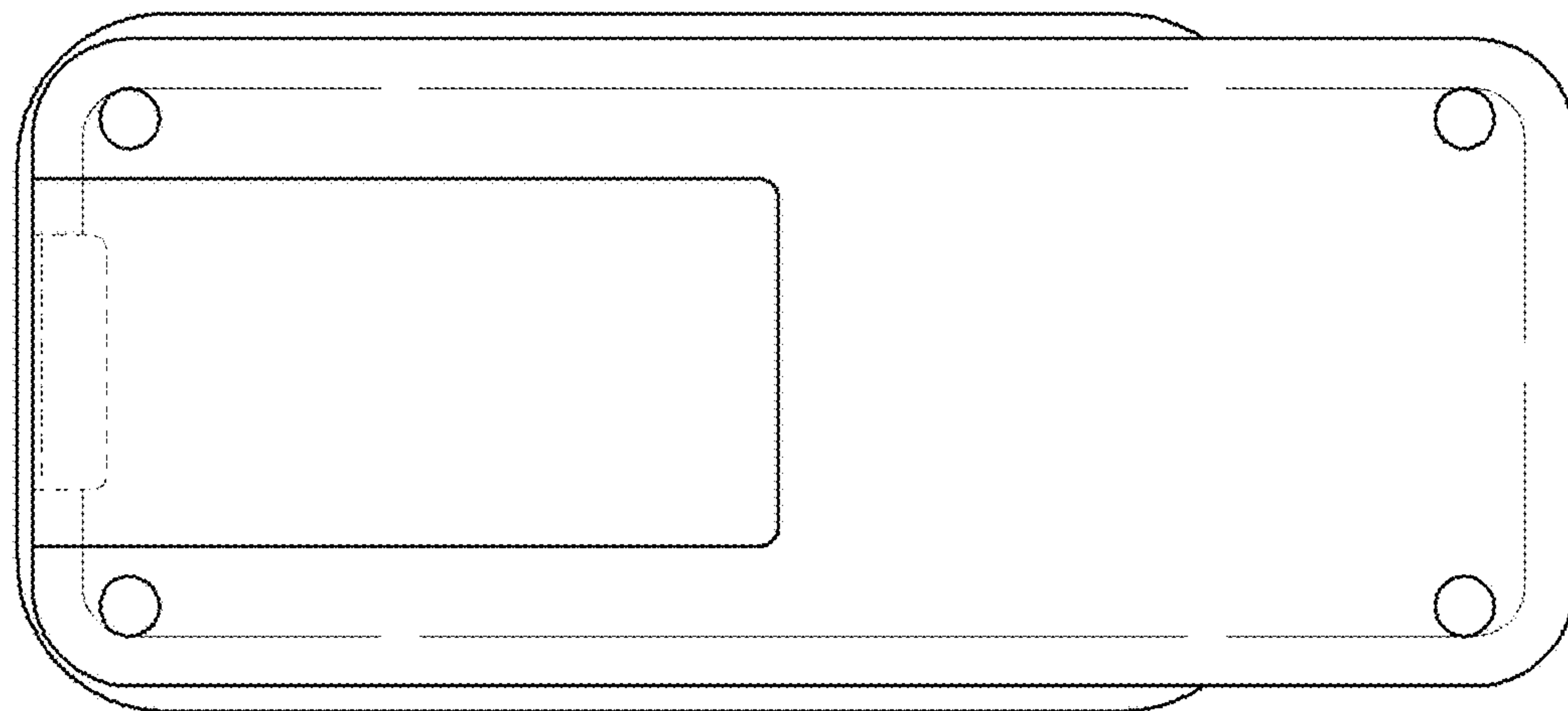


FIG. 8

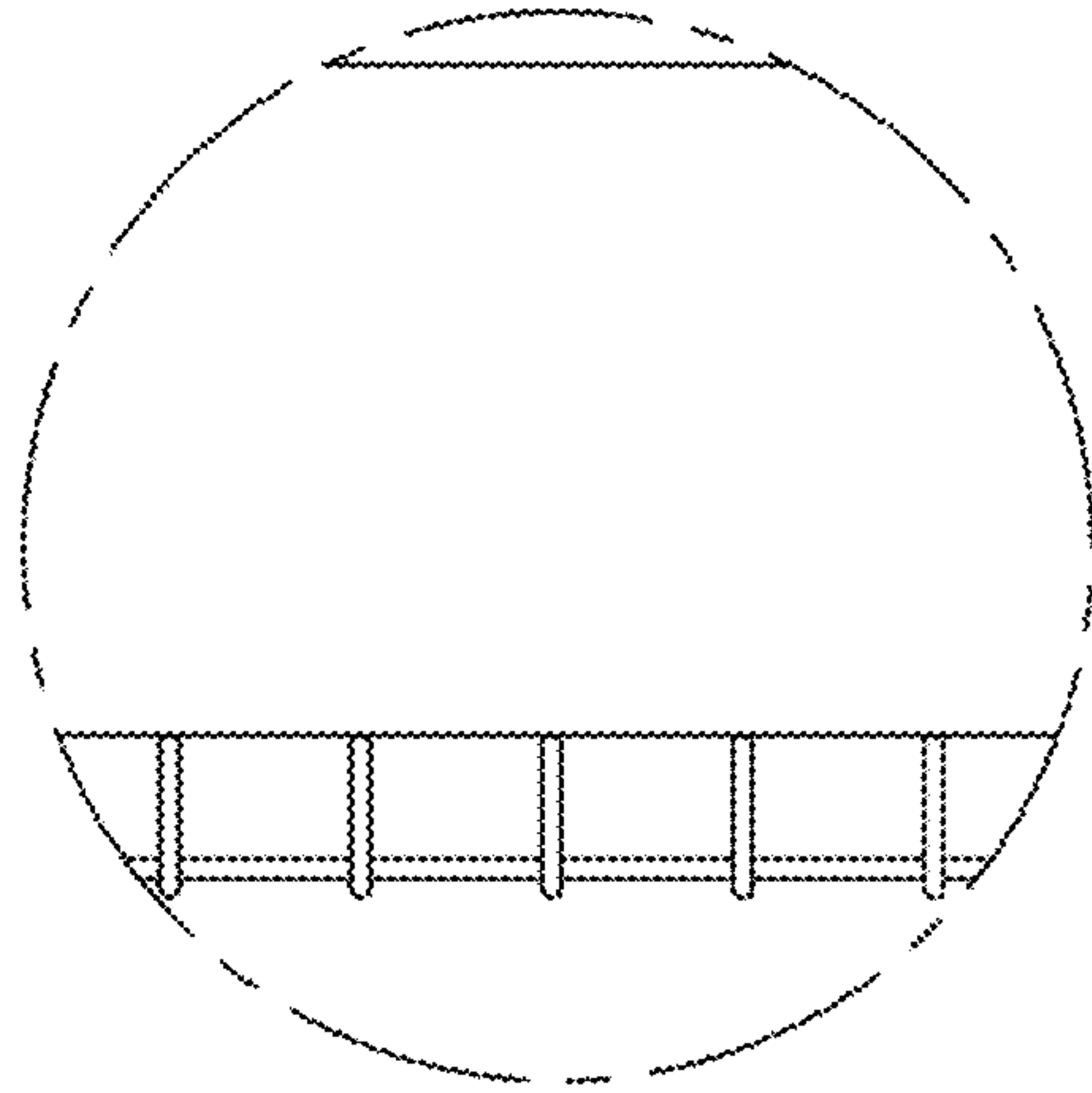


FIG. 9

