



US00D833196S

(12) **United States Design Patent**  
**Mutch et al.**

(10) **Patent No.:** **US D833,196 S**

(45) **Date of Patent:** **\*\* Nov. 13, 2018**

- (54) **COFFEE PRESS**
- (71) Applicants: **Martin Mutch**, New York, NY (US);  
**Sunny Kim**, Astoria, NY (US); **Daniel Juda**, New York, NY (US)
- (72) Inventors: **Martin Mutch**, New York, NY (US);  
**Sunny Kim**, Astoria, NY (US); **Daniel Juda**, New York, NY (US)

- 5,695,282 A \* 12/1997 Hess ..... A47J 43/27  
366/256
- 6,152,018 A \* 11/2000 Yeh ..... A47J 31/20  
220/632
- D448,601 S \* 10/2001 Yeh ..... D7/317
- D493,332 S \* 7/2004 Bin ..... D7/318
- D557,978 S \* 12/2007 Bodum ..... D7/397
- D560,951 S \* 2/2008 Appleton ..... D7/317
- D605,455 S \* 12/2009 Bodum ..... D7/317
- D777,500 S \* 1/2017 Lee ..... D7/317
- D799,257 S \* 10/2017 Melzer ..... D7/317

(73) Assignee: **HELEN OF TROY LIMITED**, St. Michael (BB)

\* cited by examiner

(\*\*) Term: **15 Years**

*Primary Examiner* — Daniel D Bui  
*Assistant Examiner* — Andrew Kerr

(21) Appl. No.: **29/574,998**

(57) **CLAIM**

The ornamental design for a coffee press, as shown, and described.

(22) Filed: **Aug. 21, 2016**

(51) **LOC (11) Cl.** ..... **07-01**

**DESCRIPTION**

(52) **U.S. Cl.**  
USPC ..... **D7/318**

(58) **Field of Classification Search**  
USPC ..... D7/300, 312, 316-322, 598, 600, 667,  
D7/669; D23/209  
CPC .. A47J 31/14; A47J 31/18; A47J 31/24; A47J  
31/38; A47J 31/50  
See application file for complete search history.

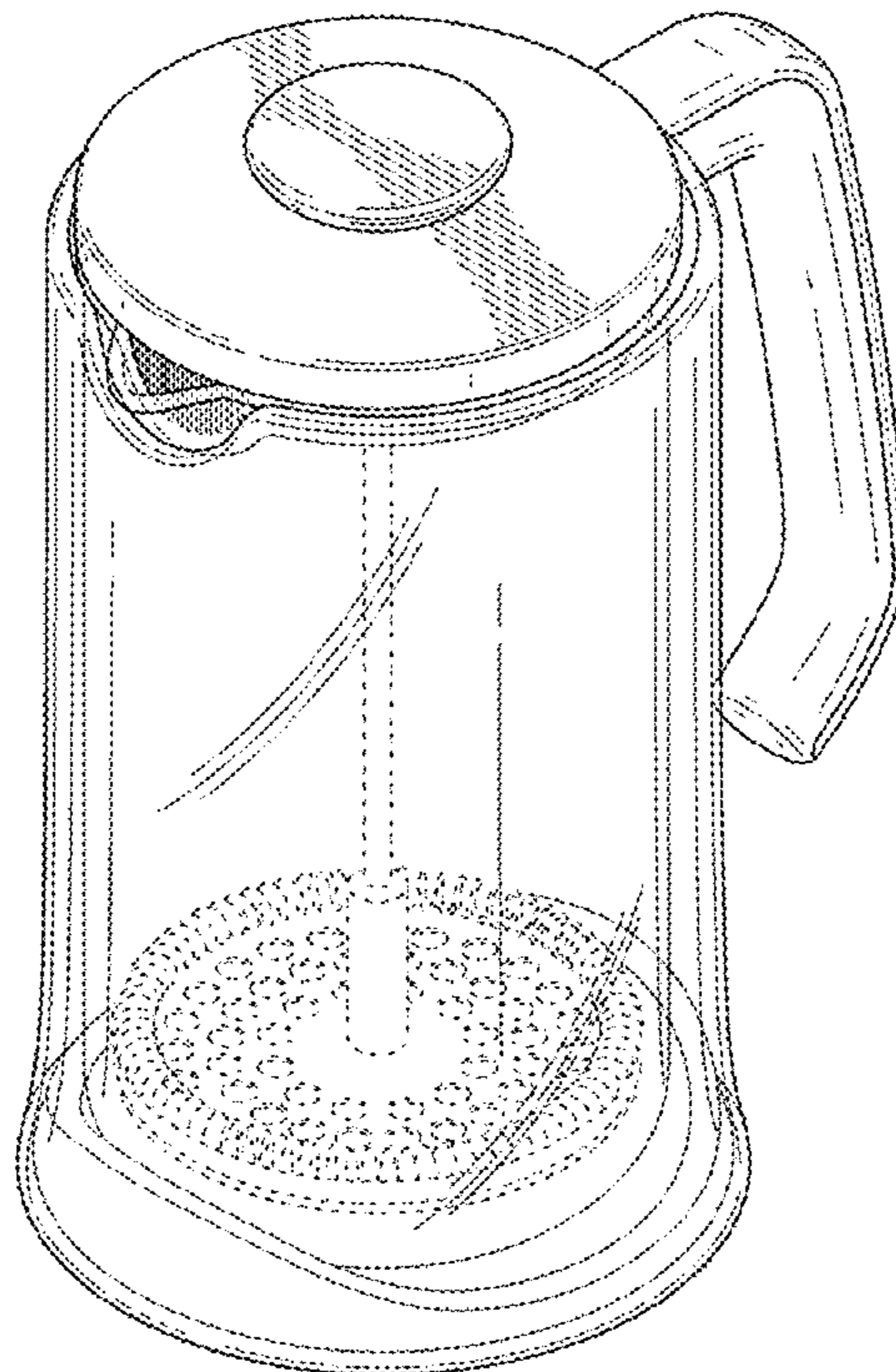
FIG. 1 is a perspective view of a coffee press, showing our new design;  
FIG. 2 is a front view thereof;  
FIG. 3 is a rear view thereof;  
FIG. 4 is a left side view thereof;  
FIG. 5 is a right side view thereof;  
FIG. 6 is a top view thereof; and,  
FIG. 7 is a bottom view thereof.  
The broken lines in the drawing views represent environmental structure of the coffee press and form no part of the claimed design.

(56) **References Cited**

**U.S. PATENT DOCUMENTS**

- D372,627 S \* 8/1996 Ireland ..... 366/256
- D386,040 S \* 11/1997 Joergensen ..... D7/317

**1 Claim, 7 Drawing Sheets**



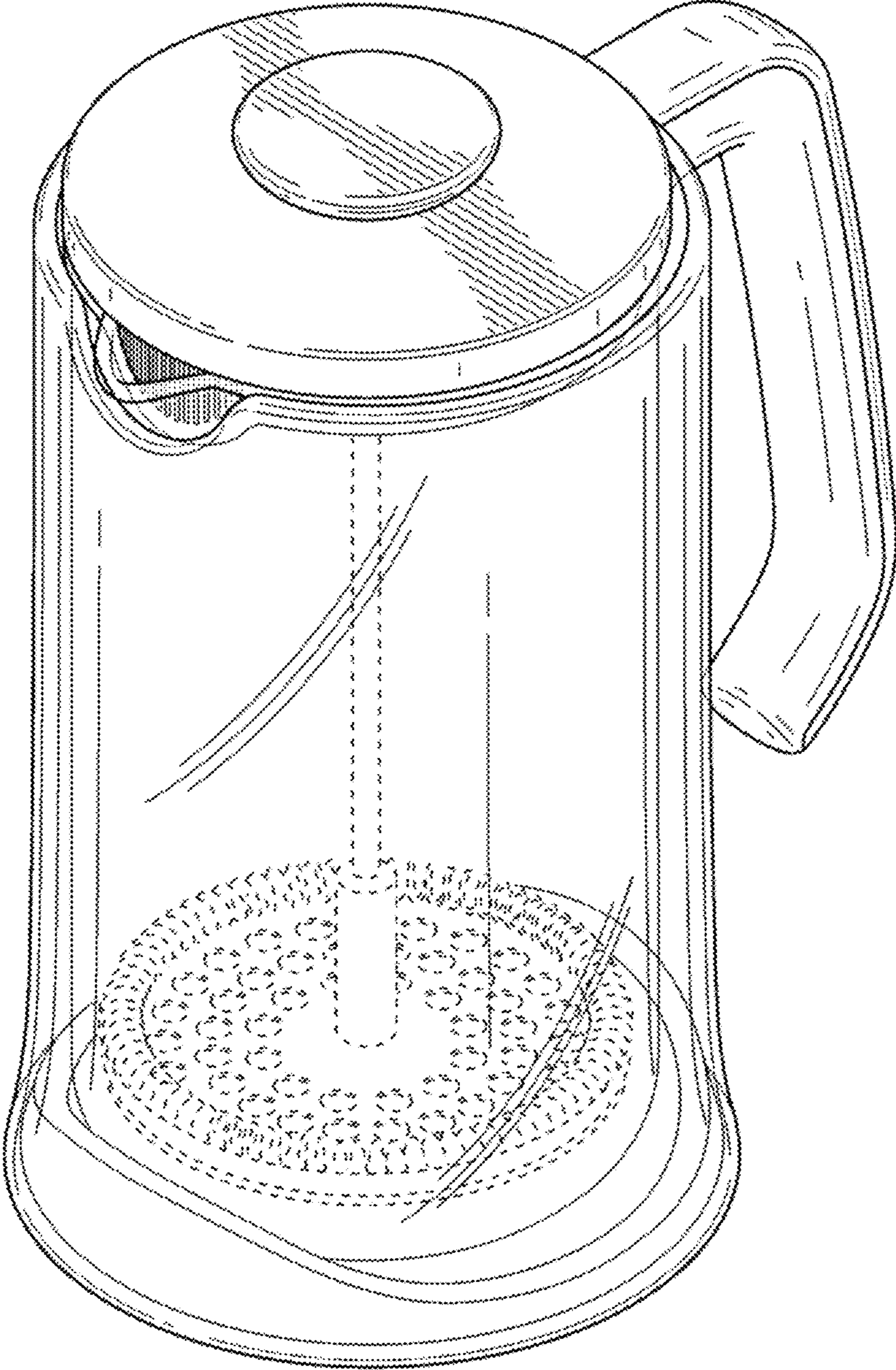


FIG. 1



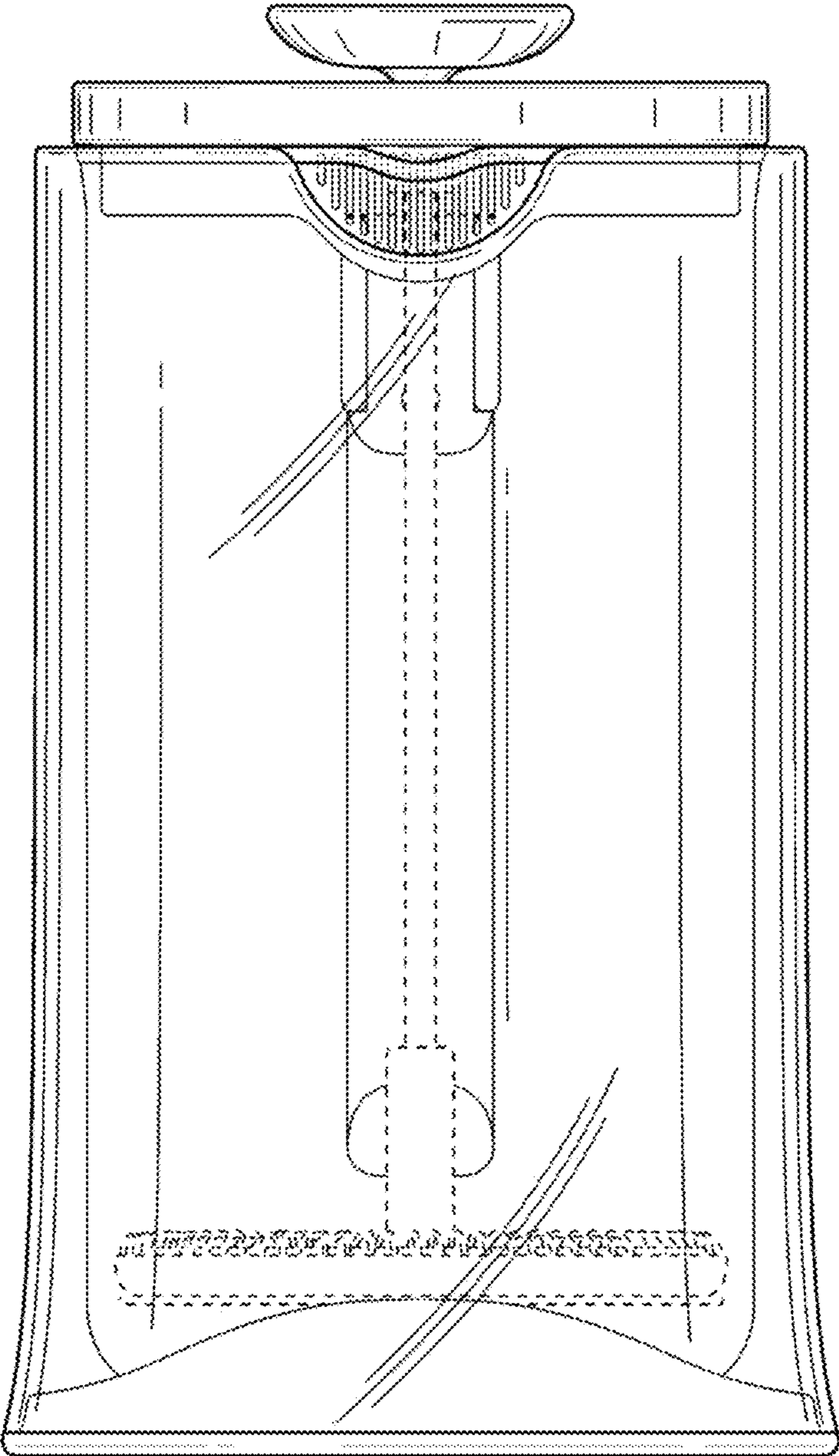


FIG. 2

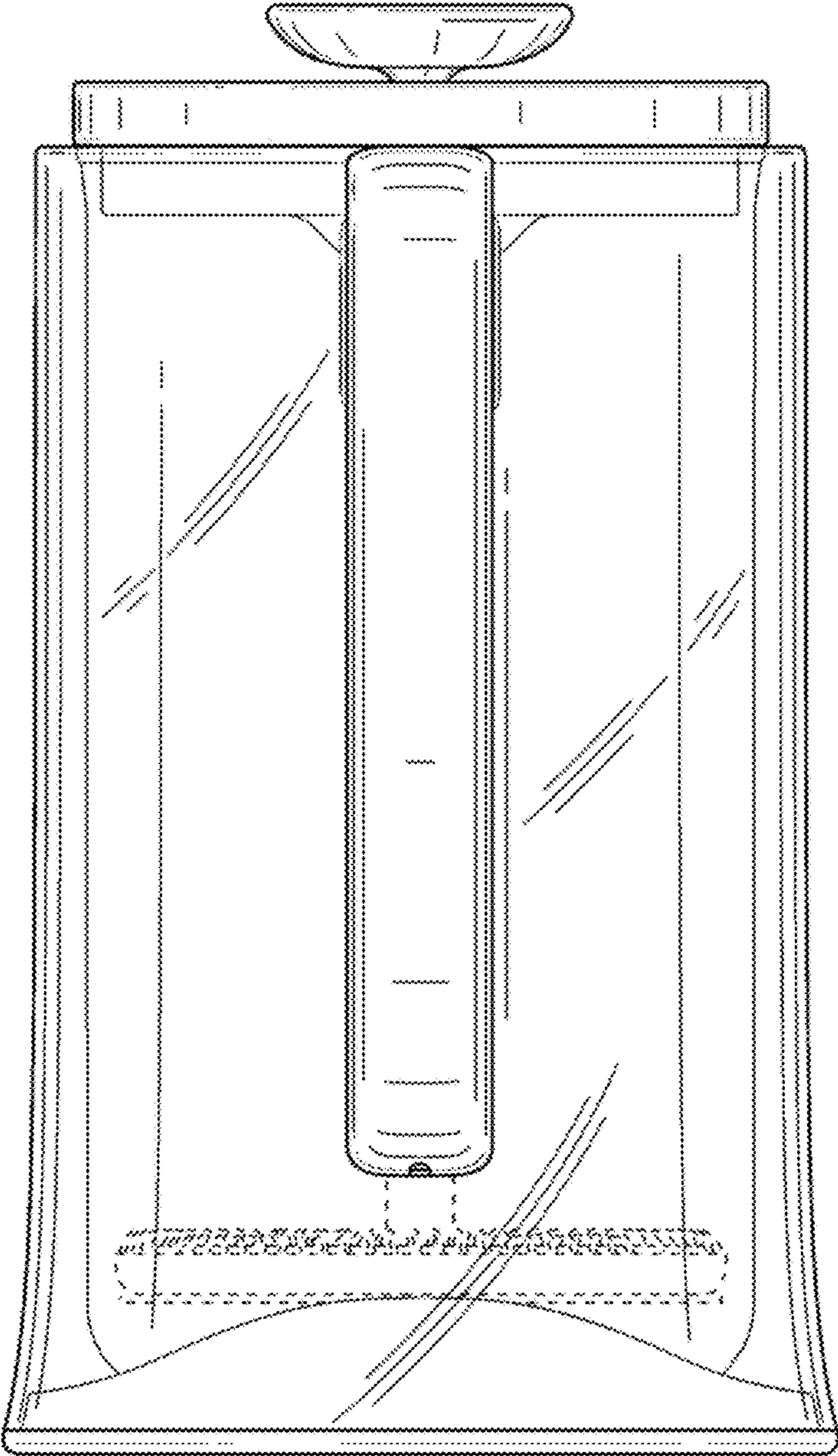


FIG. 3

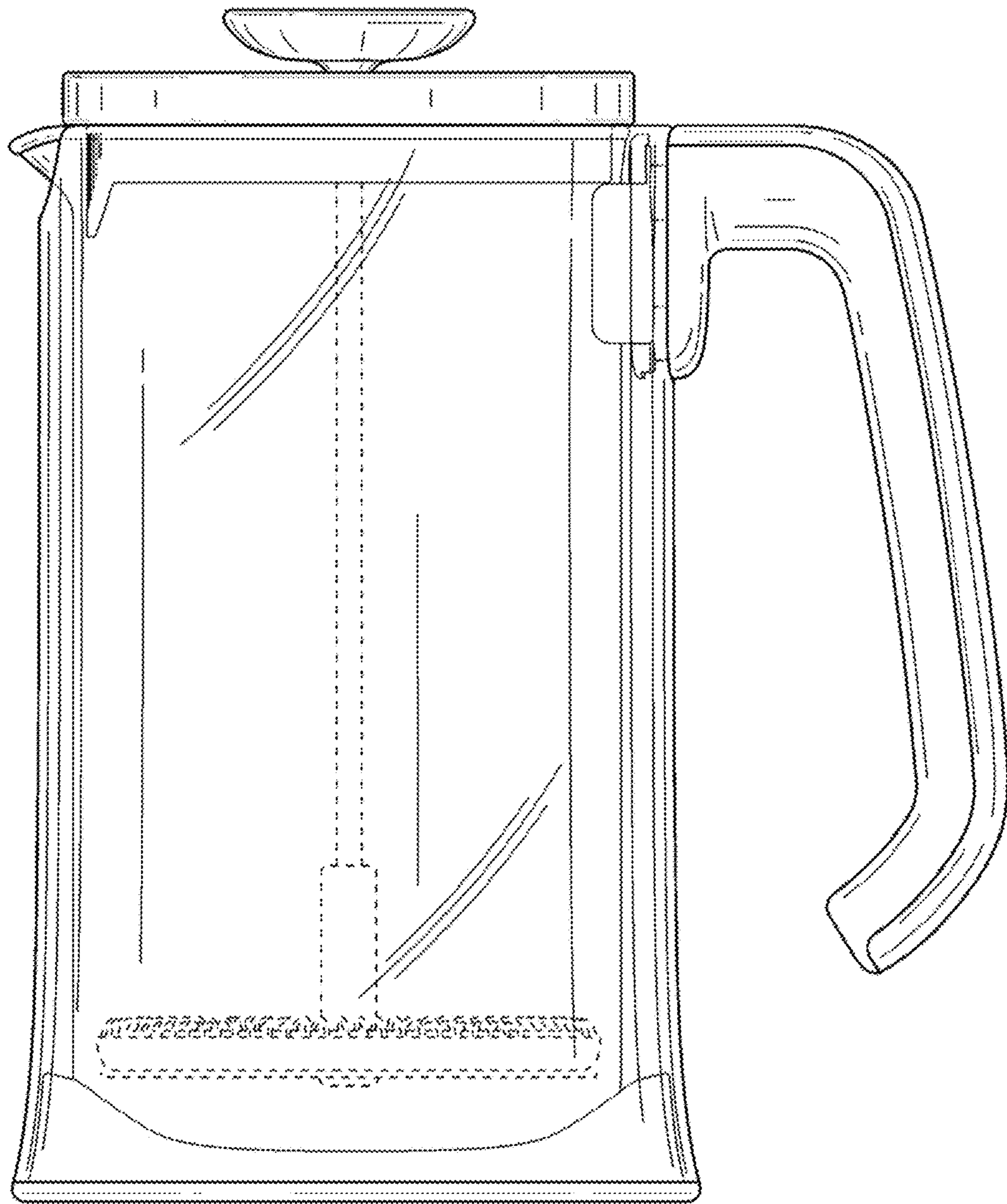


FIG. 4



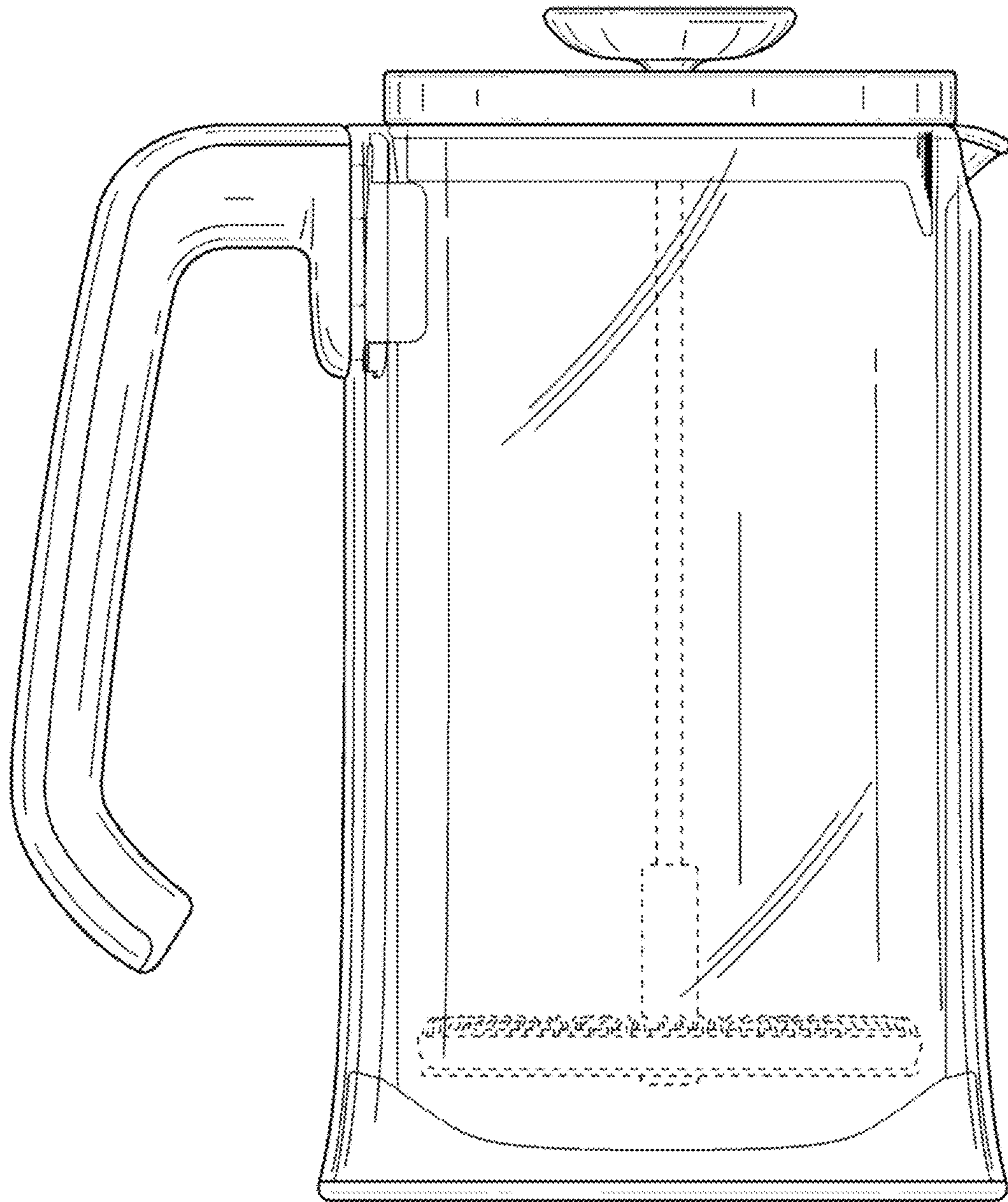


FIG. 5

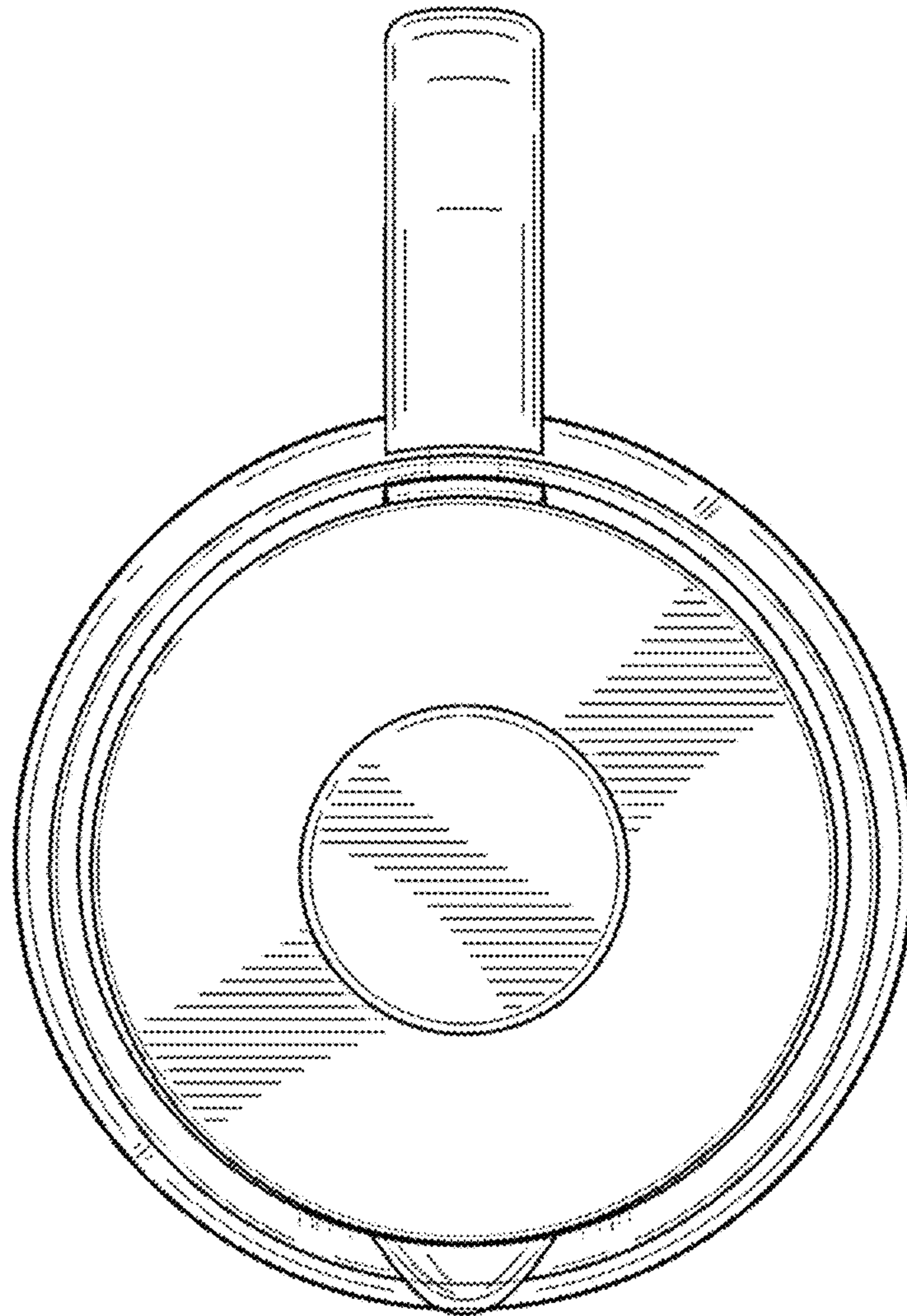


FIG. 6

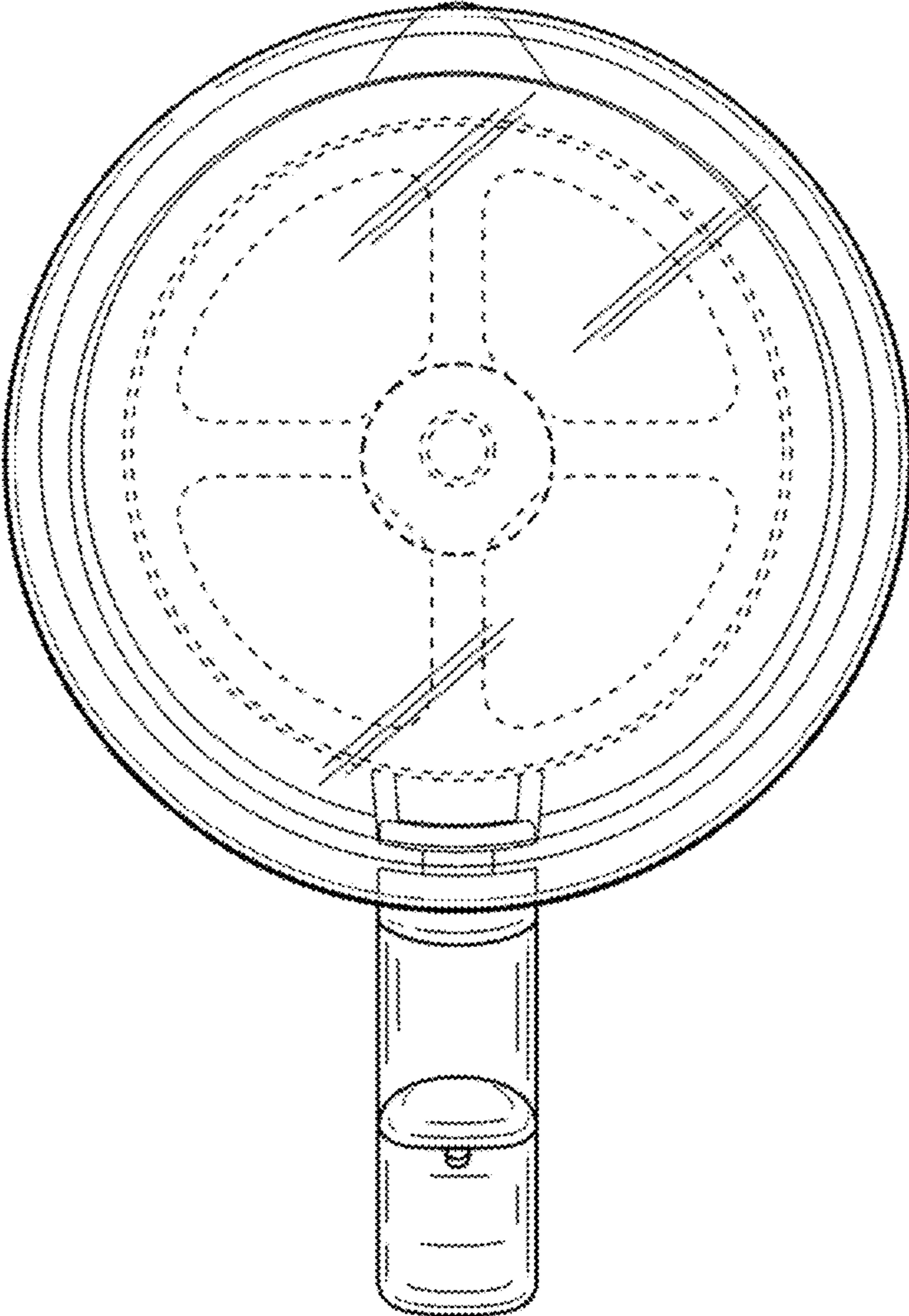


FIG. 7