



US00D833195S

(12) **United States Design Patent** (10) **Patent No.:** **US D833,195 S**
McDonald et al. (45) **Date of Patent:** **** *Nov. 13, 2018**

(54) **BEER DISPENSER** D304,665 S * 11/1989 Start D7/313
5,232,129 A * 8/1993 Guerra B67D 1/06
137/375

(71) Applicant: **Fizzics Group LLC**, Manchester, NH
(US) 5,240,144 A 8/1993 Feldman
D356,713 S * 3/1995 Groover D7/306
5,619,905 A * 4/1997 Wu A47G 23/04
126/358.1

(72) Inventors: **David Arlen McDonald**, Merimack,
NH (US); **Phillip Petracca**, Howell, NJ
(US) D385,747 S * 11/1997 Inoue D7/311
D401,803 S * 12/1998 Alferink D7/307
D412,262 S * 7/1999 Roundtree D7/307
D421,871 S * 3/2000 Klosinski D7/309
D431,145 S * 9/2000 Woebcke D7/306
D464,226 S * 10/2002 Lassota D7/306
D478,460 S * 8/2003 Chiu D7/306

(*) Notice: This patent is subject to a terminal disclaimer.
(Continued)

(**) Term: **15 Years**

Primary Examiner — Marianne Pandozzi
(74) Attorney, Agent, or Firm — Keeley DeAngelo LLP

(21) Appl. No.: **29/567,606**

(57) **CLAIM**

The ornamental design for a beer dispenser, as shown and described.

(22) Filed: **Jun. 10, 2016**

(51) **LOC (11) Cl.** **07-01**

(52) **U.S. Cl.**

USPC **D7/306; D7/313**

(58) **Field of Classification Search**

USPC D7/305–311, 313, 300; D15/82;
222/129.1, 146.6, 131; 99/295

CPC A47J 31/44; A47J 31/41; A47J 41/0033;
B67D 1/36; B67D 1/1234; B67D 1/06;
A47G 23/04; B05B 11/06

See application file for complete search history.

DESCRIPTION

FIG. 1 is a front left perspective view of a beer dispenser showing our new design;

FIG. 2 is a rear right perspective view of a beer dispenser;
FIG. 3 is a front plan view in elevation of the beer dispenser of FIGS. 1 and 2;

FIG. 4 is a side view in elevation of the beer dispenser of FIGS. 1 and 2 as seen from the right-hand side thereof;
FIG. 5 is a rear view in elevation of the beer dispenser of FIGS. 1 and 2;

FIG. 6 is a side view in elevation of the beer dispenser of FIGS. 1 and 2 as seen from the left-hand side thereof;

FIG. 7 is a top plan view of the beer dispenser of FIGS. 1 and 2; and,

FIG. 8 is a bottom plan view of the beer dispenser of FIGS. 1 and 2.

The broken lines in the drawing depict portions of the beer dispenser that form no part of the claimed design.

(56) **References Cited**

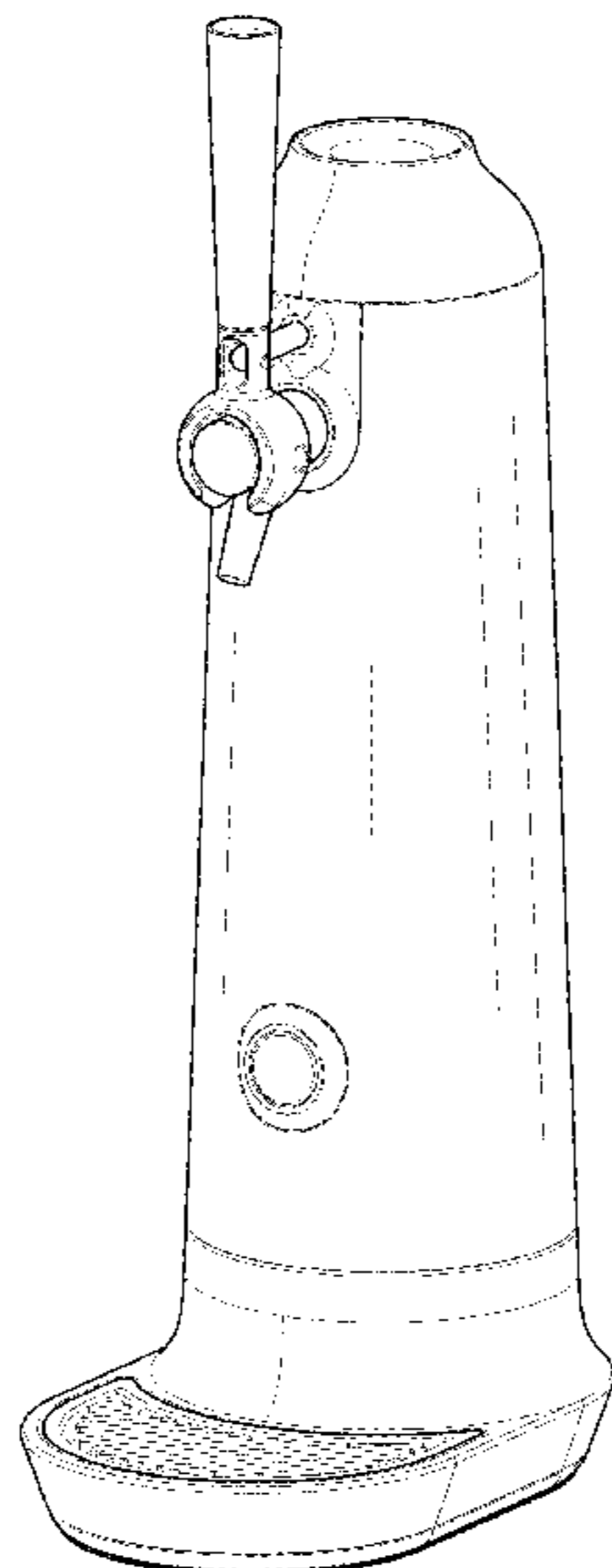
U.S. PATENT DOCUMENTS

D88,350 S * 11/1932 Green D7/313
3,355,068 A * 11/1967 Harland B67D 1/1466
141/102

D235,015 S * 4/1975 Stern D23/209
4,113,147 A * 9/1978 Frazier A47J 41/0033
222/131

4,559,979 A 12/1985 Koblasz et al.
D300,106 S * 3/1989 Paulin D7/309

1 Claim, 8 Drawing Sheets



(56)

References Cited

U.S. PATENT DOCUMENTS

6,824,013	B2	11/2004	Harrison	
D509,986	S *	9/2005	O'Neill	D7/309
D518,677	S *	4/2006	Van Berlo	D7/306
D519,774	S *	5/2006	Hansen	D7/306
D521,794	S *	5/2006	Hansen	D7/306
D527,214	S *	8/2006	Hansen	D7/306
D569,162	S *	5/2008	Gu	D7/306
D582,193	S *	12/2008	Picozza	D7/306
D599,159	S *	9/2009	Stein	D7/306
D606,356	S *	12/2009	Uylings	D7/308
D625,135	S *	10/2010	Warburton	D7/306
7,810,679	B2	10/2010	Wauters	
D644,471	S *	9/2011	Fiori	D7/306
D677,100	S *	3/2013	Amundson	D7/301
8,453,882	B2	6/2013	Johnson	
D694,055	S *	11/2013	Hirst	D7/306
D774,348	S *	12/2016	Veeravagu	D7/306
2011/0127298	A1	6/2011	Shah	

* cited by examiner

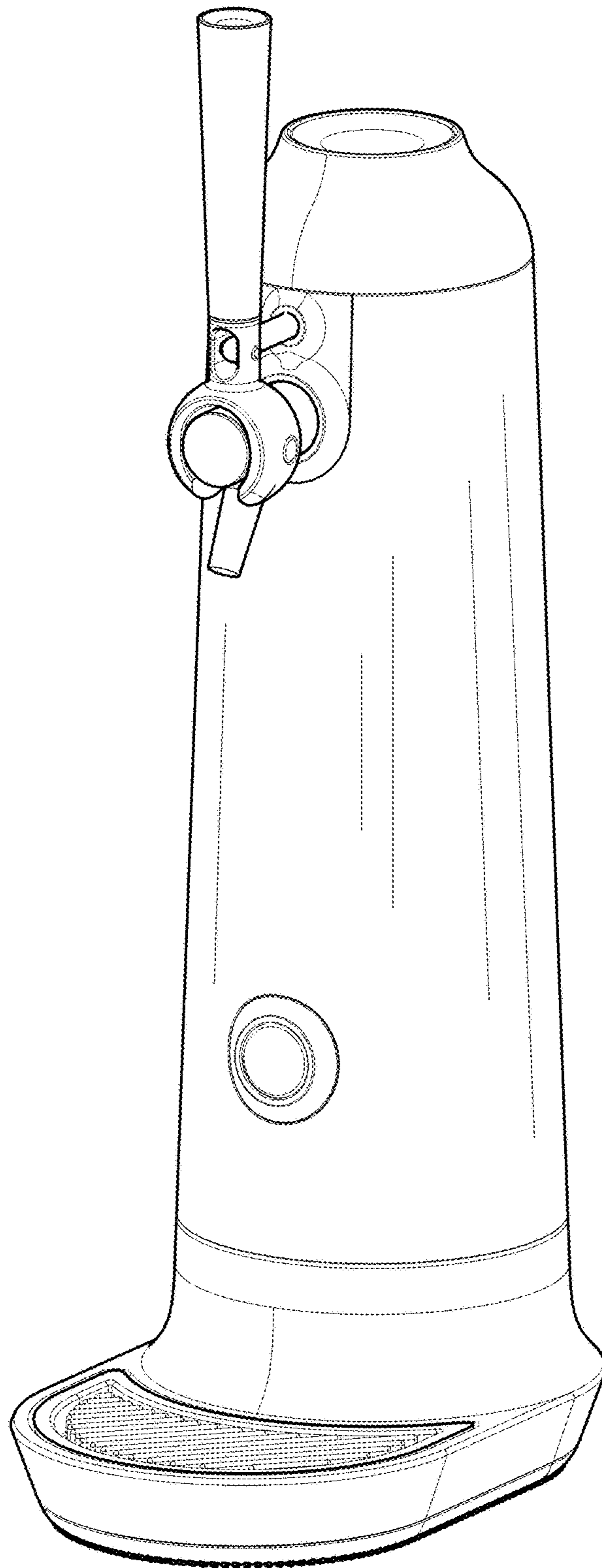


Figure 1

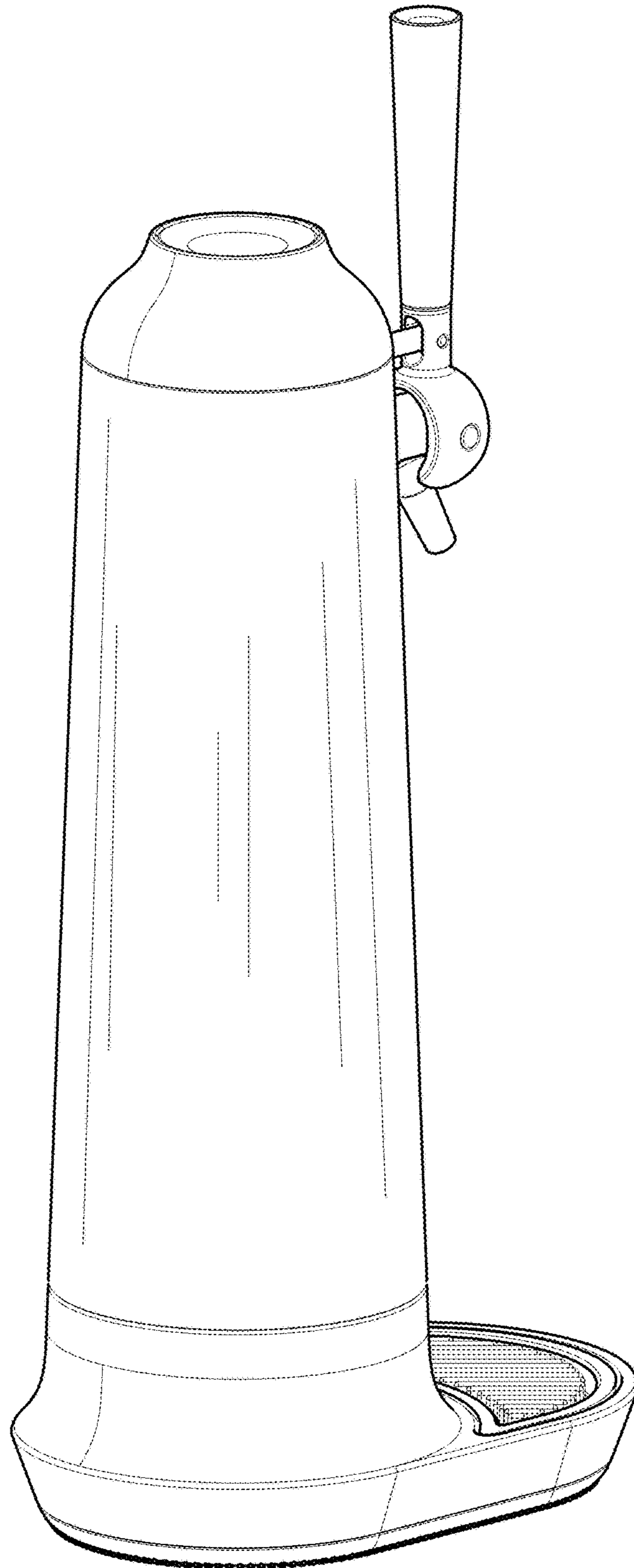


Figure 2

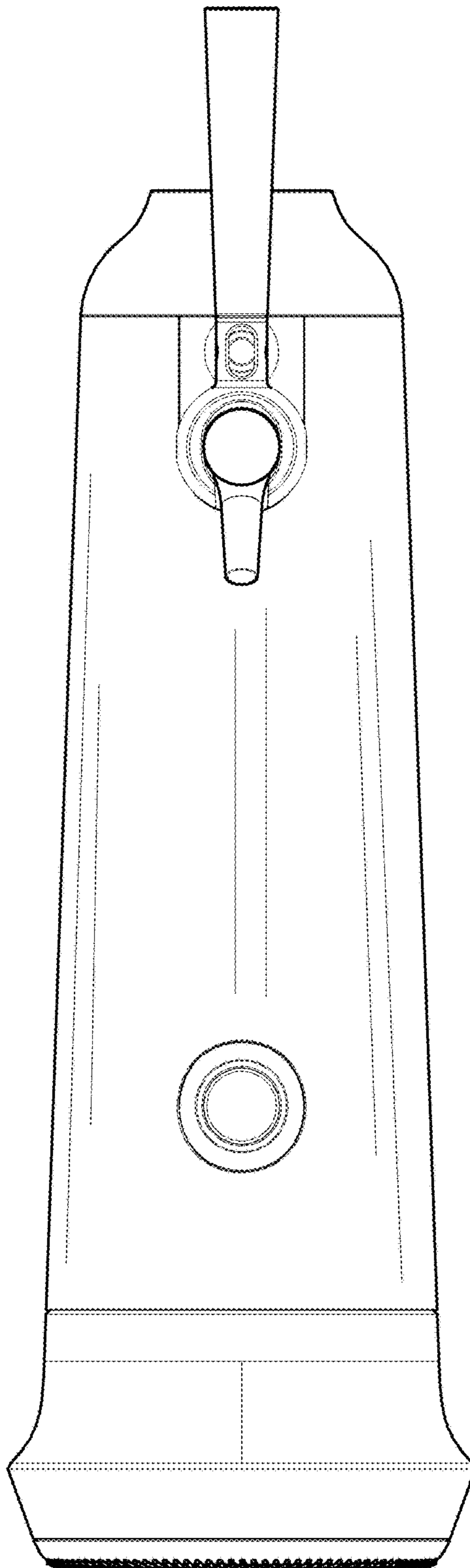


Figure 3

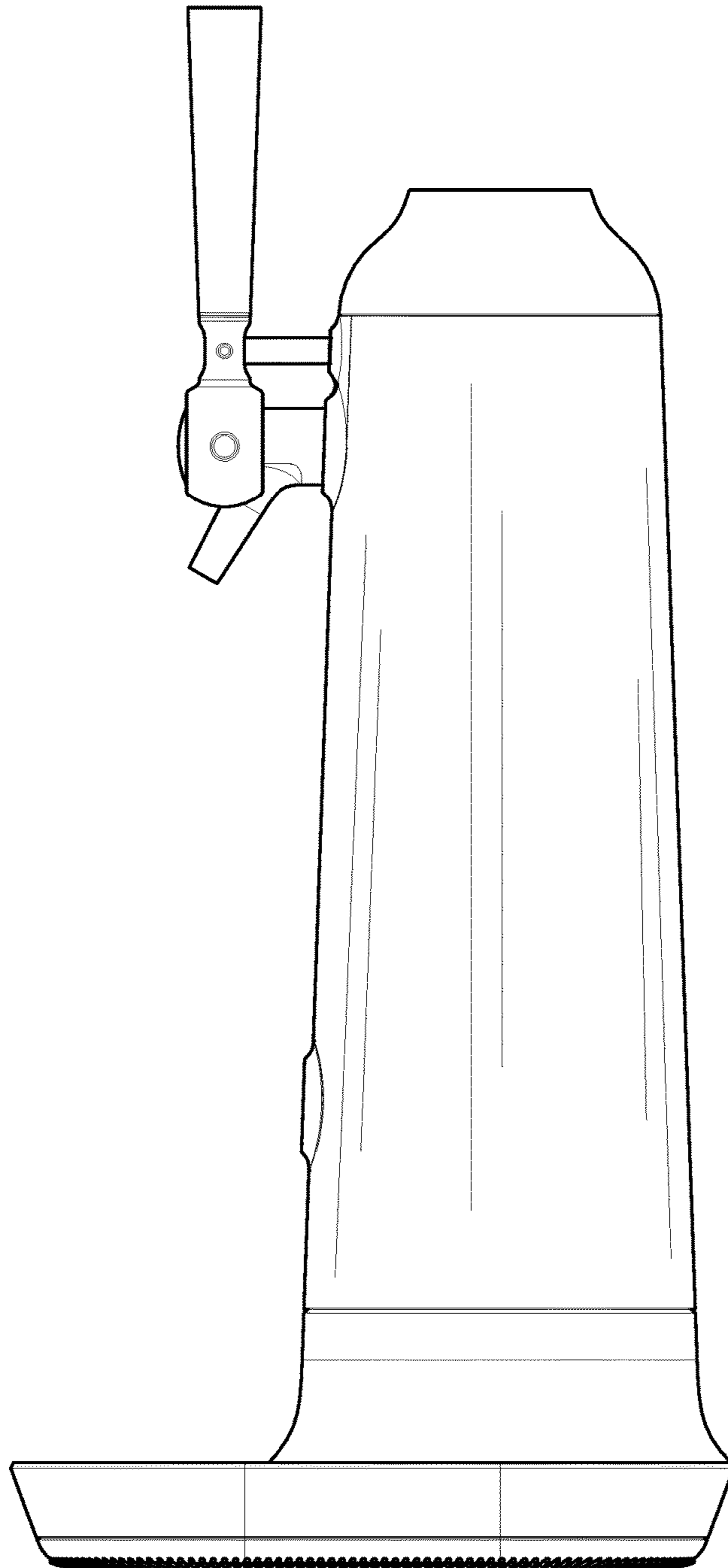


Figure 4

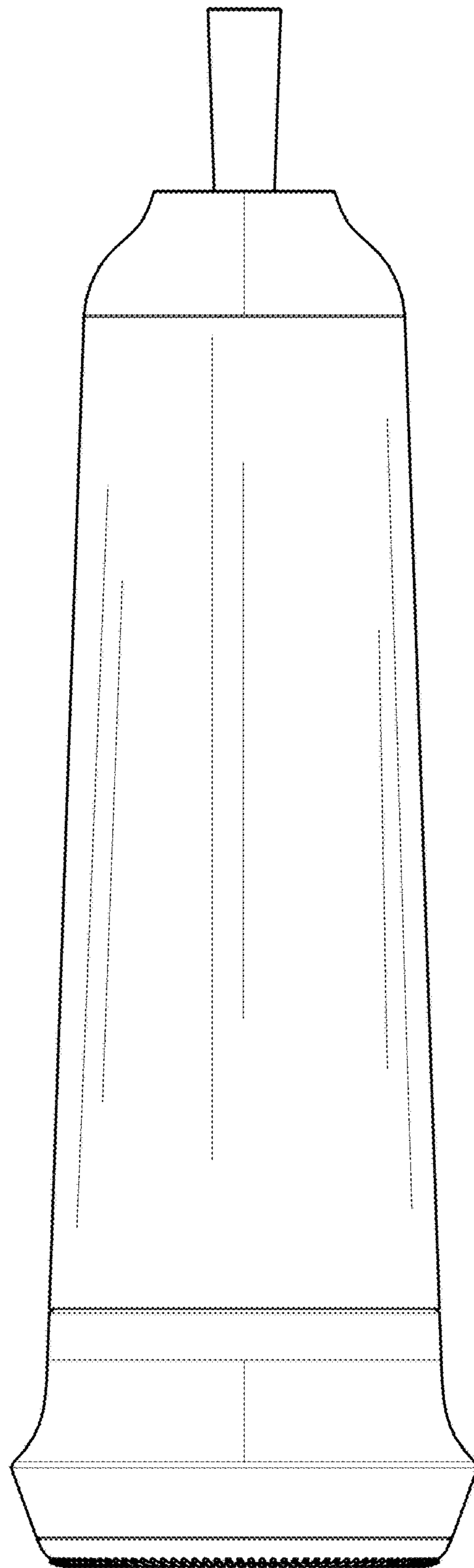


Figure 5

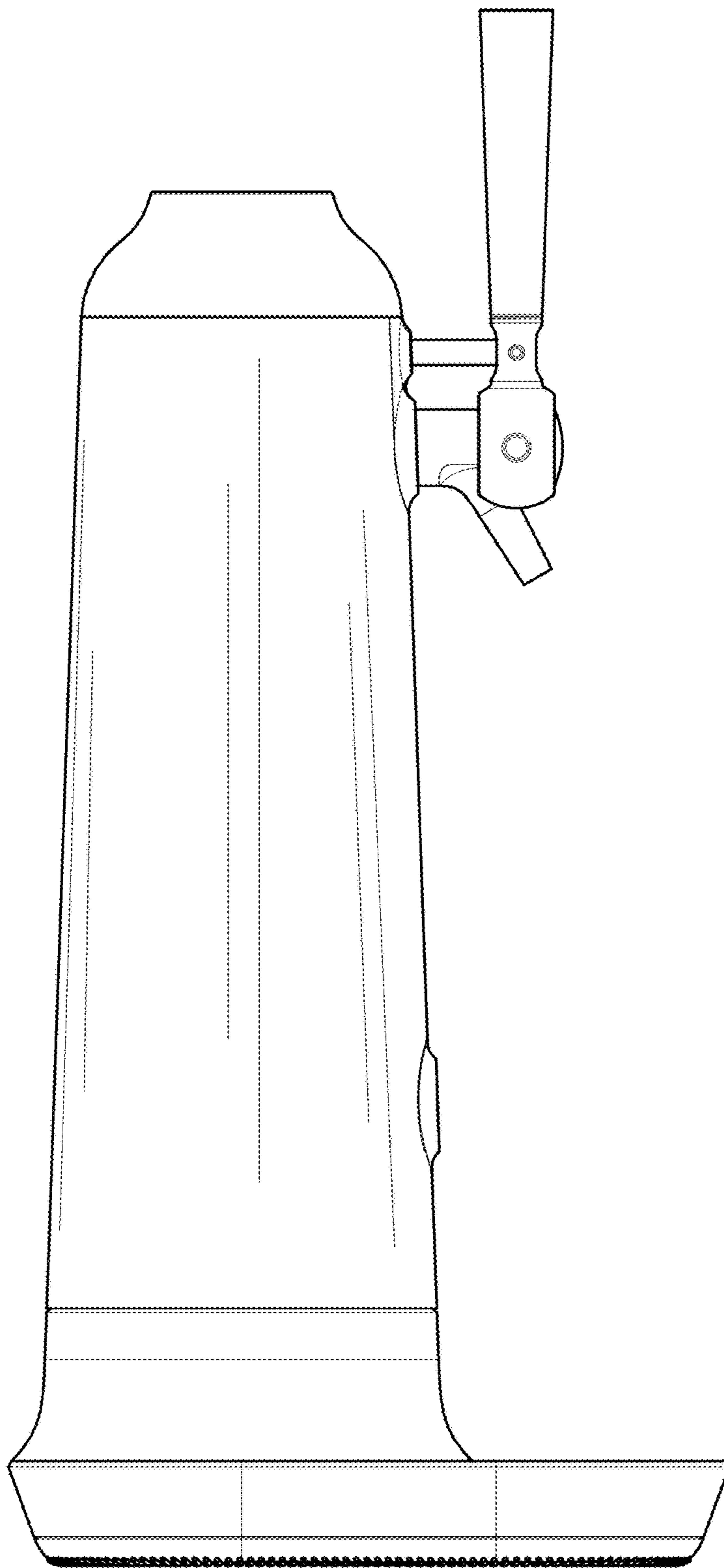


Figure 6

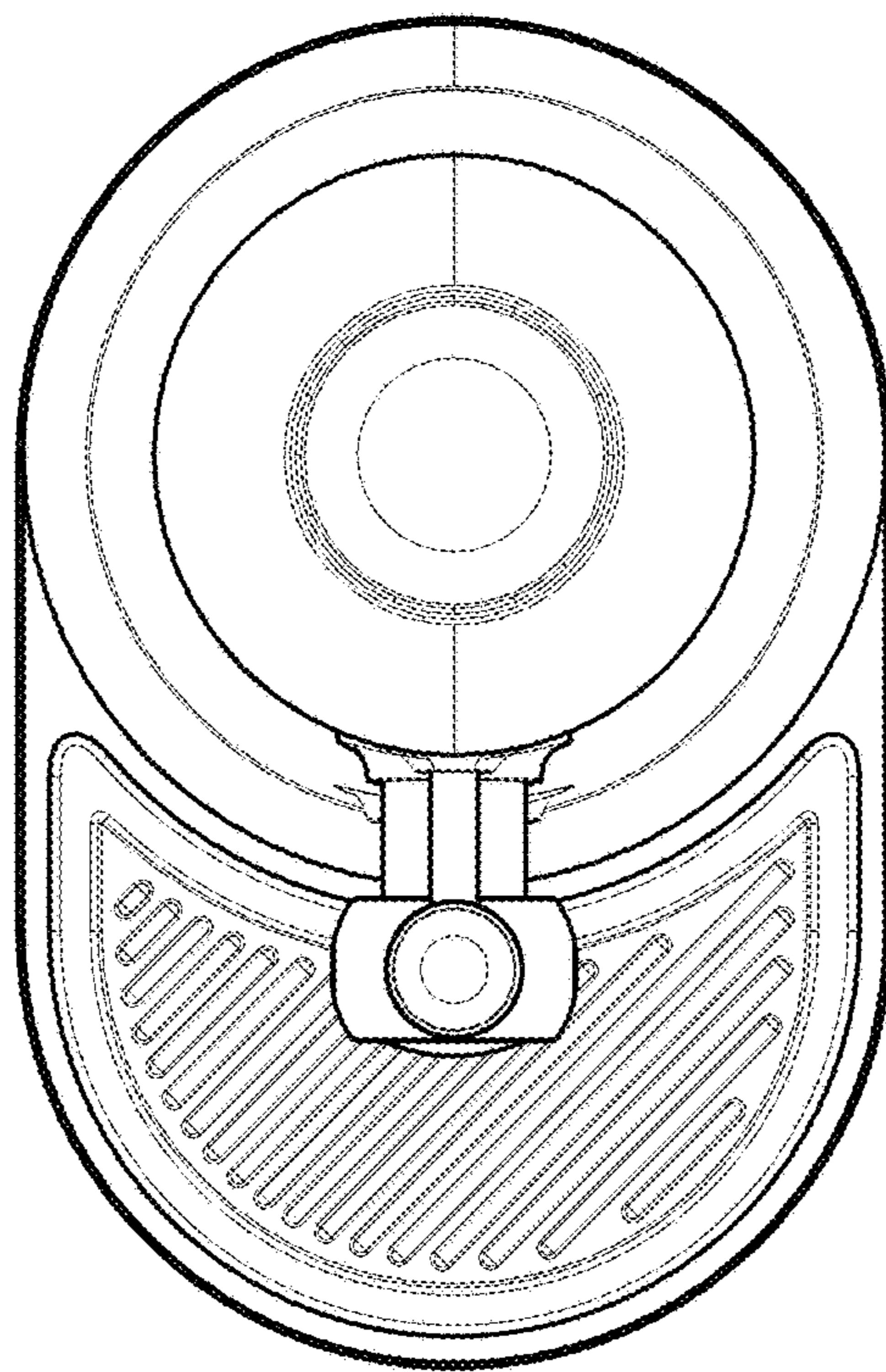


Figure 7

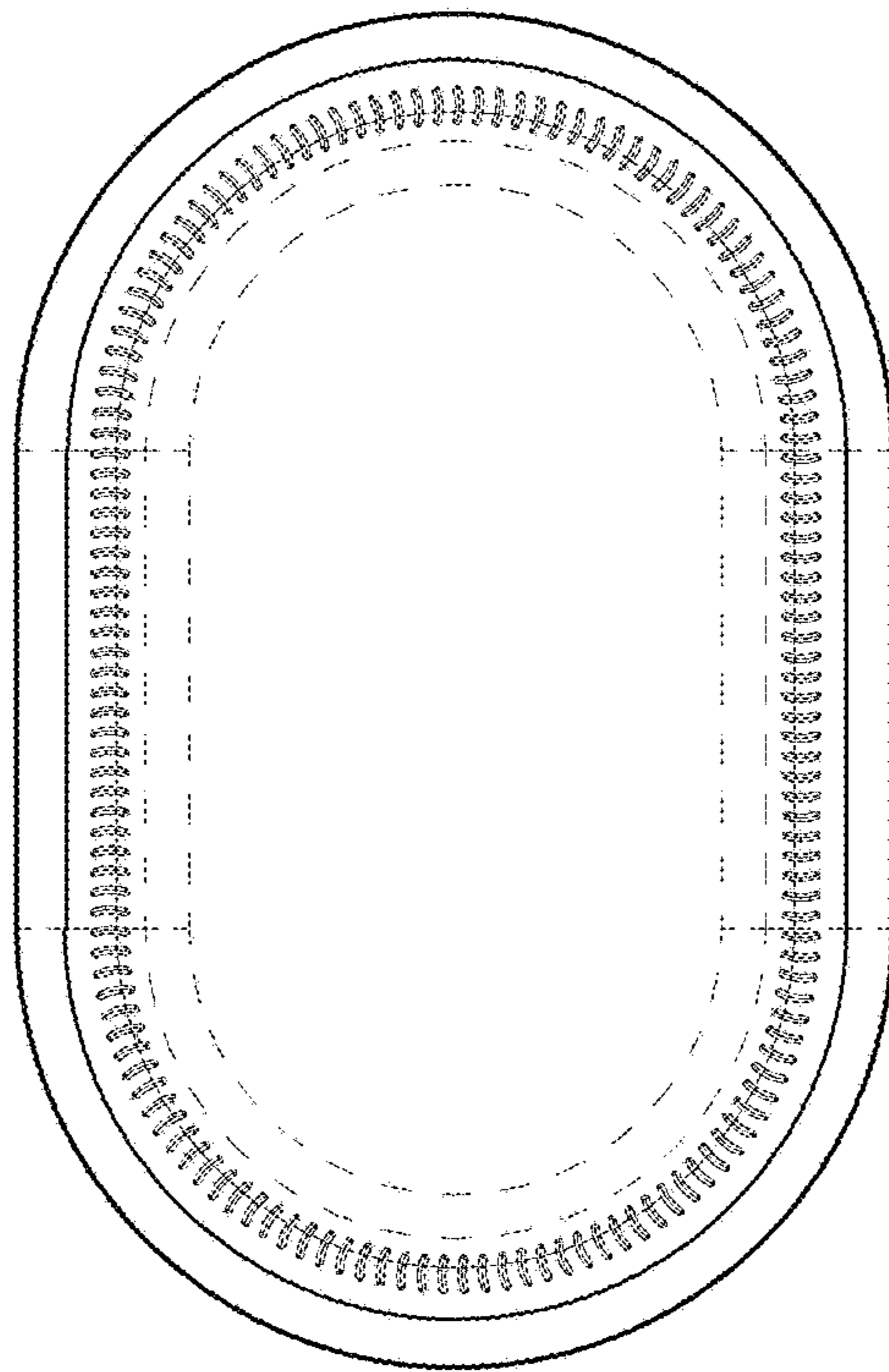


Figure 8