



US00D833194S

(12) **United States Design Patent** (10) **Patent No.:** **US D833,194 S**
Ladjavardi et al. (45) **Date of Patent:** **** Nov. 13, 2018**

(54) **MUDDLER ATTACHMENT FOR STRAW**
(71) Applicants: **Farzad Ladjavardi**, Irvine, CA (US);
Bitra Mehrabani, Irvine, CA (US);
Mohsen Motamedian, Irvine, CA (US)

(72) Inventors: **Farzad Ladjavardi**, Irvine, CA (US);
Bitra Mehrabani, Irvine, CA (US);
Mohsen Motamedian, Irvine, CA (US)

(**) Term: **15 Years**

(21) Appl. No.: **29/528,787**

(22) Filed: **Jun. 1, 2015**

(51) **LOC (11) Cl.** **07-06**

(52) **U.S. Cl.**
USPC **D7/300.2; D7/682**

(58) **Field of Classification Search**
USPC D7/300.2, 301, 305, 376, 682, 692;
D9/436, 716, 717; D24/108, 110, 112,
D24/116; 30/141; 215/229, 388, 389;
239/16, 17, 24, 33; 604/35; 433/91, 96
CPC A47G 21/18; A47G 21/182; A47G 21/186;
A47J 19/04
See application file for complete search history.

(56) **References Cited**

U.S. PATENT DOCUMENTS

- 2,613,107 A * 10/1952 Hartnett A47G 21/181
239/33
- 2,637,537 A * 5/1953 Arthur A47J 43/0711
366/317
- 2,979,267 A * 4/1961 Miller A47G 21/181
215/388
- D211,046 S * 5/1968 Saffran D7/300.2
- D402,847 S * 12/1998 Kinder D7/300.2
- 6,223,651 B1 * 5/2001 Campbell A23L 13/72
452/146
- D488,339 S * 4/2004 Lee D7/300.2

- D600,510 S * 9/2009 Courington D7/688
- D649,389 S * 11/2011 Bickert D7/300.2
- D720,967 S * 1/2015 Melzer D7/669
- 2006/0291191 A1 * 12/2006 Vanderschuit A47G 21/182
362/101

(Continued)

OTHER PUBLICATIONS

“Stainless Steel Muddler”. Found online Mar. 9, 2016 at worldmarket.com. Page dated Apr. 12, 2014. Retrieved from <http://www.worldmarket.com/product/stainless-steel-muddler.do>.*

(Continued)

Primary Examiner — George D. Kirschbaum

Assistant Examiner — Kendra Leslie Hamilton

(74) *Attorney, Agent, or Firm* — Kafantaris Law Offices;
Theo Kafantaris

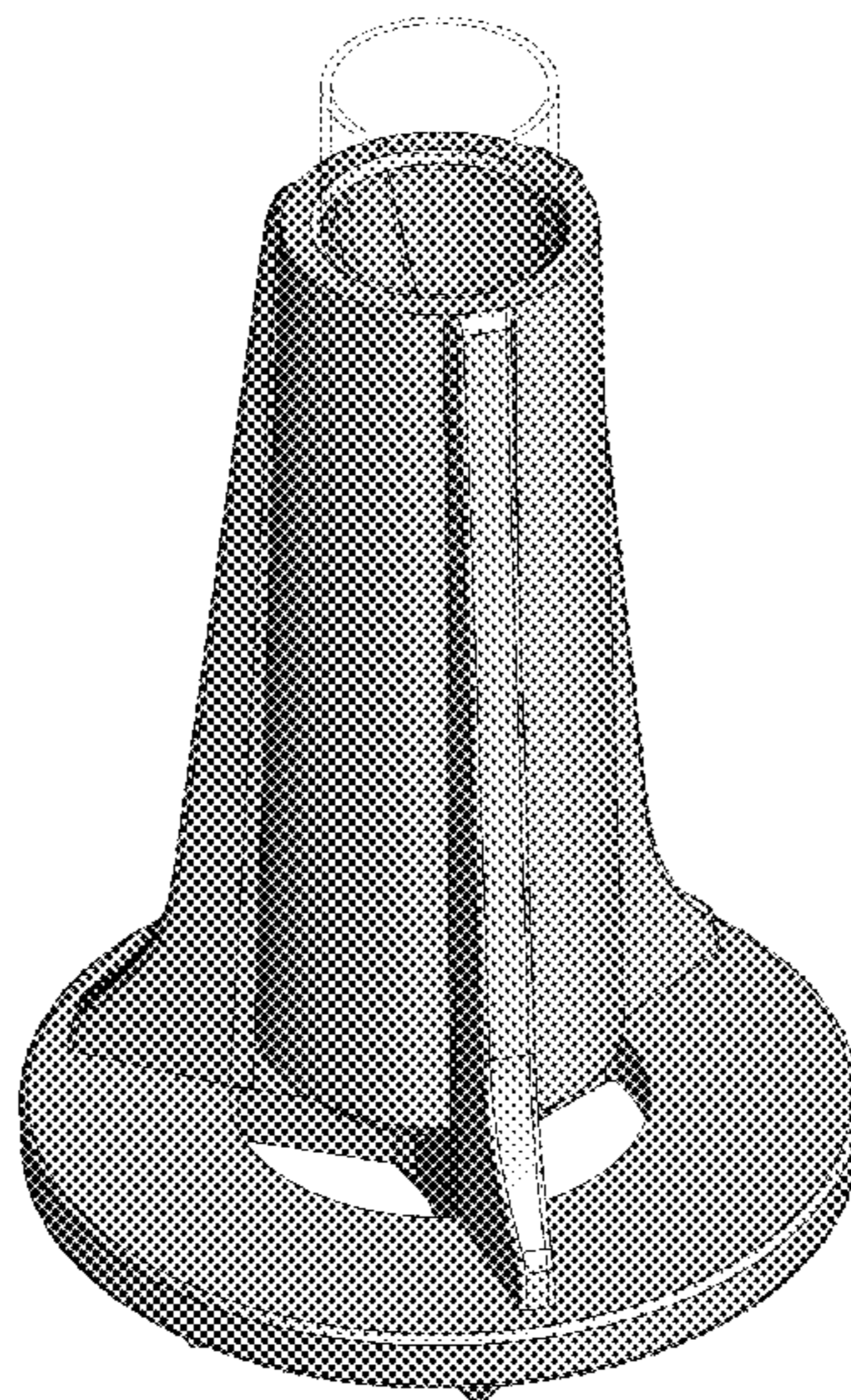
(57) **CLAIM**

The ornamental design for a muddler attachment for straw, as shown and described.

DESCRIPTION

FIG. 1 is a front isometric view of the muddler attachment for straw showing my new design;
FIG. 2 is a front dimetric view thereof;
FIG. 3 is a front trimetric view thereof;
FIG. 4 is a front isometric view thereof, in condition of use;
FIG. 5 is a front isometric cross-sectional view of FIG. 1, taken along line 5-5 of FIG. 9;
FIG. 6 is a front isometric cross-sectional view thereof, taken along line 5-5 of FIG. 9, in condition of use;
FIG. 7 is a front elevation view of FIG. 1;
FIG. 8 is a rear elevation view thereof;
FIG. 9 is a top plan view thereof; and,
FIG. 10 is a bottom plan view thereof.
The broken line showing of a straw in FIGS. 4 & 6 represent unclaimed environmental subject matter and forms no part of the claim.

1 Claim, 10 Drawing Sheets



(56)

References Cited

U.S. PATENT DOCUMENTS

2007/0211562 A1* 9/2007 Pitsis A47G 21/181
366/129
2011/0041348 A1* 2/2011 Silvers A47J 43/28
30/276

OTHER PUBLICATIONS

“Mastrad Cocktail Muddler Straws”. Found online Mar. 8, 2016 at amazon.com. Page dated Apr. 14, 2014. Retrieved from <http://www.amazon.com/Mastrad-A01156-Cocktail-Muddler-Straws/dp/B00JH03MIG>.*

“Wooden Muddler—Stock Image”. Found online Jan. 23, 2015 at depositphotos.com. Page dated Feb. 25, 2010. Retrieved from <http://depositphotos.com/2331163/stock-photo-wooden-muddler.html?sqc=0&sqm=89&sq=424s6d>.*

“Halloween Head Gear: Shrek Costume”. Found online Mar. 9, 2016 at foundation08.blogspot.com. Page dated Oct. 21, 2010. Retrieved from <http://foundation08.blogspot.com/2010/10/halloween-head-gear-shrek-costume.html>.*

* cited by examiner

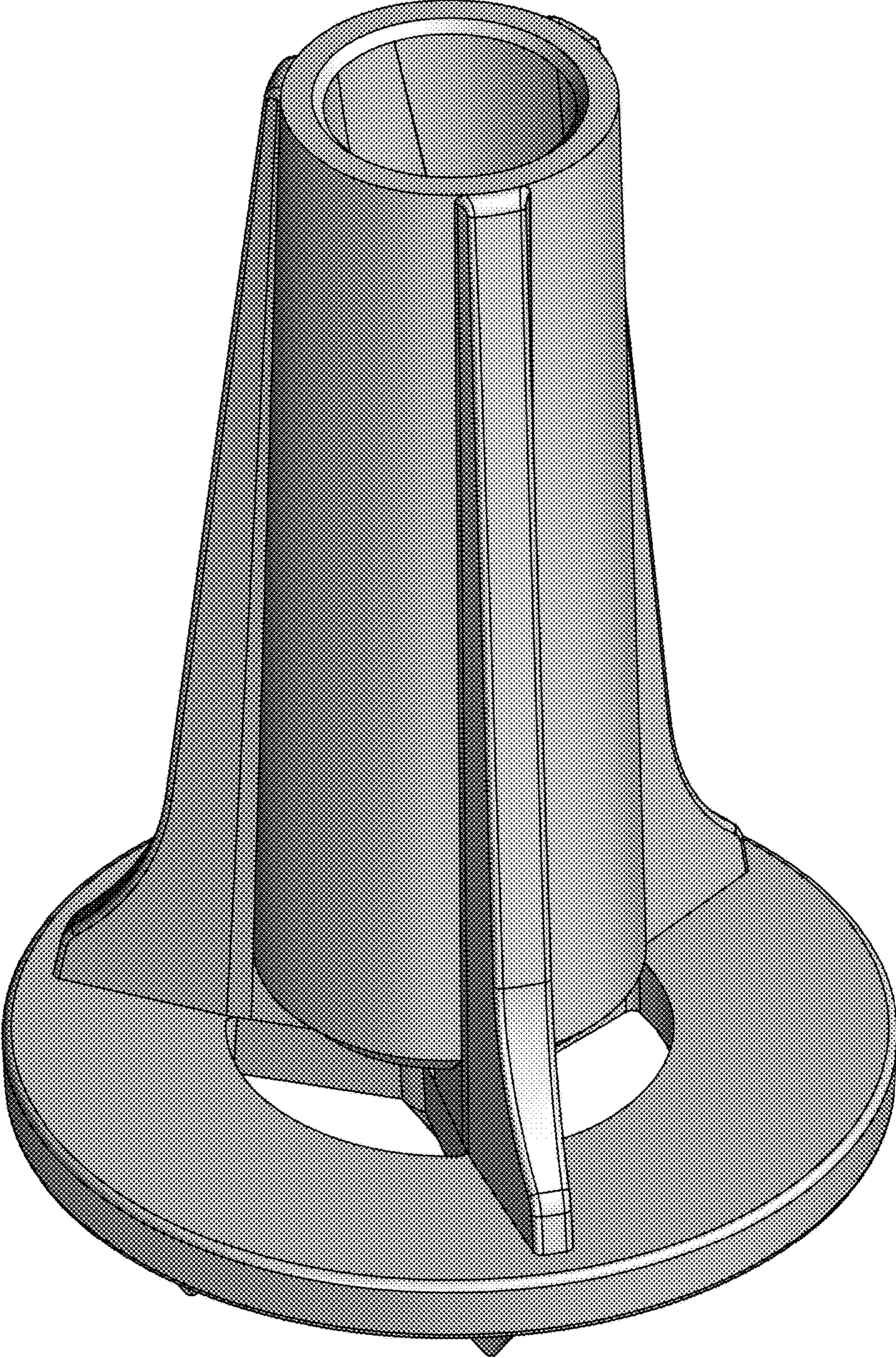


FIG. 1

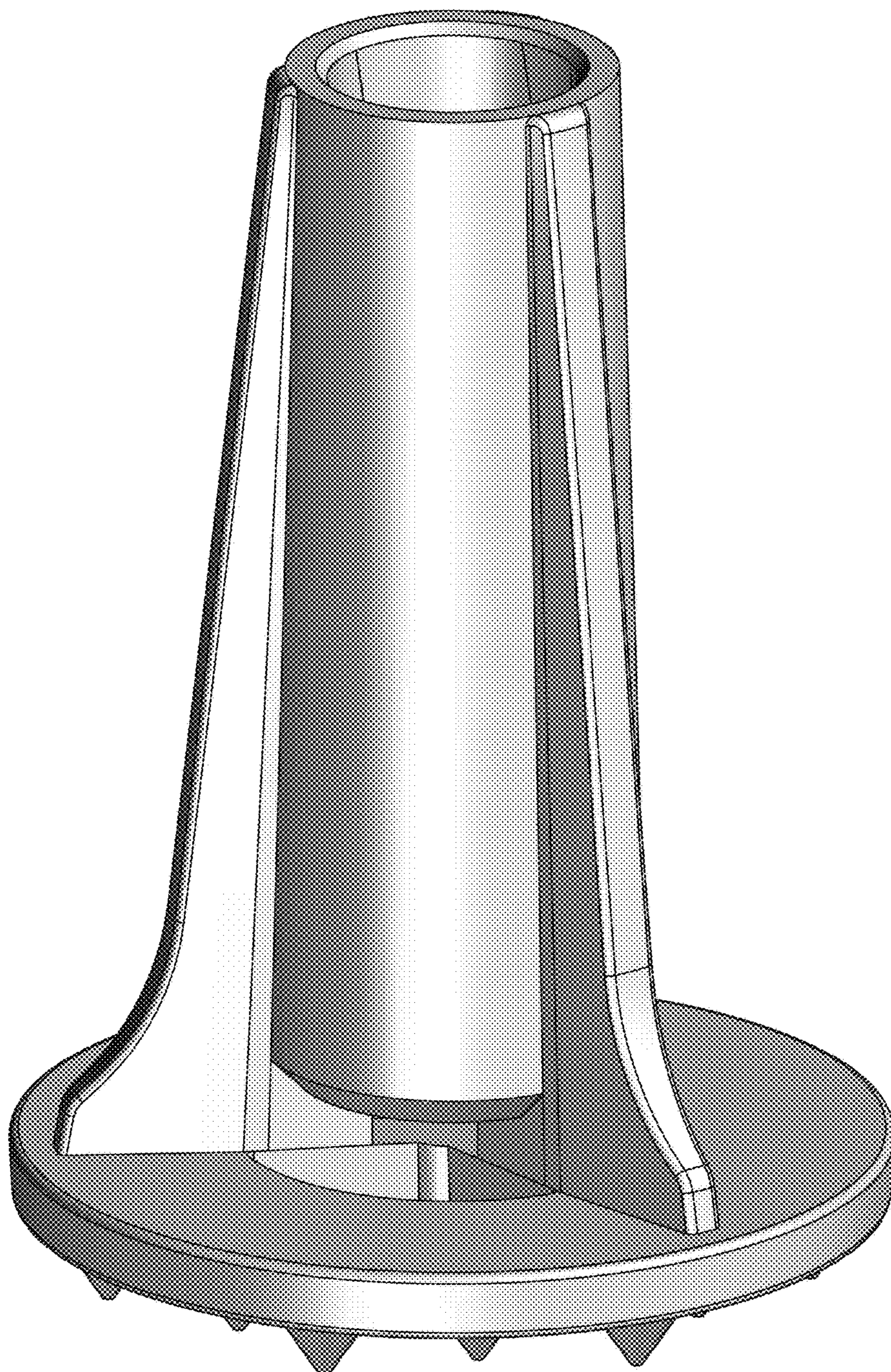


FIG. 2

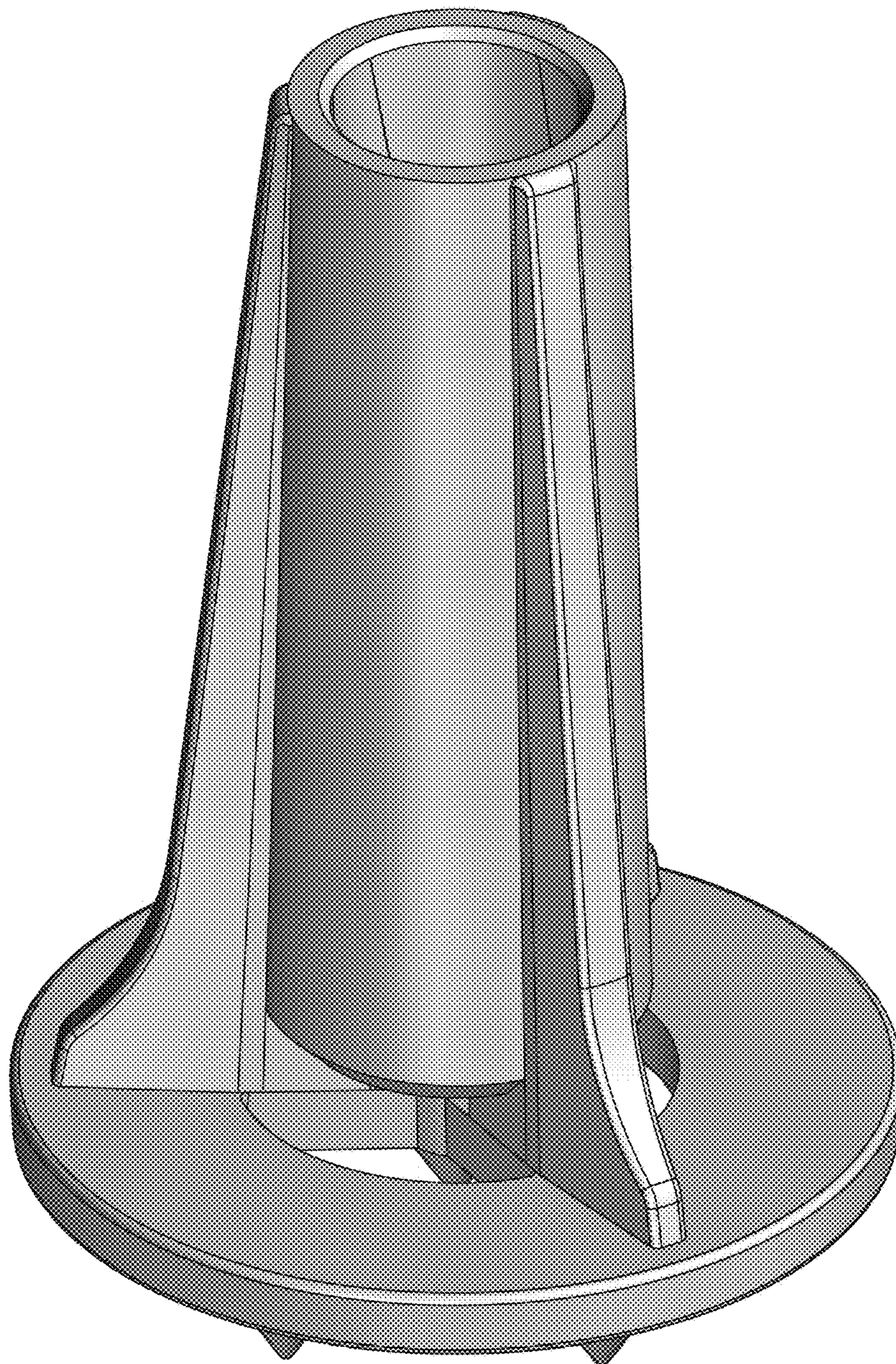


FIG. 3

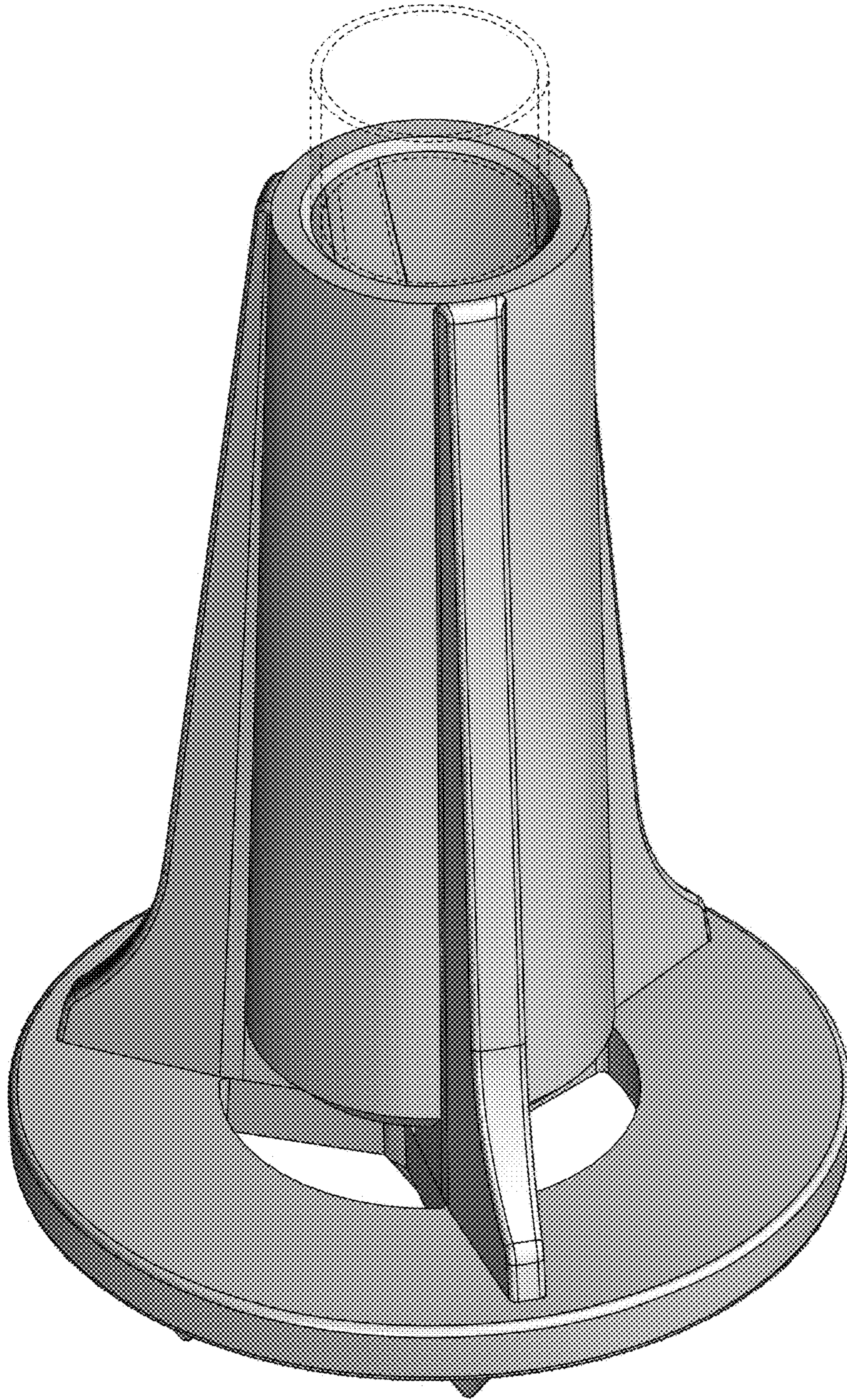


FIG. 4

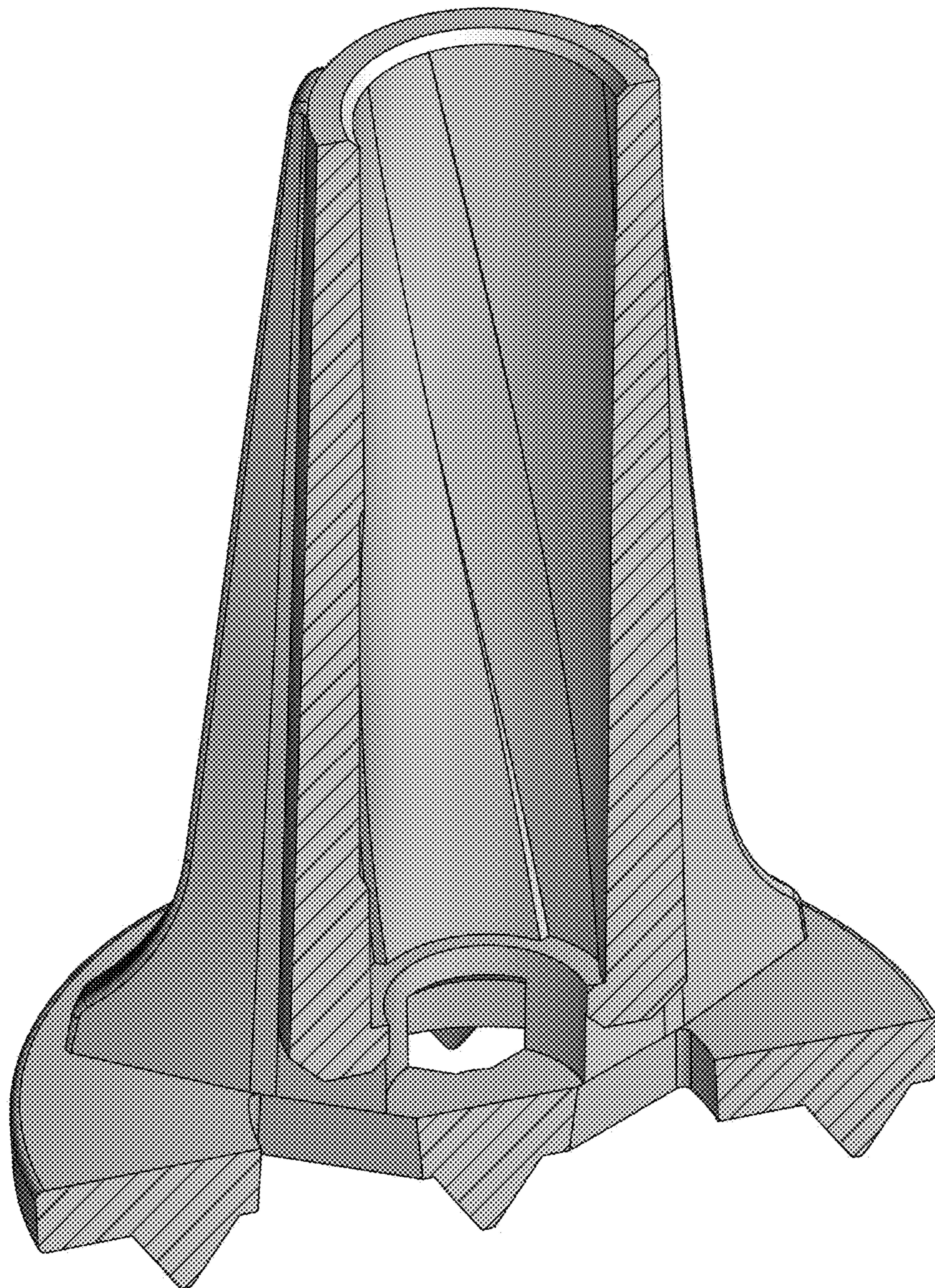


FIG. 5

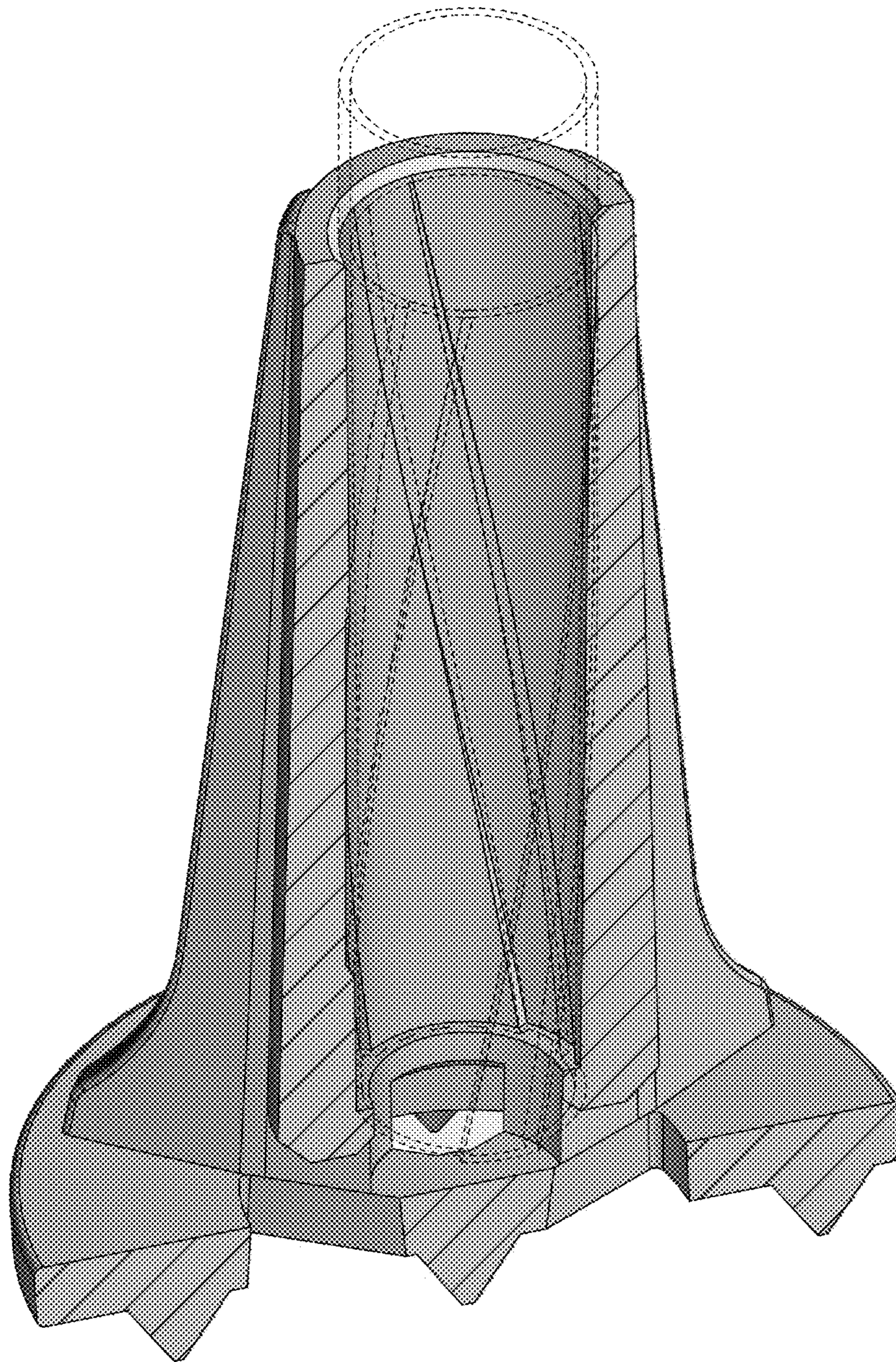


FIG. 6

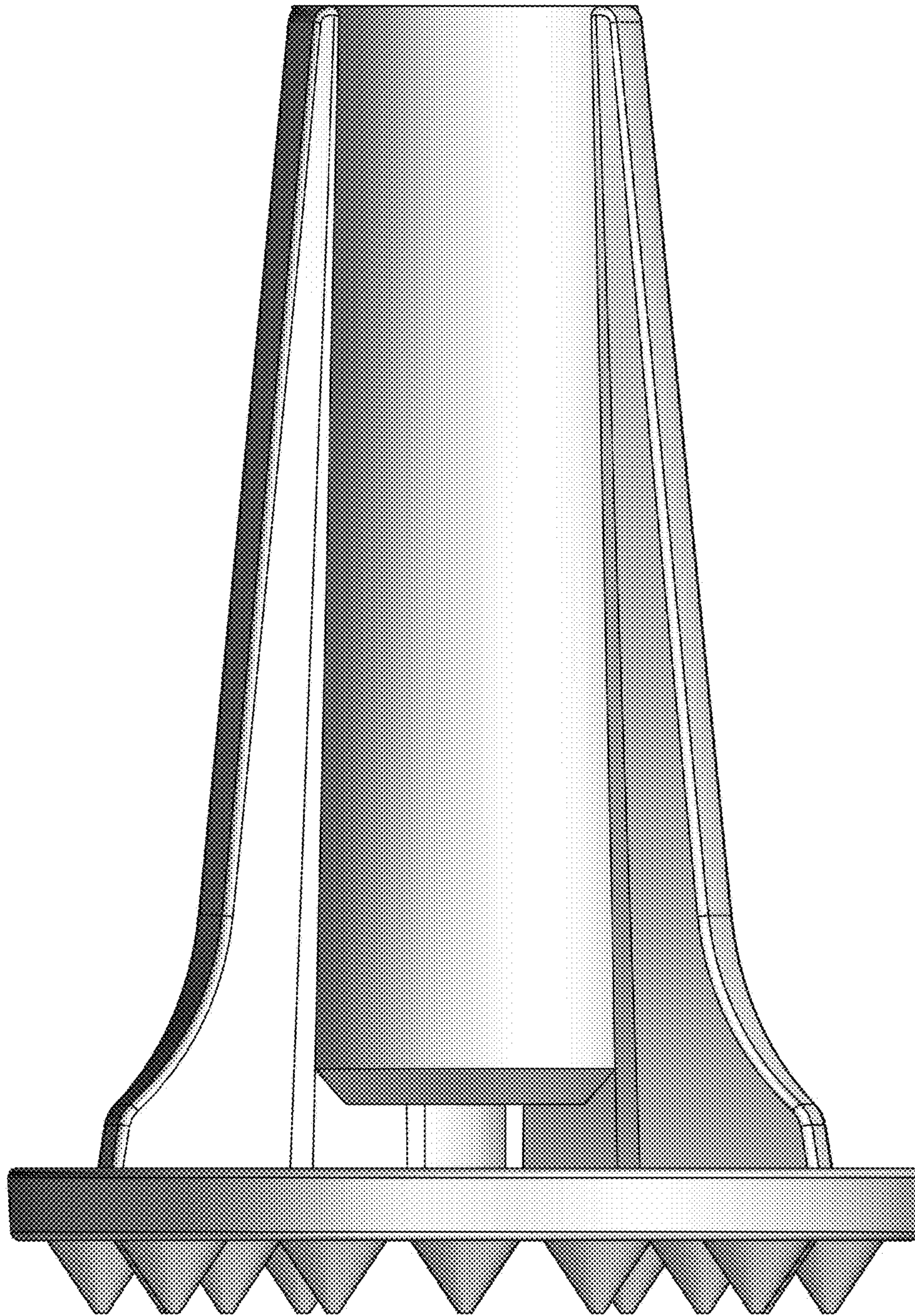


FIG. 7

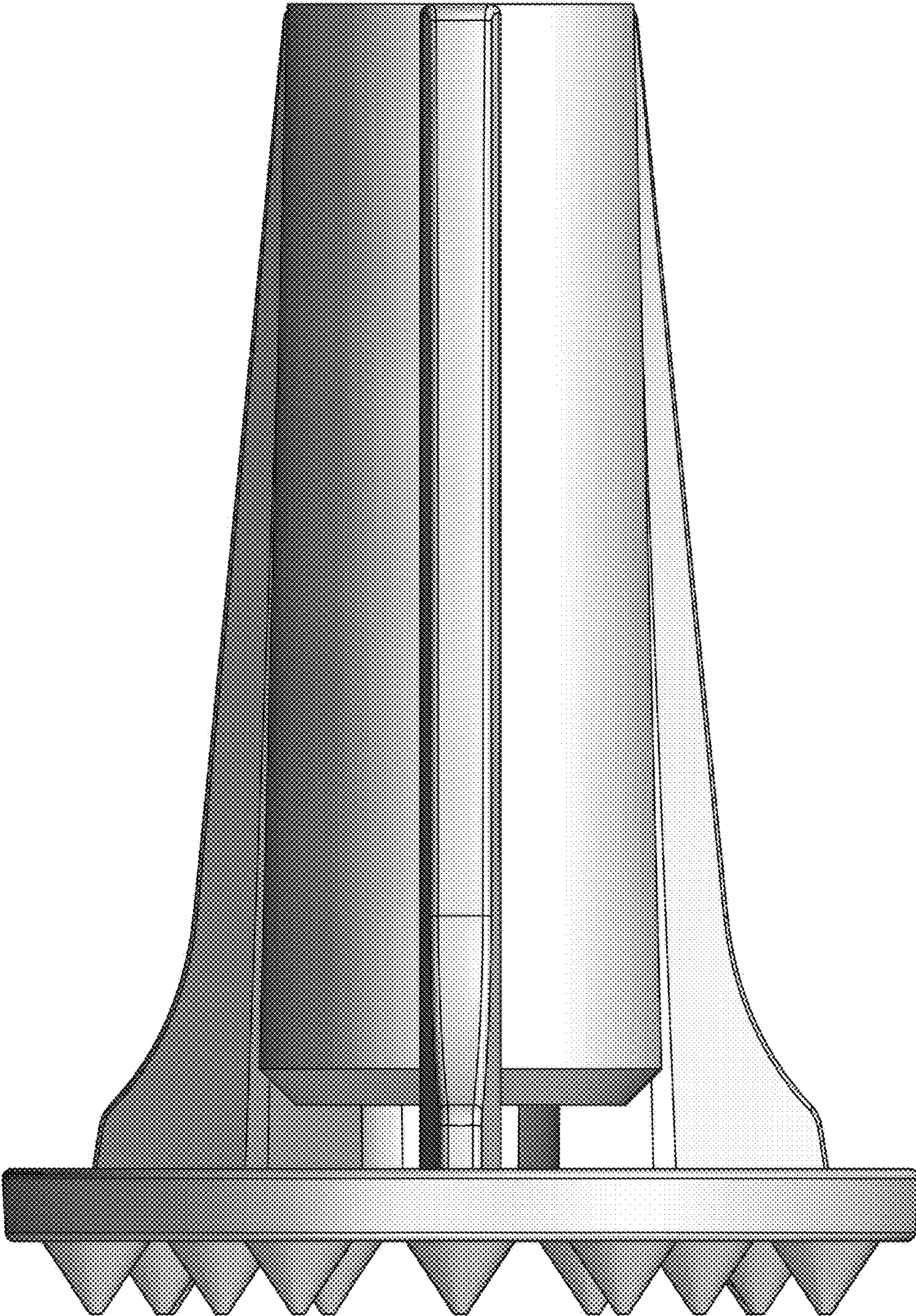


FIG. 8

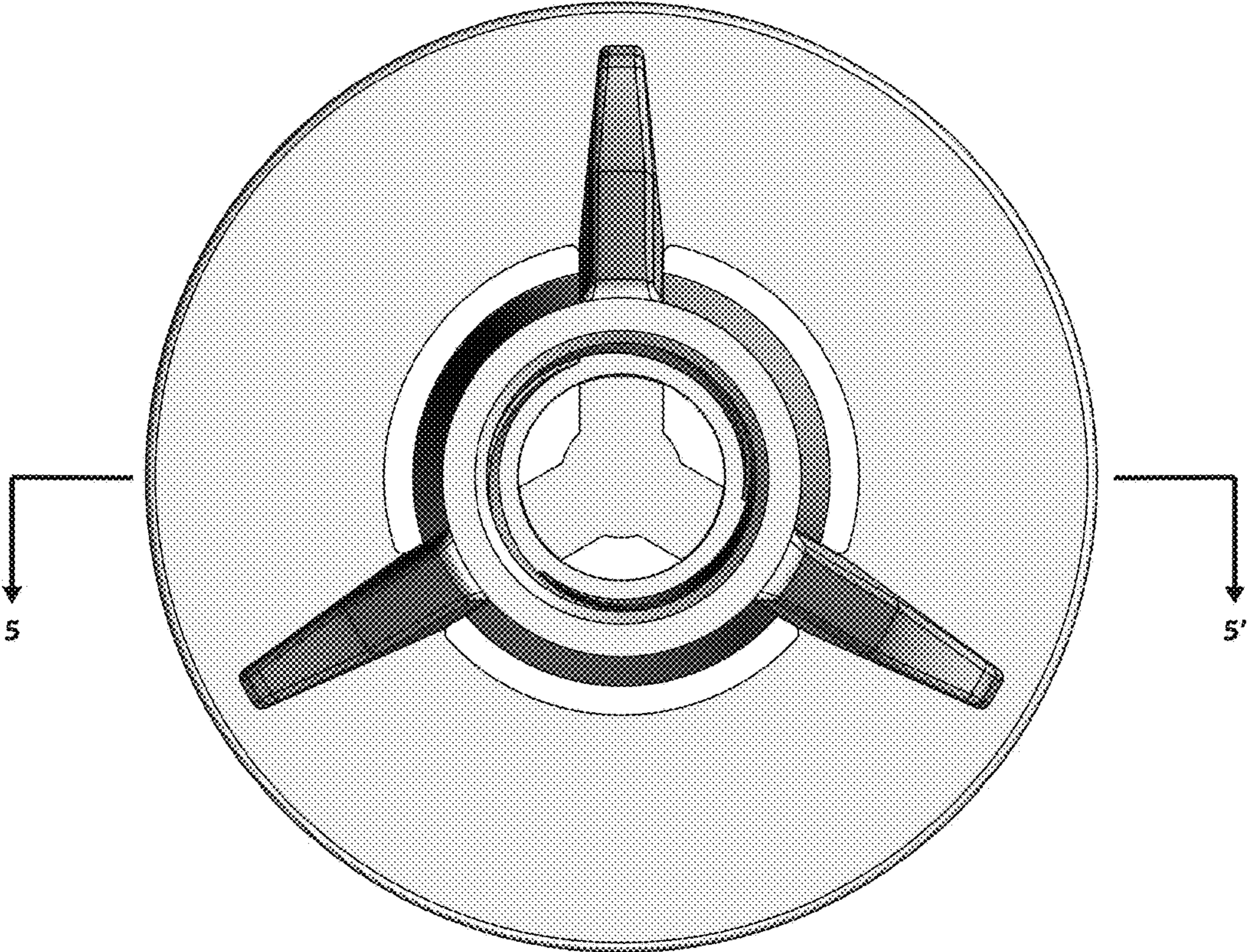


FIG. 9

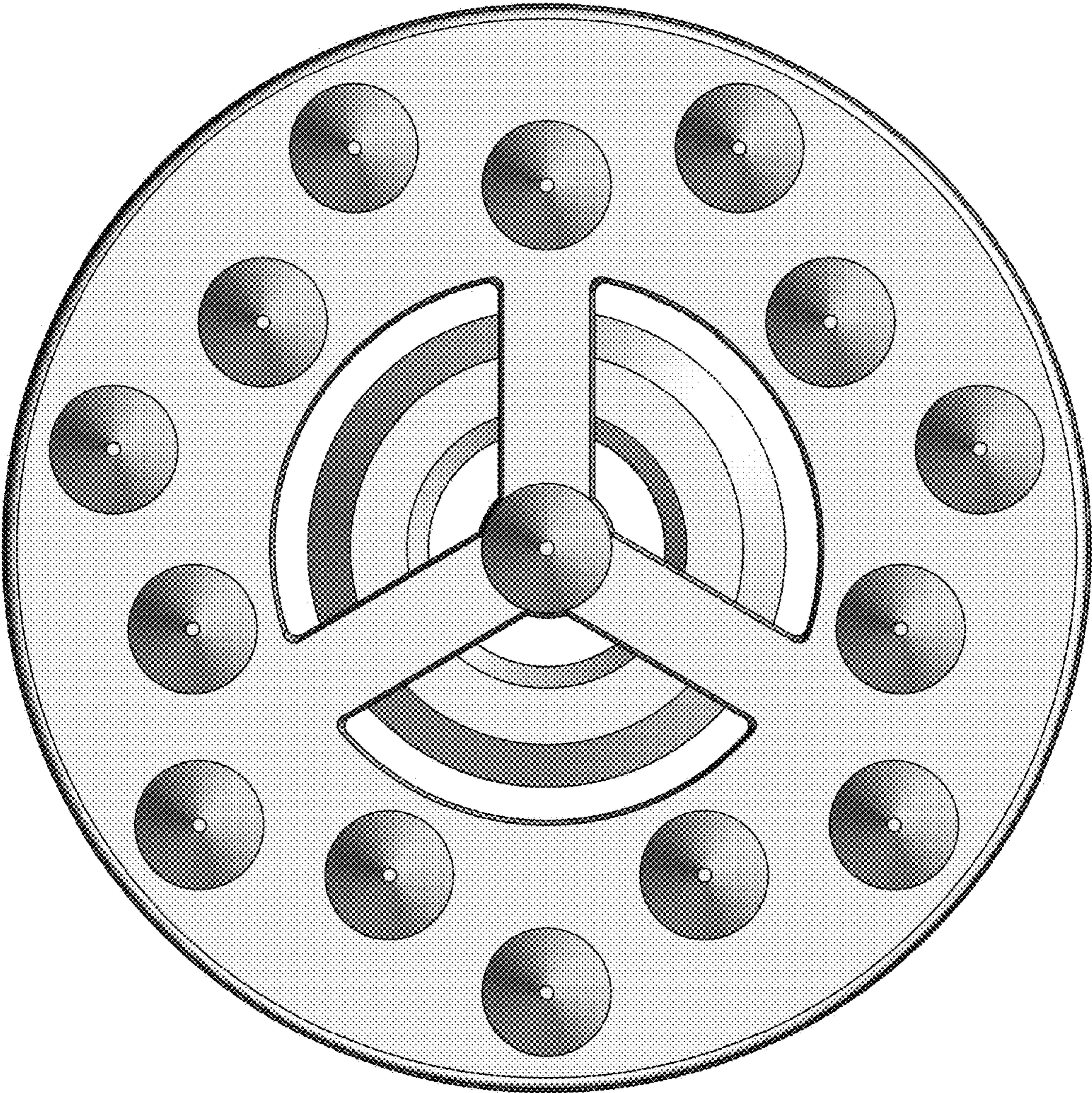


FIG. 10