



US00D833192S

(12) **United States Design Patent** (10) **Patent No.:** **US D833,192 S**
Lee (45) **Date of Patent:** **** Nov. 13, 2018**

(54) **WAGON WHEEL STAND**
(71) Applicant: **JBL INTERNATIONAL, INC,**
Houston, TX (US)
(72) Inventor: **Lawrence K. Lee,** Houston, TX (US)
(73) Assignee: **JBL INTERNATIONAL, INC,**
Houston, TX (US)
(**) Term: **15 Years**
(21) Appl. No.: **29/557,926**
(22) Filed: **Mar. 14, 2016**
(51) **LOC (11) Cl.** **06-06**
(52) **U.S. Cl.**
USPC **D6/708.1**
(58) **Field of Classification Search**
USPC D6/672, 674, 674.1, 681, 681.1, 708,
D6/708.1, 708.11, 708.13, 708.17;
D12/204, 205; D21/534, 535, 536, 563
CPC A47F 7/04; A47F 5/00; A47F 5/04; B62B
3/007; G09F 21/045
See application file for complete search history.

(56) **References Cited**
U.S. PATENT DOCUMENTS
13,872 A * 12/1855 Francis et al. B62D 33/02
296/180
D27,759 S * 10/1897 Lovett et al. D12/205
899,476 A * 9/1908 Welch et al. B60B 1/00
29/894.342
916,009 A * 3/1909 Plummer et al. B60B 25/02
301/31
1,090,743 A * 3/1914 Morat et al. B60B 1/08
301/65
1,520,777 A * 12/1924 Stickney B60B 11/10
301/40.3
D68,718 S * 11/1925 Keller et al. D6/674

2,037,871 A * 4/1936 Zander B60B 9/00
152/251
3,103,899 A * 9/1963 Macken A47B 13/023
108/139
D225,702 S * 1/1973 Welker et al. D6/686
D243,169 S * 1/1977 Suzuki D12/205
D244,272 S * 5/1977 Raudman, Jr. D12/205
D248,268 S * 6/1978 Fields D6/707.1
D248,390 S * 7/1978 Lester D12/205
D260,464 S * 9/1981 Alexander D6/692.3
4,289,246 A * 9/1981 Scott A47F 5/04
211/131.1
D285,506 S * 9/1986 Mens D21/535
D286,107 S * 10/1986 Mens D21/536
D290,946 S * 7/1987 Bruder D12/205
D294,053 S * 2/1988 Jewett D21/536

(Continued)

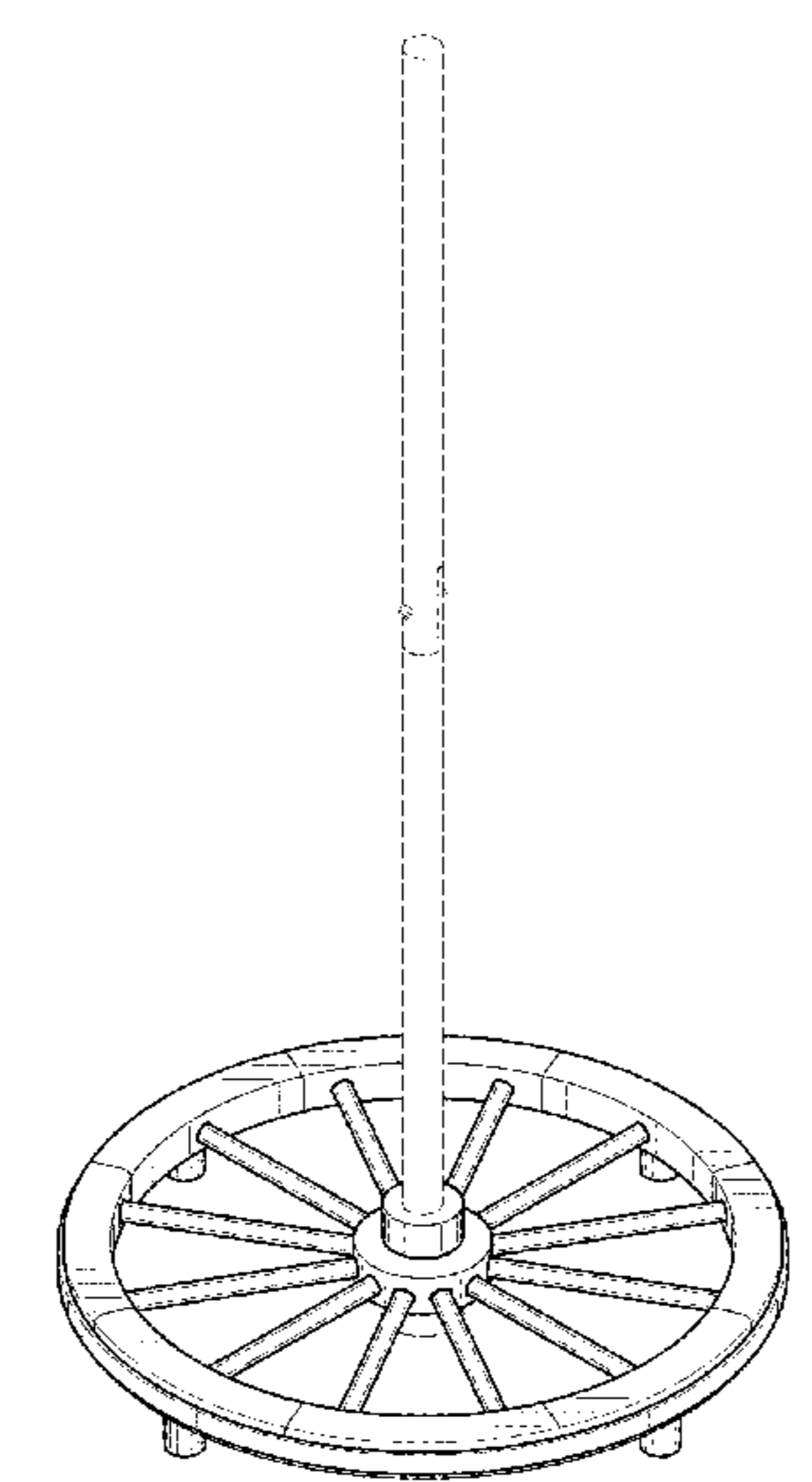
Primary Examiner — John Windmuller
Assistant Examiner — Steven J Czyz
(74) *Attorney, Agent, or Firm* — Egbert Law Offices,
PLLC

(57) **CLAIM**
The ornamental design for a wagon wheel stand, as shown
and described.

DESCRIPTION

FIG. 1 is a perspective view of a wagon wheel stand showing
my new design.
FIG. 2 is a front view thereof;
FIG. 3 is a rear view thereof;
FIG. 4 is a side view thereof;
FIG. 5 is an opposite side view thereof;
FIG. 6 is a top view thereof;
FIG. 7 is a bottom view thereof; and,
FIG. 8 is a perspective view of the wagon wheel stand shown
displaying articles.
The features presented in broken lines represent unclaimed
portions of the wagon wheel stand and wagon wheels
positioned thereon and form no part of the claimed design.

1 Claim, 4 Drawing Sheets



(56)

References Cited

U.S. PATENT DOCUMENTS

4,794,727 A * 1/1989 Smith A01G 9/16
47/17
D310,797 S * 9/1990 Smrt D12/17
D329,993 S * 10/1992 Spicer D11/149
5,848,710 A * 12/1998 Pomper A47F 5/04
211/85.2
D480,436 S * 10/2003 Hong D21/423
D612,170 S * 3/2010 Hilder D6/688
D619,200 S * 7/2010 Yousif D23/200
D635,053 S * 3/2011 Lee D11/157
D677,939 S * 3/2013 Correa D6/680.3
2002/0158493 A1 * 10/2002 Reynolds A47C 3/0255
297/181
2004/0020090 A1 * 2/2004 Lueddecke G09F 21/045
40/610

* cited by examiner

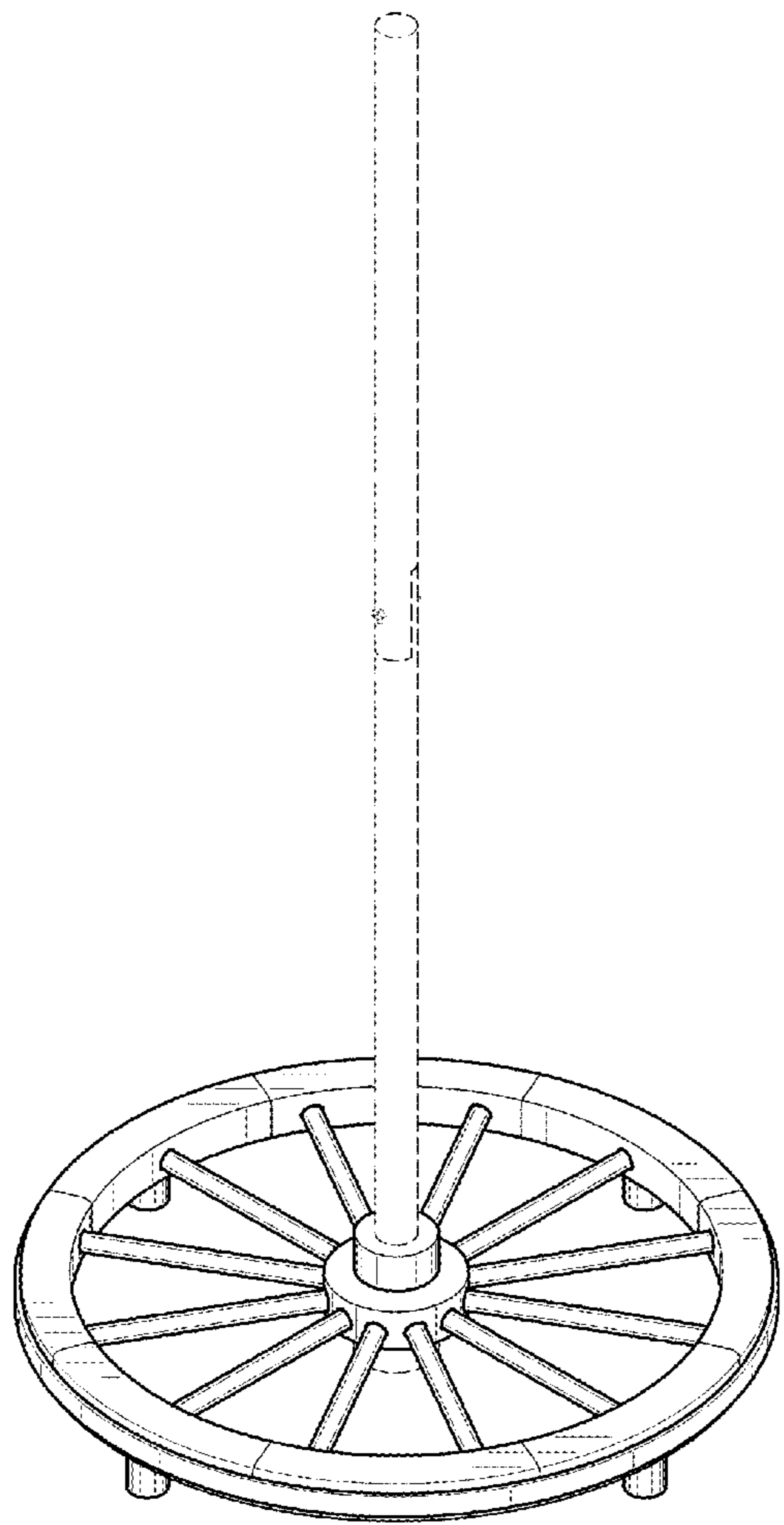


FIG. 1

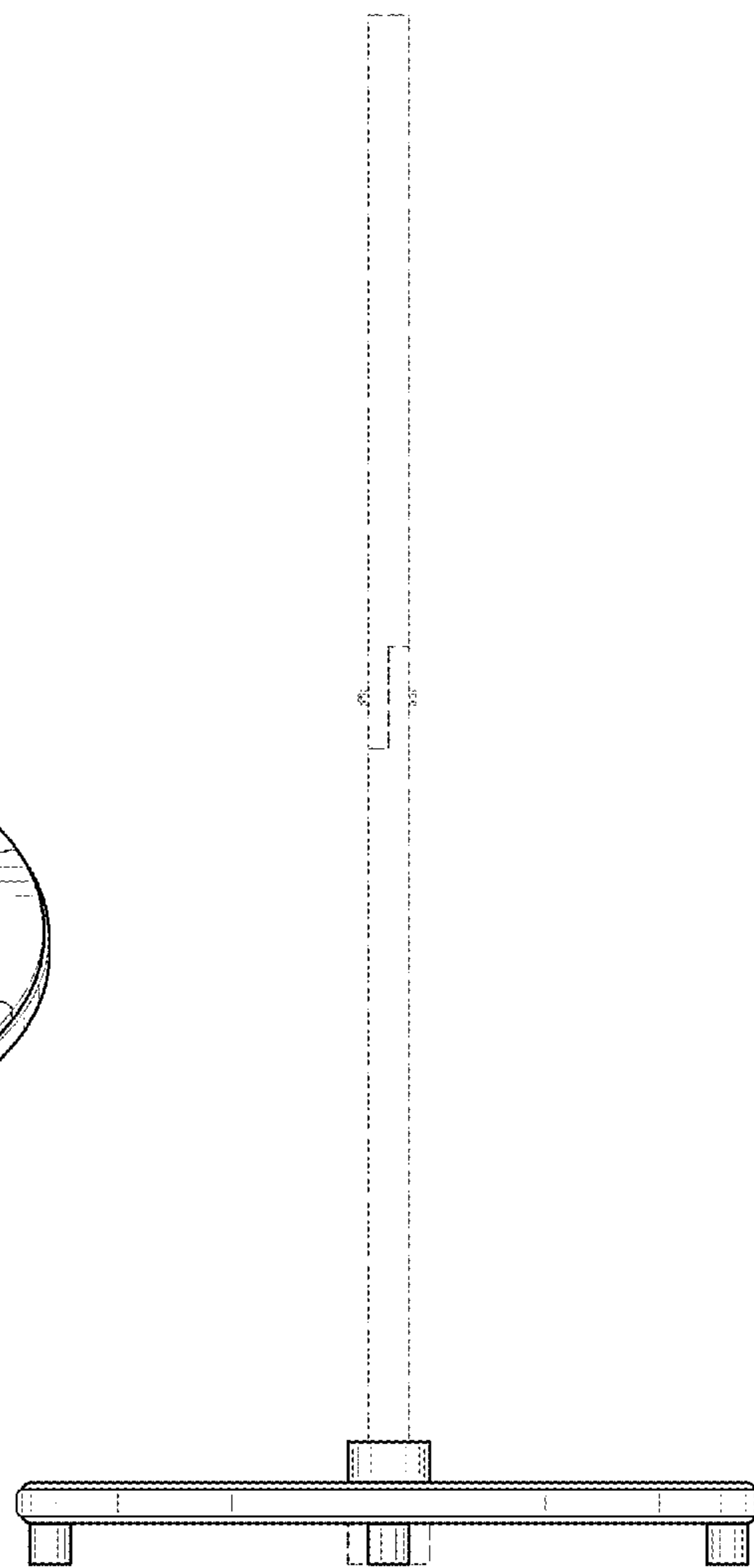


FIG. 2

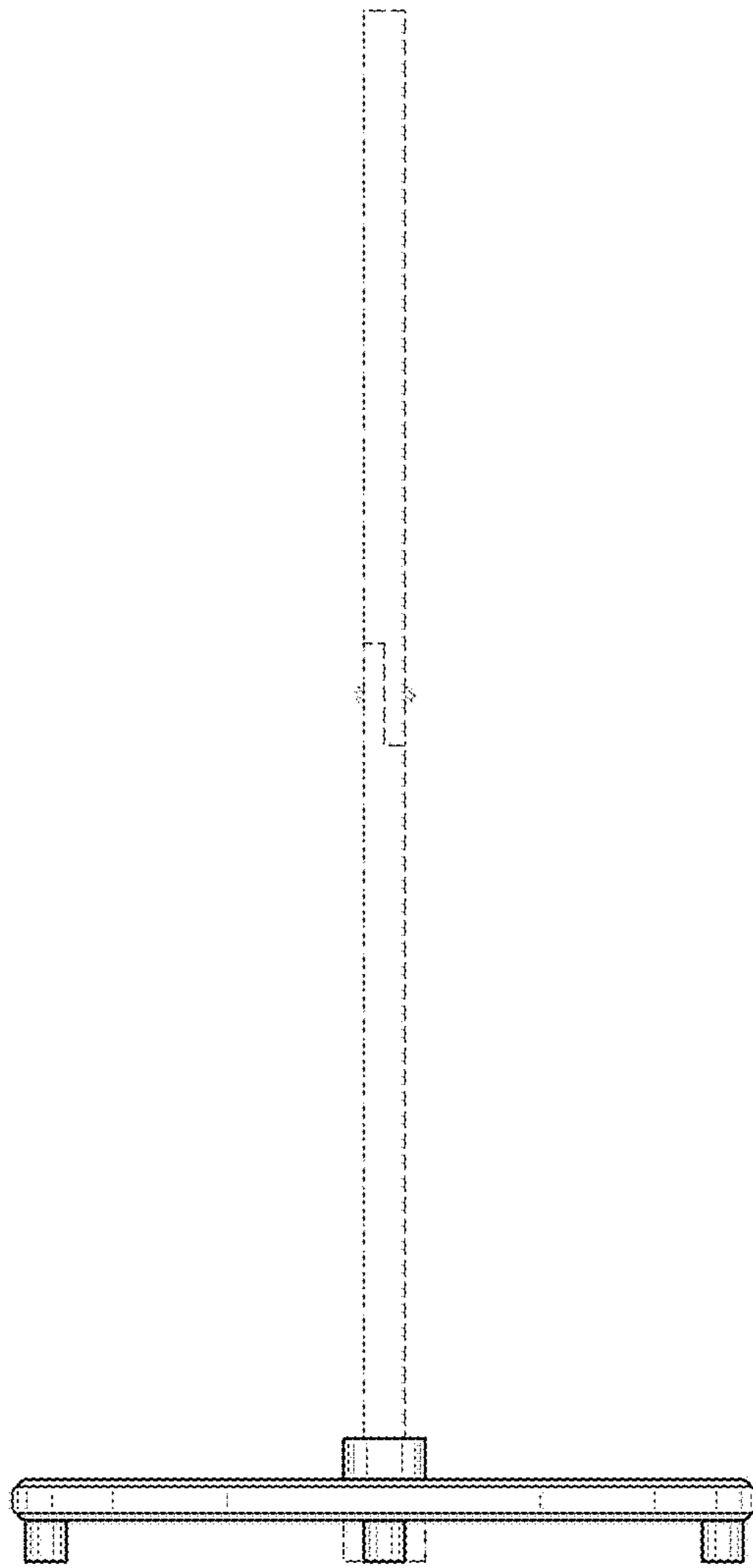


FIG. 3

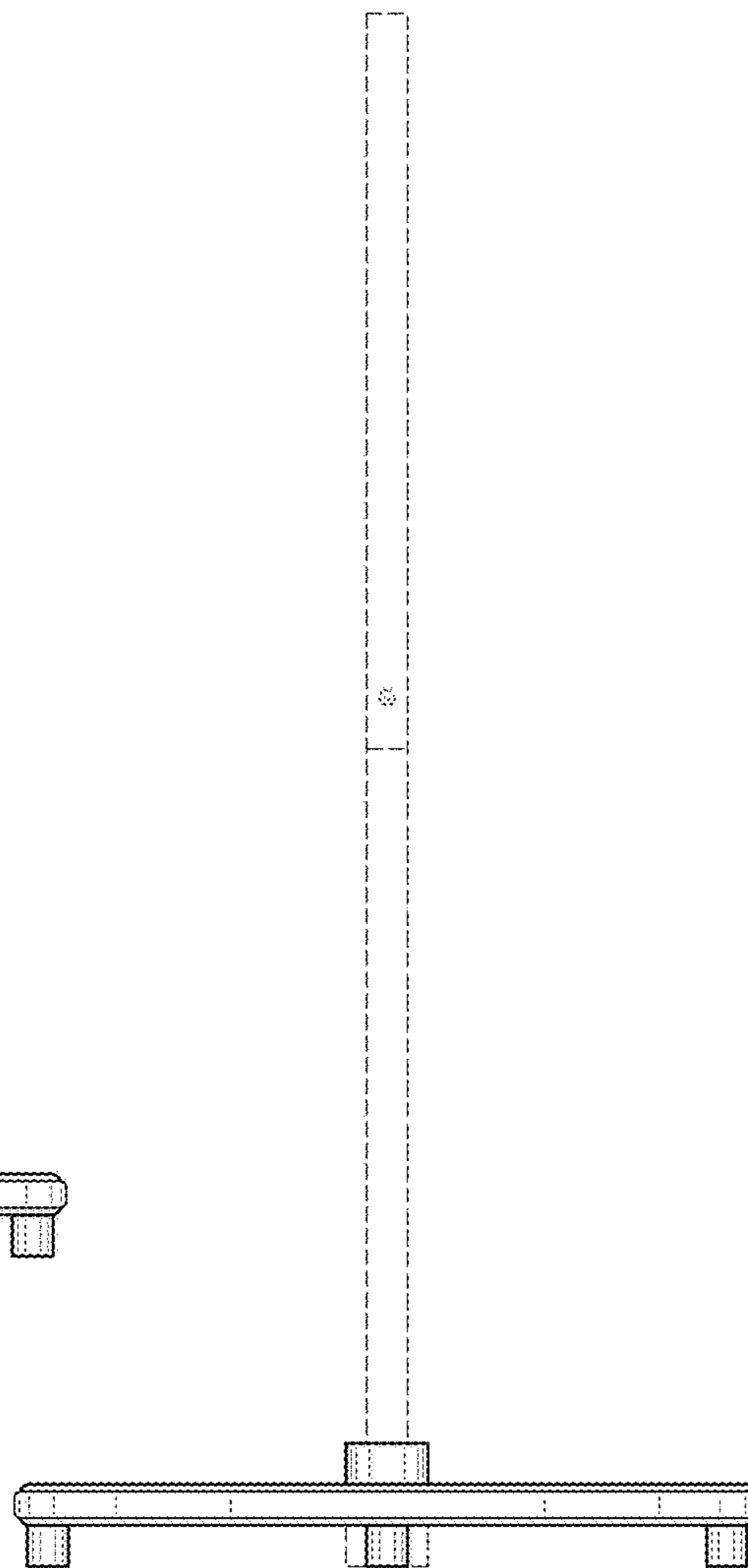


FIG. 4

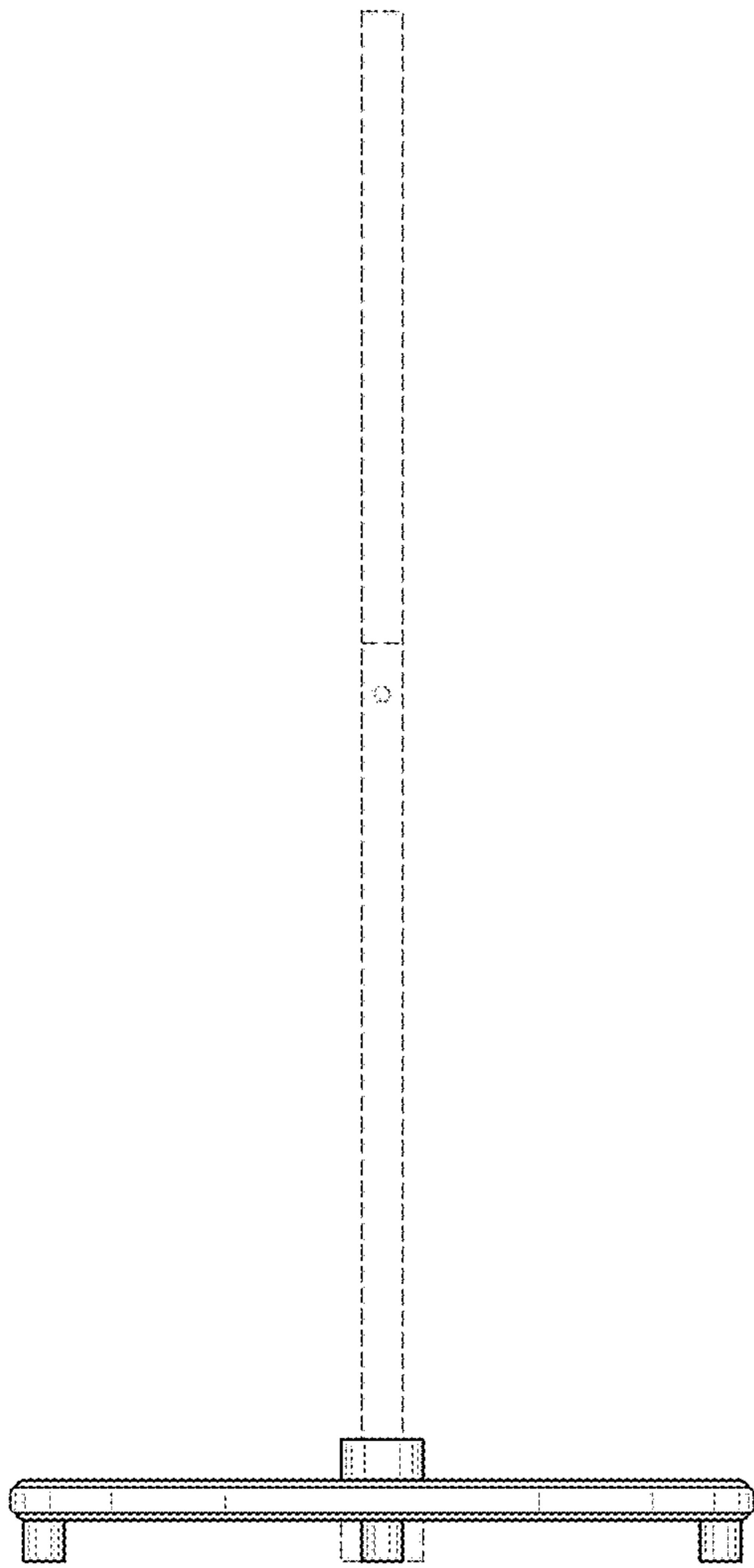


FIG. 5

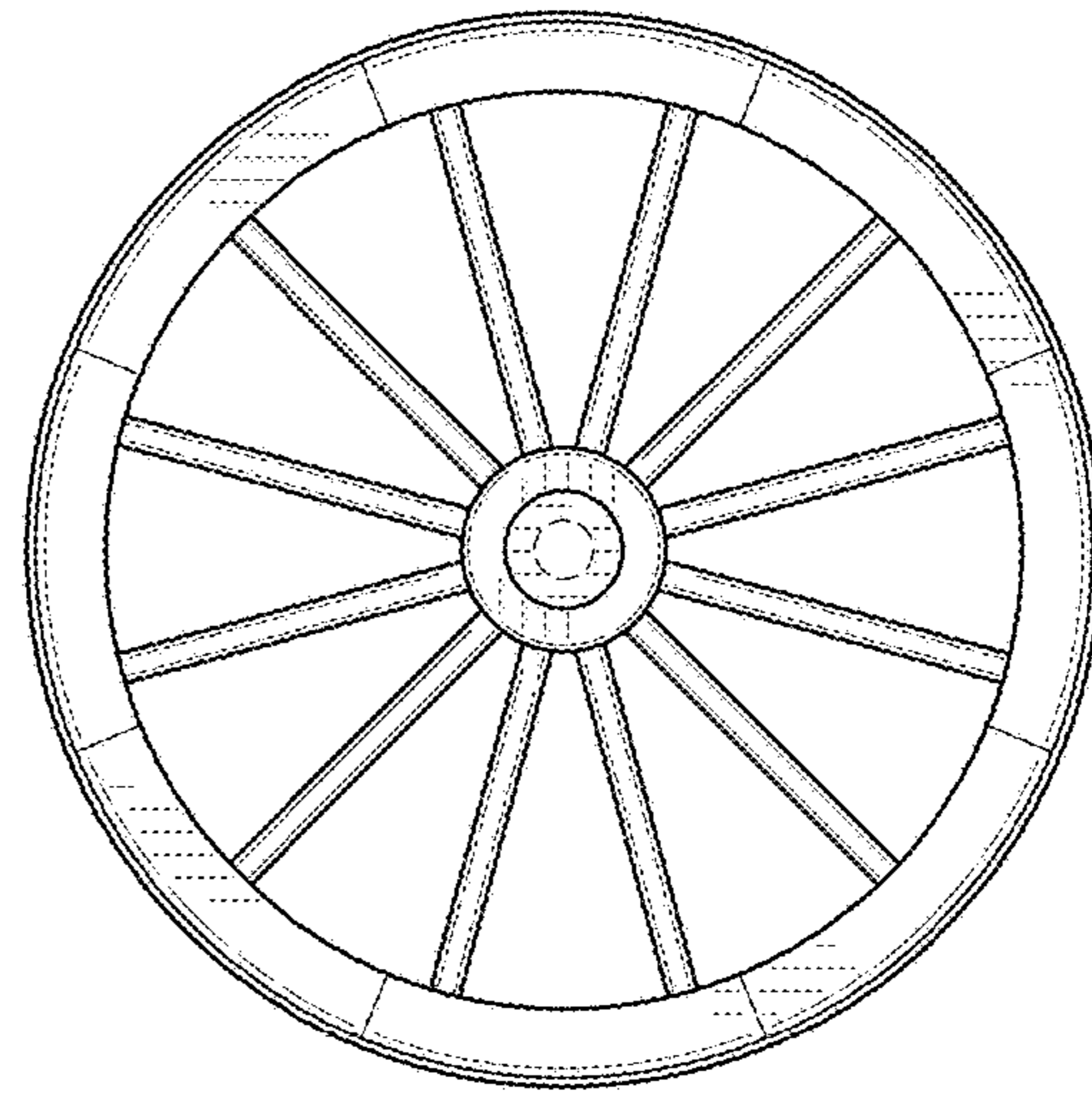


FIG. 6

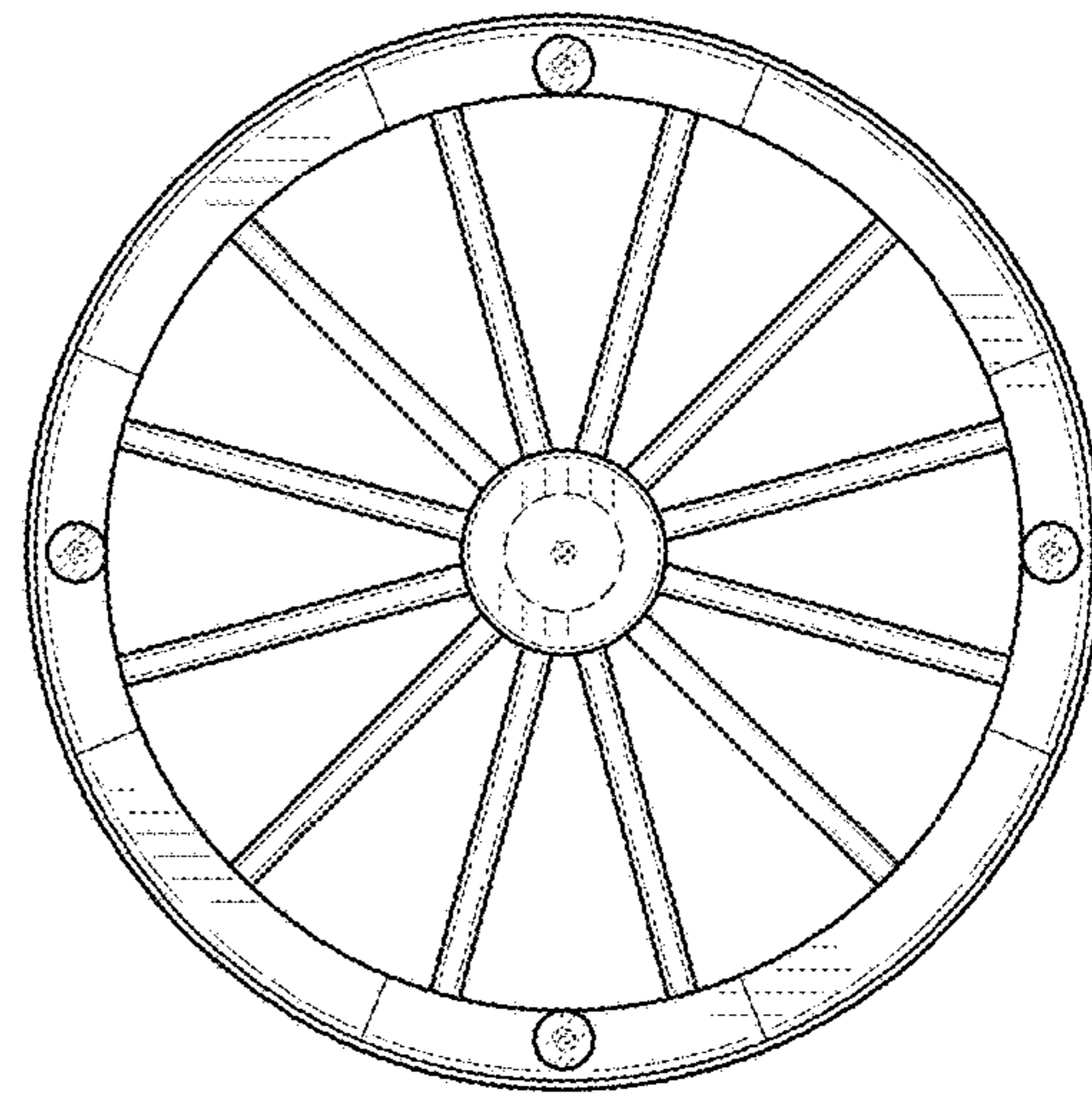


FIG. 7

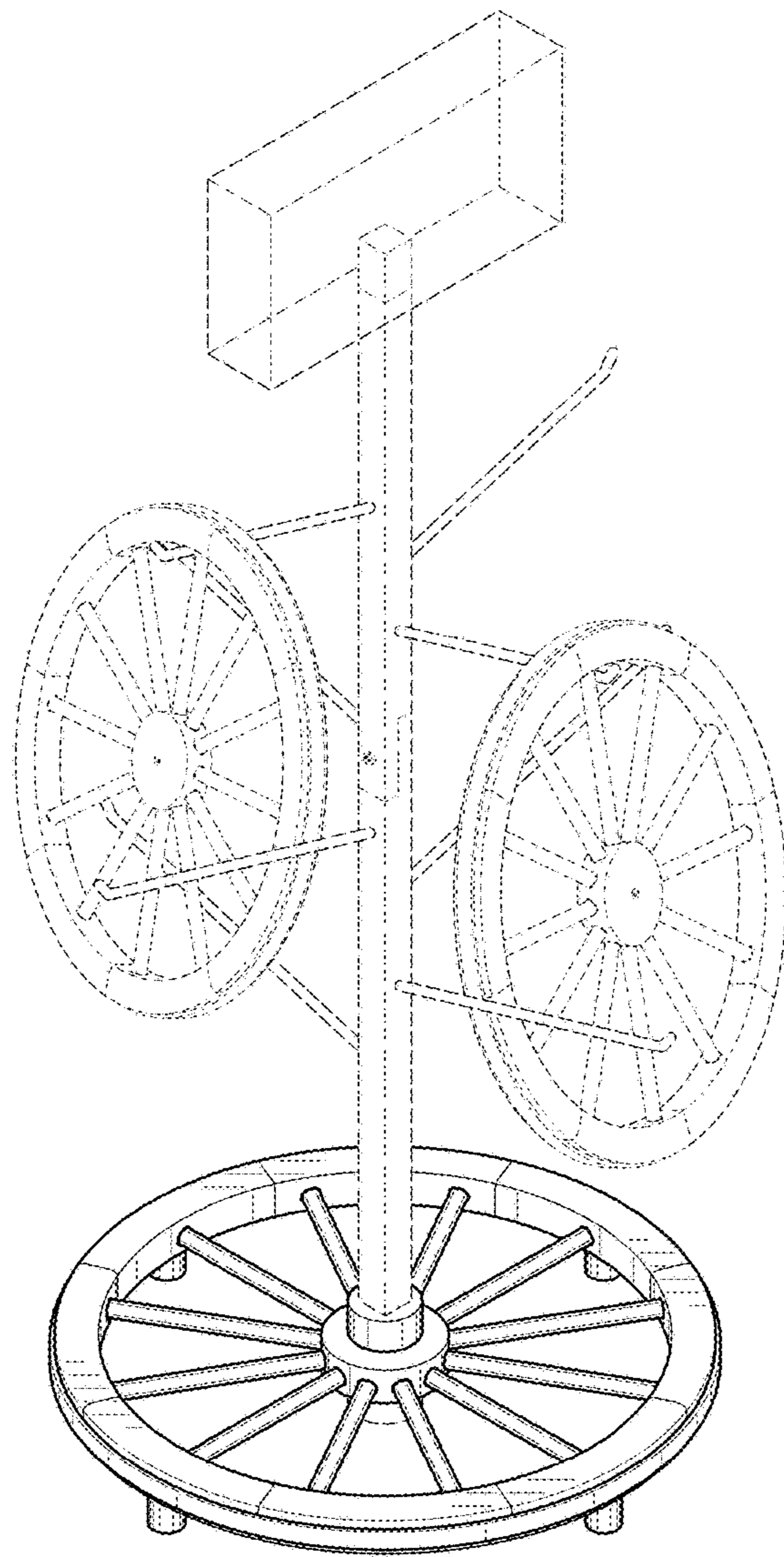


FIG. 8