



US00D833191S

(12) **United States Design Patent** (10) **Patent No.:** **US D833,191 S**
Handler et al. (45) **Date of Patent:** **** Nov. 13, 2018**

(54) **TABLE**

- (71) Applicant: **Art Design Works LLC**, Lexington, MA (US)
- (72) Inventors: **Sheryl Handler**, Cambridge, MA (US); **Nadine M. Volicer**, Boston, MA (US); **Kelly Louise Casilio**, West Newton, MA (US); **Carl Martinez**, Easton, PA (US)
- (73) Assignee: **Art Design Works LLC**, Lexington, MA (US)
- (**) Term: **15 Years**
- (21) Appl. No.: **29/538,028**
- (22) Filed: **Aug. 31, 2015**
- (51) **LOC (11) Cl.** **06-01**
- (52) **U.S. Cl.**
USPC **D6/692.3**
- (58) **Field of Classification Search**
USPC D6/641, 656, 656.13, 656.15, 685, 692, D6/692.3, 692.4, 692.5, 708.16, 708.17, D6/708.2

(Continued)

(56) **References Cited**

U.S. PATENT DOCUMENTS

- D41,500 S * 6/1911 Strobel et al. D6/692.3
- D86,132 S * 2/1932 Kanter et al. D6/692.3

(Continued)

OTHER PUBLICATIONS

U.S. Appl. No. 29/538,013, filed Aug. 31, 2015, Handler et al.

Primary Examiner — John Windmuller

Assistant Examiner — Steven J Czyz

(74) *Attorney, Agent, or Firm* — Wolf, Greenfield & Sacks, P.C.

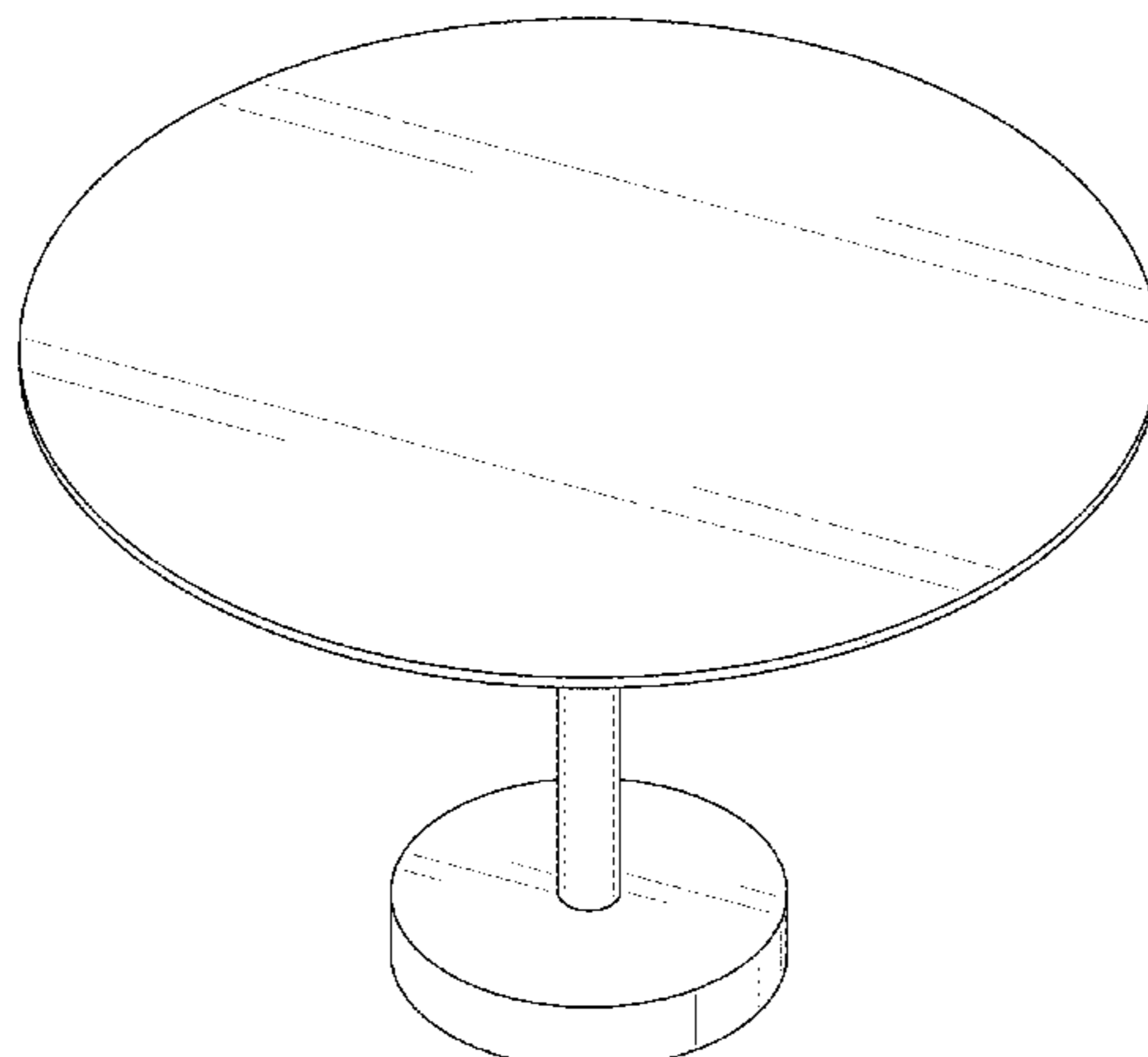
(57) **CLAIM**

The ornamental design for a table, as shown and described.

DESCRIPTION

FIG. 1 is a top, front, right side perspective view of a table showing a first embodiment of our new design;
 FIG. 2 is a bottom, front, right side perspective view thereof;
 FIG. 3 is a left side elevational view thereof, the right side elevational view being identical;
 FIG. 4 is a front elevational view thereof, the rear elevational view being identical;
 FIG. 5 is a top plan view thereof;
 FIG. 6 is a bottom plan view thereof;
 FIG. 7 is a top, front, right side perspective view of a second embodiment thereof;
 FIG. 8 is a bottom, front, right side perspective view of FIG. 7;
 FIG. 9 is a left side elevational view of FIG. 7, the right side elevational view being identical;
 FIG. 10 is a front elevational view of FIG. 7, the rear elevational view being identical;
 FIG. 11 is a top plan view of FIG. 7;
 FIG. 12 is a bottom plan view of FIG. 7;
 FIG. 13 is a top, front, right side perspective view of a third embodiment thereof;
 FIG. 14 is a bottom, front, right side perspective view of FIG. 13;
 FIG. 15 is a left side elevational view of FIG. 13, the right side elevational view being identical;
 FIG. 16 is a front elevational view of FIG. 13, the rear elevational view being identical;
 FIG. 17 is a top plan view of FIG. 13;
 FIG. 18 is a bottom plan view of FIG. 13;
 FIG. 19 is a top, front, right side perspective view of a fourth embodiment thereof;
 FIG. 20 is a bottom, front, right side perspective view of FIG. 19;
 FIG. 21 is a left side elevational view of FIG. 19, the right side elevational view being identical;
 FIG. 22 is a front elevational view of FIG. 19, the rear elevational view being identical;
 FIG. 23 is a top plan view of FIG. 19; and,
 FIG. 24 is a bottom plan view of FIG. 19.

(Continued)



The dash-dot-dash broken lines of the figures represent boundaries of the table and form no part of the claimed design.

1 Claim, 24 Drawing Sheets

(58) Field of Classification Search

CPC ... A47B 9/20; A47B 13/003; A47B 2013/006;
 A47B 7/00; A47B 13/00; A47B 13/02;
 A47B 13/04; A47B 9/00; A47B 13/023
 See application file for complete search history.

(56) References Cited

U.S. PATENT DOCUMENTS

D93,968	S	*	12/1934	Brower et al.	D6/692.3
D99,666	S	*	5/1936	Schwartz et al.	D6/686
D222,589	S	*	11/1971	Leaver et al.	D6/692.3
D236,301	S	*	8/1975	Mudde et al.	D6/692.3
D237,564	S	*	11/1975	Laylon et al.	D6/692.3
D280,580	S	*	9/1985	Appel	D6/692.1
D296,399	S	*	6/1988	Epp	D6/692.3
D333,055	S	*	2/1993	Kaye	D6/360
5,363,772	A	*	11/1994	Adamidis	A47B 9/00 108/66
D357,605	S	*	4/1995	Kellen	D6/690
5,425,313	A	*	6/1995	Rowan	A47B 1/00 108/140

5,577,344	A	*	11/1996	Zaremba	A47G 7/041 108/150
D431,132	S	*	9/2000	Lewis	D6/692.3
D442,073	S	*	5/2001	Lyndon	D6/323
D459,113	S	*	6/2002	Field	D6/688.27
D463,691	S	*	10/2002	Porter	D6/708.2
6,484,649	B1	*	11/2002	Wang	A47B 13/023 108/150
D473,595	S	*	4/2003	Fisher	20/22
D496,181	S	*	9/2004	Maness	D6/692.3
D548,499	S	*	8/2007	Quintal	D6/708.2
D549,012	S	*	8/2007	Edison	D6/692.3
D557,523	S	*	12/2007	Tadlock	D6/692.3
D561,497	S	*	2/2008	Alter Molina	D6/692.3
D572,416	S	*	7/2008	Dye, Jr.	D30/123
D608,120	S	*	1/2010	Smith	D6/692.3
D625,528	S	*	10/2010	Sprague	D6/681
D650,613	S	*	12/2011	Starck	D6/692.3
D671,772	S	*	12/2012	Lee	D6/692.3
D718,558	S	*	12/2014	Chipman	D6/692.3
D721,526	S	*	1/2015	Bosman	D6/692.3
D764,196	S	*	8/2016	Handler	D6/352
D769,036	S	*	10/2016	Manea	D6/692.3
D779,706	S	*	2/2017	Starck	D26/93
D782,856	S	*	4/2017	Broen	D6/692.3
2007/0283853	A1	*	12/2007	Sun	A47B 11/00 108/20
2015/0223597	A1	*	8/2015	Albanese	A47B 1/00 108/90
2015/0295447	A1	*	10/2015	Nitz	A47B 21/06 320/103
2016/0242537	A1	*	8/2016	Hernandez	A47B 13/16

* cited by examiner

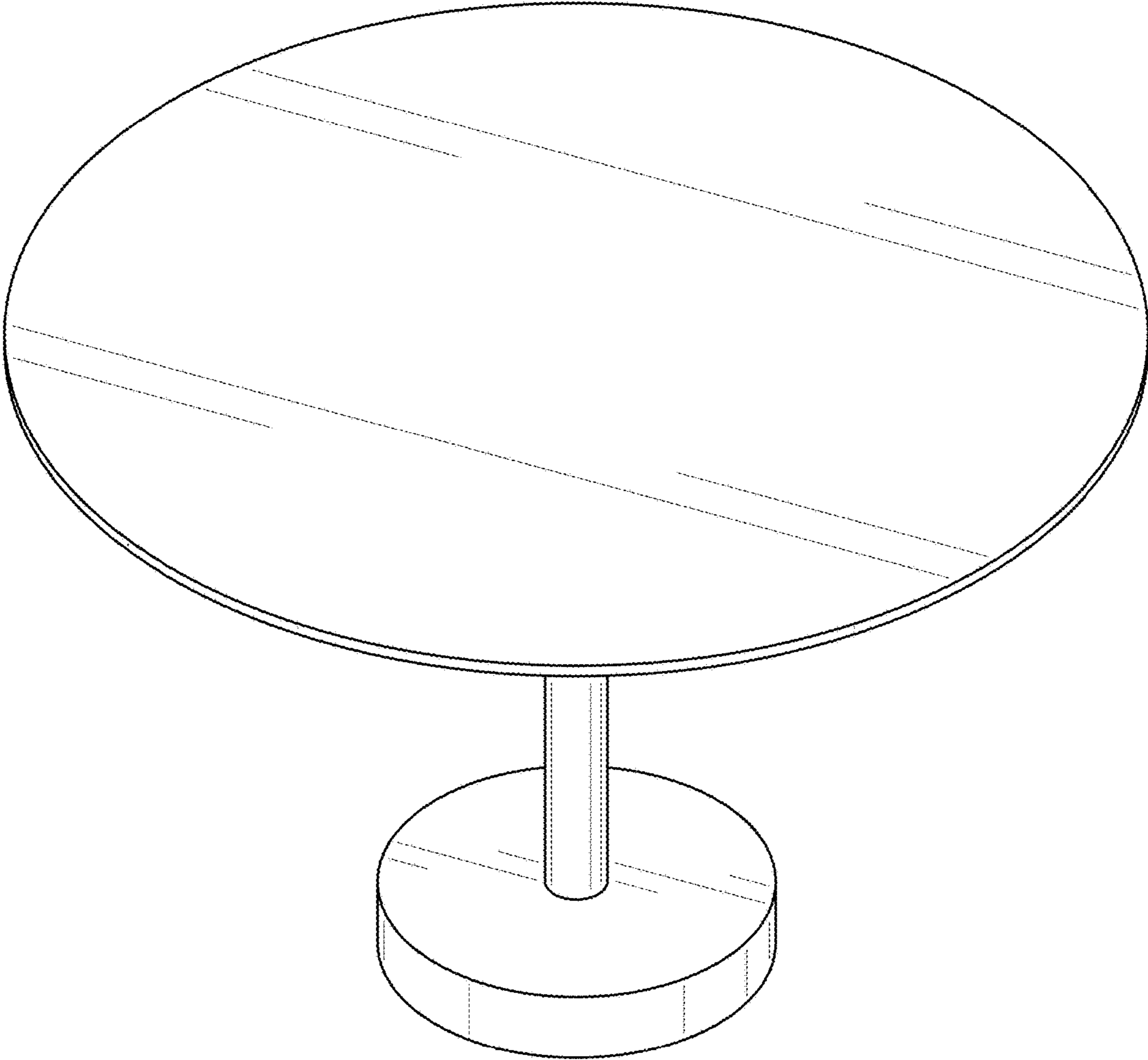


FIG. 1

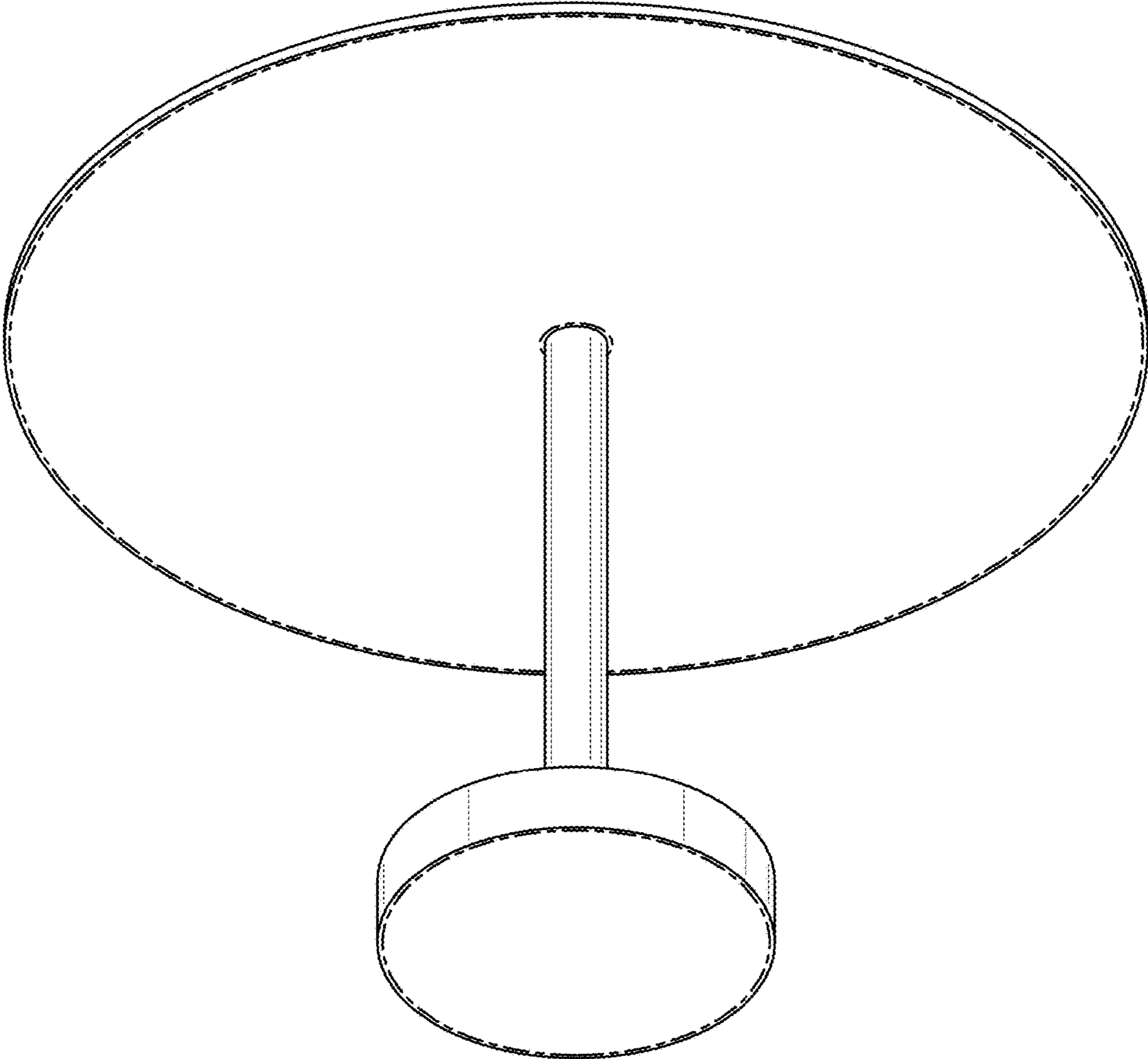


FIG. 2

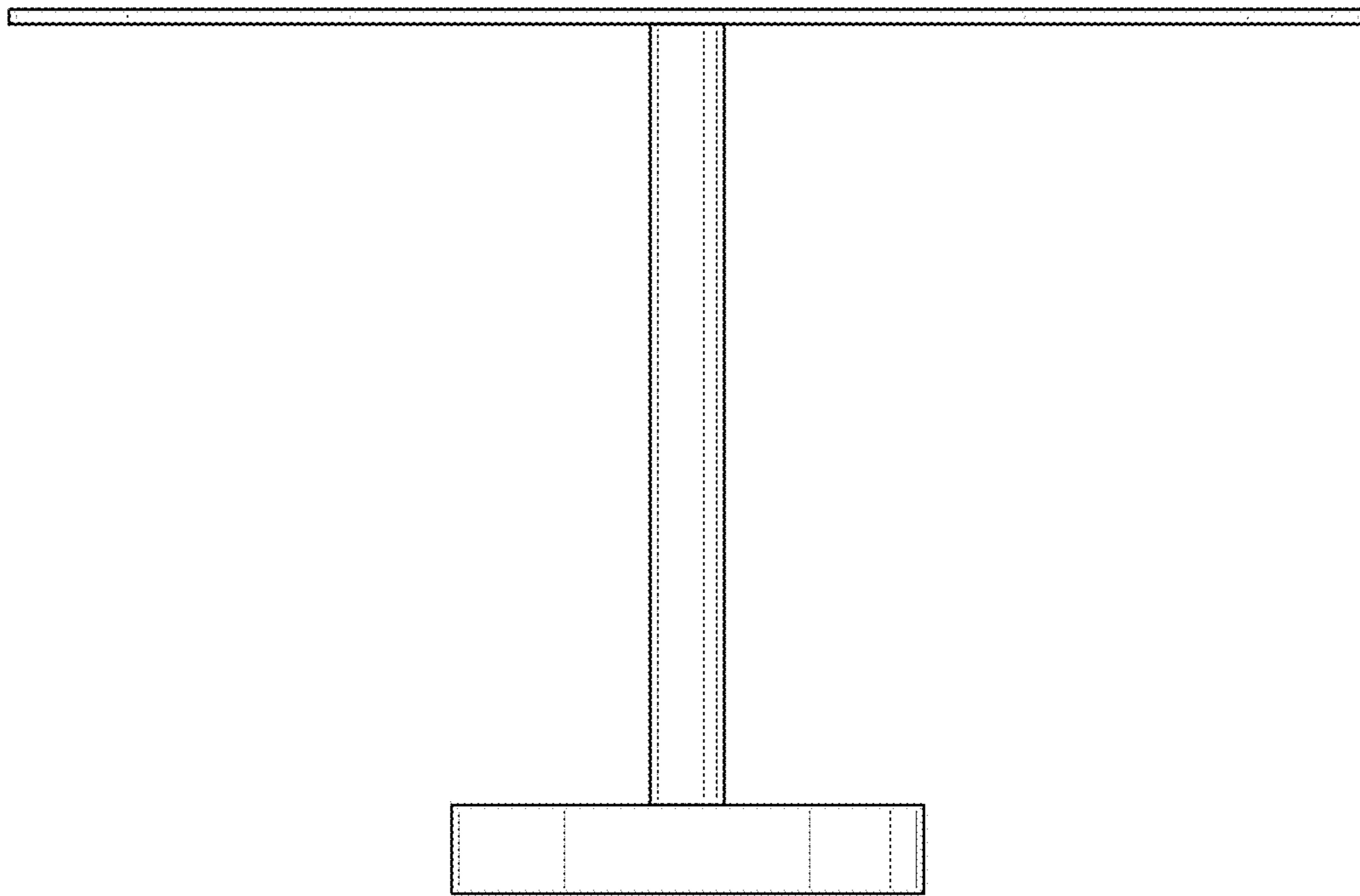


FIG. 3

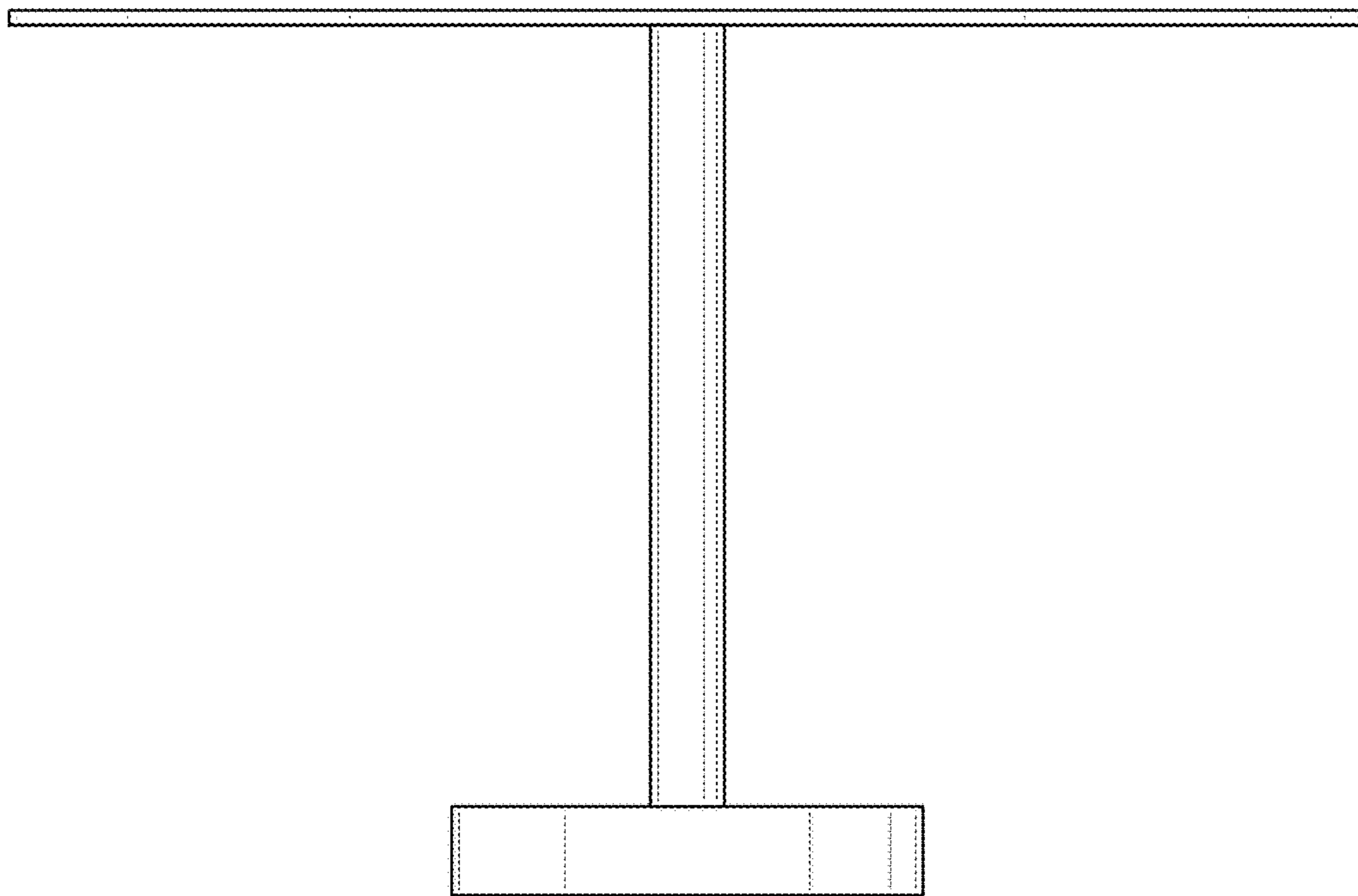


FIG. 4

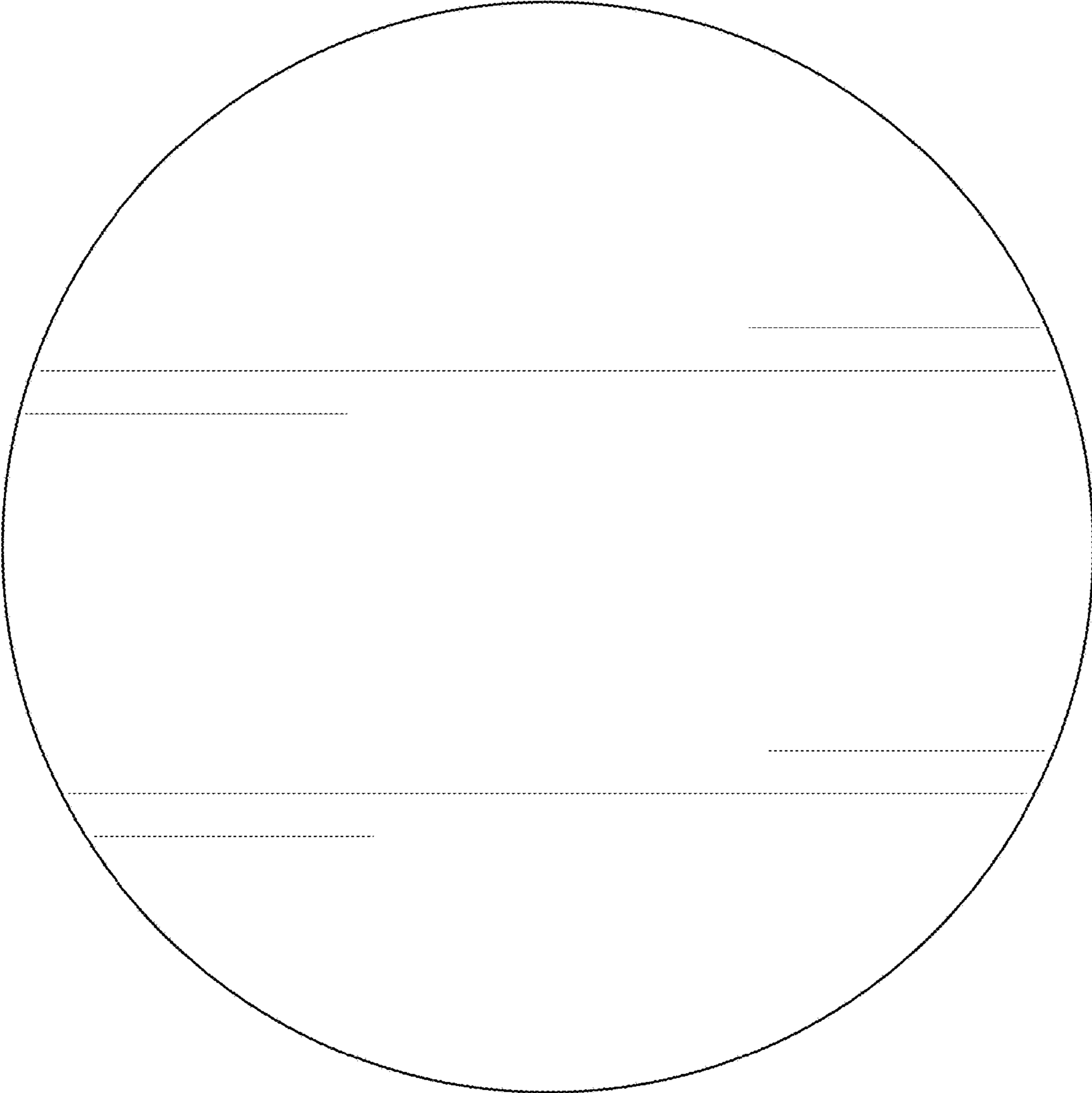


FIG. 5

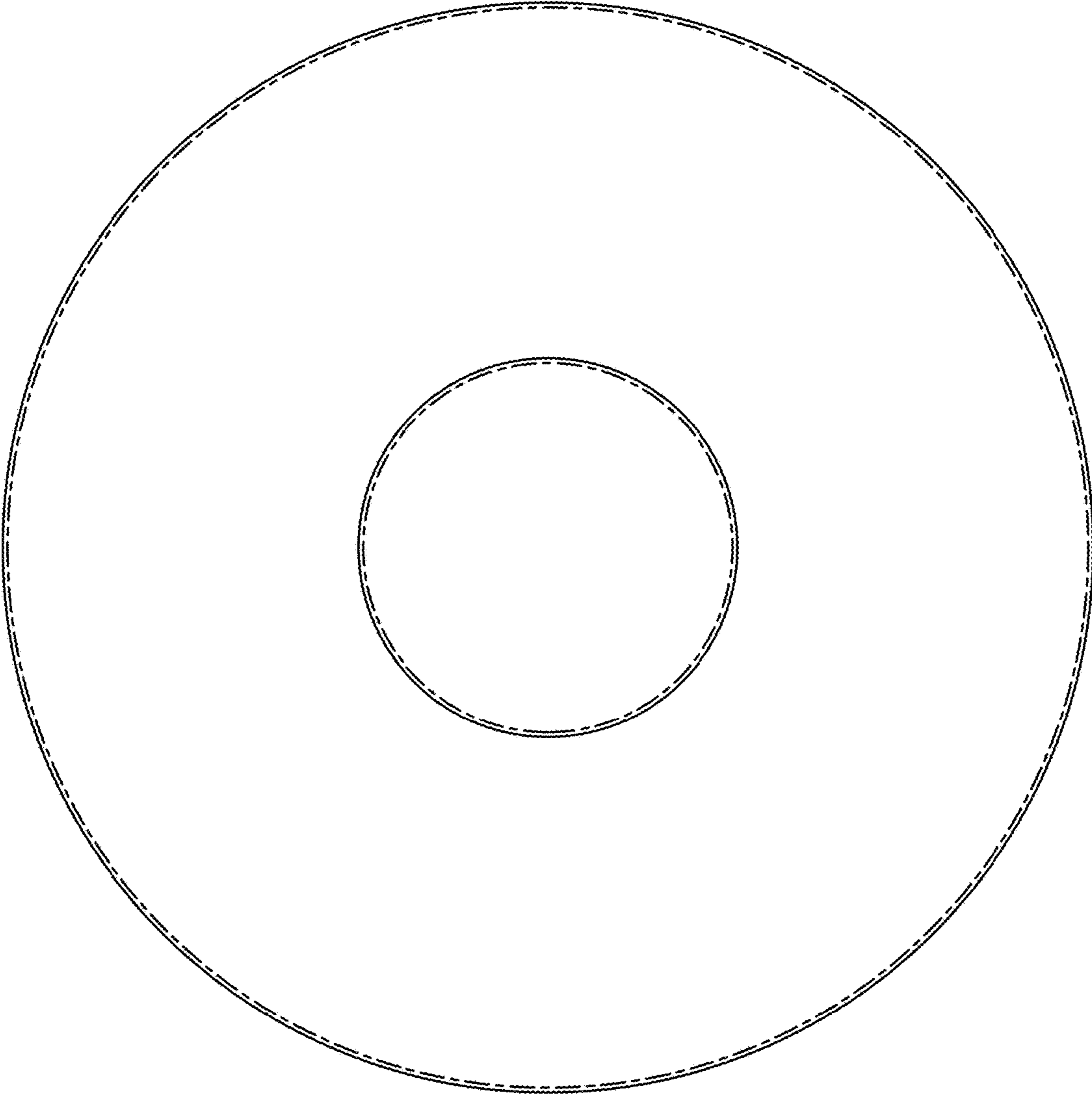


FIG. 6

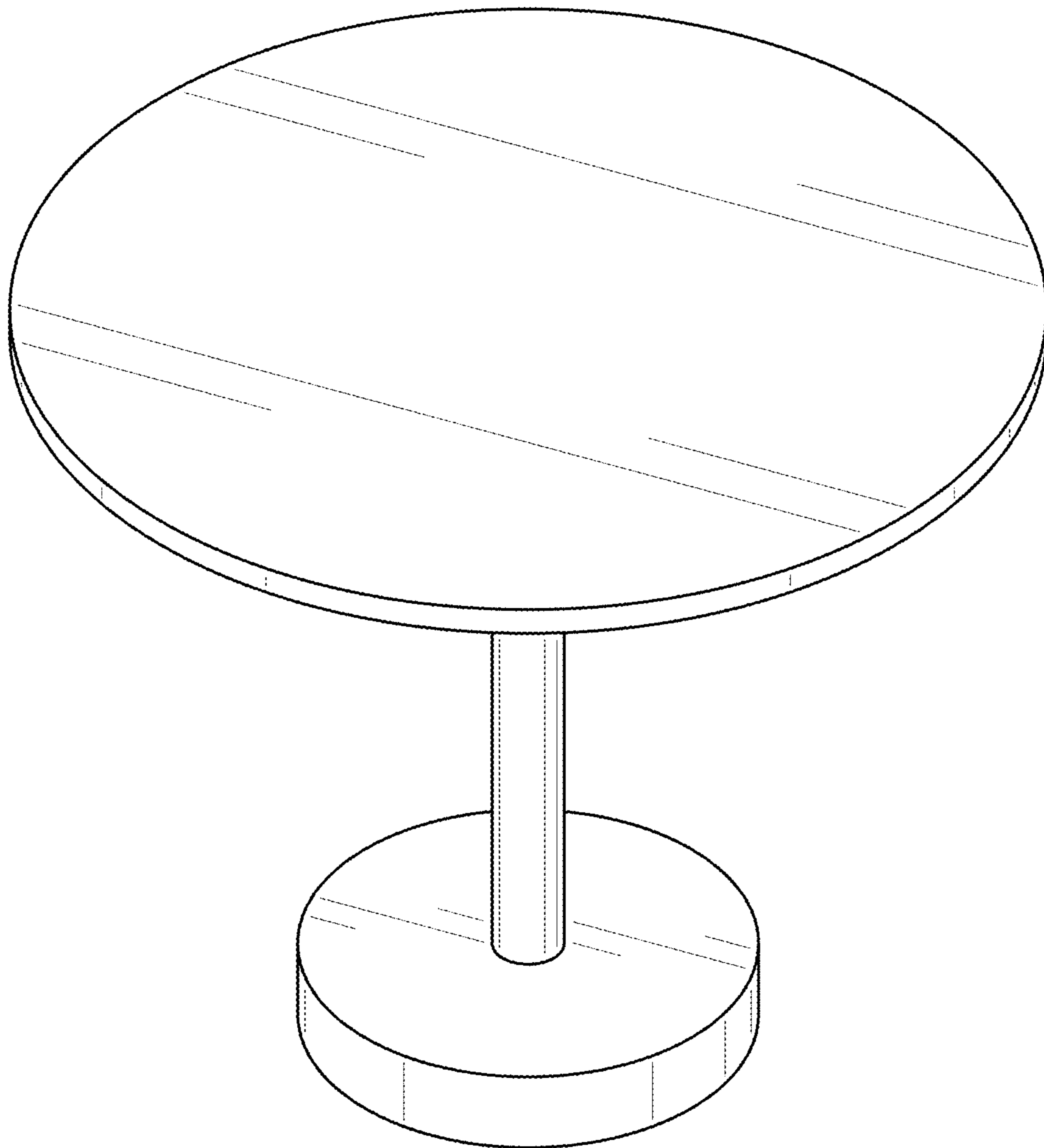


FIG. 7

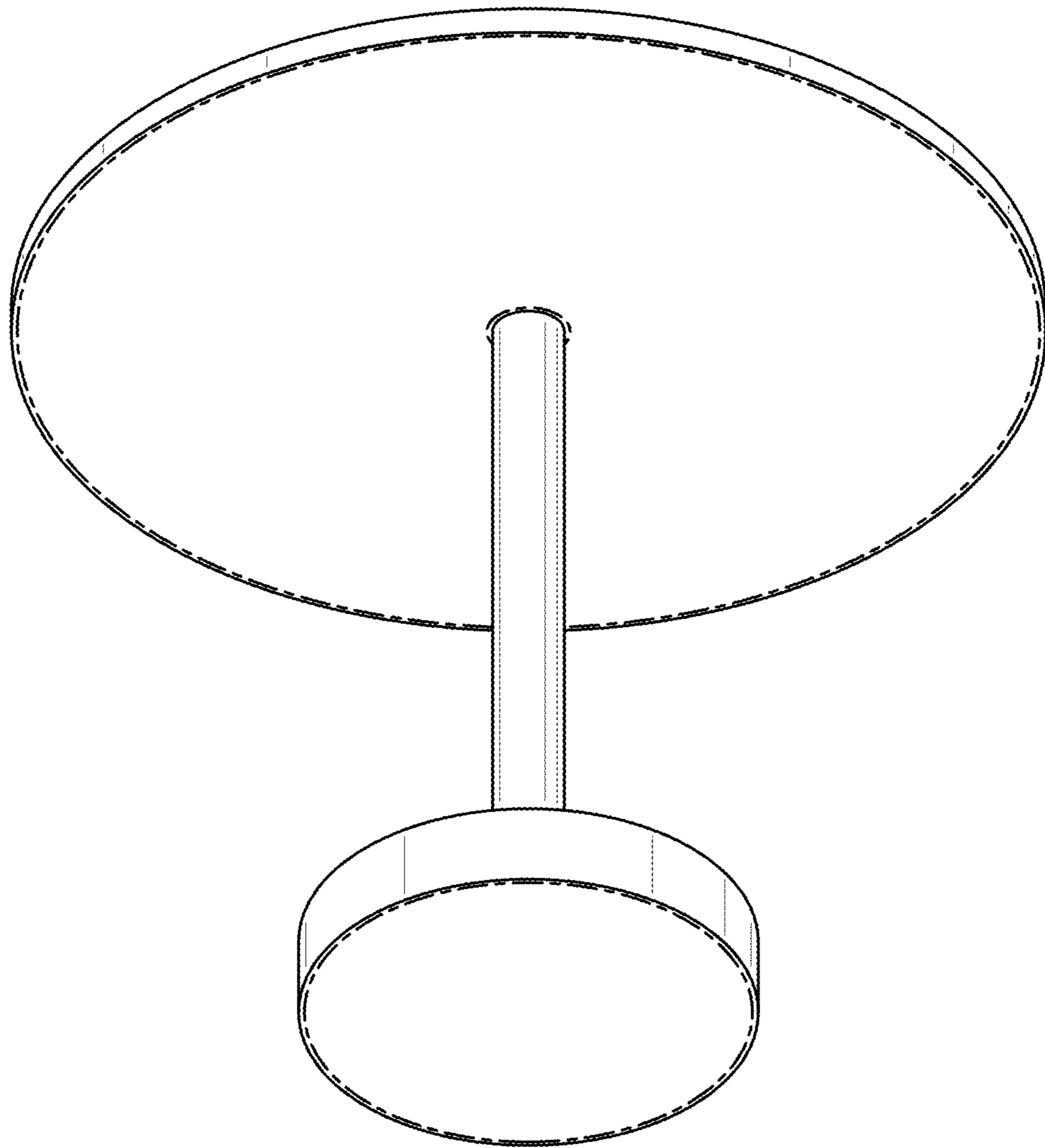


FIG. 8

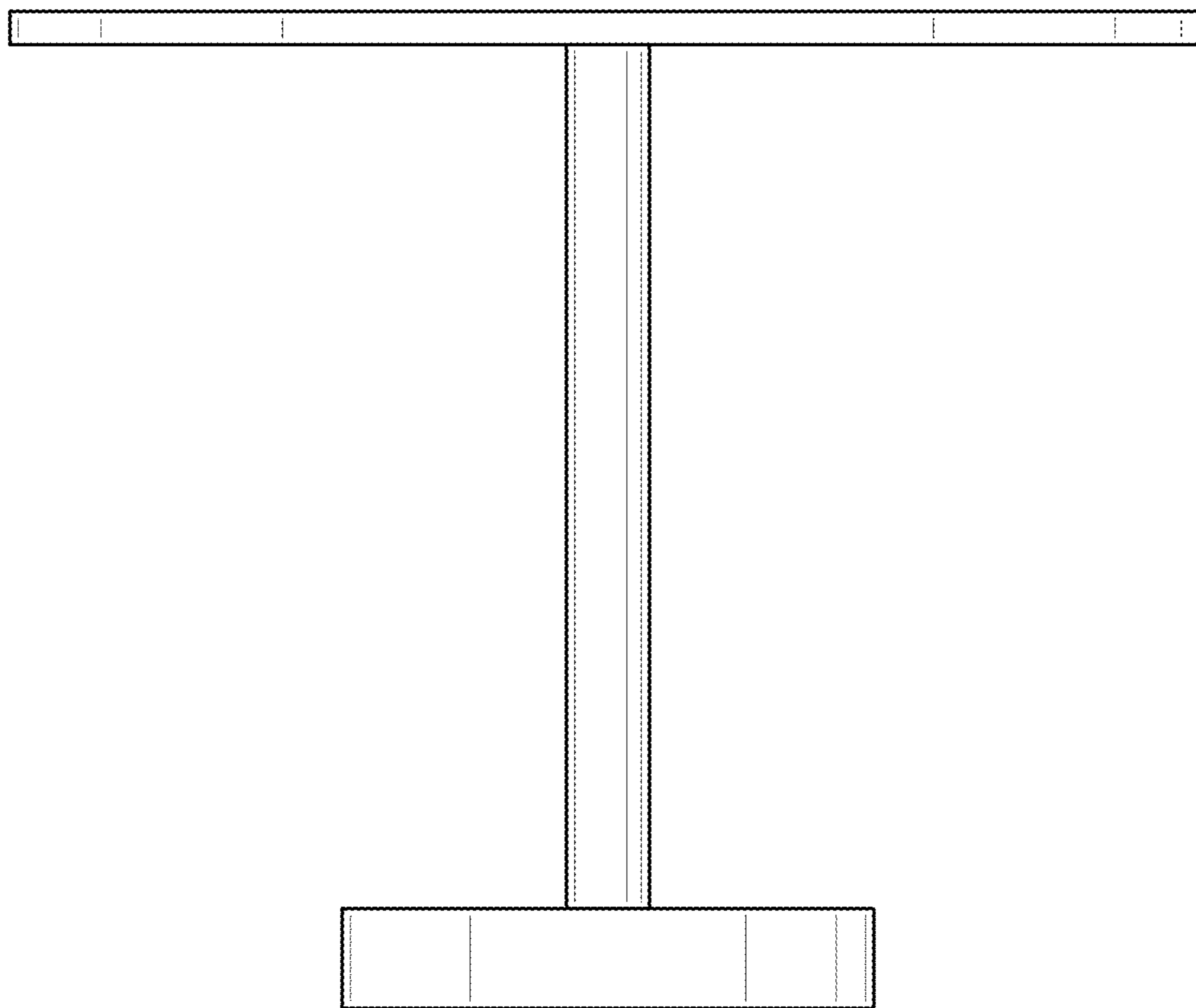


FIG. 9

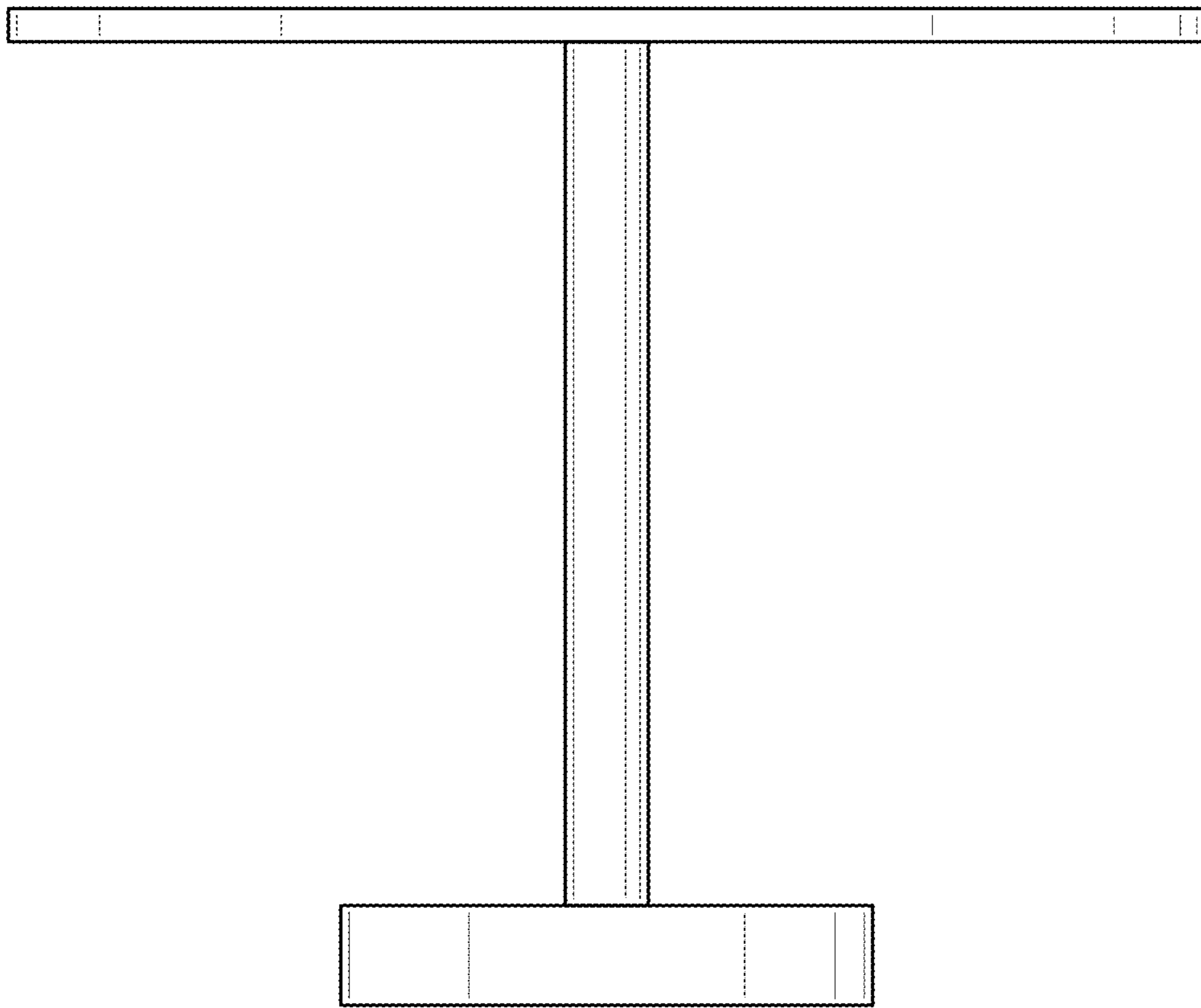


FIG. 10

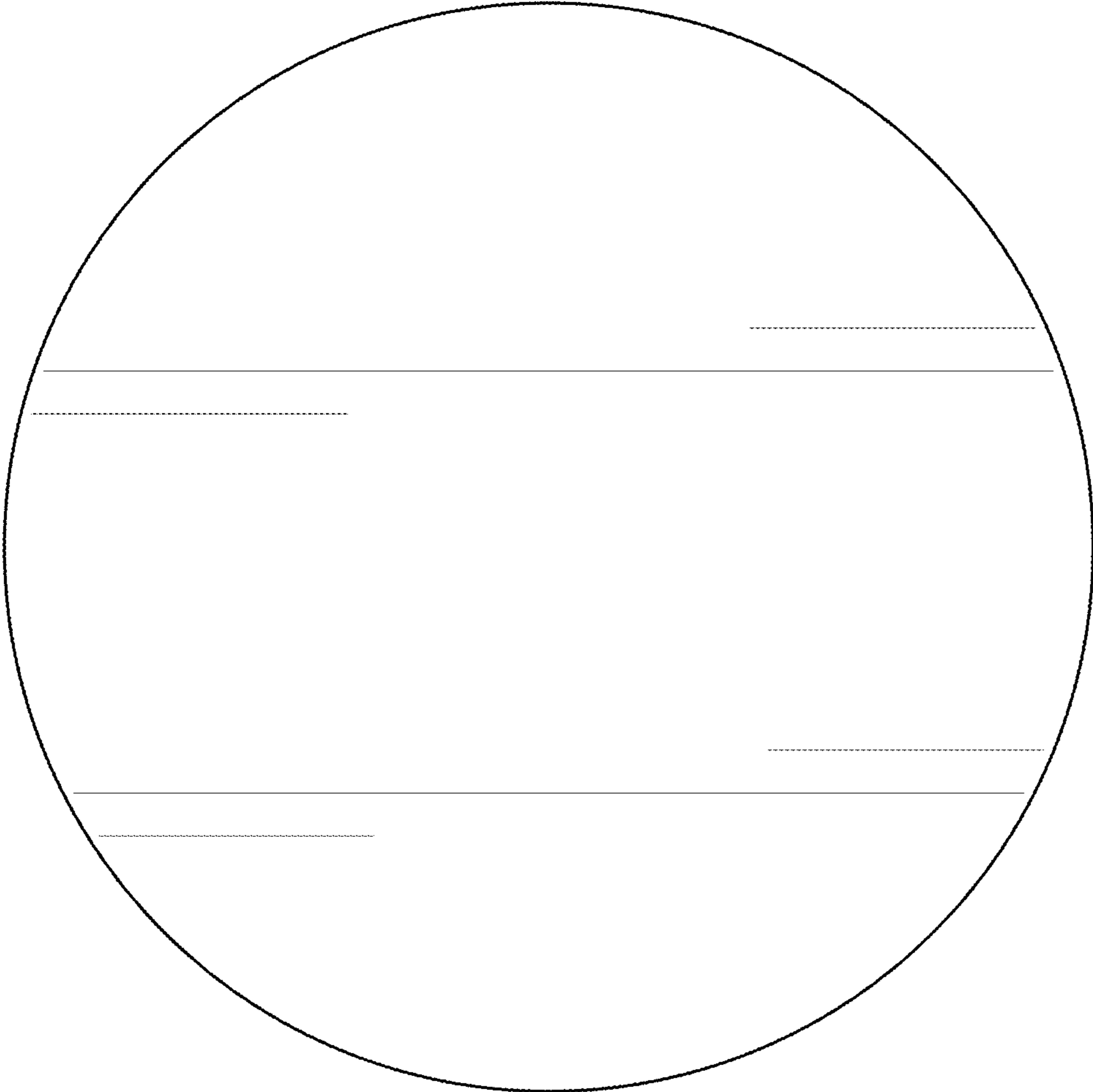


FIG. 11

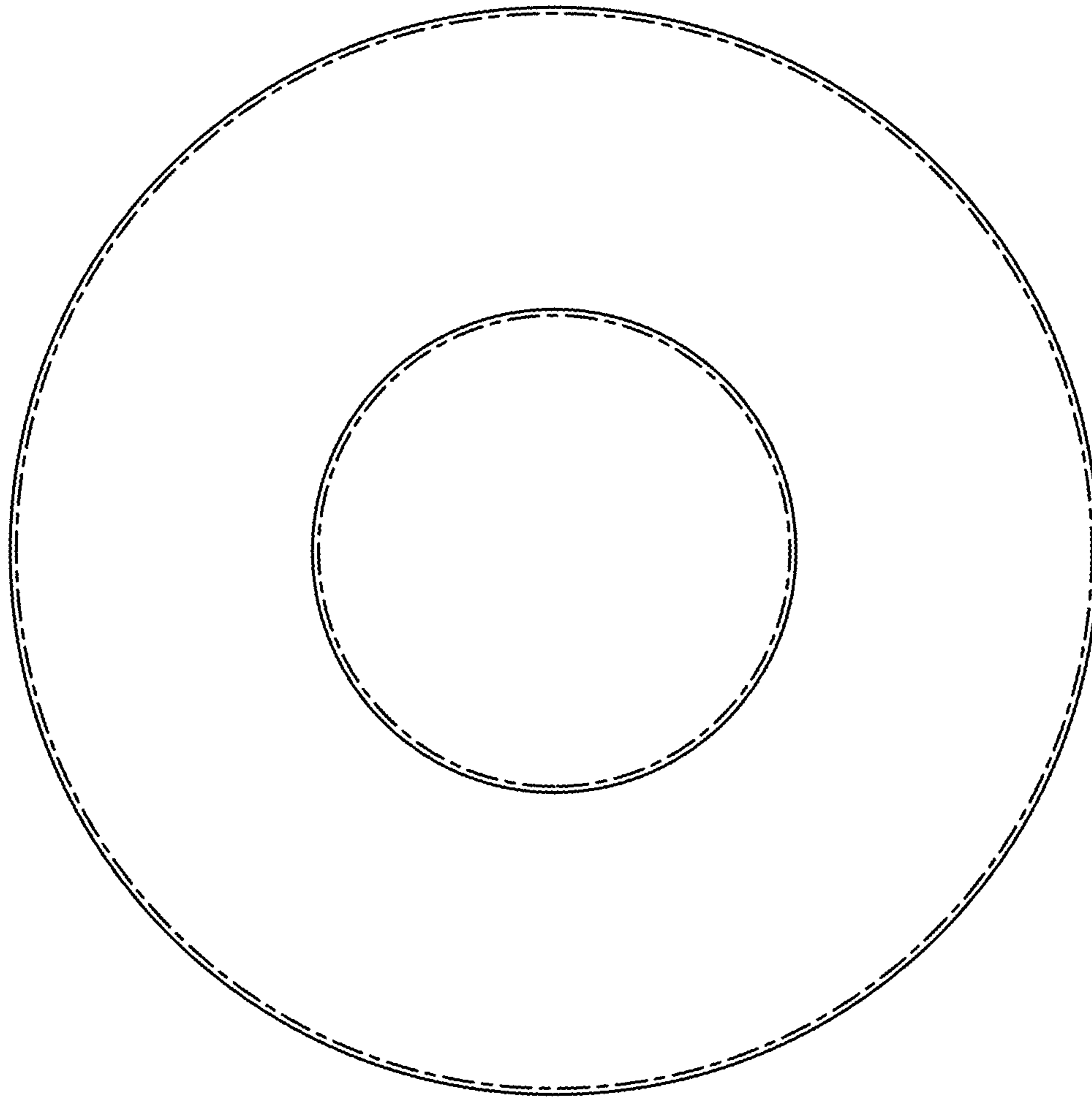


FIG. 12

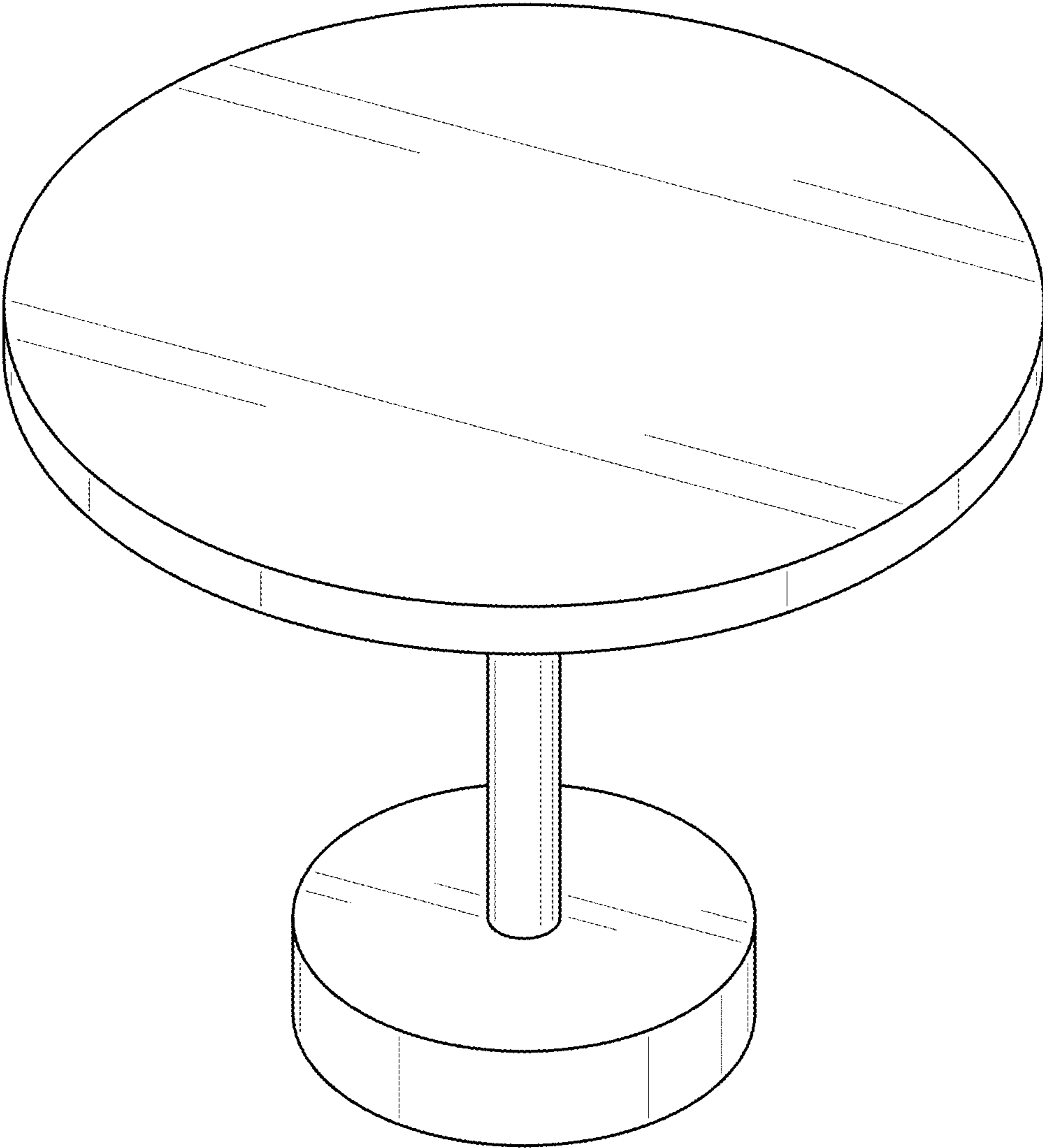


FIG. 13

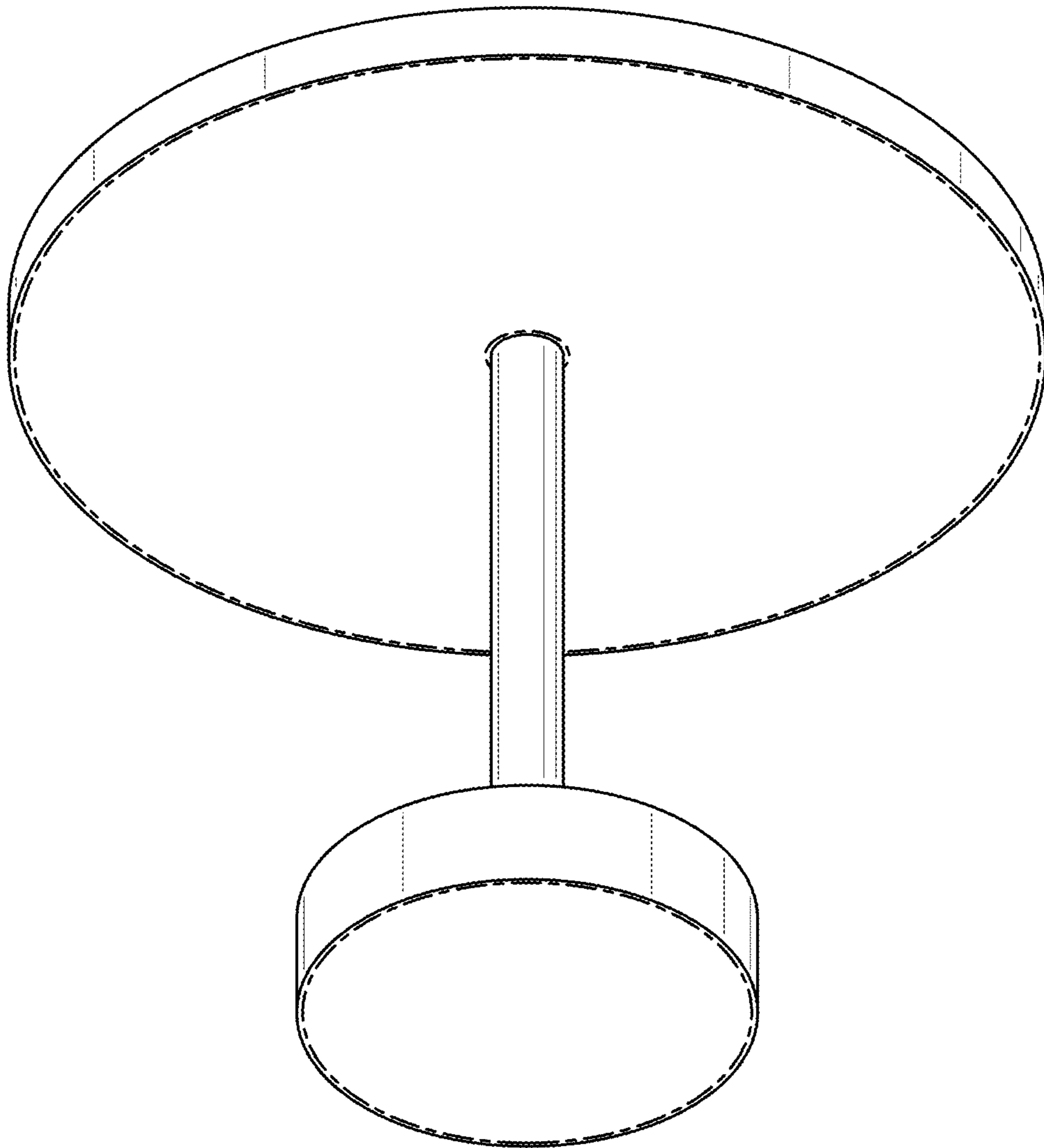


FIG. 14

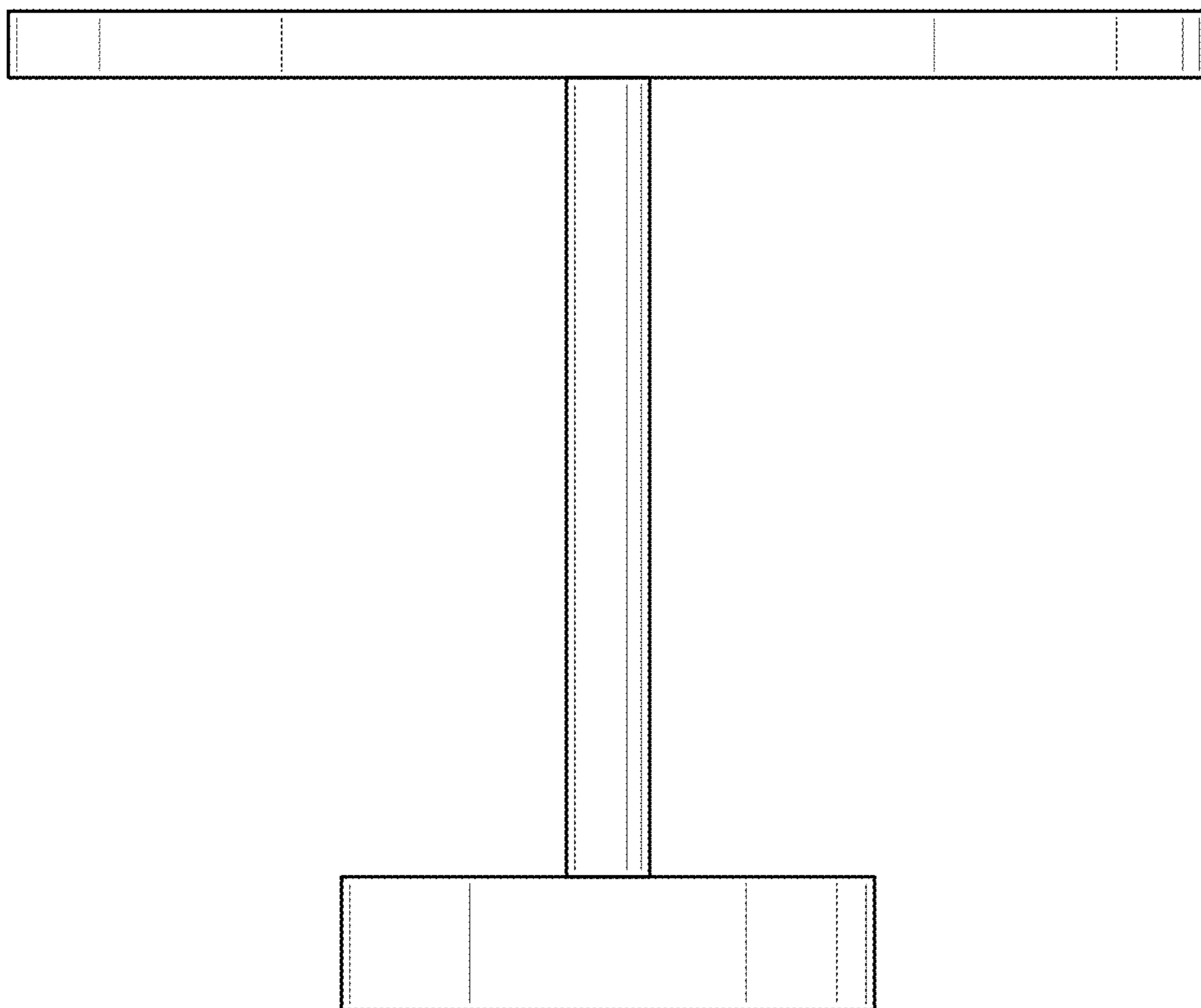


FIG. 15

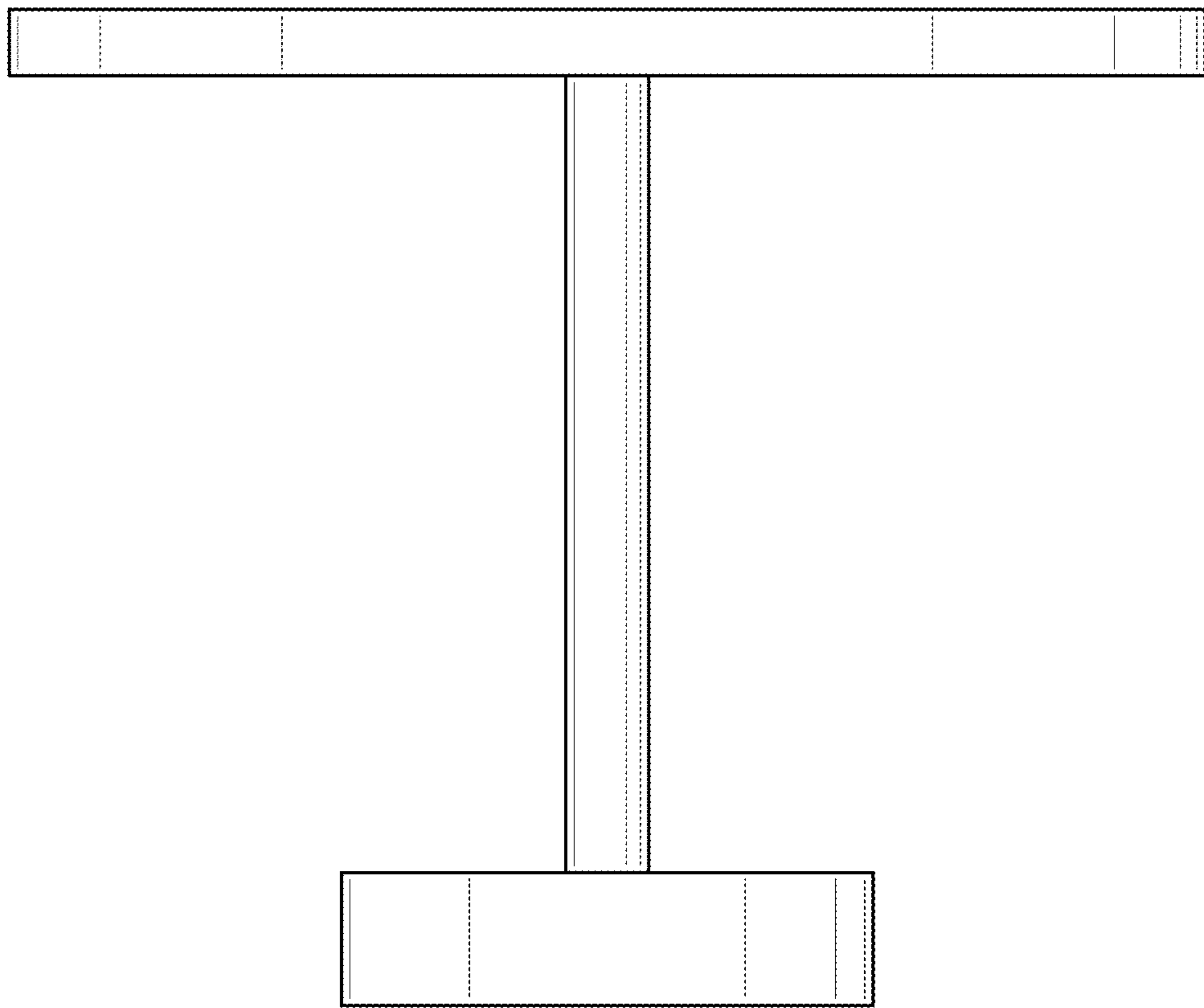


FIG. 16

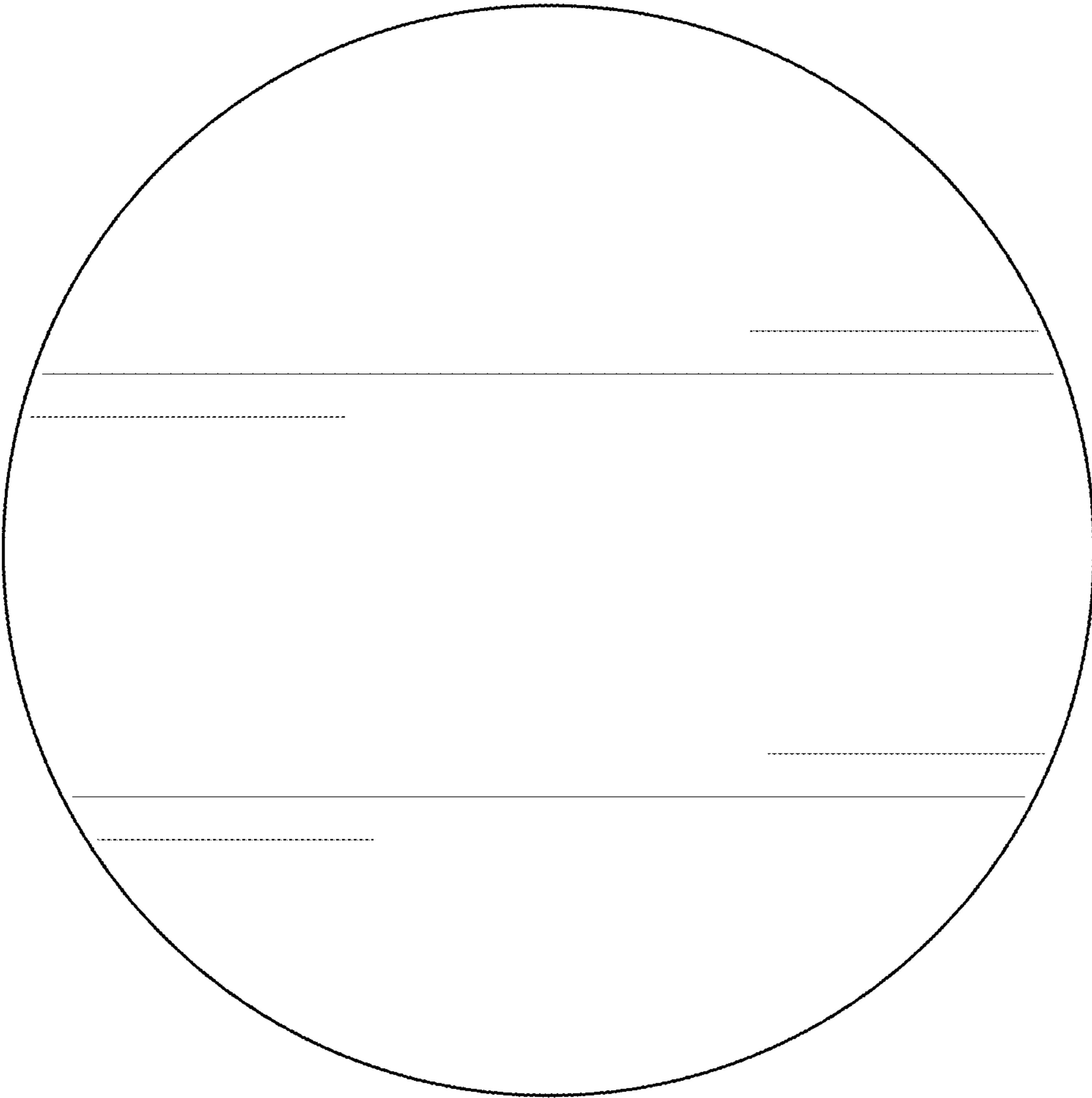


FIG. 17

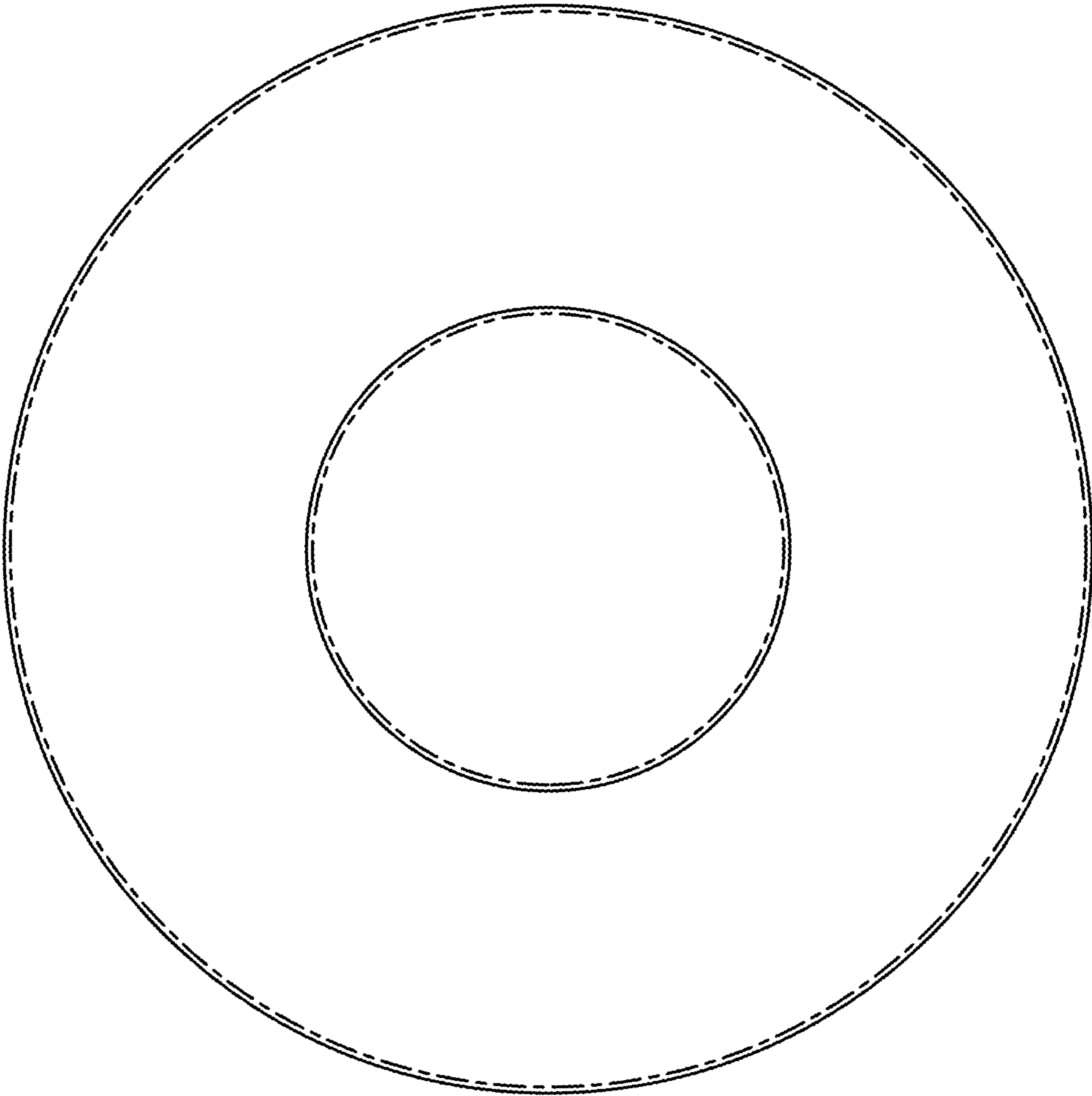


FIG. 18

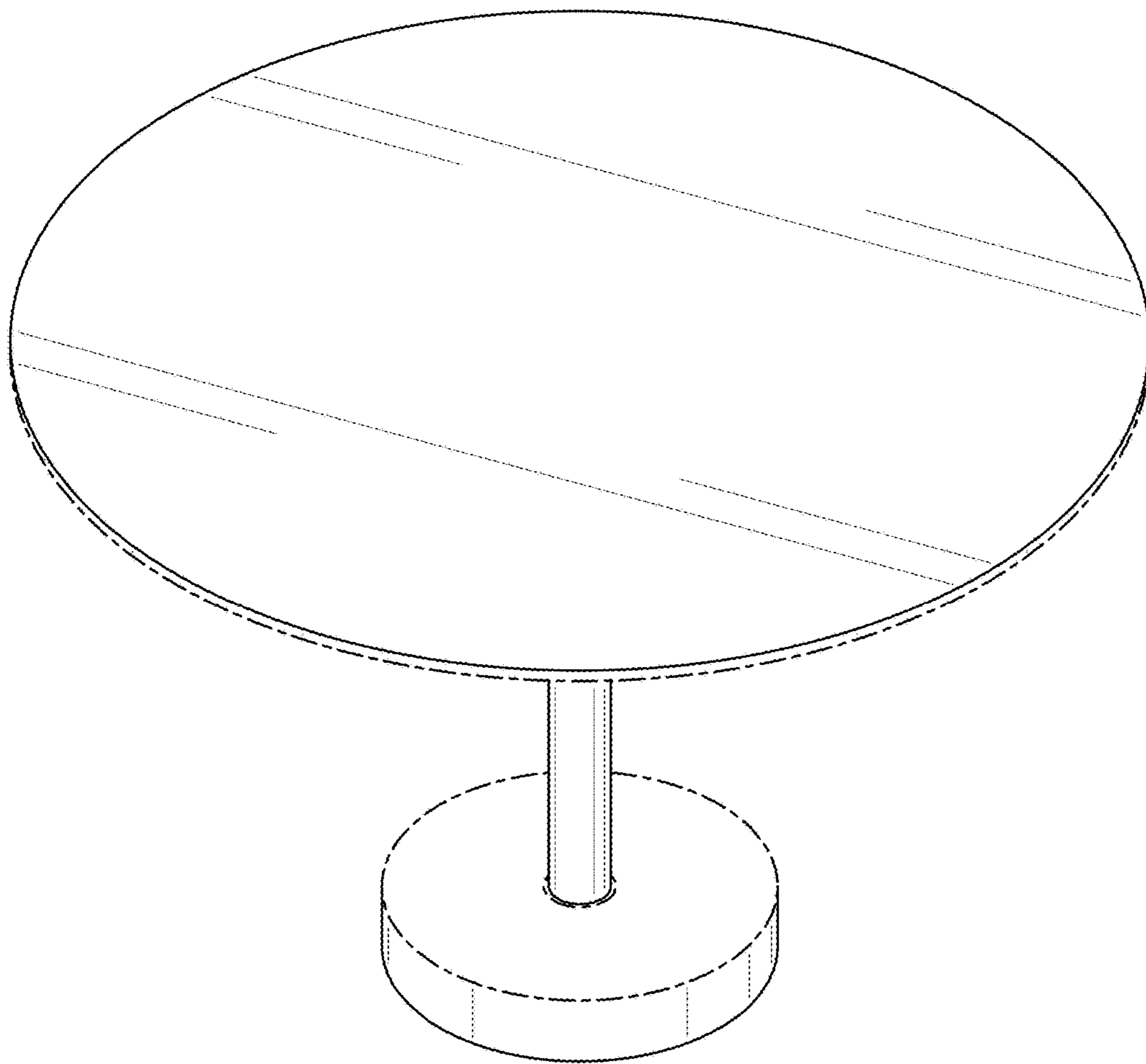


FIG. 19

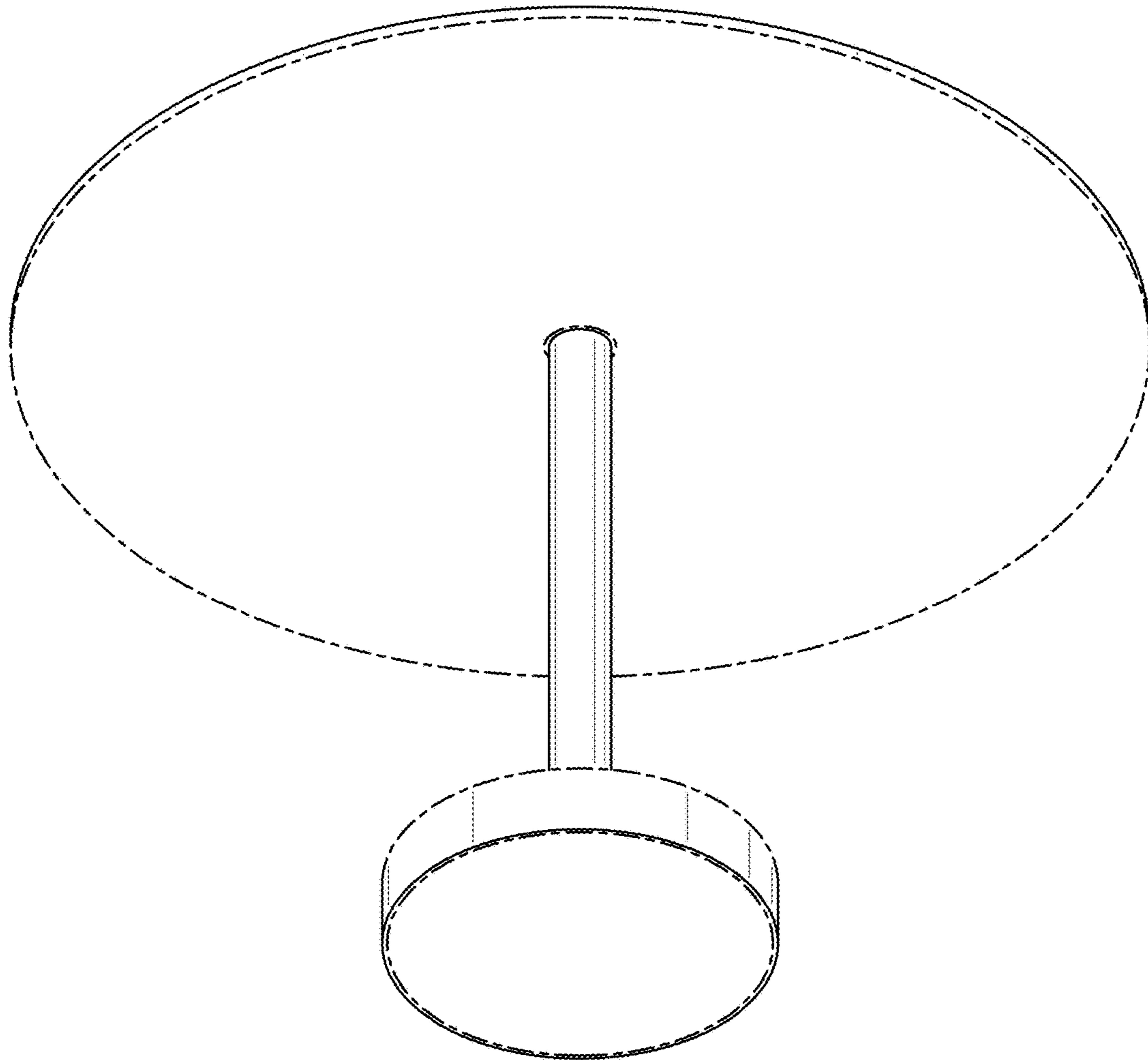


FIG. 20

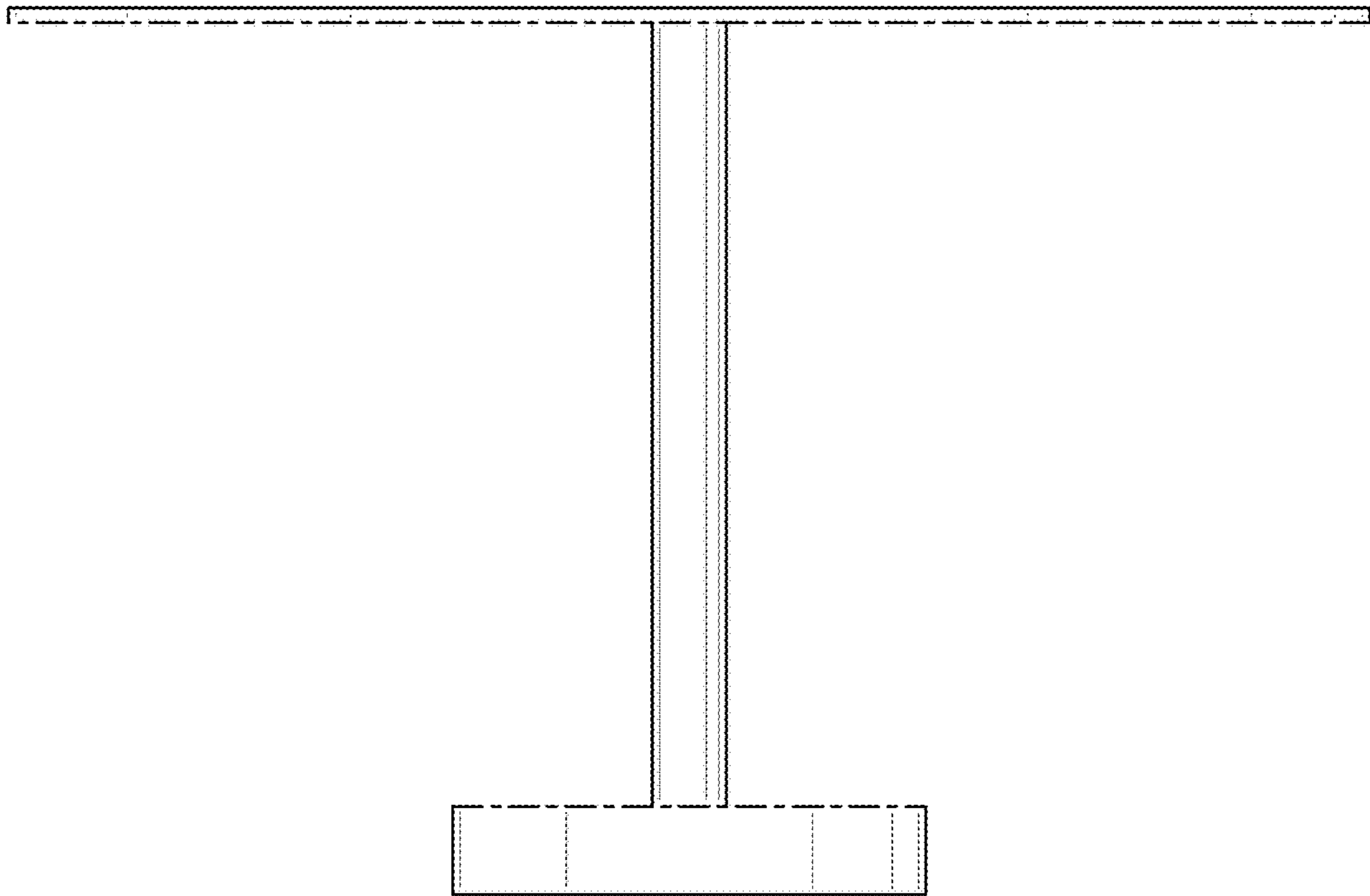


FIG. 21

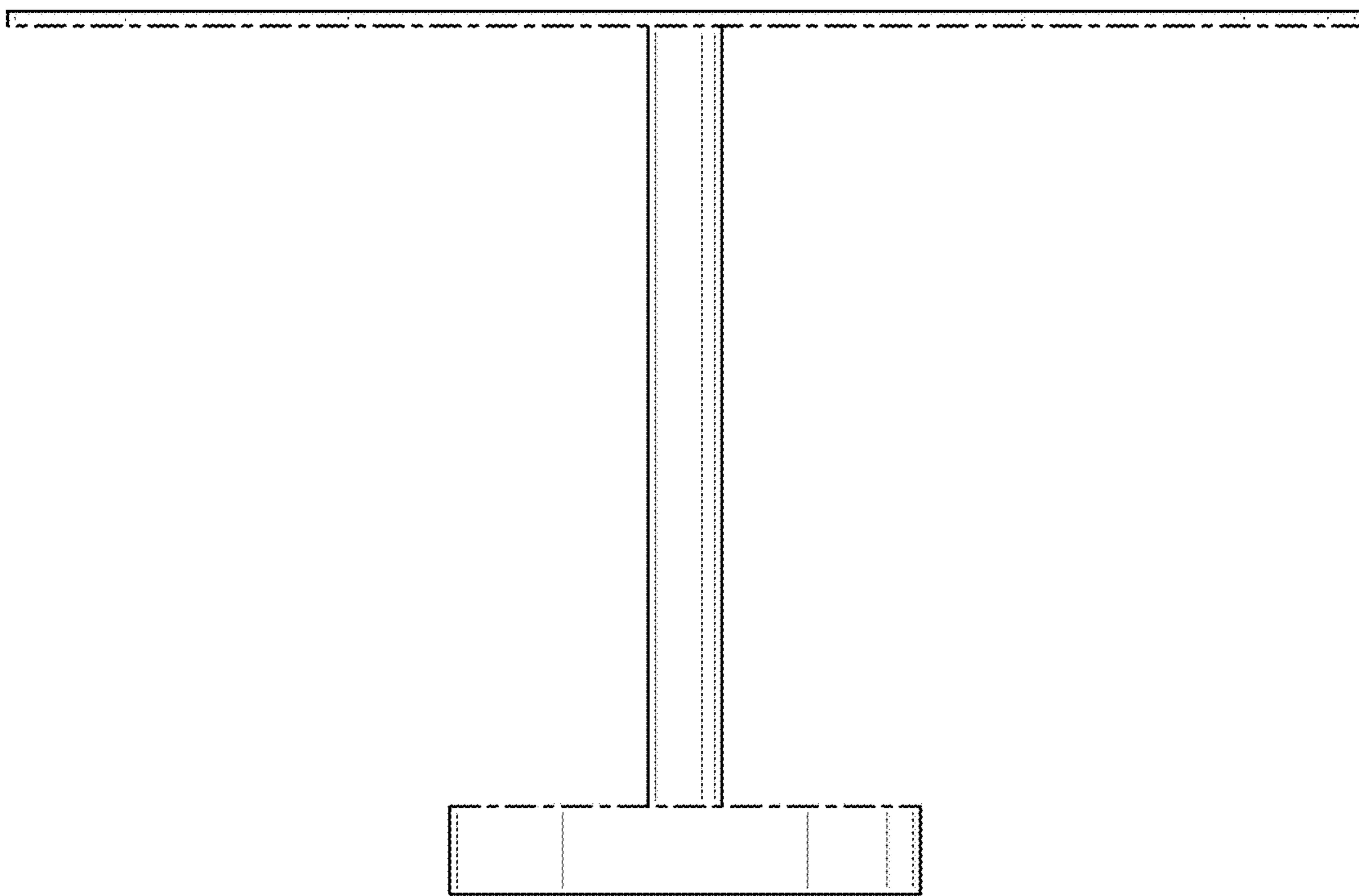


FIG. 22

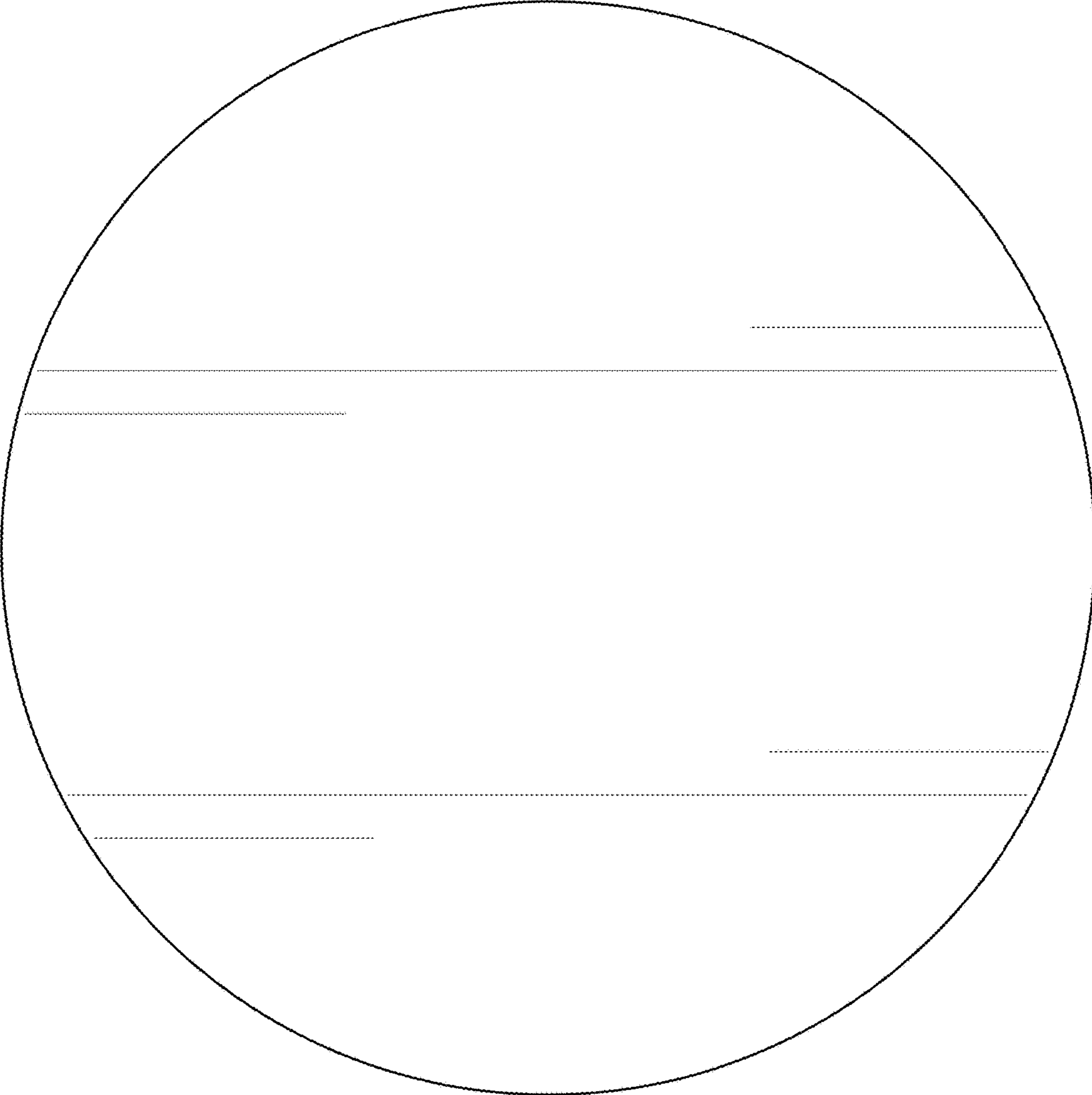


FIG. 23

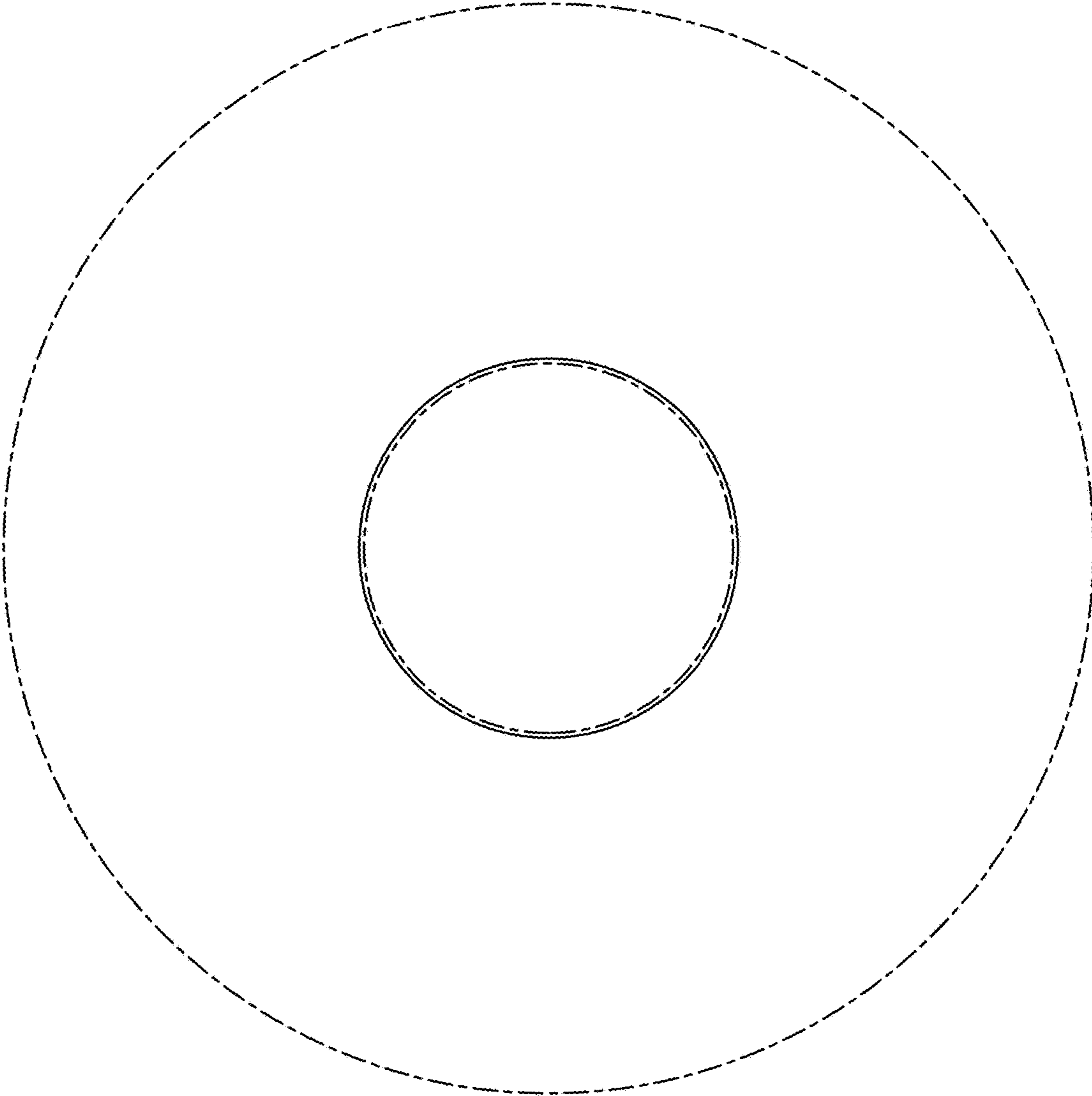


FIG. 24