

US00D833188S

(12) **United States Design Patent** (10) **Patent No.:** **US D833,188 S**  
**Kershner** (45) **Date of Patent:** **\*\* Nov. 13, 2018**

(54) **TRAY FOR INCORPORATION INTO A PIECE OF FURNITURE**

(71) Applicant: **Lifestyle Solutions, Inc.**, Fremont, CA (US)

(72) Inventor: **Brandon Kershner**, Hayward, CA (US)

(73) Assignee: **Lifestyle Sciences, Inc.**, Newark, CA (US)

(\*\*) Term: **15 Years**

(21) Appl. No.: **29/572,355**

(22) Filed: **Jul. 27, 2016**

(51) **LOC (11) Cl.** ..... **06-03**

(52) **U.S. Cl.**  
USPC ..... **D6/691.4; D6/336**

(58) **Field of Classification Search**  
USPC ..... D6/334-381, 716, 707.19  
CPC ..... A47C 7/68; A47C 7/70  
See application file for complete search history.

(56) **References Cited**

**U.S. PATENT DOCUMENTS**

D48,941 S *	4/1916	Klemm	.....	D6/341
1,256,498 A *	2/1918	Baker	.....	A47B 11/00
				108/139
D176,648 S *	1/1956	Wilson	.....	297/124
D207,262 S *	3/1967	Maurer et al.	.....	D6/341
D224,923 S *	10/1972	Grabhorn	.....	D6/336
D288,507 S *	3/1987	Evans	.....	D6/336
D292,150 S *	10/1987	Restin	.....	D6/574
D323,560 S *	1/1992	Boyce	.....	D24/183
D389,675 S *	1/1998	Noll	.....	D6/687
D390,051 S *	2/1998	Noll	.....	D6/691.1
D392,812 S *	3/1998	Hicks	.....	D6/691.4
D426,406 S *	6/2000	Noll	.....	D6/691.1
D433,848 S *	11/2000	Sorel	.....	D6/707.19
D434,915 S *	12/2000	Zapf	.....	D6/336

D454,441 S *	3/2002	Bermudez	.....	D6/335
D522,258 S *	6/2006	Foster	.....	D6/336
D628,405 S *	12/2010	Pippin	.....	D6/555
D674,615 S *	1/2013	Blomstrom	.....	D6/341
D694,054 S *	11/2013	Blomstrom	.....	D6/716
D704,465 S *	5/2014	Massaud	.....	D6/364
D731,219 S *	6/2015	Spoelhof	.....	D6/341
D774,810 S *	12/2016	Biddle	.....	D6/691.4
D779,243 S *	2/2017	Wenzel	.....	A47B 13/021
				D6/686

\* cited by examiner

*Primary Examiner* — Deanna L Pratt

(74) *Attorney, Agent, or Firm* — Dykema Gossett P.L.L.C.

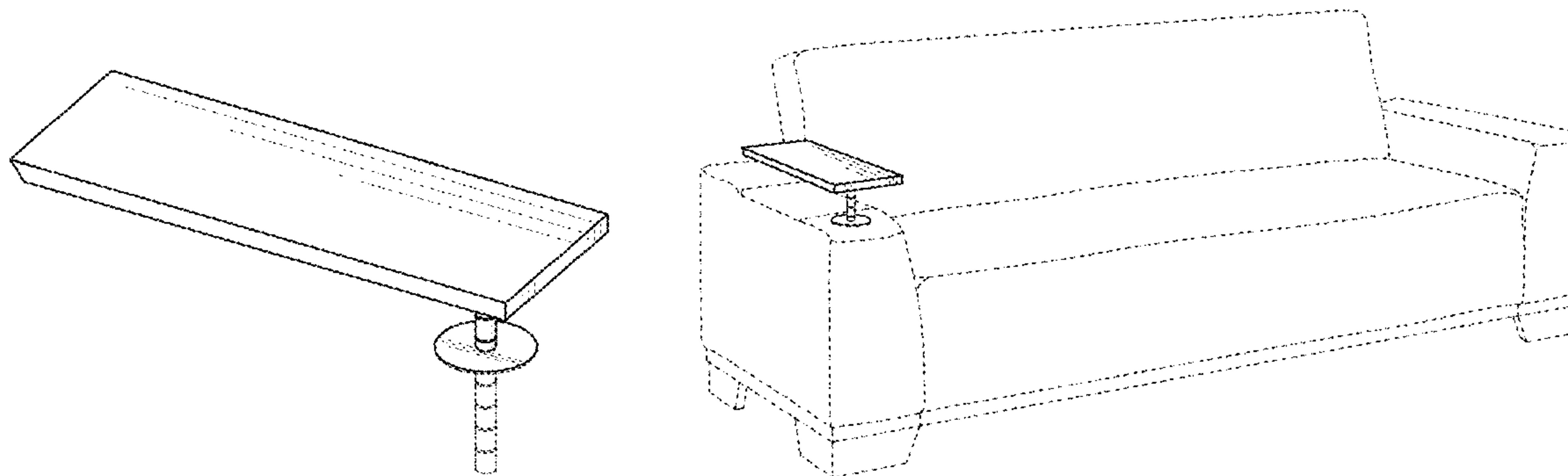
(57) **CLAIM**

The ornamental design for a tray for incorporation into a piece of furniture, as shown and described.

**DESCRIPTION**

FIG. 1 is a top perspective view of the tray;  
 FIG. 2 is a bottom perspective view of the tray;  
 FIG. 3 is a front view of the tray with the tray set at a first height;  
 FIG. 4 is a back view of the tray with the tray set at a second height;  
 FIG. 5 is a right side view of the tray;  
 FIG. 6 is a left side view of tray;  
 FIG. 7 is a top view of the tray;  
 FIG. 8 is a bottom view of the tray; and,  
 FIGS. 9-13 are views of the tray in use in multiple positions, in the environment of the claimed invention.  
 The broken lines in FIGS. 1-7 illustrate portions of the tray for incorporation into a piece of furniture that form no part of the claimed design. The broken line showing of the piece of furniture in FIGS. 9-11 illustrates the environment of the claimed design and form no part thereof.

**1 Claim, 9 Drawing Sheets**



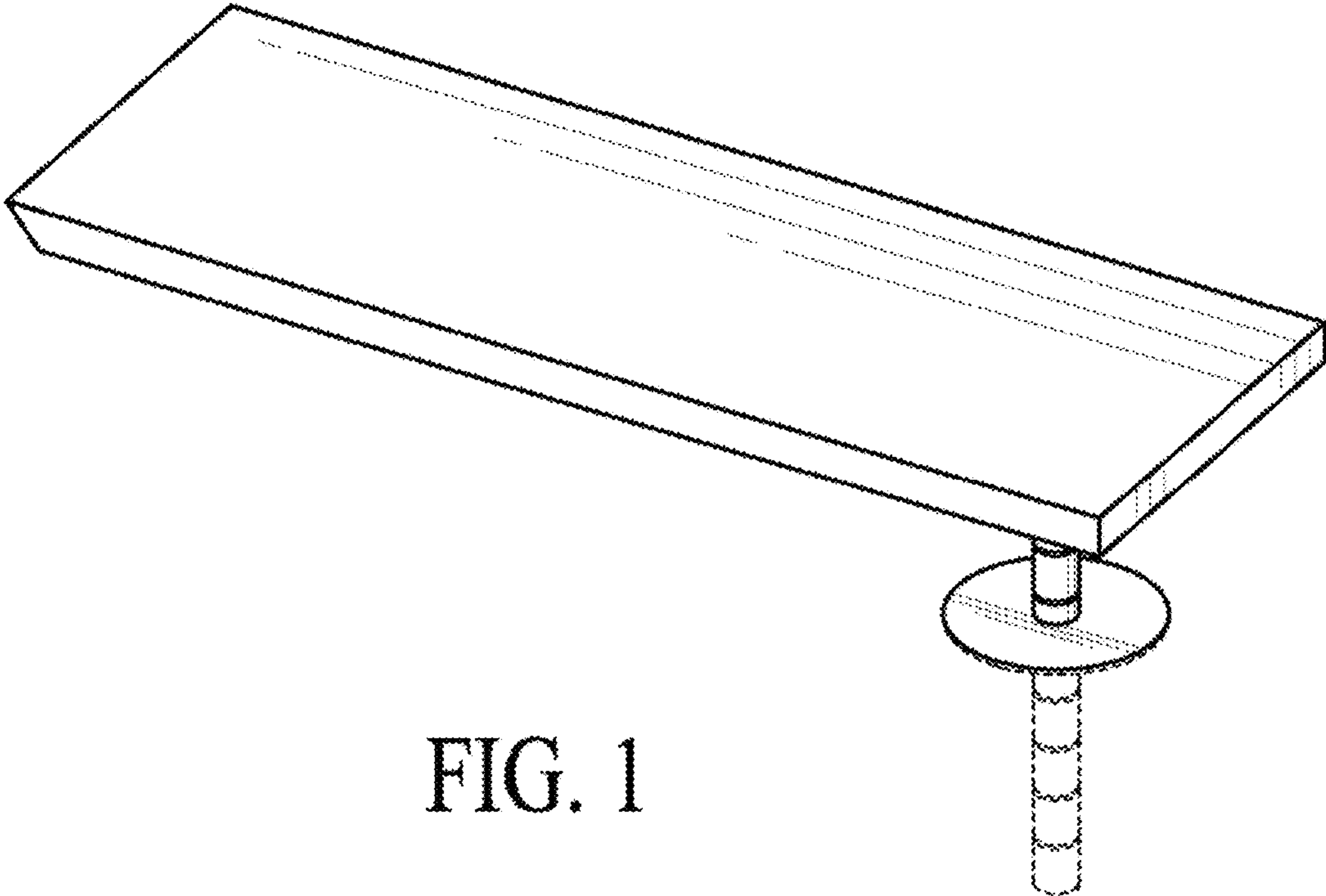


FIG. 1

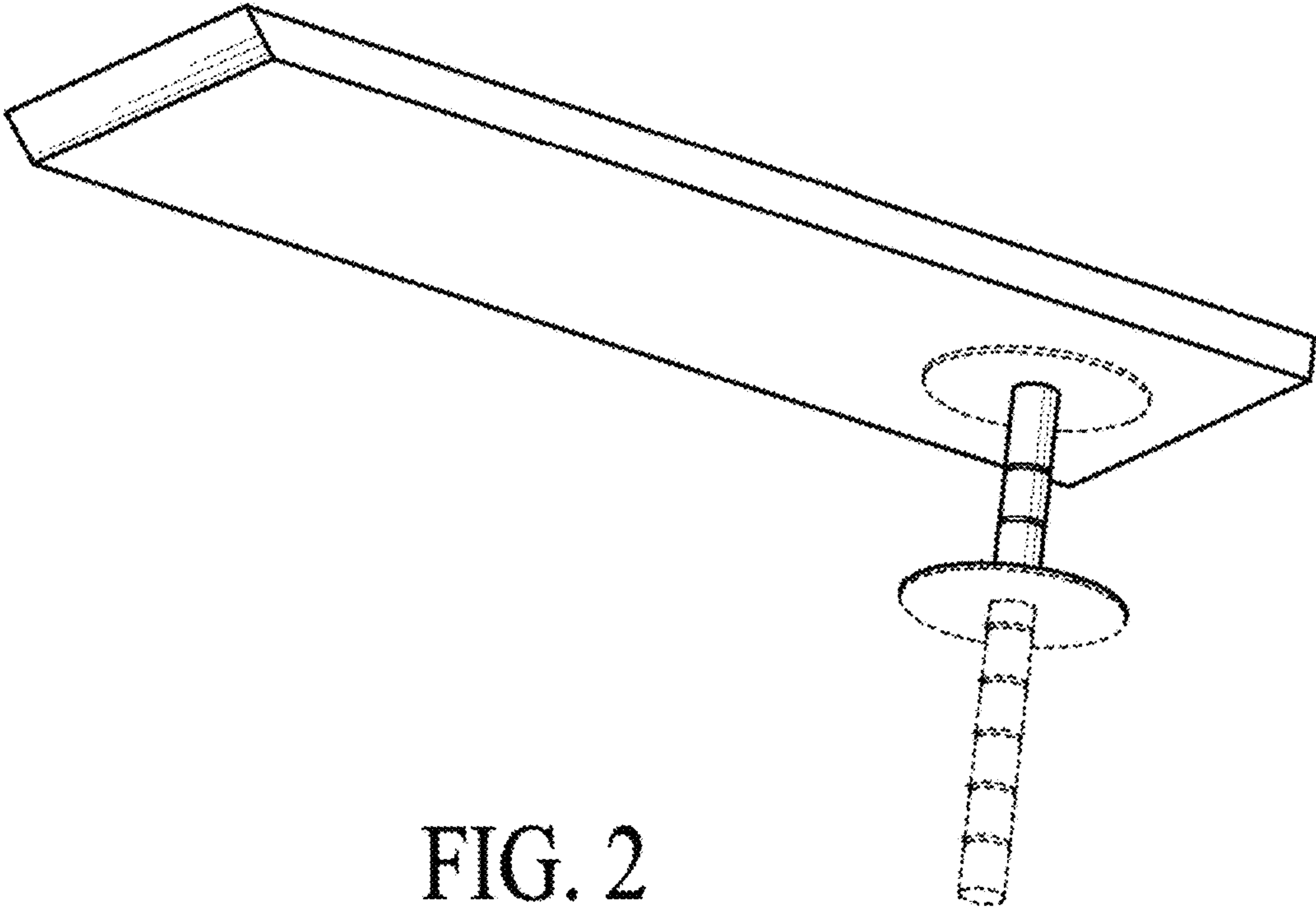


FIG. 2

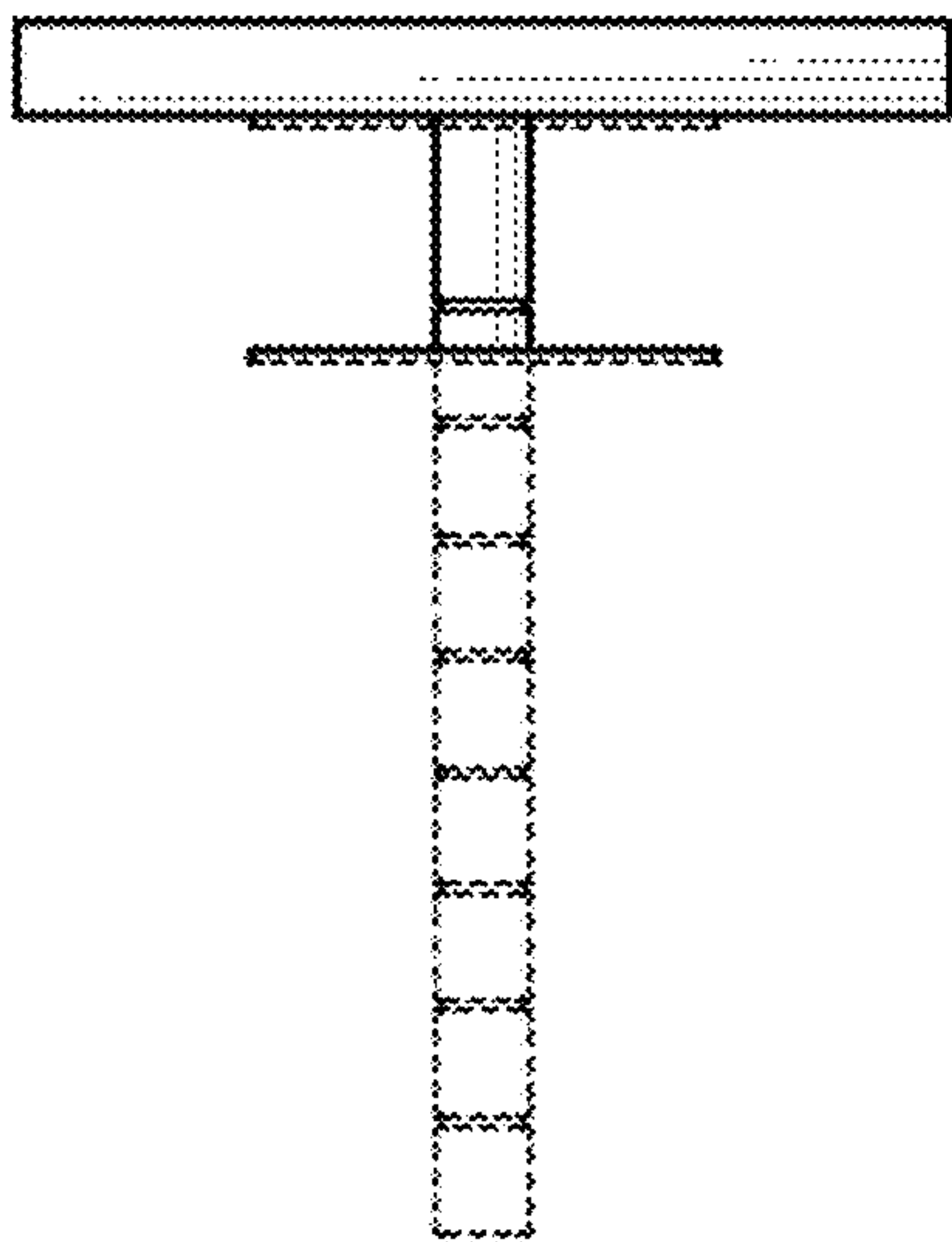


FIG. 3

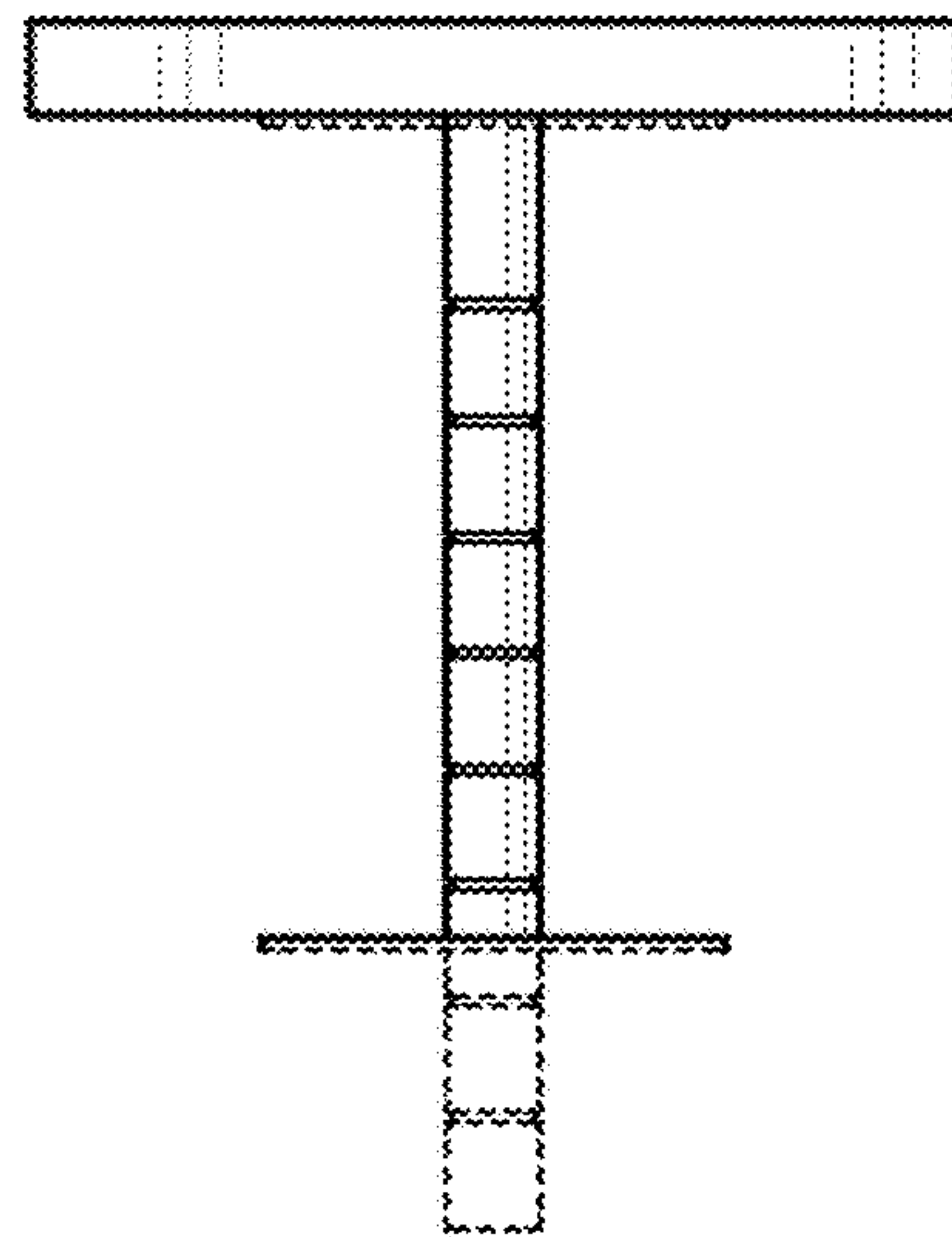


FIG. 4

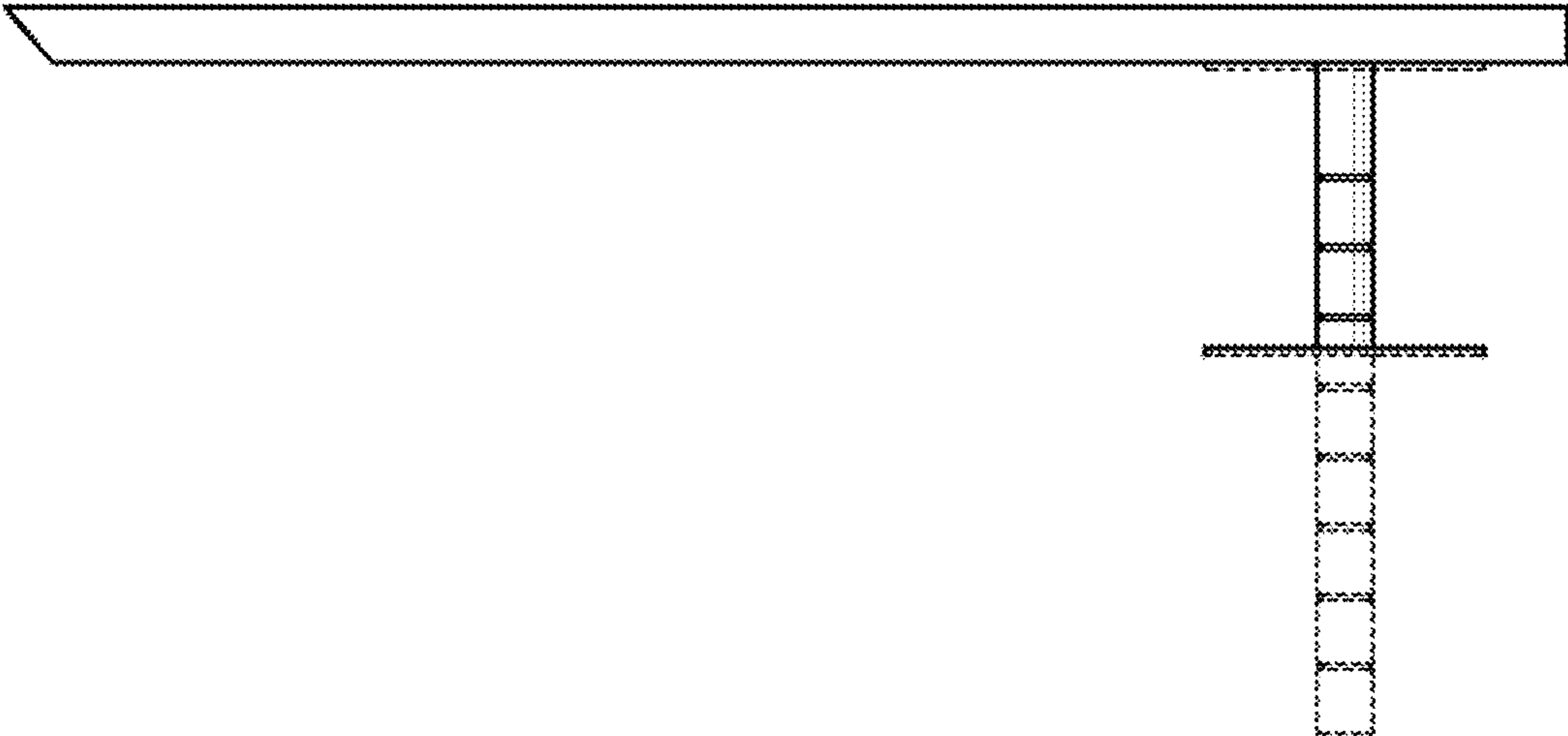


FIG. 5

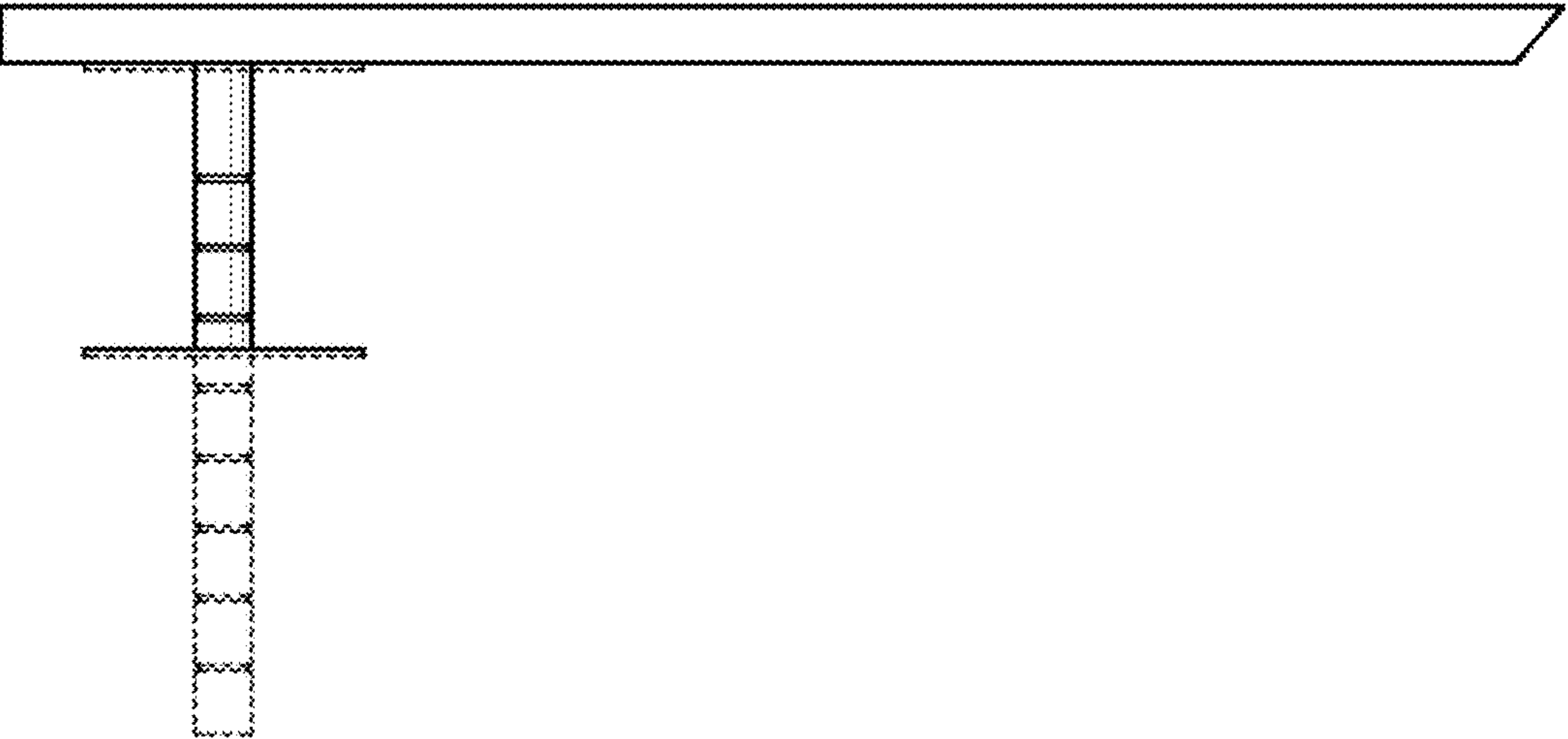


FIG. 6

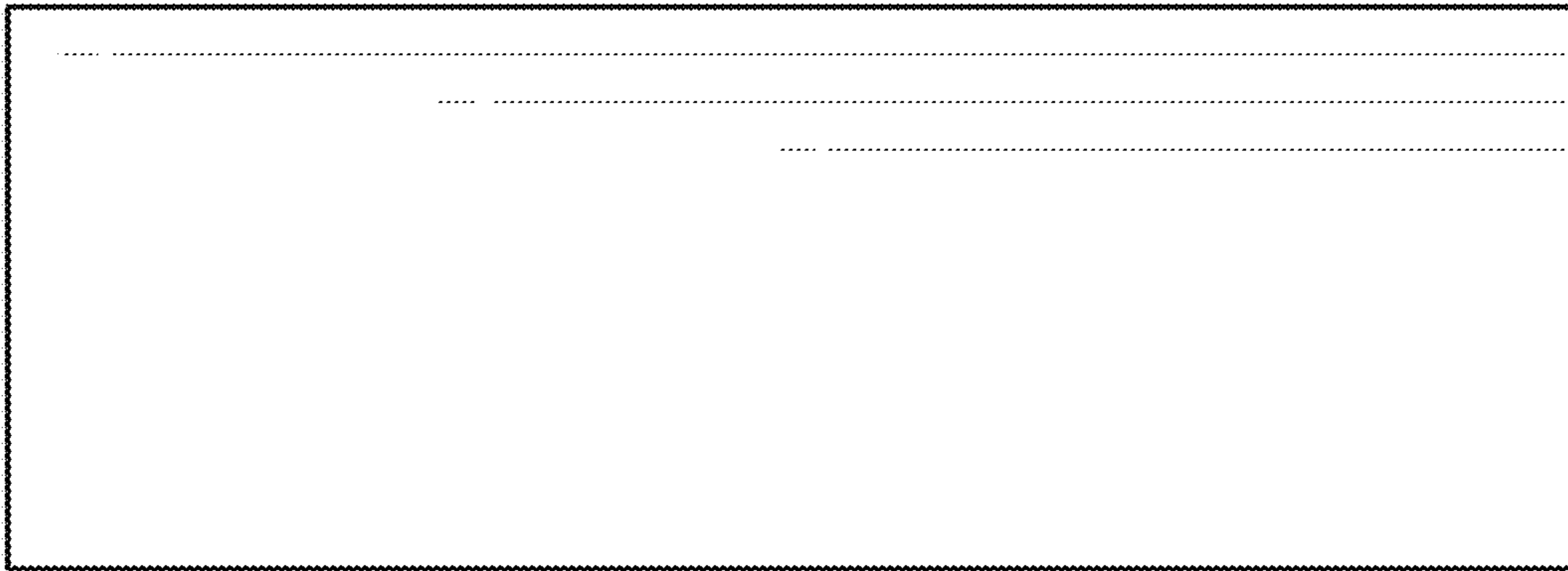


FIG. 7



FIG. 8

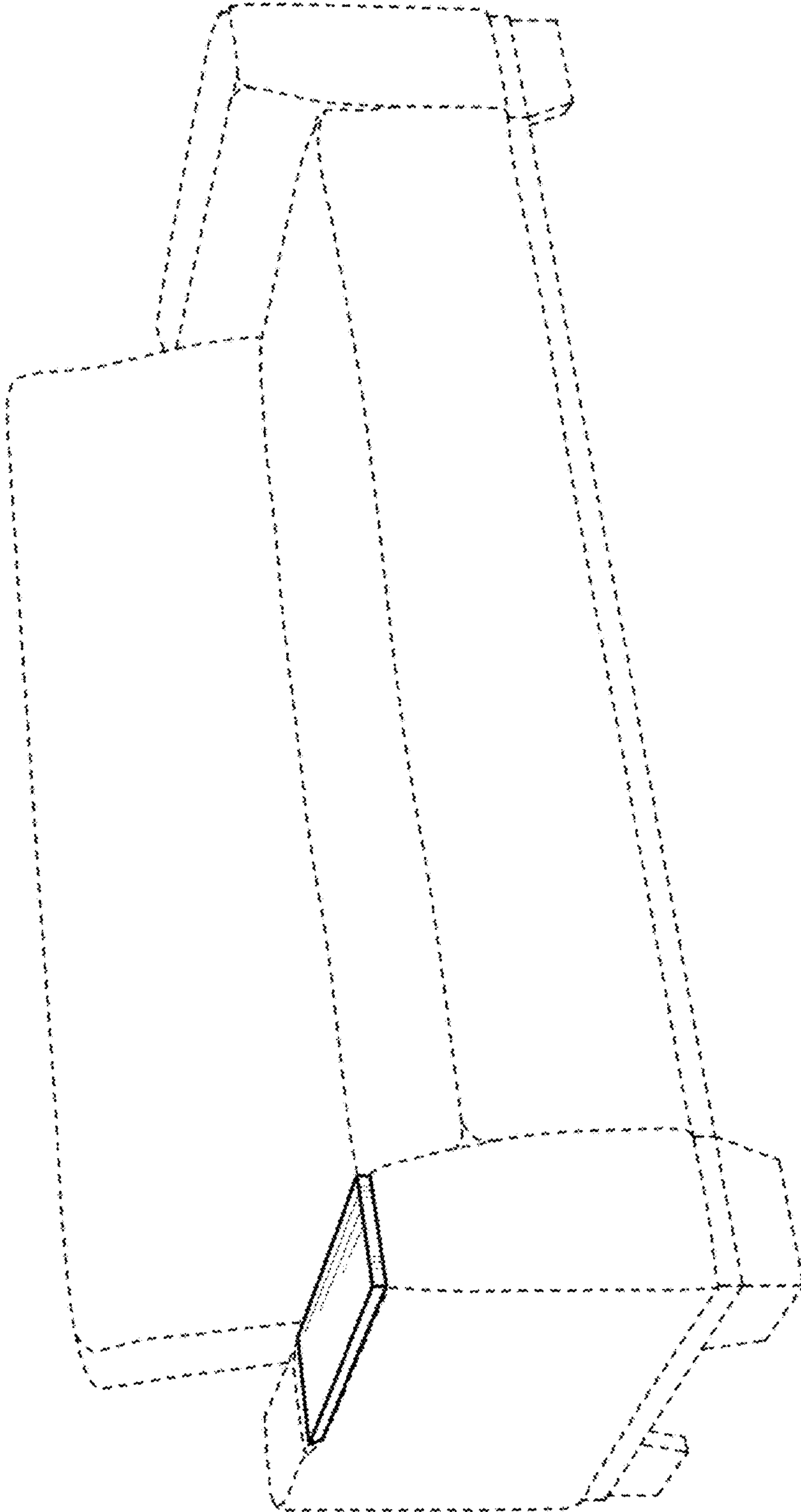


FIG. 9



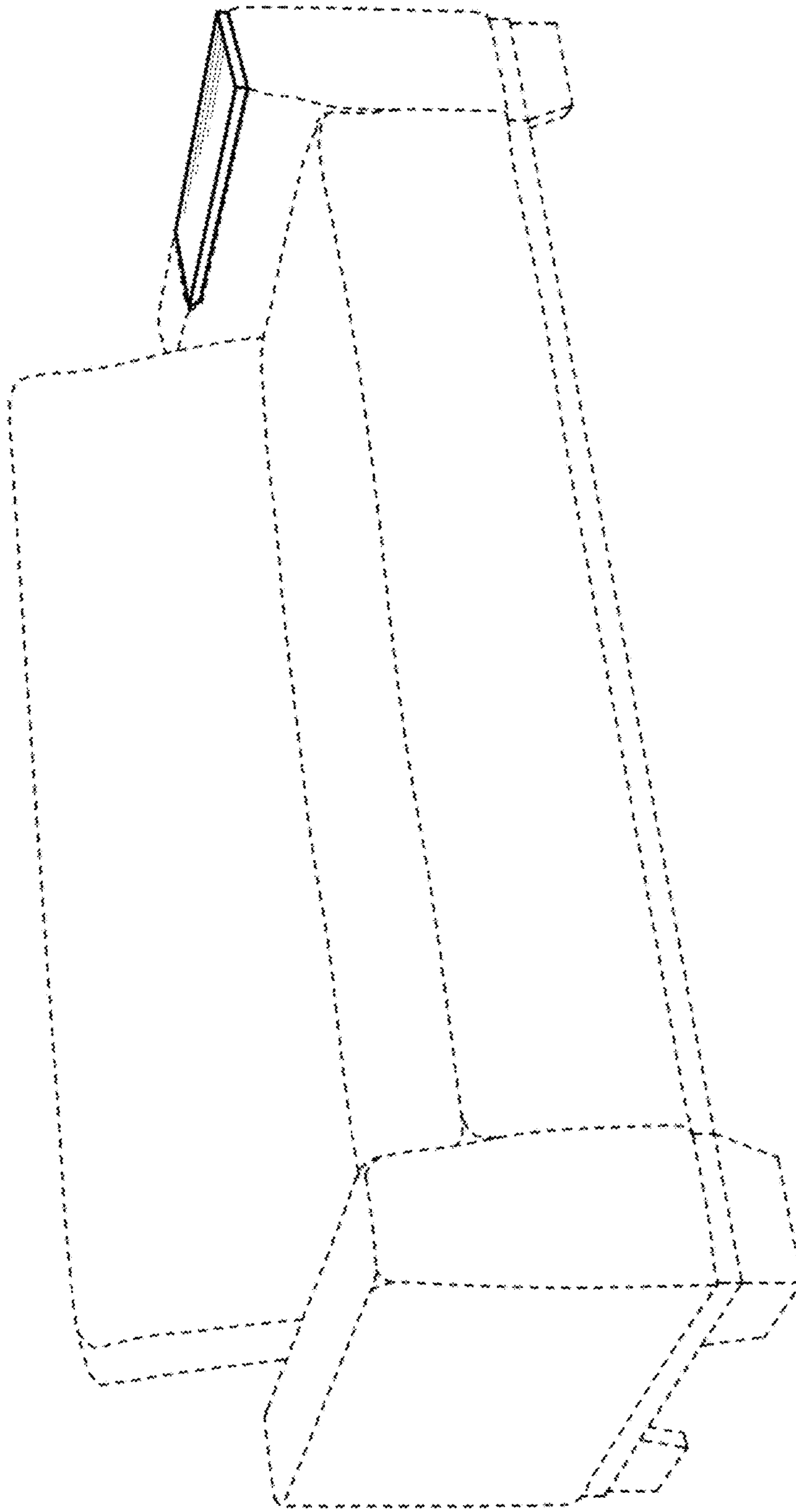


FIG. 10

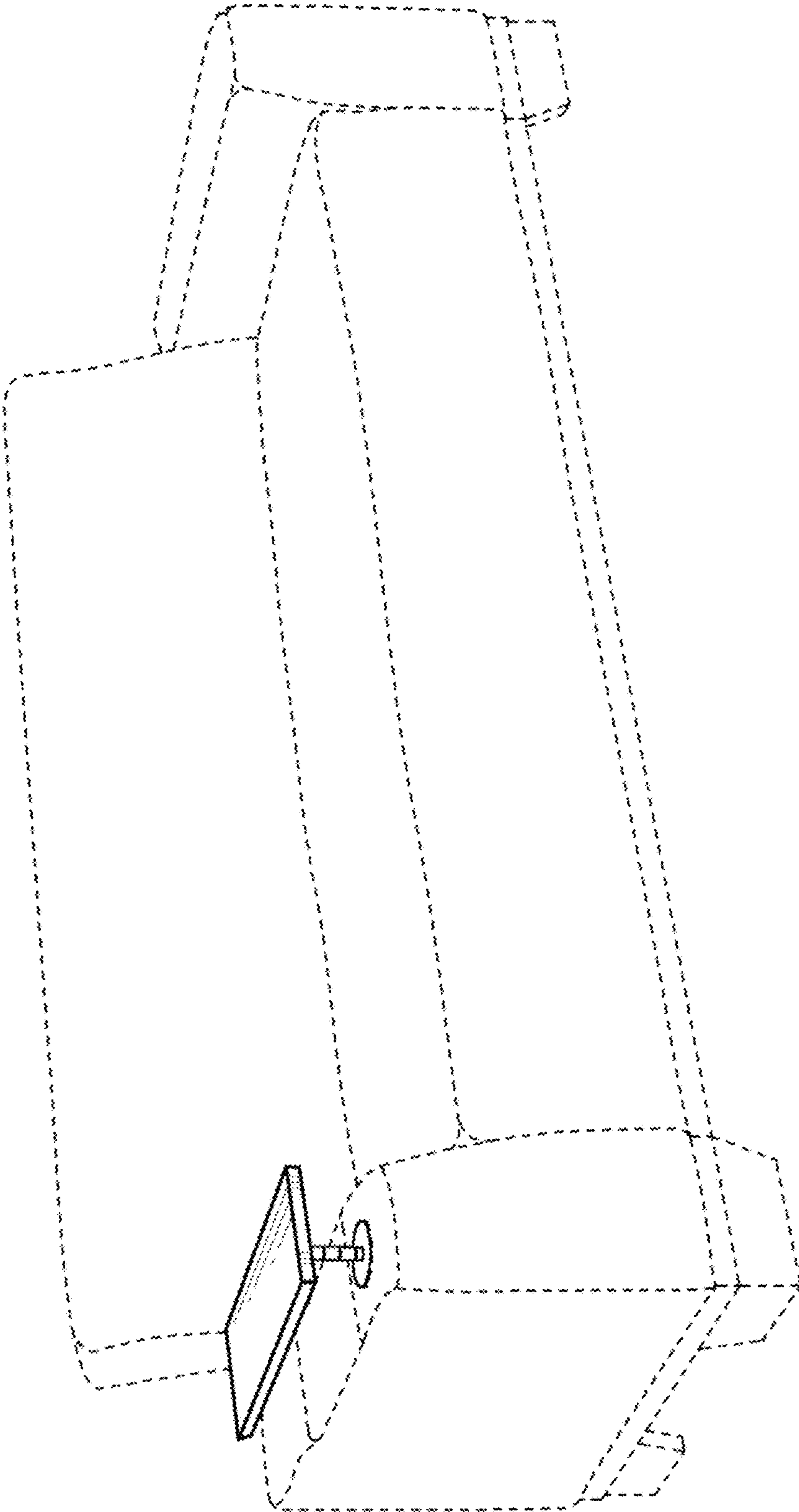


FIG. 11



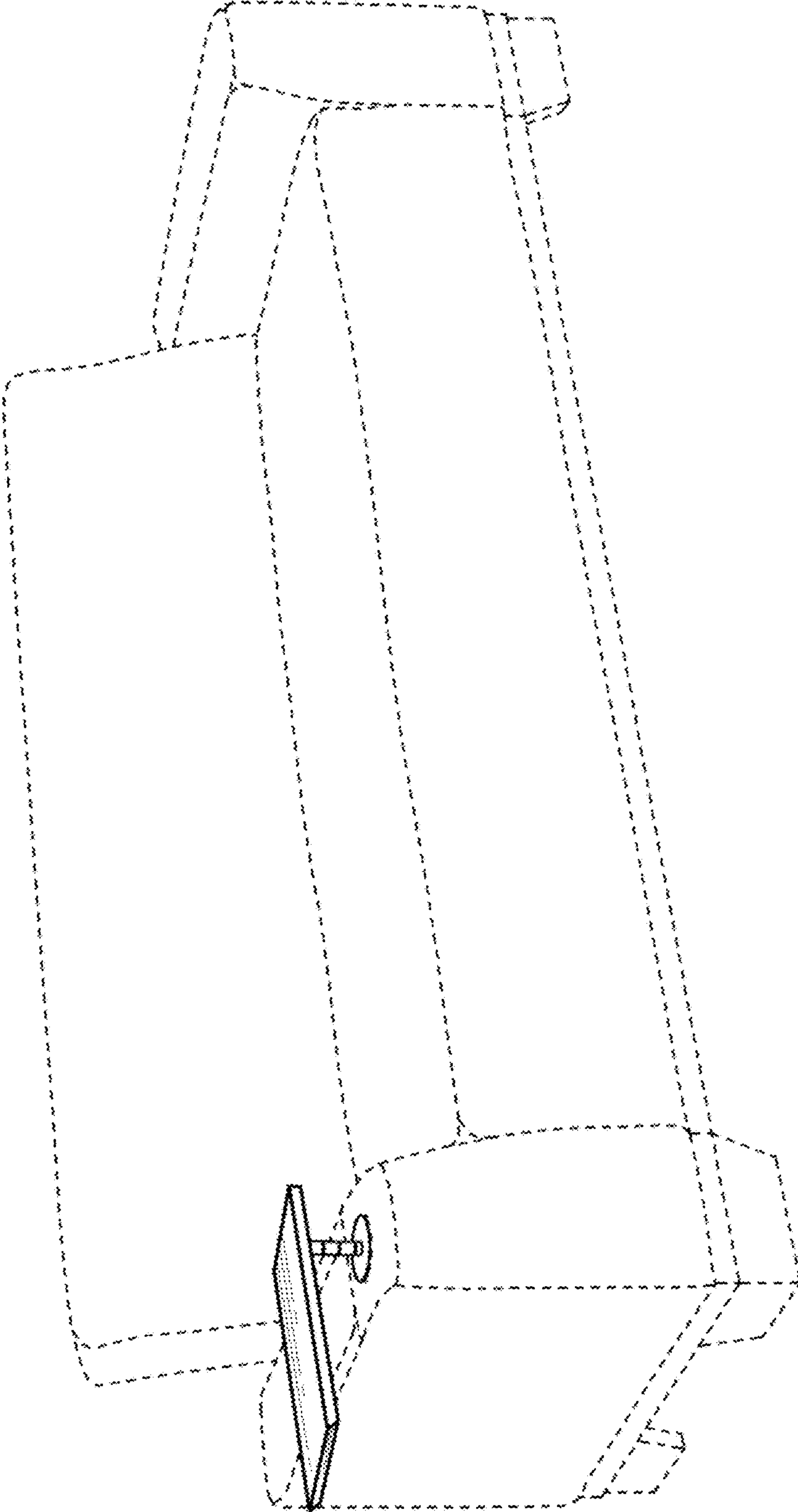


FIG. 12

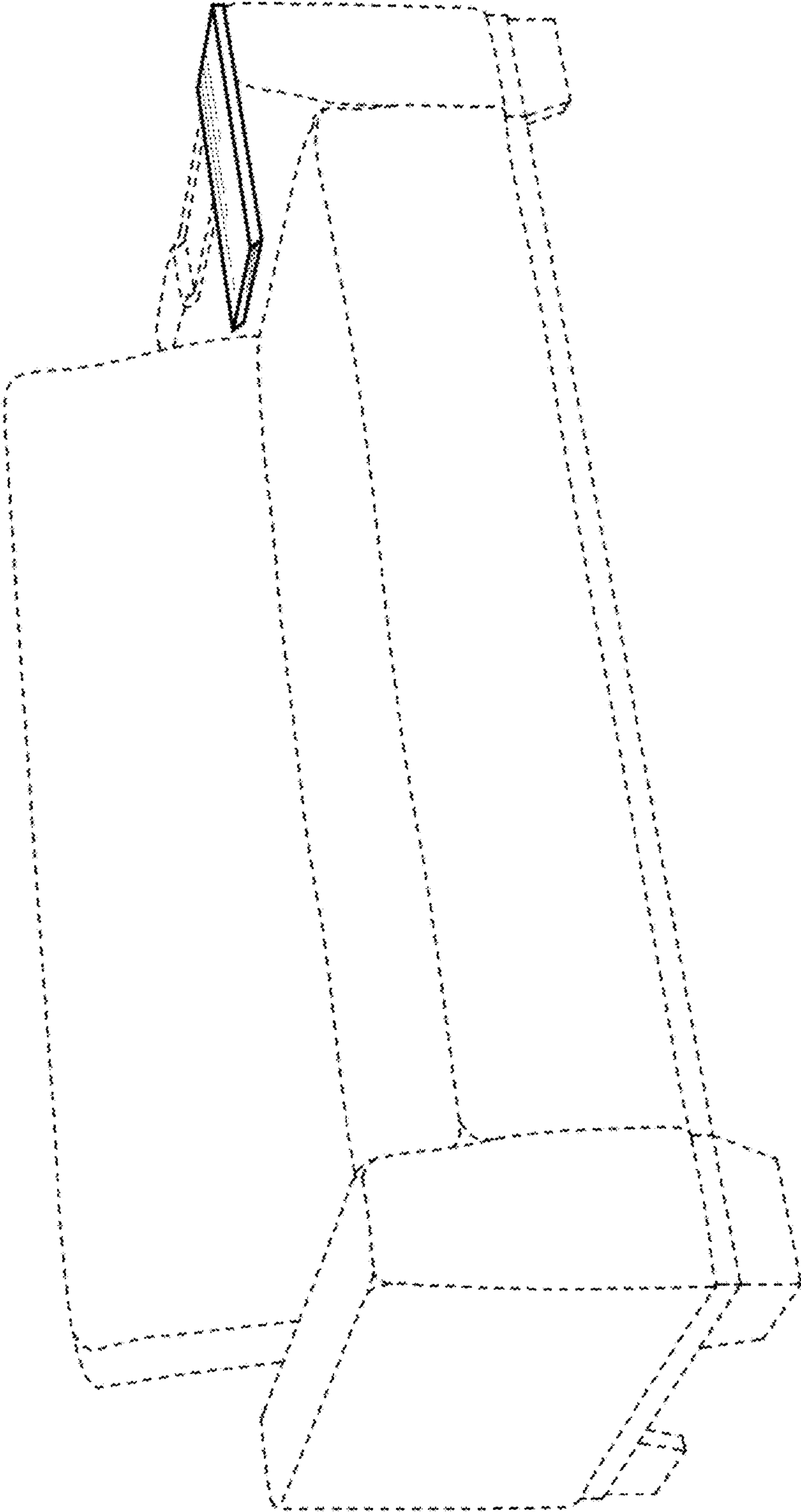


FIG. 13

UNITED STATES PATENT AND TRADEMARK OFFICE  
**CERTIFICATE OF CORRECTION**

PATENT NO. : D833,188 S  
APPLICATION NO. : 29/572355  
DATED : November 13, 2018  
INVENTOR(S) : Brandon Kershner

Page 1 of 1

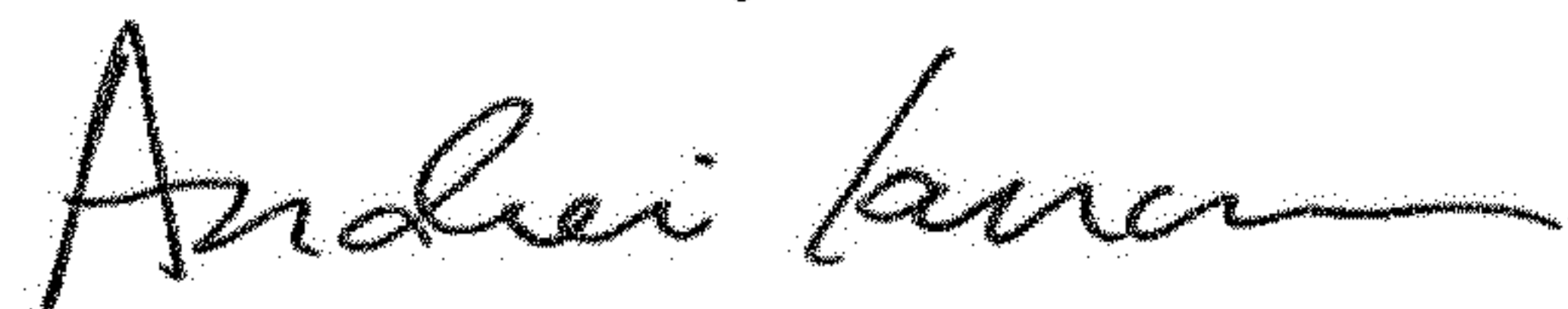
It is certified that error appears in the above-identified patent and that said Letters Patent is hereby corrected as shown below:

On the Title Page

Item (73) Assignee information should be:

--Lifestyle Solutions, Inc., Newark, CA (US)-- and not "Lifestyle Sciences, Inc., Newark, CA (US)"

Signed and Sealed this  
Eleventh Day of June, 2019



Andrei Iancu  
*Director of the United States Patent and Trademark Office*