



US00D833187S

(12) **United States Design Patent** (10) **Patent No.:** **US D833,187 S**  
**Earley** (45) **Date of Patent:** **\*\* Nov. 13, 2018**

(54) **TABLE**  
(71) Applicant: **Aston Martin Lagonda Limited,**  
Warwick (GB)  
(72) Inventor: **Leighanne Earley,** Warwick (GB)  
(73) Assignee: **Aston Martin Lagonda Limited** (GB)  
(\*\*) Term: **15 Years**  
(21) Appl. No.: **29/582,167**  
(22) Filed: **Oct. 25, 2016**  
(30) **Foreign Application Priority Data**

Apr. 26, 2016 (EM) ..... 003094846-0001  
Apr. 26, 2016 (EM) ..... 003094846-0002

(51) **LOC (11) Cl.** ..... **06-03**  
(52) **U.S. Cl.**  
USPC ..... **D6/688.24**  
(58) **Field of Classification Search**  
USPC ..... D6/642, 663, 671, 677, 686, 687, 690,  
D6/691, 691.1, 691.2, 691.3, 691.4,  
D6/691.5, 693, 689, 691.9, 695, 695.2,  
D6/697.2, 688.1, 688.14, 688, 688.24,  
D6/697, 697.7  
CPC ..... A47B 7/00; A47B 13/08; A47B 13/10;  
A47B 21/00; A47B 2009/006; A47B  
11/00; A47B 2200/002  
See application file for complete search history.

(56) **References Cited**

**U.S. PATENT DOCUMENTS**

D178,297 S \* 7/1956 Little ..... D6/697  
D238,407 S \* 1/1976 Owens ..... D6/690  
D262,171 S \* 12/1981 Lustig ..... D11/4  
D276,767 S \* 12/1984 Livi ..... D6/349  
D286,836 S \* 11/1986 Ginouves ..... D6/690  
D306,243 S \* 2/1990 Livi ..... D6/690

D310,755 S \* 9/1990 Kirby ..... D24/183  
D333,231 S \* 2/1993 Bareiss ..... D6/697  
D347,342 S \* 5/1994 Ghini ..... D6/690  
D371,702 S \* 7/1996 Reese ..... D6/692.6  
D390,047 S \* 2/1998 Cambra ..... D6/688  
D444,322 S \* 7/2001 Yoshino ..... D6/690  
D492,858 S \* 7/2004 Georgopoulos ..... D6/688  
D527,552 S \* 9/2006 Searl ..... D6/690  
D562,028 S \* 2/2008 Loeb ..... D6/643.1  
D614,892 S \* 5/2010 Miller ..... D6/708  
D620,396 S 7/2010 Reichman et al.  
D624,338 S \* 9/2010 Jahns ..... D6/708.16  
D626,466 S 11/2010 Reichman et al.  
D629,718 S 12/2010 Reichman et al.  
D629,719 S 12/2010 Reichman et al.  
D629,725 S 12/2010 Reichman et al.  
D630,140 S 1/2011 Reichman et al.

(Continued)

**OTHER PUBLICATIONS**

U.S. Appl. No. 29/604,102, filed May 15, 2017, Nurnberger et al.  
(Continued)

*Primary Examiner* — Mary Ann Calabrese  
*Assistant Examiner* — Sloan Rozin  
(74) *Attorney, Agent, or Firm* — Dorsey & Whitney LLP

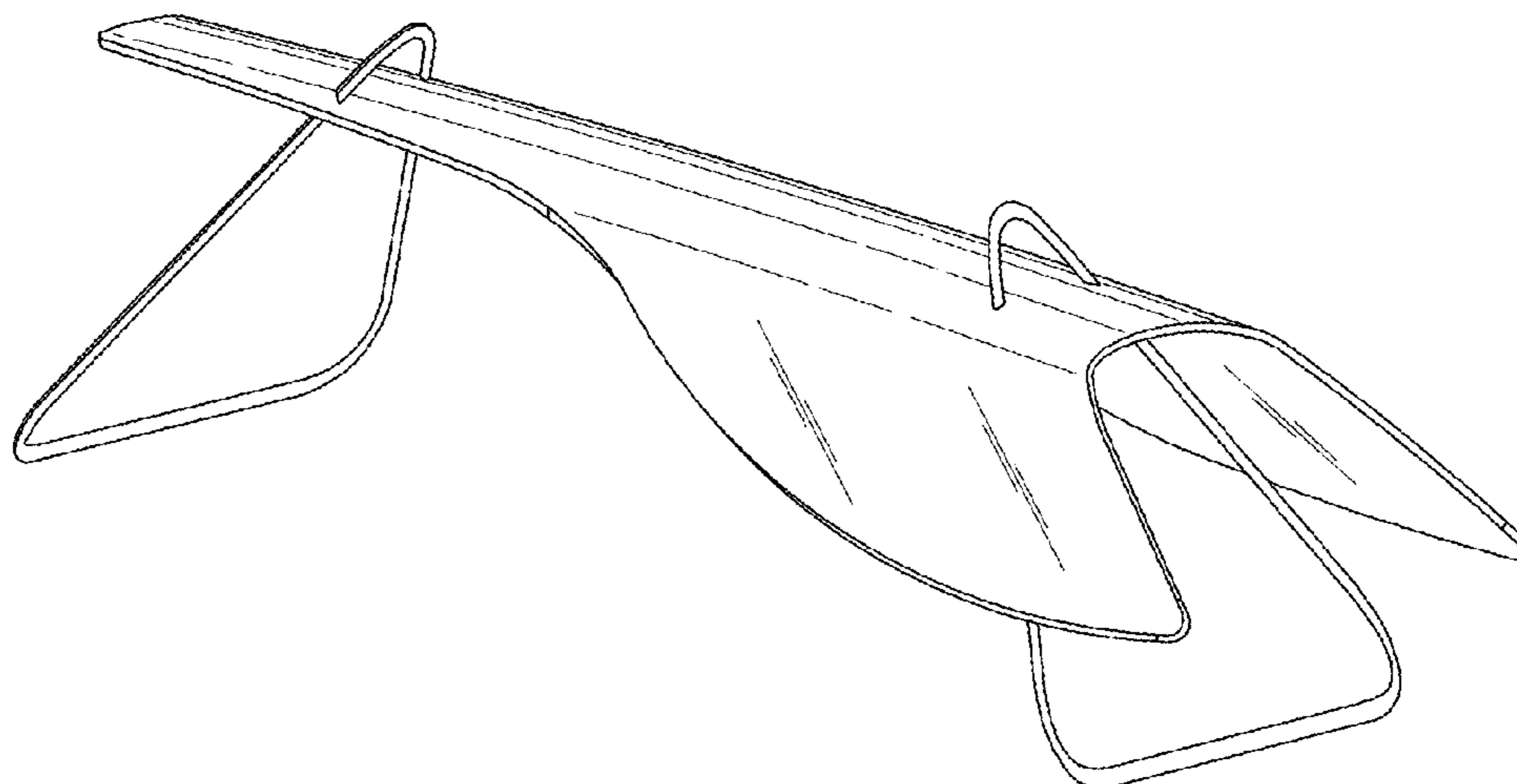
(57) **CLAIM**

The ornamental design for a table, as shown.

**DESCRIPTION**

FIG. 1 is an isometric view of a table in accordance with the present design;  
FIG. 2 is a top plan view thereof;  
FIG. 3 is a bottom plan view thereof;  
FIG. 4 is a front elevation view thereof;  
FIG. 5 is a rear elevation view thereof;  
FIG. 6 is a right side elevation view thereof; and,  
FIG. 7 is a left side elevation view thereof.

**1 Claim, 2 Drawing Sheets**



(56)

References Cited

OTHER PUBLICATIONS

U.S. PATENT DOCUMENTS

D650,609 S \* 12/2011 Walker ..... D6/688  
 D670,640 S 11/2012 Reichman et al.  
 D687,348 S 8/2013 Nurnberger  
 D689,812 S 9/2013 Reichman et al.  
 D692,800 S 11/2013 Wiltshire  
 D704,102 S 5/2014 Nurnberger  
 D704,601 S 5/2014 Nurnberger  
 D726,079 S 4/2015 Reichman et al.  
 D727,804 S 4/2015 Nurnberger  
 D729,556 S \* 5/2015 Sampietro ..... D6/691  
 D730,777 S 6/2015 Nurnberger  
 D739,165 S \* 9/2015 Momeny ..... D6/650  
 D739,789 S 9/2015 Payne  
 D740,725 S 10/2015 Payne  
 D758,247 S 6/2016 Nurnberger et al.  
 D766,474 S 9/2016 Holgate et al.  
 D772,128 S 11/2016 Platt  
 D773,220 S \* 12/2016 Soland ..... D6/708  
 D774,950 S 12/2016 Holgate et al.  
 D774,995 S 12/2016 Holgate et al.  
 D777,070 S 1/2017 Nurnberger  
 D778,790 S 2/2017 Nurnberger  
 D780,632 S 3/2017 Nurnberger  
 D780,633 S 3/2017 Nurnburger et al.  
 D780,634 S 3/2017 Nurnburger et al.  
 D780,636 S 3/2017 Kahn  
 D785,525 S 5/2017 Nurnburger  
 D786,155 S 5/2017 Holgate et al.  
 D786,744 S 5/2017 Nurnberger et al.  
 D790,893 S \* 7/2017 Grossinger ..... D6/691  
 D796,404 S 9/2017 Nurnburger  
 D800,619 S 10/2017 Platt  
 D801,558 S 10/2017 Nurnburger et al.

U.S. Appl. No. 29/542,940, filed Oct. 19, 2015, Kahn.  
 U.S. Appl. No. 29/573,909, filed Aug. 10, 2016, Cooper.  
 U.S. Appl. No. 29/582,156, filed Oct. 25, 2016, Earley.  
 U.S. Appl. No. 29/582,165, filed Oct. 25, 2016, Earley.  
 U.S. Appl. No. 29/582,170, filed Oct. 25, 2016, Earley.  
 U.S. Appl. No. 29/582,592, filed Oct. 28, 2016, Reichman et al.  
 U.S. Appl. No. 29/582,268, filed Nov. 3, 2016, Nurnberger et al.  
 U.S. Appl. No. 29/583,272, filed Nov. 3, 2016, Nurnberger et al.  
 U.S. Appl. No. 29/583,278, filed Nov. 3, 2016, Nurnberger et al.  
 U.S. Appl. No. 29/584,625, filed Nov. 16, 2016, Nurnberger et al.  
 U.S. Appl. No. 29/584,629, filed Nov. 16, 2016, Nurnberger et al.  
 U.S. Appl. No. 29/589,582, filed Jan. 3, 2017, Nurnberger et al.  
 U.S. Appl. No. 29/589,583, filed Jan. 3, 2017, Nurnberger et al.  
 U.S. Appl. No. 29/589,586, filed Jan. 3, 2017, Nurnberger et al.  
 U.S. Appl. No. 29/589,618, filed Jan. 3, 2017, Nurnberger et al.  
 U.S. Appl. No. 29/589,621, filed Jan. 3, 2017, Nurnberger et al.  
 U.S. Appl. No. 29/595,005, filed Feb. 24, 2017, Nurnberger et al.  
 U.S. Appl. No. 29/616,003, filed Sep. 1, 2017, Re et al.  
 U.S. Appl. No. 29/616,006, filed Sep. 1, 2017, Re et al.  
 U.S. Appl. No. 29/616,008, filed Sep. 1, 2017, Re et al.  
 U.S. Appl. No. 29/616,010, filed Sep. 1, 2017, Re et al.  
 U.S. Appl. No. 29/616,014, filed Sep. 1, 2017, Re et al.  
 U.S. Appl. No. 29/621,813, filed Oct. 11, 2017, Nurnberger et al.  
 U.S. Appl. No. 29/621,815, filed Oct. 11, 2017, Nurnberger et al.  
 U.S. Appl. No. 29/626,411, filed Nov. 16, 2017, Nurnberger et al.  
 U.S. Appl. No. 29/626,415, filed Nov. 16, 2017, Nurnberger et al.  
 U.S. Appl. No. 29/626,801, filed Nov. 20, 2017, Hill et al.  
 U.S. Appl. No. 29/626,419, filed Nov. 16, 2017, Hill et al.  
 U.S. Appl. No. 29/631,883, filed Jan. 3, 2018, Hill et al.  
 U.S. Appl. No. 29/631,887, filed Jan. 3, 2018, Hill et al.  
 Aston Martin 2013, "Aston Martin Centenary Celebration Programme," 2013; 204 pages.  
 1976 and 1987 Aston Martin Lagonda, [online], [site visited Jul. 24, 2014], Available from Internet, <URL: <http://www.astonmartin.com/heritage/past-models/lagonda>>, 2 pages.

\* cited by examiner

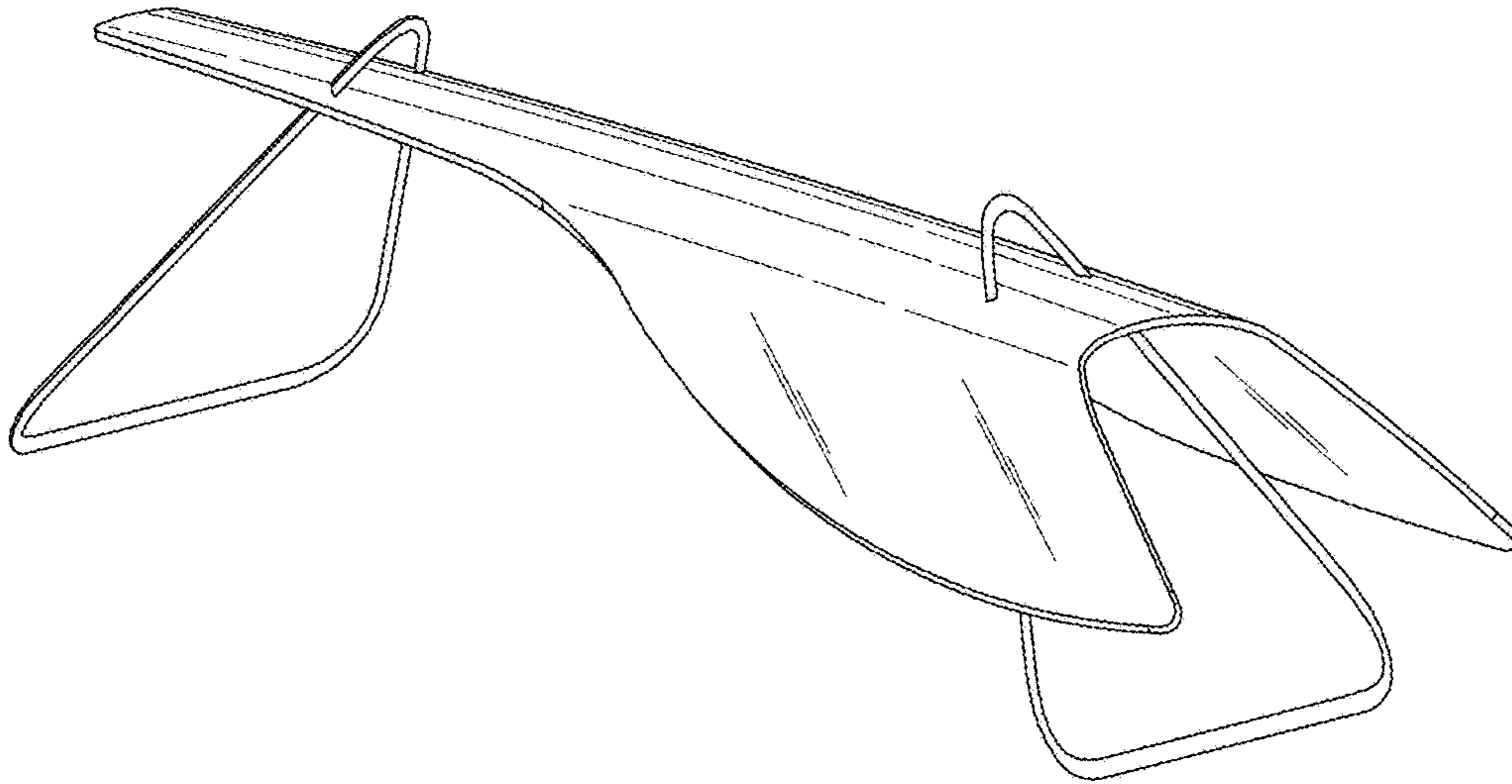


Fig. 1

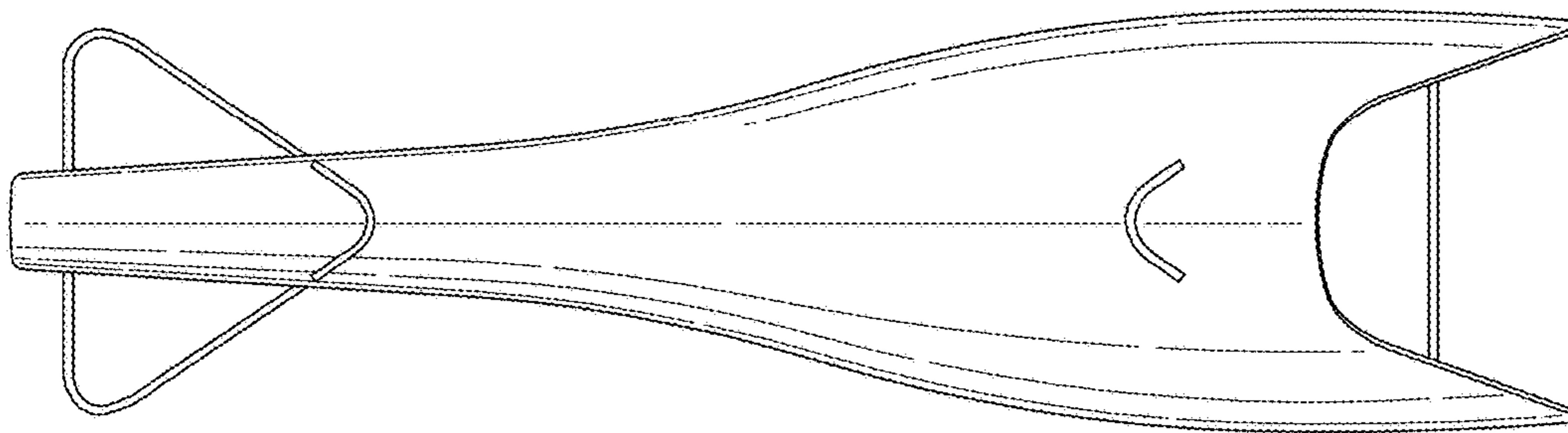


Fig. 2

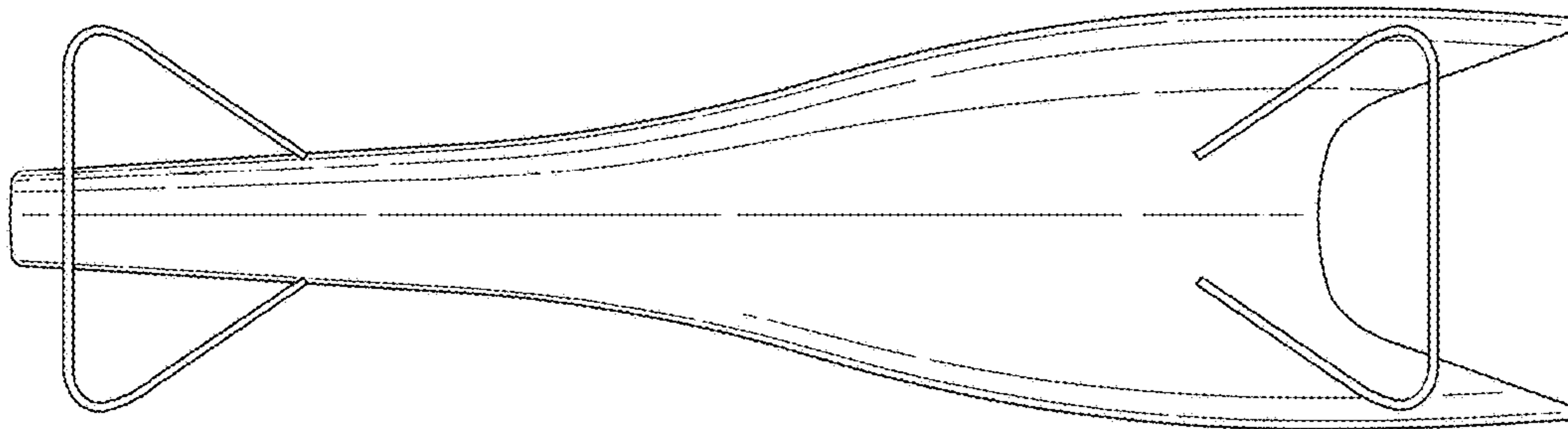


Fig. 3

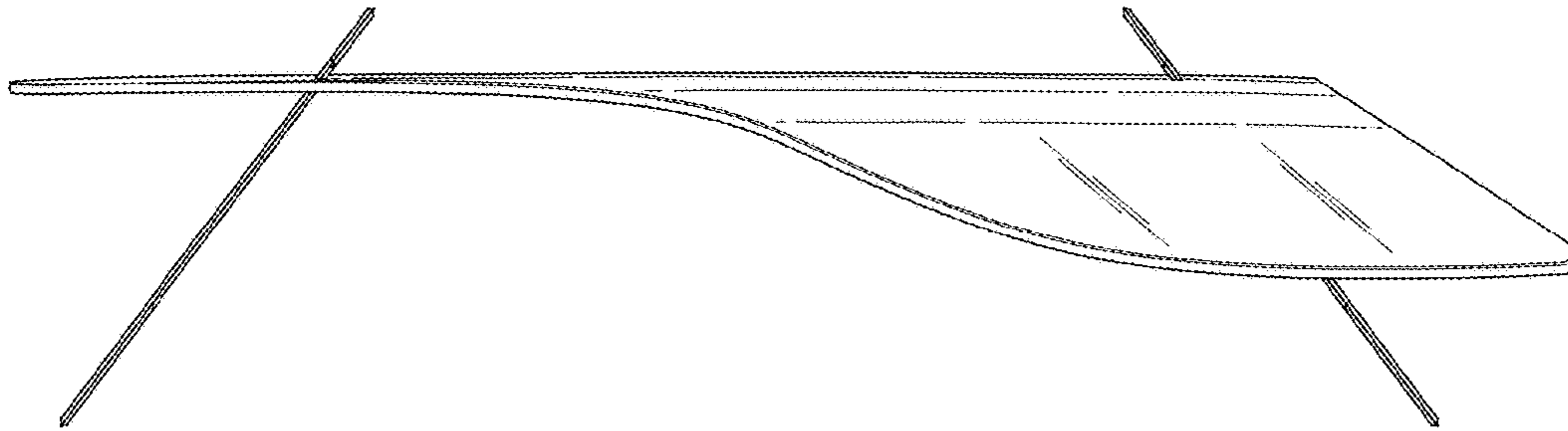


Fig. 4

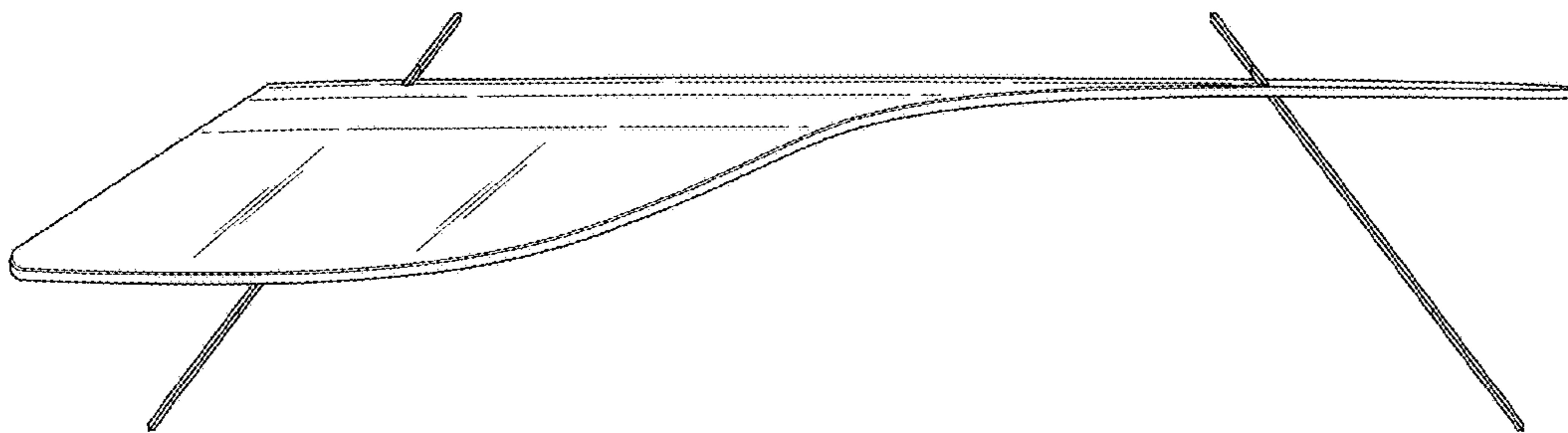


Fig. 5

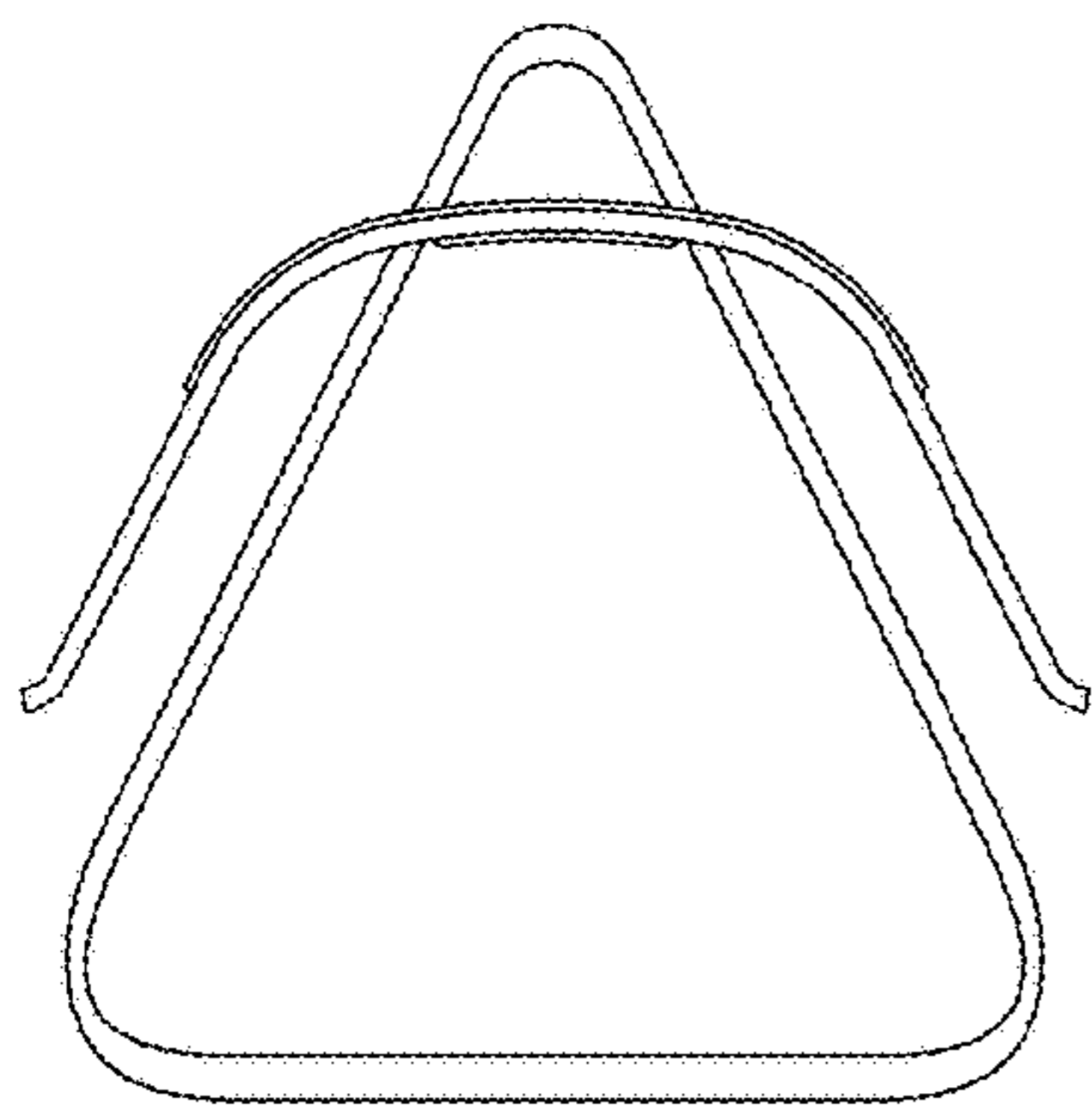


Fig. 6

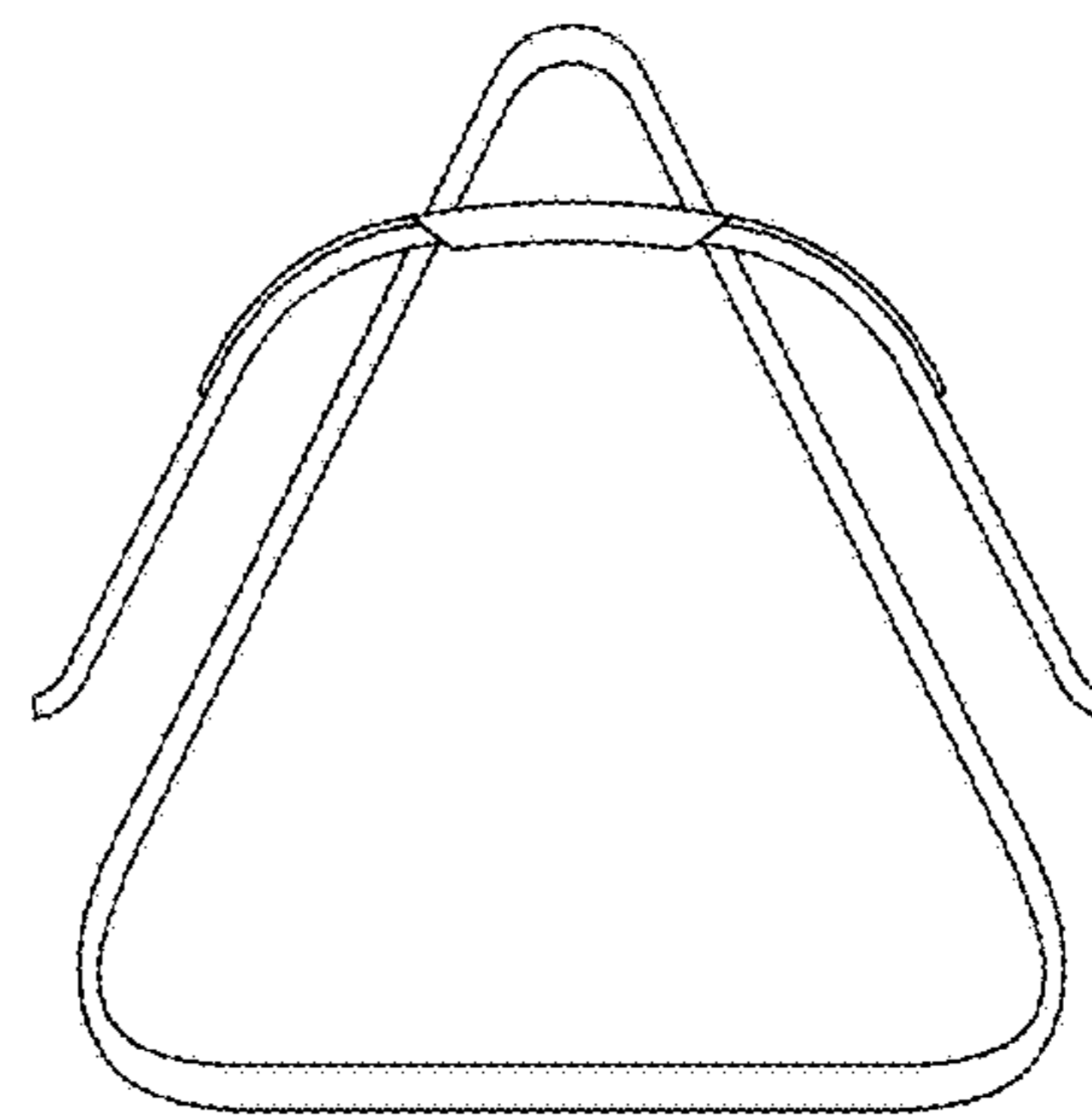


Fig. 7