



US00D833186S

(12) **United States Design Patent** (10) **Patent No.:** **US D833,186 S**
Xing (45) **Date of Patent:** **** Nov. 13, 2018**

(54) **WORKBENCH**

D564,780 S * 3/2008 Reeves D6/684
D571,121 S * 6/2008 Radermacher D15/127
D584,421 S * 1/2009 Wise D25/67

(71) Applicant: **Yangzhou Higher Machinery Co., Ltd.**, Jiangsu (CN)

(Continued)

(72) Inventor: **Guiyun Xing**, Jiangsu (CN)

Primary Examiner — John Windmuller

Assistant Examiner — Steven J Czyz

(73) Assignee: **YANGZHOU HIGHER MACHINERY CO., LTD.**, Jiangsu (CN)

(74) *Attorney, Agent, or Firm* — McCormick, Paulding & Huber LLP

(**) Term: **15 Years**

(57) **CLAIM**

The ornamental design for a workbench, substantially as shown and described.

(21) Appl. No.: **29/591,817**

DESCRIPTION

(22) Filed: **Jan. 24, 2017**

(30) **Foreign Application Priority Data**

Oct. 21, 2016 (CN) 2016 3 0516314

(51) **LOC (11) Cl.** **06-03**

(52) **U.S. Cl.**
USPC **D6/684**

(58) **Field of Classification Search**
USPC D6/641, 648.1, 672, 684, 713; D25/67
CPC B25H 1/02; B25H 1/04; B25H 1/14
See application file for complete search history.

FIG. 1 is a top view of a workbench comprising a new, original and ornamental design;
FIG. 2 is a front view thereof;
FIG. 3 is a rear view thereof;
FIG. 4 is a bottom view thereof;
FIG. 5 is a left side view thereof;
FIG. 6 is a right side view thereof;
FIG. 7 is a top, front and left side perspective view thereof;
FIG. 8 is a front view of the workbench shown with environment for ease of disclosure;
FIG. 9 is a top, front and left perspective view thereof;
FIG. 10 is a top, front and left side perspective view of the working surface shown separately from the workbench for ease of disclosure;
FIG. 11 is a top view thereof;
FIG. 12 is a front view thereof;
FIG. 13 is a rear view thereof;
FIG. 14 is a bottom view thereof;
FIG. 15 is a left view thereof; and,
FIG. 16 is a right view thereof.

(56) **References Cited**

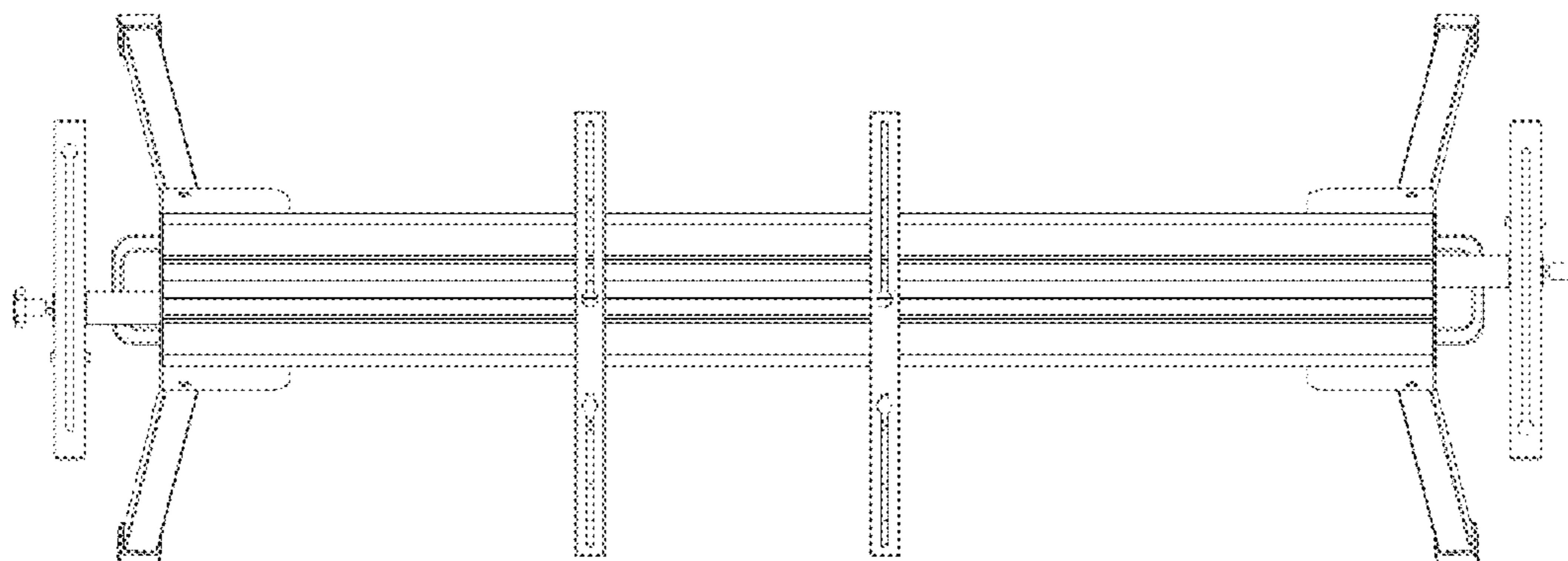
U.S. PATENT DOCUMENTS

4,561,336 A * 12/1985 Davis B23Q 1/03
144/286.1
4,617,869 A * 10/1986 Denomey A47B 3/08
108/121
5,303,755 A * 4/1994 Poling B25H 1/0021
144/1.1
D351,847 S * 10/1994 Noniewicz D15/141
D357,140 S * 4/1995 Hollinger D6/684
D379,236 S * 5/1997 Sheftel D25/67
D471,287 S * 3/2003 Sommerville D25/67
D472,981 S * 4/2003 Sommerville D25/67

A portion of the workbench is shown broken away to indicate that it has no particular length beyond what is shown.

The broken lines depict portions of the article that form no part of the claimed design.

1 Claim, 16 Drawing Sheets



(56)

References Cited

U.S. PATENT DOCUMENTS

D614,887	S *	5/2010	Reeves	D6/684
D634,858	S *	3/2011	Landau	D25/67
D638,141	S *	5/2011	Busschaert	D25/67
D686,854	S *	7/2013	Wise	D6/684
D709,626	S *	7/2014	Wise	D25/67
D721,442	S *	1/2015	Wang	D25/67
D783,319	S *	4/2017	Udagawa	D6/672
D786,587	S *	5/2017	Udagawa	D6/672
D787,240	S *	5/2017	Udagawa	D6/672
9,682,470	B2 *	6/2017	Helm	B25H 1/04
2004/0016600	A1 *	1/2004	Austin	E04G 1/20 182/186.6
2010/0051137	A1 *	3/2010	Layton	B25H 1/06 144/286.5
2013/0062823	A1 *	3/2013	Boyd	B25H 1/04 269/17
2013/0285302	A1 *	10/2013	Helm	B25H 1/04 269/17

* cited by examiner

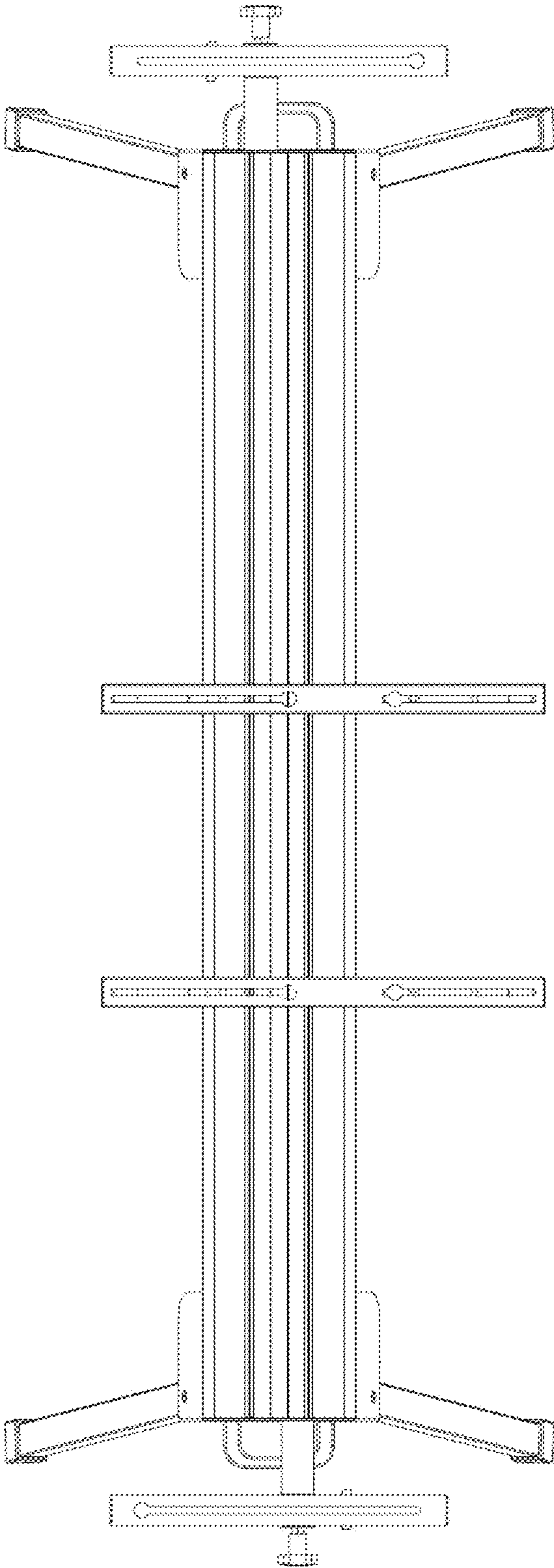


FIG. 1

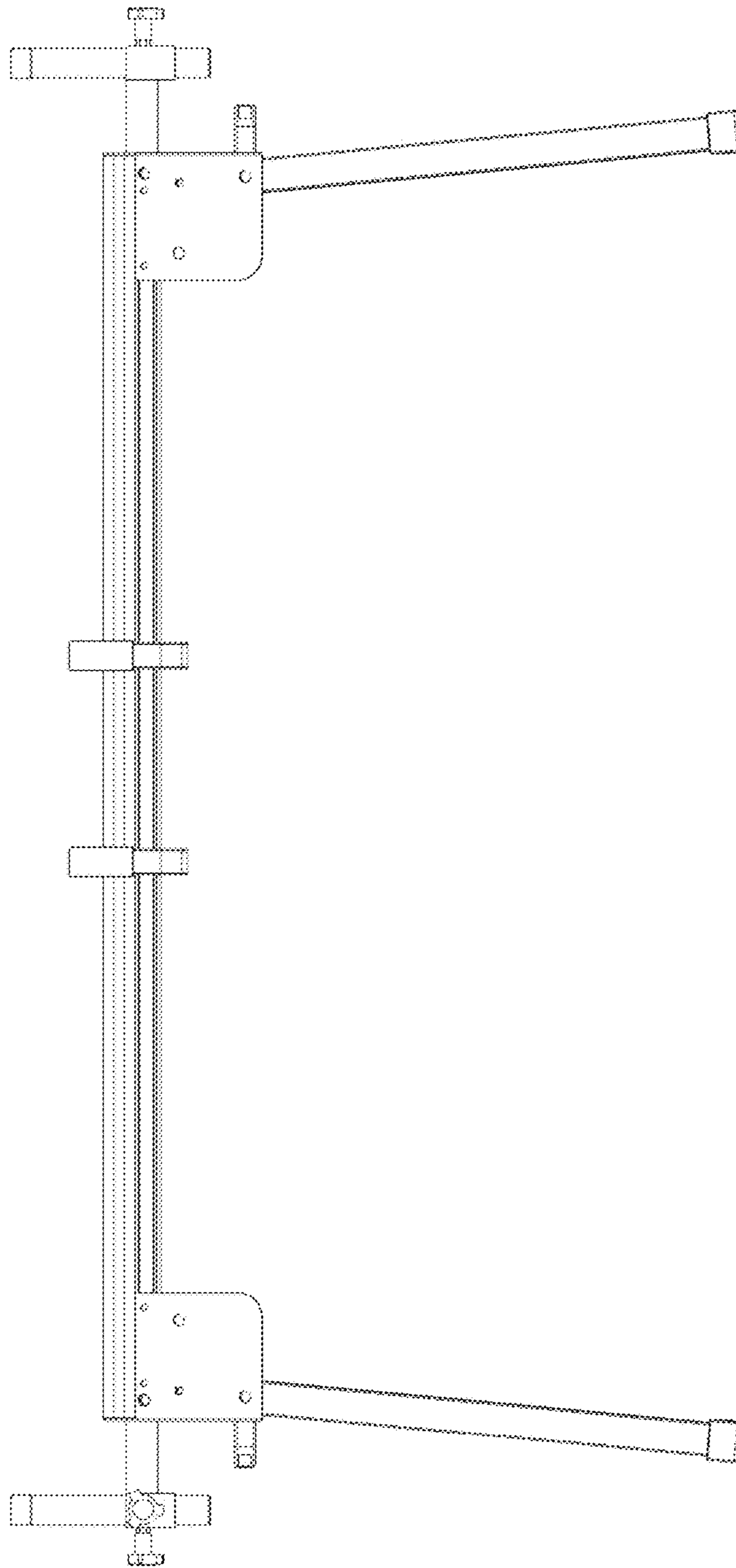


FIG. 2

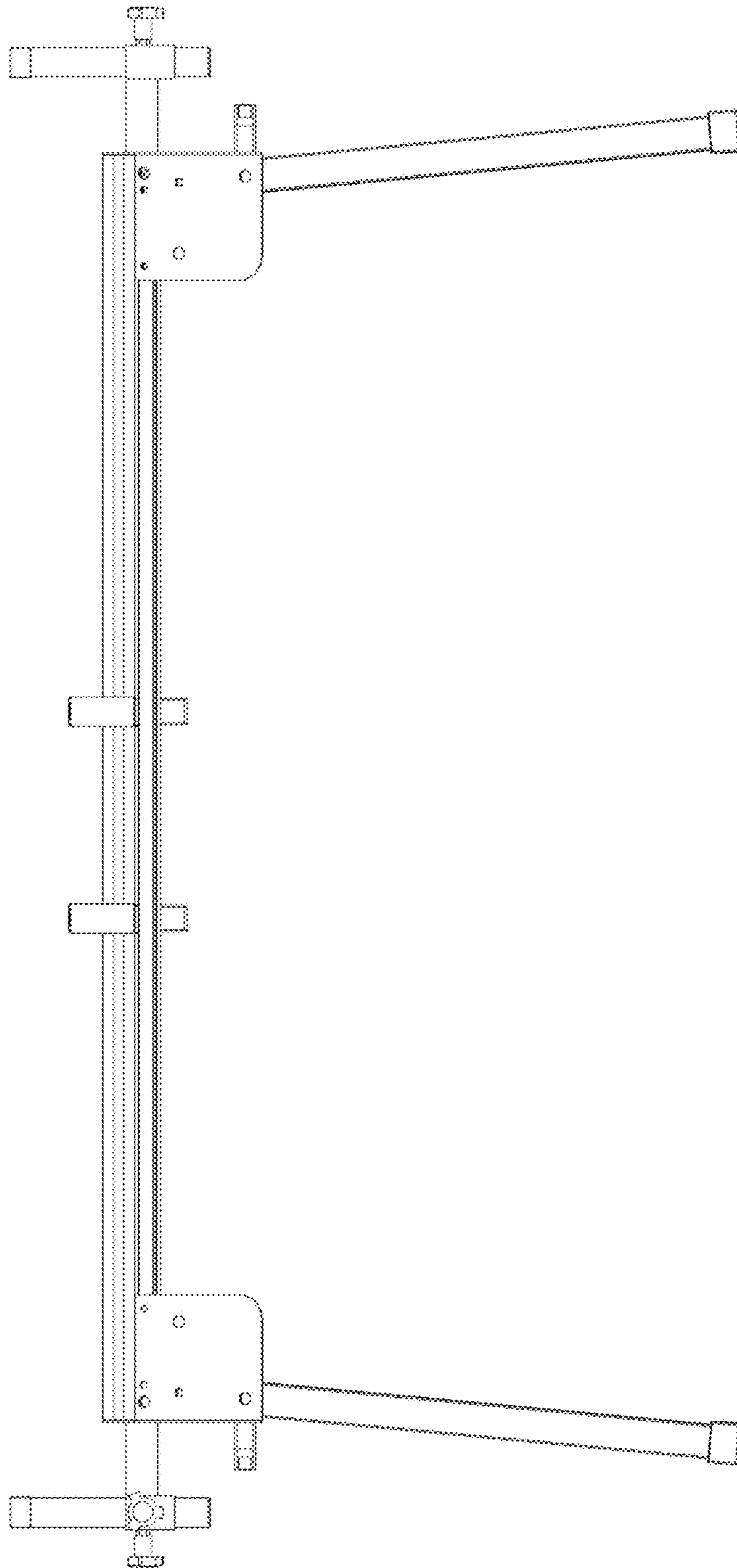


FIG. 3

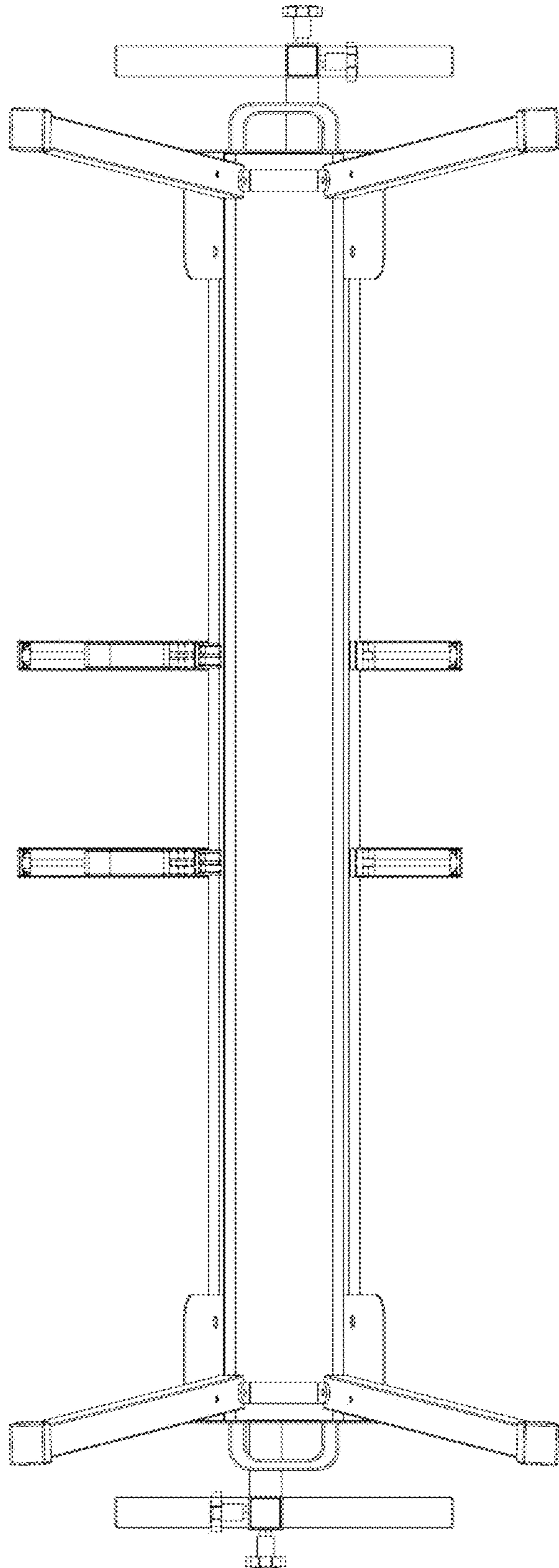


FIG. 4

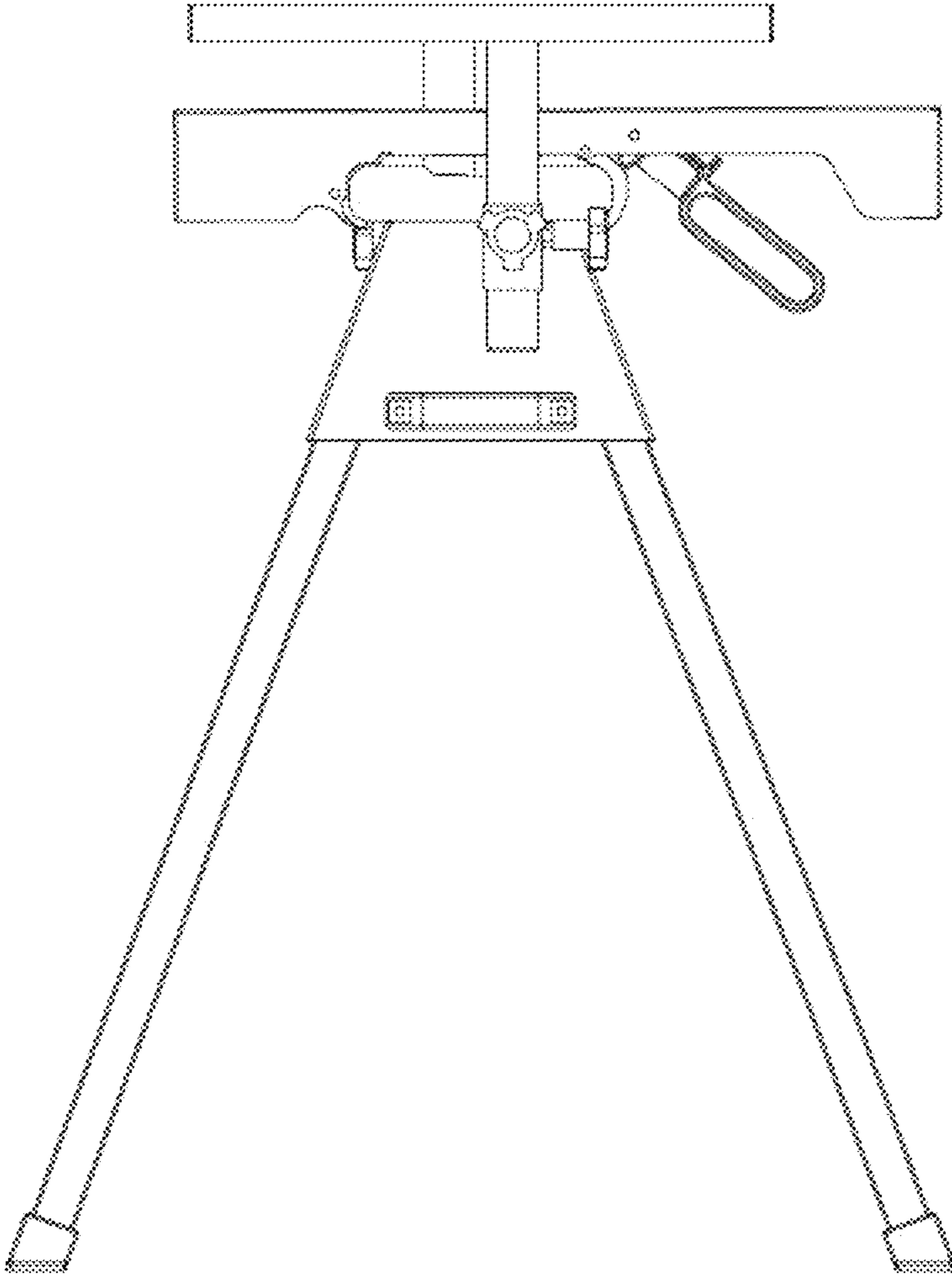


FIG. 5

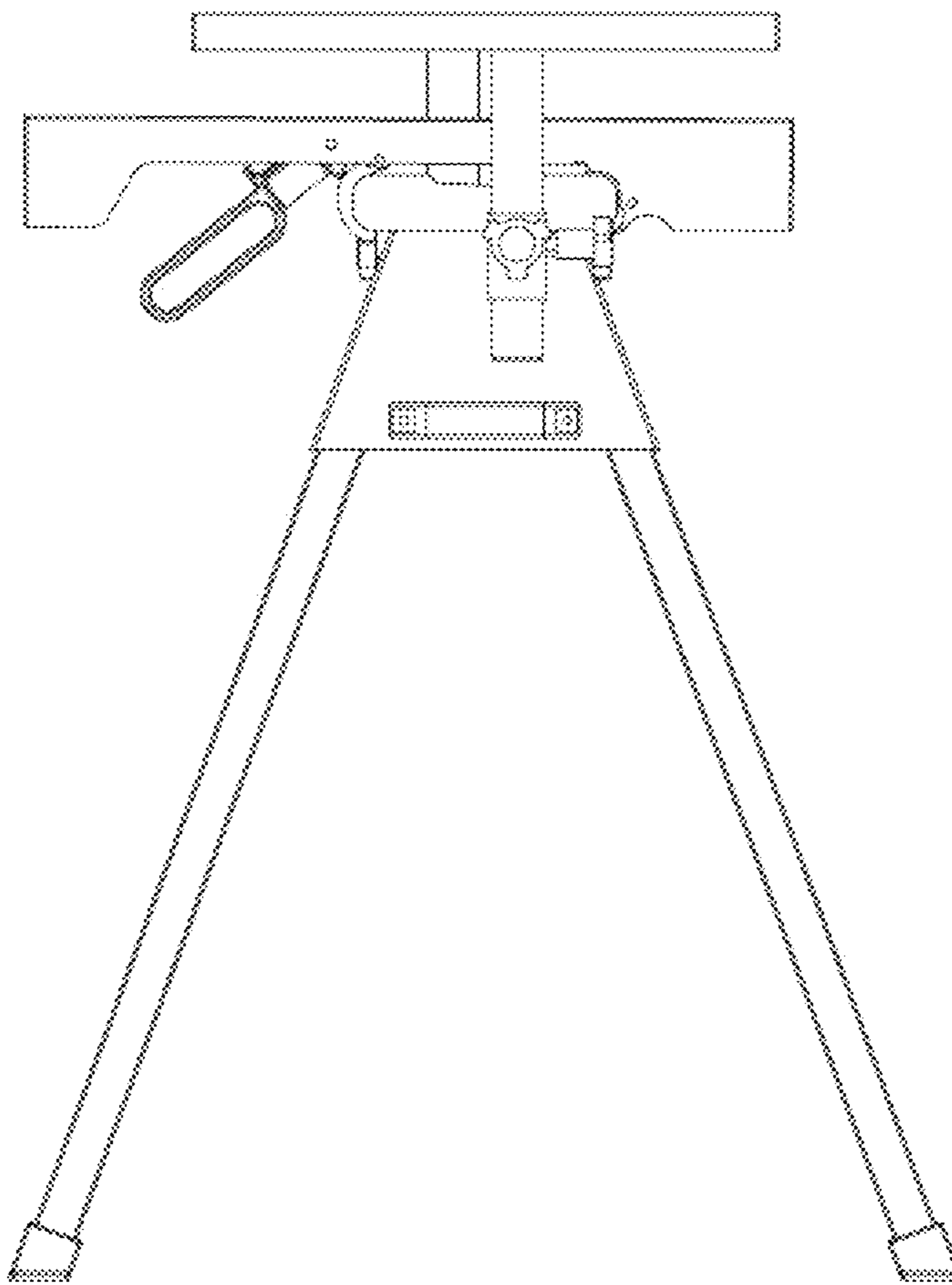


FIG. 6

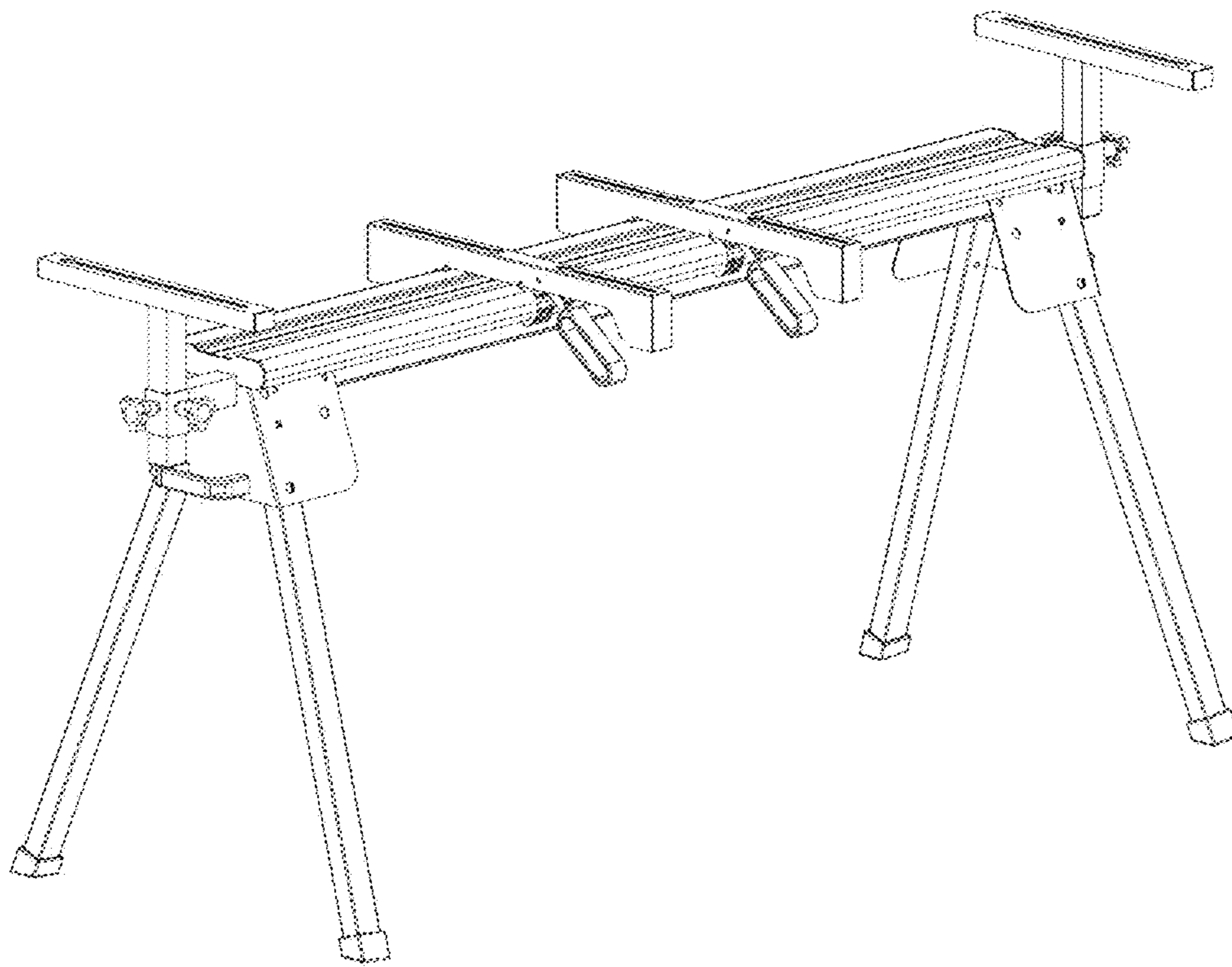


FIG. 7

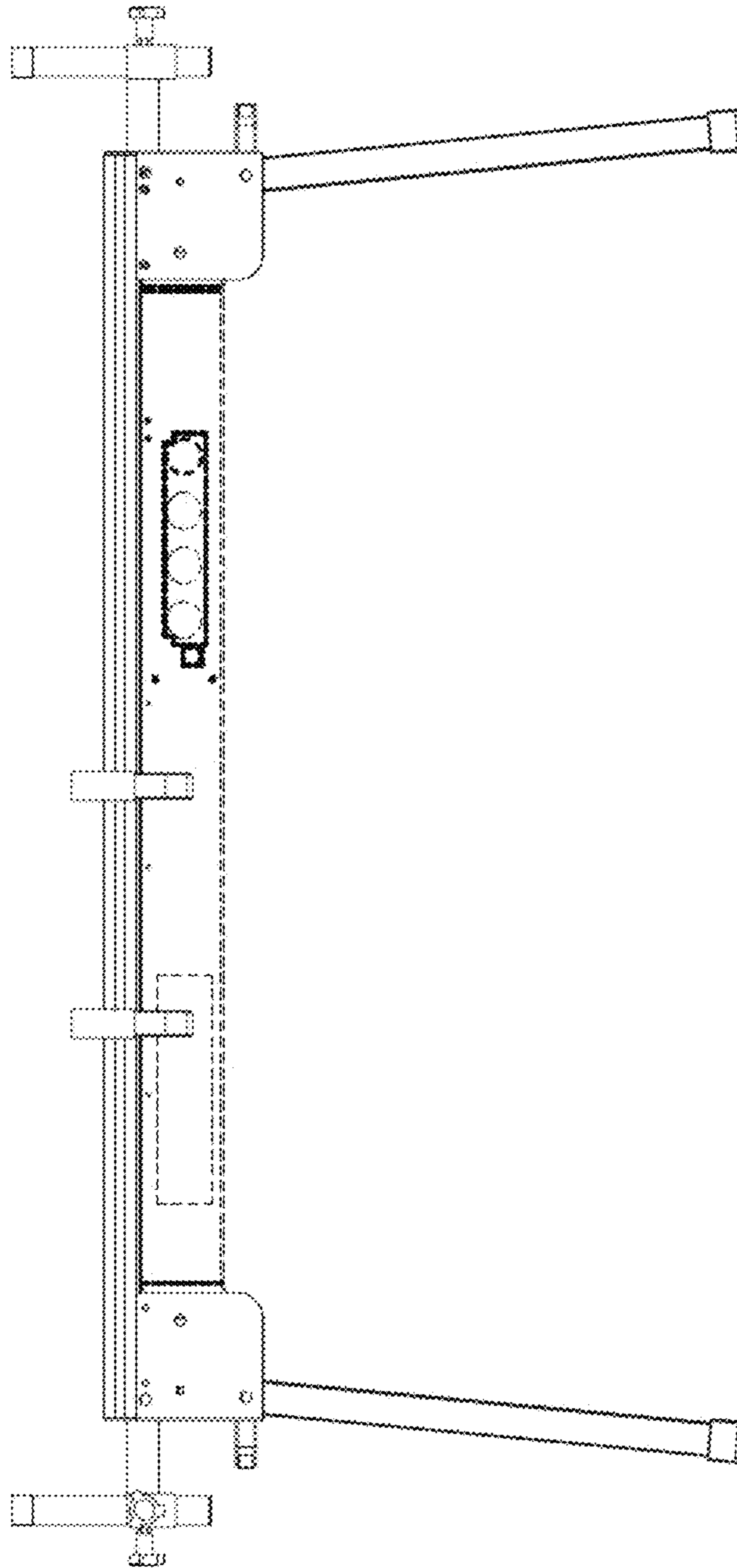


FIG. 8

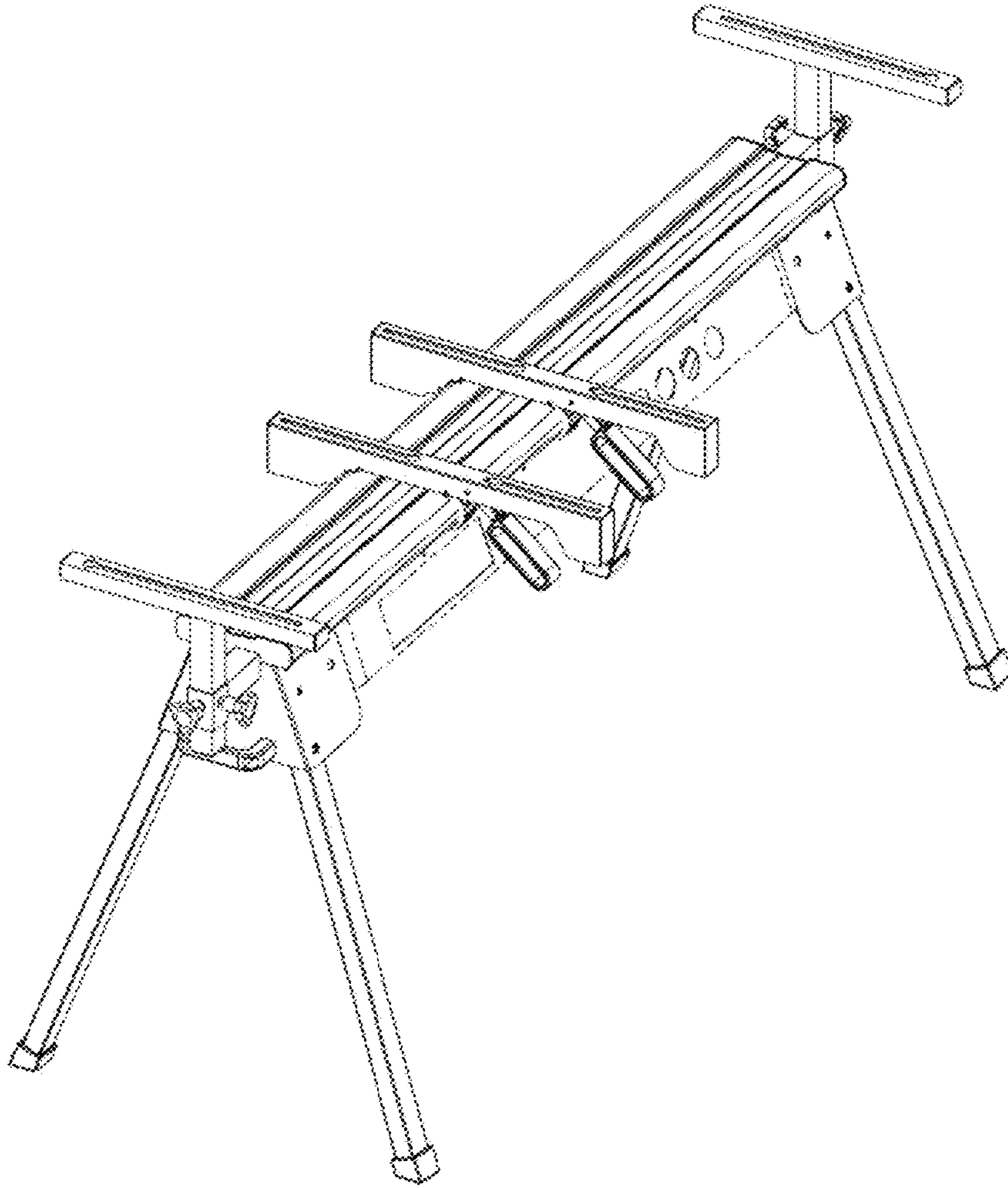


FIG. 9

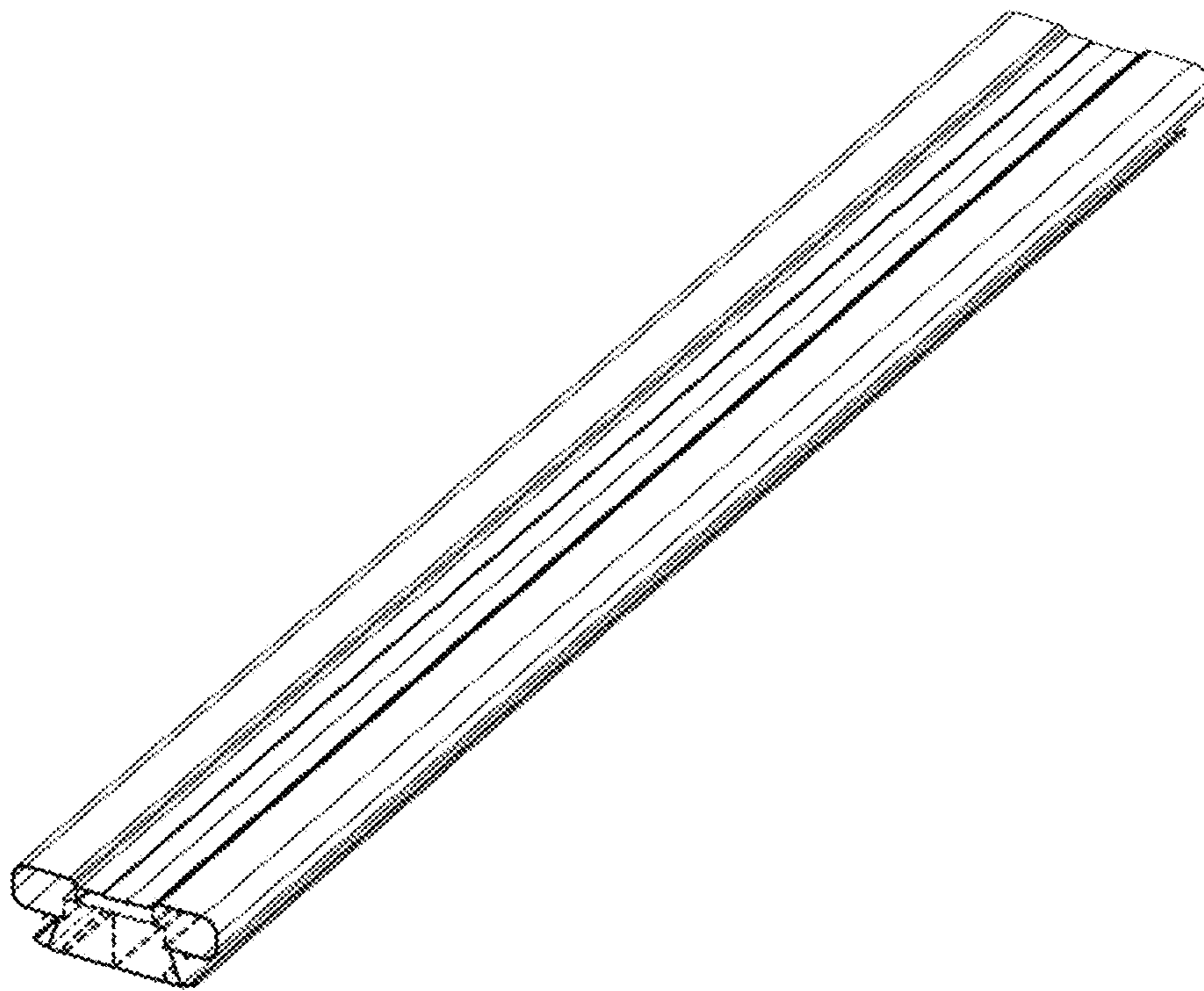


FIG. 10

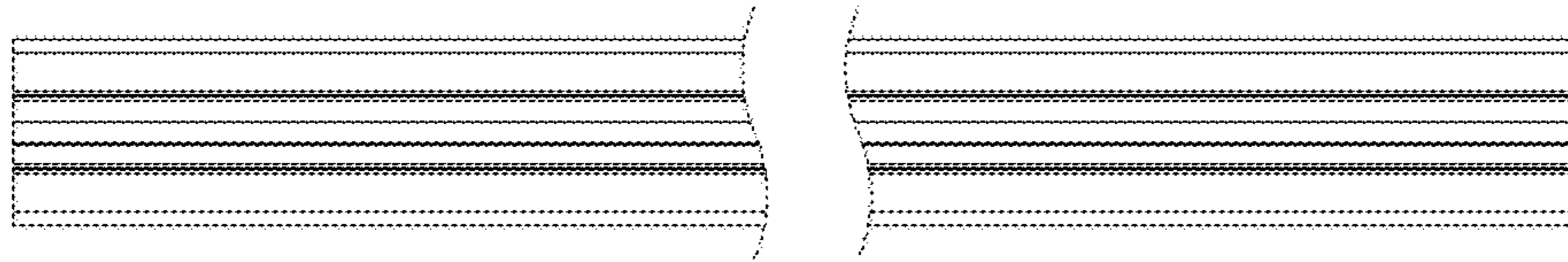


FIG. 11



FIG. 12



FIG. 13

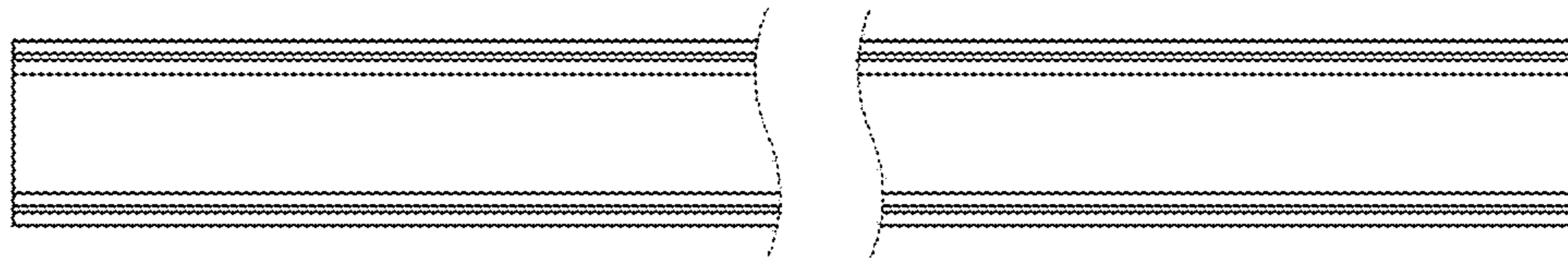


FIG. 14

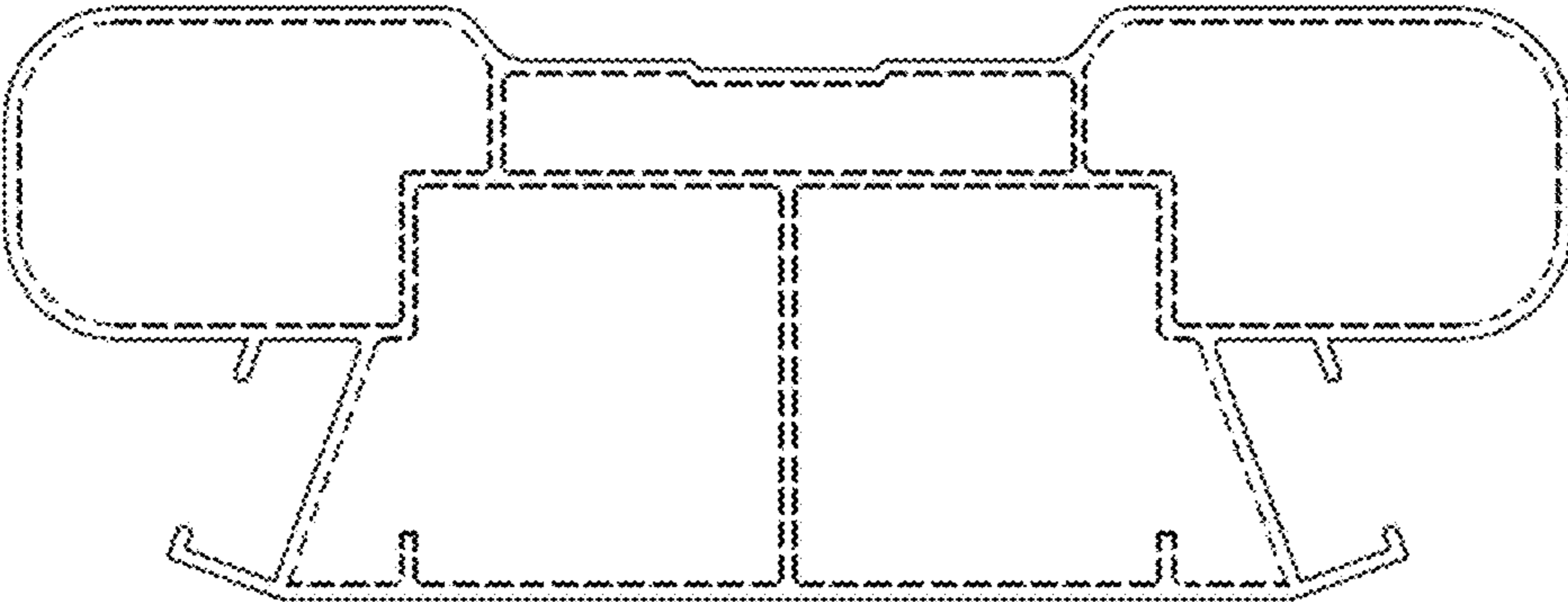


FIG. 15

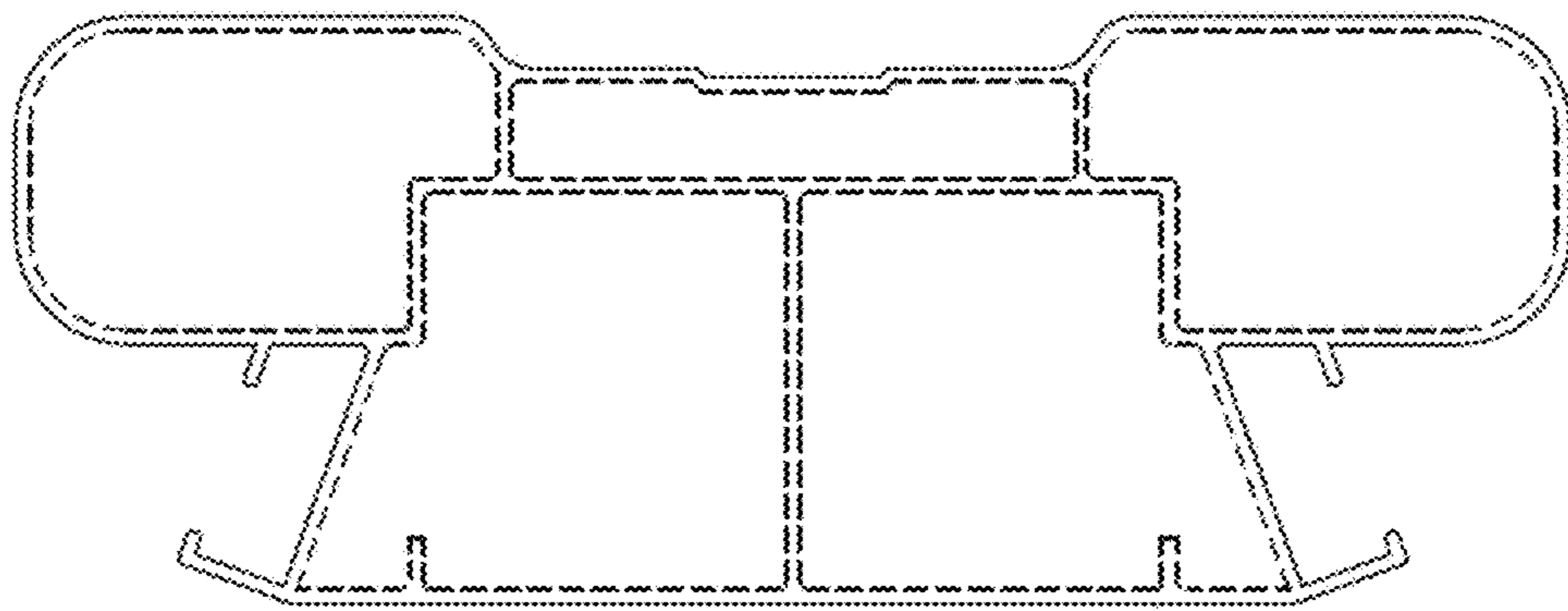


FIG. 16