



US00D833182S

(12) **United States Design Patent**
Yamamoto

(10) **Patent No.:** **US D833,182 S**

(45) **Date of Patent:** **** Nov. 13, 2018**

(54) **TABLE**

2200/0052; A47B 2200/0053; A47B
2200/0054; A47B 2200/0055

(71) Applicant: **OKAMURA CORPORATION**,
Yokohama-shi, Kanagawa (JP)

See application file for complete search history.

(72) Inventor: **Takayuki Yamamoto**, Yokohama (JP)

(56) **References Cited**

(73) Assignee: **Okamura Corporation**, Yokohama-shi,
Kanagawa (JP)

U.S. PATENT DOCUMENTS

(**) Term: **15 Years**

D98,365	S	*	1/1936	Pumphrey	D6/691.5
D101,100	S	*	9/1936	Bate	D6/655
D113,215	S	*	2/1939	Birkmeyer	D6/691.5
D113,250	S	*	2/1939	Altorfer	D6/691.5
D147,414	S	*	9/1947	Maynard et al.	D6/406.6
D242,969	S	*	1/1977	Carter	D6/691.2
5,400,721	A	*	3/1995	Greene	A47B 9/02 108/147
5,941,182	A	*	8/1999	Greene	A47B 9/12 108/147
6,026,755	A	*	2/2000	Long	A47B 9/02 108/147

(21) Appl. No.: **29/560,645**

(22) Filed: **Apr. 8, 2016**

(30) **Foreign Application Priority Data**

(Continued)

Oct. 19, 2015 (JP) 2015-023010

(51) **LOC (11) Cl.** **06-03**

Primary Examiner — Mary Ann Calabrese

(52) **U.S. Cl.**
USPC **D6/656.17**

(74) *Attorney, Agent, or Firm* — Sughrue Mion, PLLC

(58) **Field of Classification Search**
USPC D6/641, 653.14, 653.21, 654.14, 655.14,
D6/655.21, 656.16, 685, 687, 688.13,
D6/690, 691, 691.2, 691.3, 691.5, 691.7,
D6/691.8, 656.17
CPC .. A47B 1/04; A47B 7/00; A47B 13/00; A47B
13/02; A47B 2200/00; A47B 2200/002;
A47B 2200/11; A47B 13/08; A47B
2013/026; A47B 2013/027; A47B
2013/028; A47B 3/0917; A47B 21/02;
A47B 21/06; A47B 9/00; A47B 9/02;
A47B 9/04; A47B 9/10; A47B 9/12;
A47B 9/20; A47B 2009/003; A47B
2009/006; A47B 2200/0016; A47B
2200/0026; A47B 2200/0027; A47B
2200/0033; A47B 2200/0035; A47B
2200/0039; A47B 2200/0042; A47B
2200/005; A47B 2200/0051; A47B

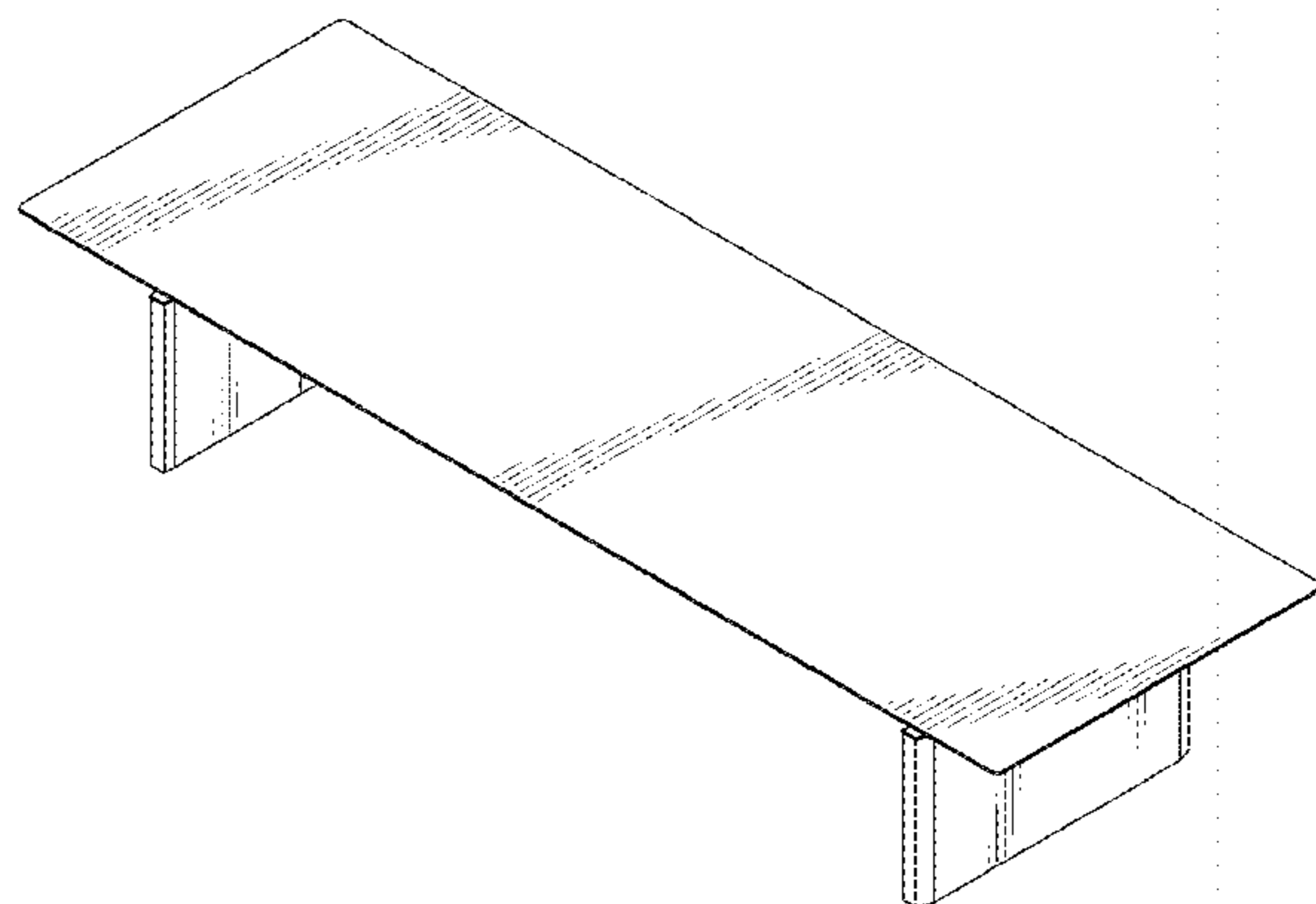
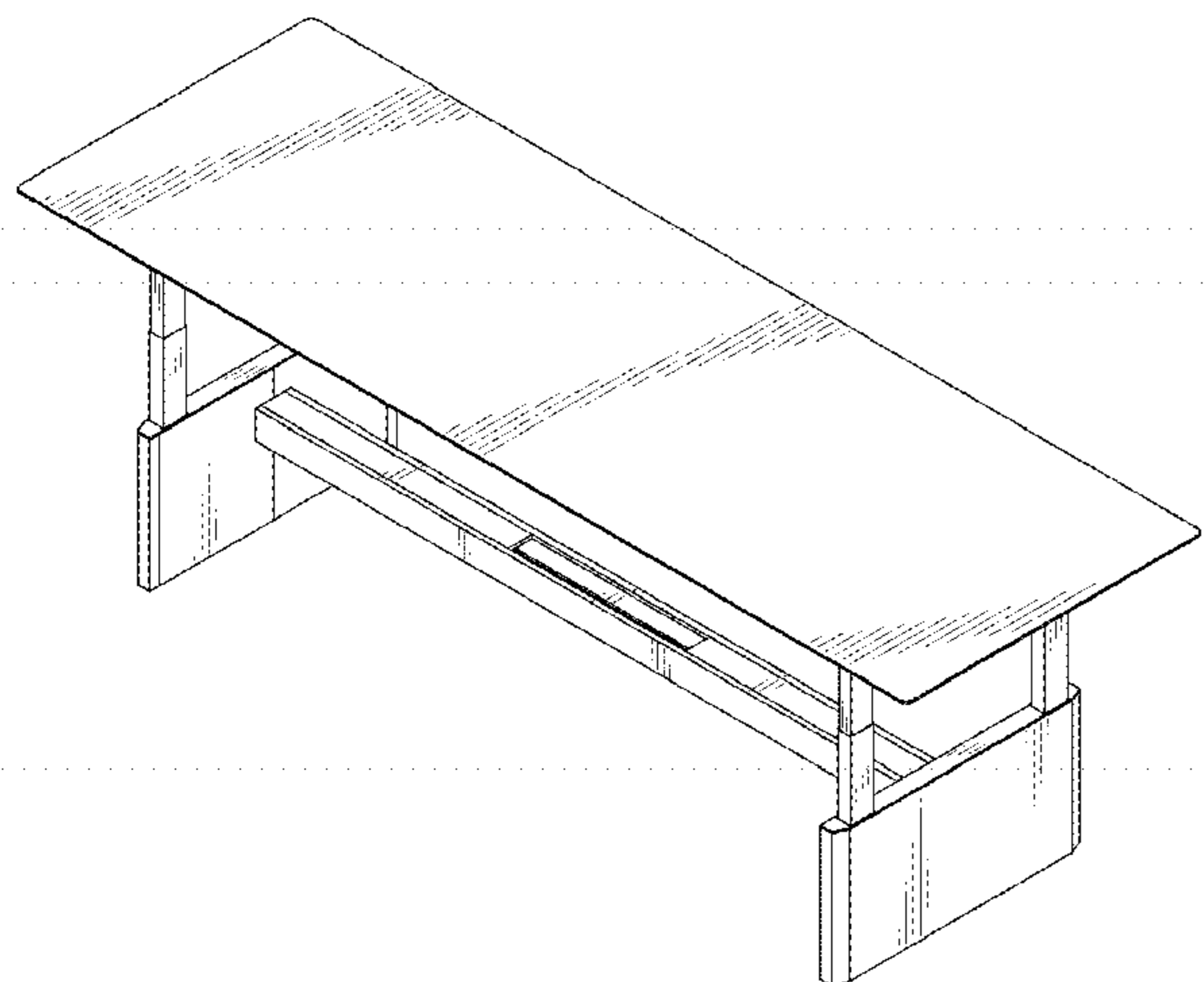
(57) **CLAIM**

The ornamental design for a table, as shown and described.

DESCRIPTION

FIG. 1 is a perspective view of a table.
FIG. 2 is a front elevation view thereof. A rear elevation view is identical to the front elevation view.
FIG. 3 is a right side elevation view thereof. A left side elevation view is identical to the right side elevation view.
FIG. 4 is a top plan view thereof.
FIG. 5 is a bottom plan view thereof.
FIG. 6 is a cross-sectional view taken along the line 6-6 in FIG. 2.
FIG. 7 is a cross-sectional view taken along the line 7-7 in FIG. 2, which omits the internal structure; and,
FIG. 8 is a perspective view showing the tabletop in an alternate lowered position of use.

1 Claim, 8 Drawing Sheets



(56)

References Cited

U.S. PATENT DOCUMENTS

D757,471 S * 5/2016 Domingo A47B 9/02
D6/691
D786,594 S * 5/2017 Yamamoto D6/702

* cited by examiner

FIG. 1

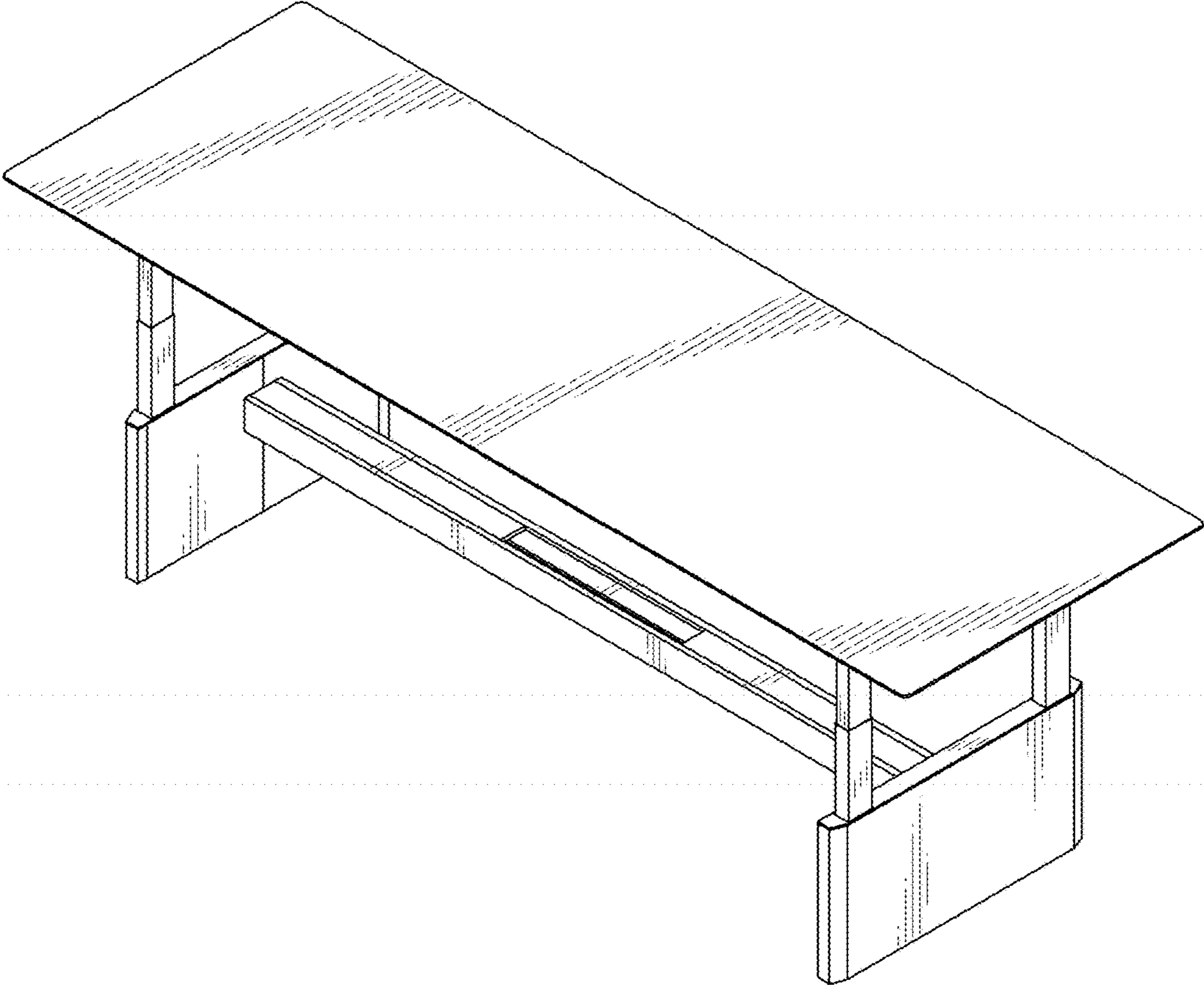


FIG. 2

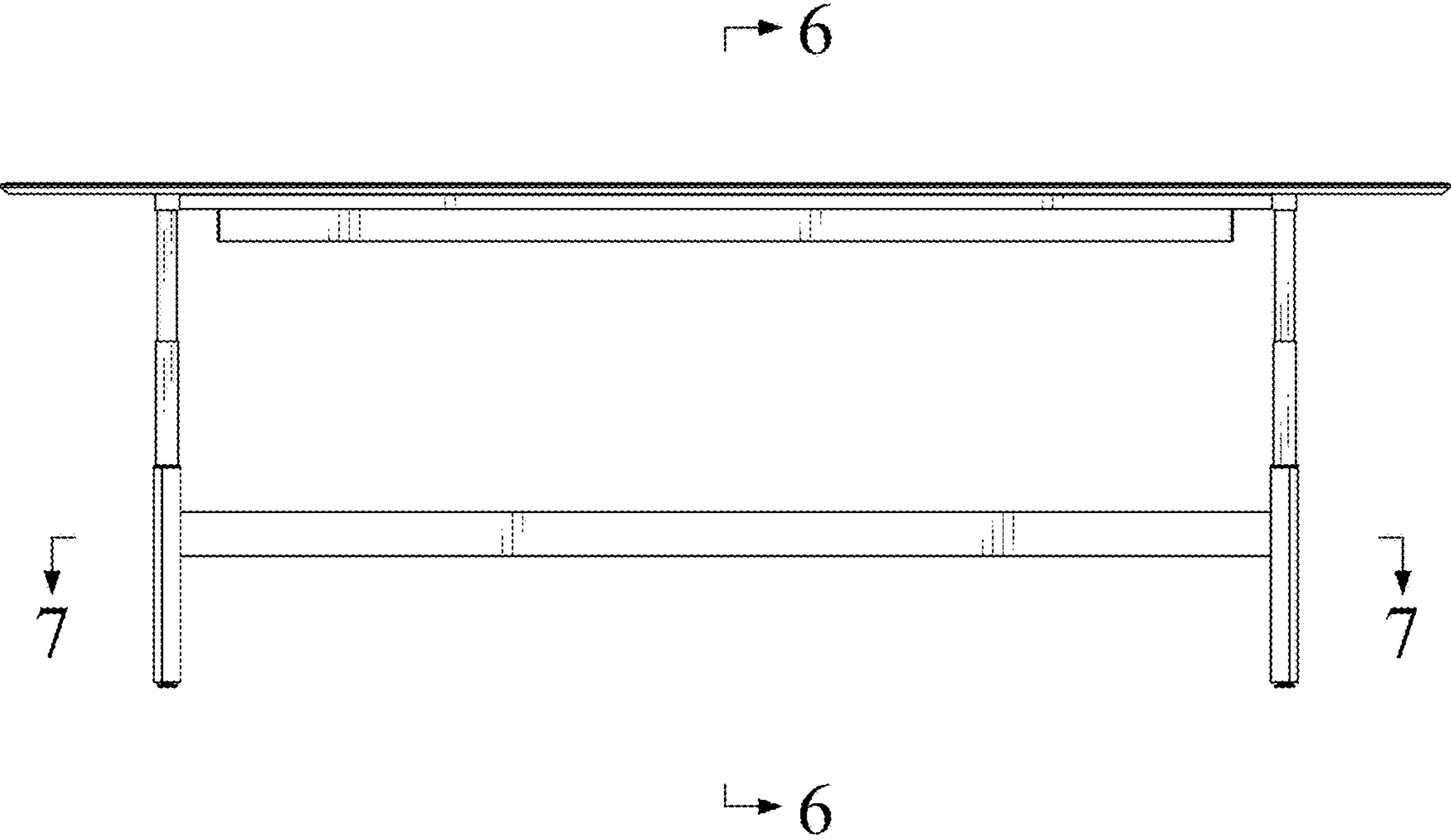


FIG. 3

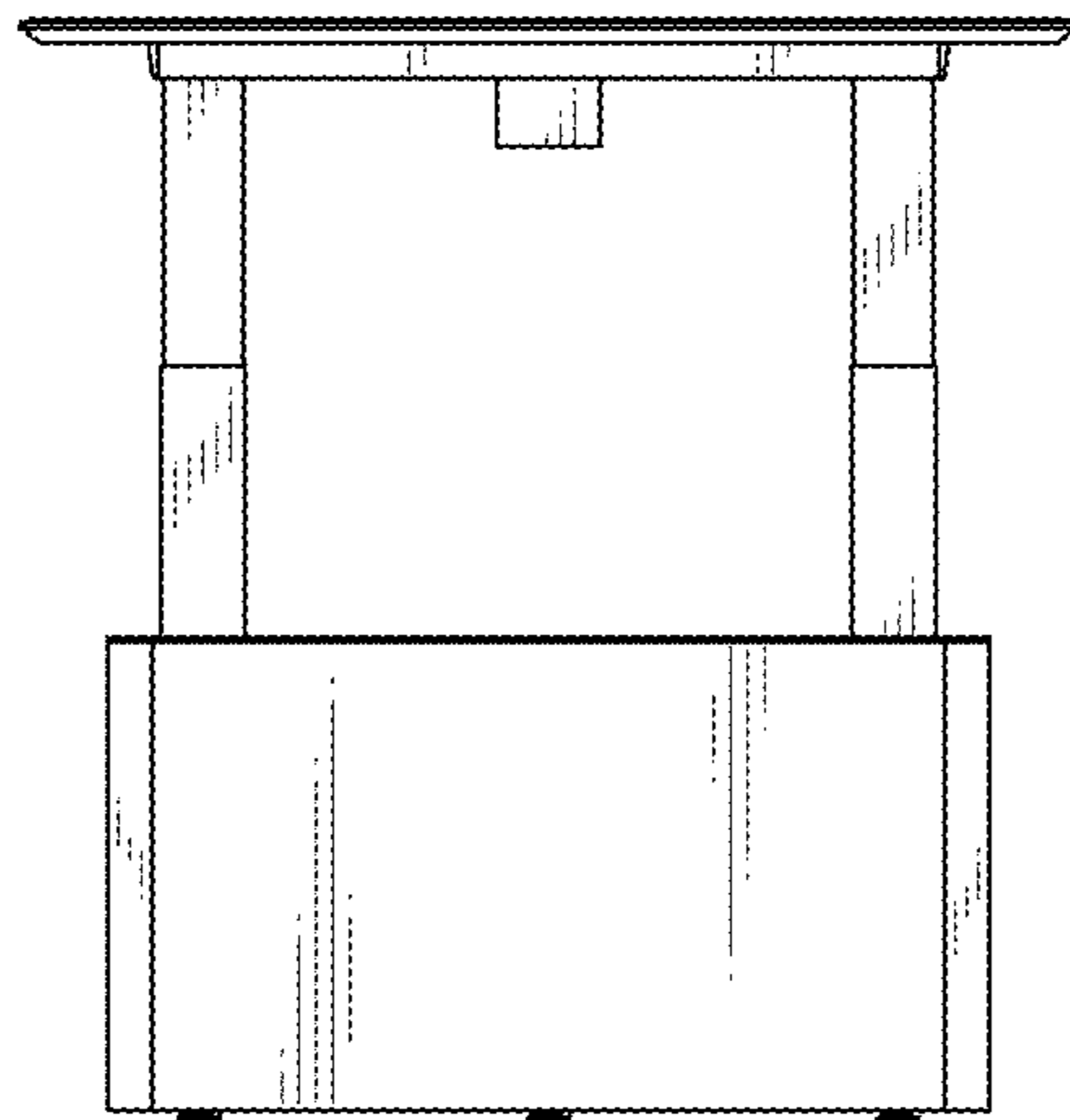


FIG. 4

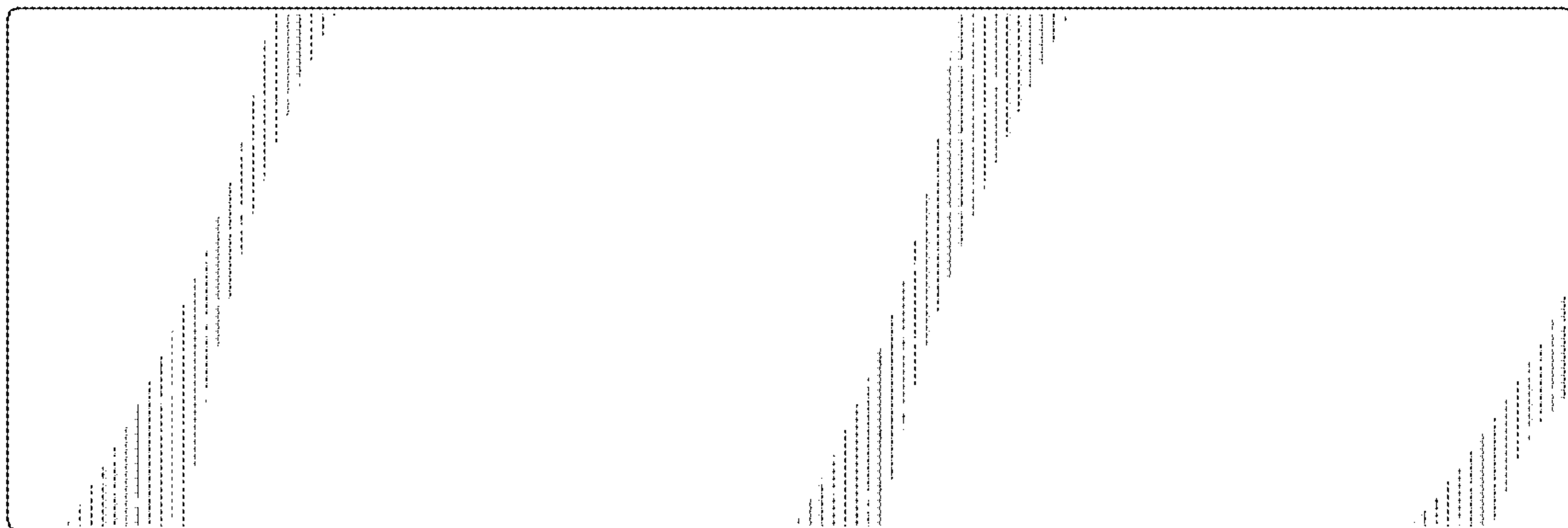


FIG. 5

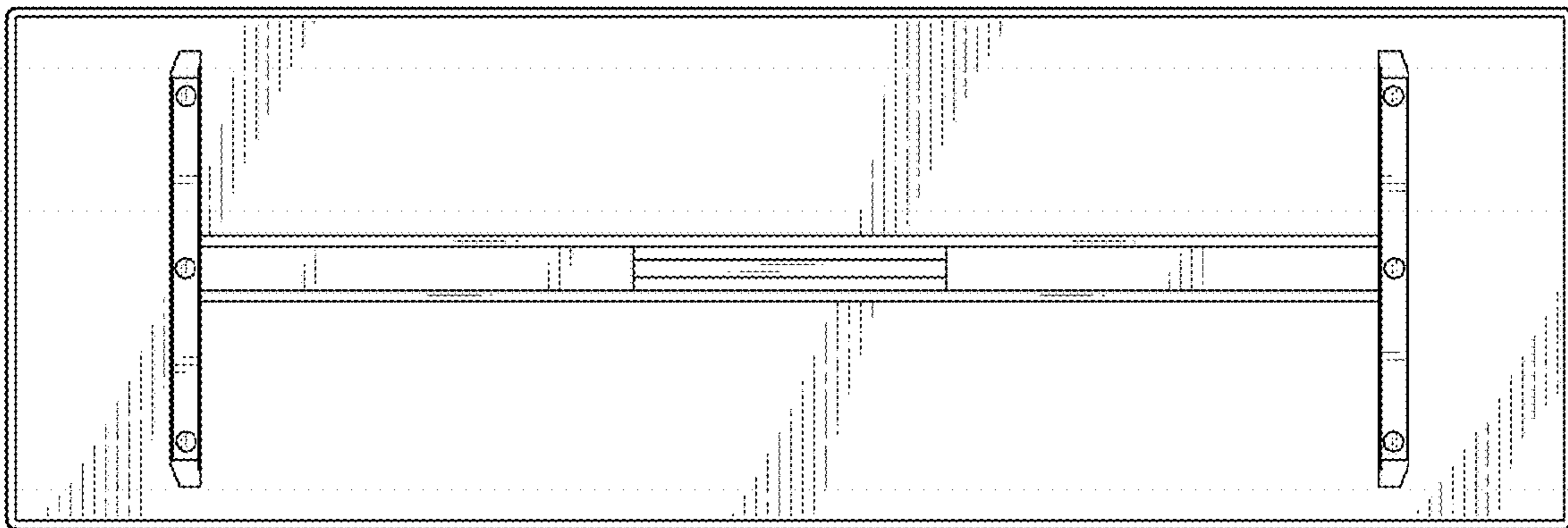


FIG. 6

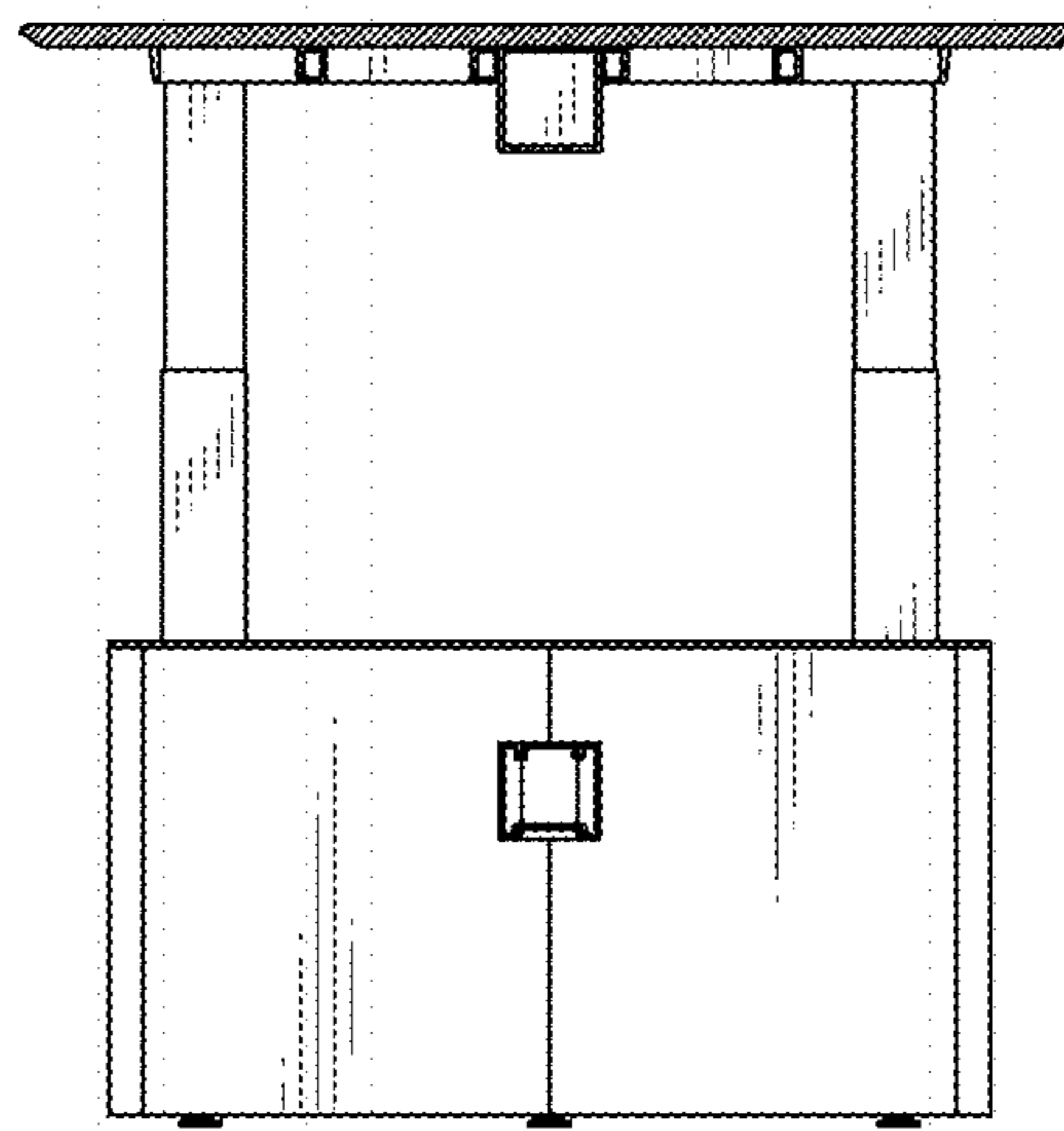


FIG. 7

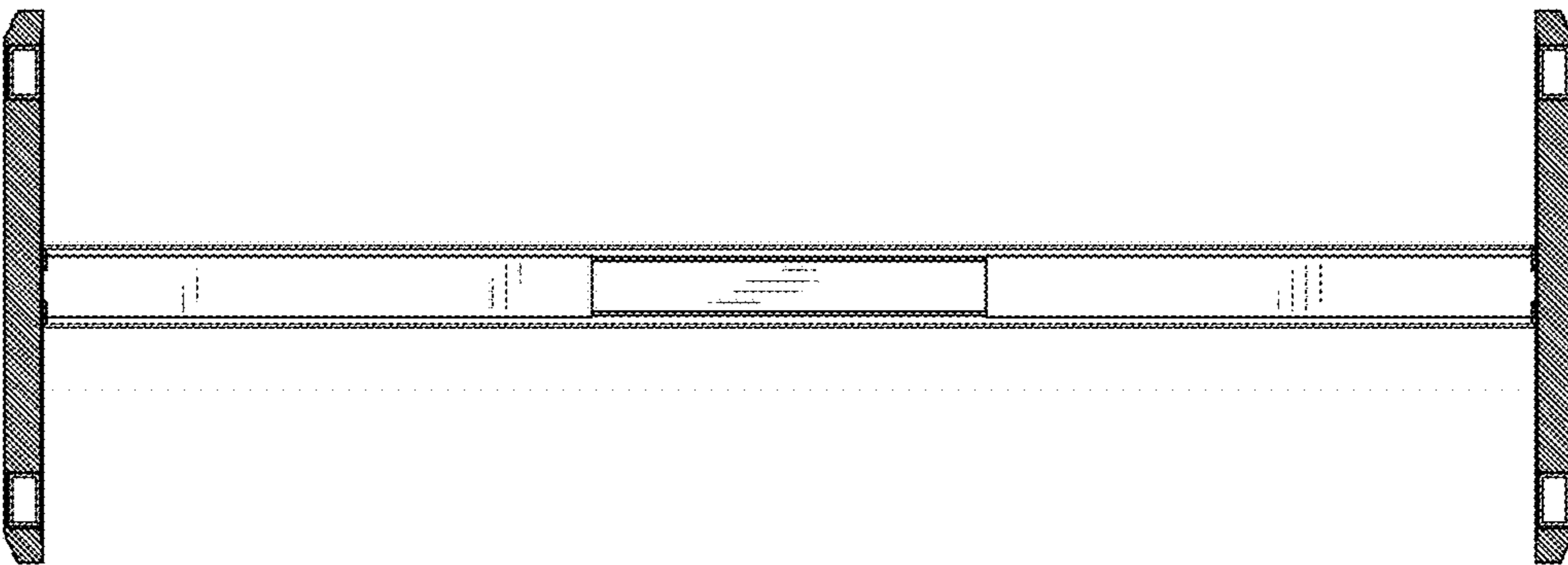


FIG. 8

