



US00D833179S

(12) **United States Design Patent** (10) **Patent No.:** **US D833,179 S**  
**Desodt et al.** (45) **Date of Patent:** **\*\* Nov. 13, 2018**

(54) **MATTRESS COVER**

FOREIGN PATENT DOCUMENTS

(71) Applicant: **Sealy Technology, LLC**, Trinity, NC (US)

AU 201710516 3/2017  
AU 201711499 4/2017

(Continued)

(72) Inventors: **Hortense Desodt**, San Francisco, CA (US); **Fabian Herrmann**, Tiburon, CA (US); **Martin John Kay**, San Francisco, CA (US); **Camilla Georgina Franklin**, New Orleans, LA (US)

OTHER PUBLICATIONS

Stearns & Foster Estate Collection, [online], [site visited Mar. 28, 2018]. Available from Internet, <URL: <http://www.houstondiscountmattresses.com/stearns-foster-estate-basic.html>> (Year: 2018).\*

(Continued)

(73) Assignee: **Sealy Technology, LLC**, Trinity, NC (US)

(\*\*) Term: **15 Years**

*Primary Examiner* — Eric L Goodman

*Assistant Examiner* — Sanjeev Paul

(21) Appl. No.: **29/622,646**

(74) *Attorney, Agent, or Firm* — Middleton Reutlinger

(22) Filed: **Oct. 18, 2017**

(57) **CLAIM**

**Related U.S. Application Data**

The ornamental design for a mattress cover, as shown and described.

(62) Division of application No. 29/572,797, filed on Jul. 29, 2016, now Pat. No. Des. 804,857.

(51) **LOC (11) Cl.** ..... **06-99**

**DESCRIPTION**

(52) **U.S. Cl.**  
USPC ..... **D6/606**

(58) **Field of Classification Search**  
USPC ..... D6/333, 349, 355, 375, 388, 512, 563, D6/564, 595, 596, 601, 604, 611, 707, D6/715, 716, 716.1; D24/183-185, 234; D21/803, 804, 805, 809; 5/401, 420, 5/600, 630, 631, 632, 633, 635, 636, 638,  
(Continued)

FIG. 1 is a front elevational view of the mattress cover of the present invention;  
FIG. 2 is a rear elevational view of the mattress cover of FIG. 1;  
FIG. 3 is a left side elevational view of the mattress cover of FIG. 1;  
FIG. 4 is a right side elevational view of the mattress cover of FIG. 1;  
FIG. 5 is a top view of the mattress cover of FIG. 1;  
FIG. 6 is a bottom view of the mattress cover of FIG. 1; and,  
FIG. 7 is a perspective view of the mattress cover of FIG. 1. The broken lines shown in the drawings are included for the purpose of illustrating unclaimed portions of the mattress cover and form no part of the claimed design.

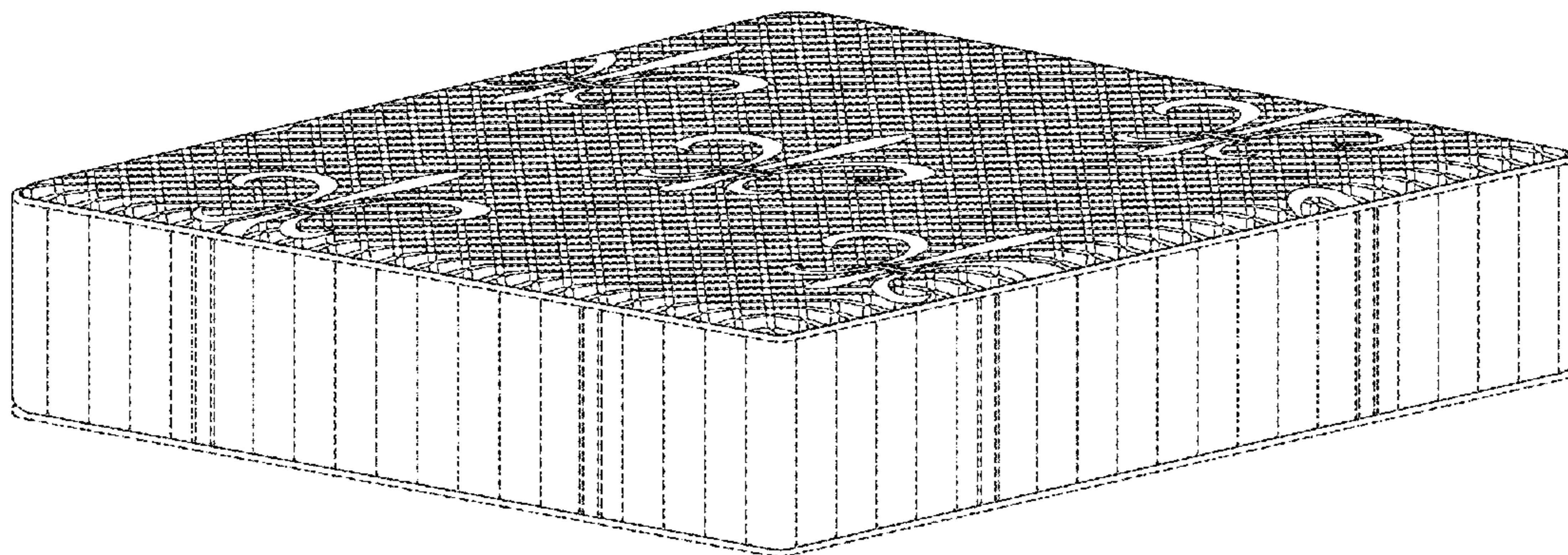
(56) **References Cited**

**U.S. PATENT DOCUMENTS**

D38,427 S \* 1/1907 Pronberger ..... D5/38  
D202,091 S \* 8/1965 Broderick ..... D5/38

(Continued)

**1 Claim, 5 Drawing Sheets**



(58) **Field of Classification Search**

USPC ..... 5/639, 646, 652, 652.1, 655, 703, 730;  
 297/1, 2, 4, 93, 180.11, 195.1, 195.11,  
 297/195.13, 393, 397, 452.12, 452.14,  
 297/452.15, 452.21, 452.24, 452.26,  
 297/452.48, 452.62, 482  
 CPC ..... A47G 9/10; A47G 9/1009; A47G 9/1027;  
 A47G 9/1045; A47G 9/1063; A47G  
 9/1072; A47G 9/1081  
 See application file for complete search history.

(56) **References Cited**

U.S. PATENT DOCUMENTS

D353,072 S \* 12/1994 Cornell, Jr. .... D6/595  
 6,199,231 B1 \* 3/2001 Zafiroglu ..... A47G 9/0246  
 5/497  
 6,216,292 B1 \* 4/2001 Oakhill ..... A47C 27/008  
 5/482  
 6,253,398 B1 \* 7/2001 Yim ..... A47C 31/105  
 5/482  
 D517,848 S \* 3/2006 Contreras ..... D6/596  
 D518,672 S \* 4/2006 Contreras ..... D6/596  
 D519,311 S \* 4/2006 Contreras ..... D6/596  
 D587,055 S \* 2/2009 Tucker ..... D6/596  
 D600,485 S \* 9/2009 Tucker ..... D6/596  
 D606,353 S \* 12/2009 Tucker ..... D6/596  
 D616,236 S \* 5/2010 Morrison ..... D6/596  
 D621,198 S \* 8/2010 Morrison ..... D6/597  
 D622,088 S \* 8/2010 Morrison ..... D6/596  
 D622,531 S \* 8/2010 Morrison ..... D6/596  
 D622,996 S \* 9/2010 Morrison ..... D6/596  
 D634,148 S \* 3/2011 Morrison ..... D6/605  
 D640,082 S \* 6/2011 Morrison ..... D6/605  
 D642,847 S \* 8/2011 Rinehart ..... D6/596  
 D662,751 S \* 7/2012 Morrison ..... D6/597  
 D662,752 S \* 7/2012 Morrison ..... D6/597  
 D666,448 S \* 9/2012 Morrison ..... D6/597  
 D666,449 S \* 9/2012 Morrison ..... D6/597  
 D696,048 S \* 12/2013 Morrison ..... D6/605  
 D719,764 S \* 12/2014 Enders ..... D5/55  
 D720,158 S \* 12/2014 Harmening ..... D5/56

D724,864 S \* 3/2015 Harmening ..... D5/56  
 D724,866 S \* 3/2015 Johnson ..... D5/62  
 D726,452 S \* 4/2015 Jensen ..... D5/55  
 D727,663 S \* 4/2015 Jensen ..... D6/606  
 D742,660 S \* 11/2015 Oberwelz ..... D6/606  
 D744,766 S \* 12/2015 Morrison ..... D6/605  
 D744,767 S \* 12/2015 Morrison ..... D6/605  
 D744,768 S \* 12/2015 Morrison ..... D6/605  
 D746,082 S \* 12/2015 Harmening ..... D6/605  
 D746,083 S \* 12/2015 Jensen ..... D6/606  
 D746,085 S \* 12/2015 Jensen ..... D6/606  
 D766,017 S \* 9/2016 Jensen ..... D6/606  
 D767,306 S \* 9/2016 Oberwelz ..... D6/606  
 D776,960 S \* 1/2017 Suzuki ..... D6/605  
 D785,972 S \* 5/2017 Oberwelz ..... D6/602  
 D804,857 S \* 12/2017 Desodt ..... D6/606  
 D804,858 S \* 12/2017 Desodt ..... D6/606  
 D804,859 S \* 12/2017 Desodt ..... D6/606  
 D805,328 S \* 12/2017 Desodt ..... D6/606  
 2010/0138992 A1 \* 6/2010 Morrison ..... A47C 31/00  
 5/279.1  
 2014/0196647 A1 \* 7/2014 Myers ..... D05B 11/005  
 112/475.08

FOREIGN PATENT DOCUMENTS

CA	172825	11/2017
CA	176706	11/2017
CN	4558371	3/2018
EM	003729714-0001	1/2017
EM	003729714-0002	1/2017
JP	1582125	11/2017
JP	1589004	11/2017
KR	3009310900001	11/2017

OTHER PUBLICATIONS

Stearns & Foster Estate Collection; <http://www.houstondiscountmattresses.com/stearns-foster-estate-basic.html>; 1 page; accessed Jun. 1, 2018.  
 Transmittal Letter of Related Cases.

\* cited by examiner

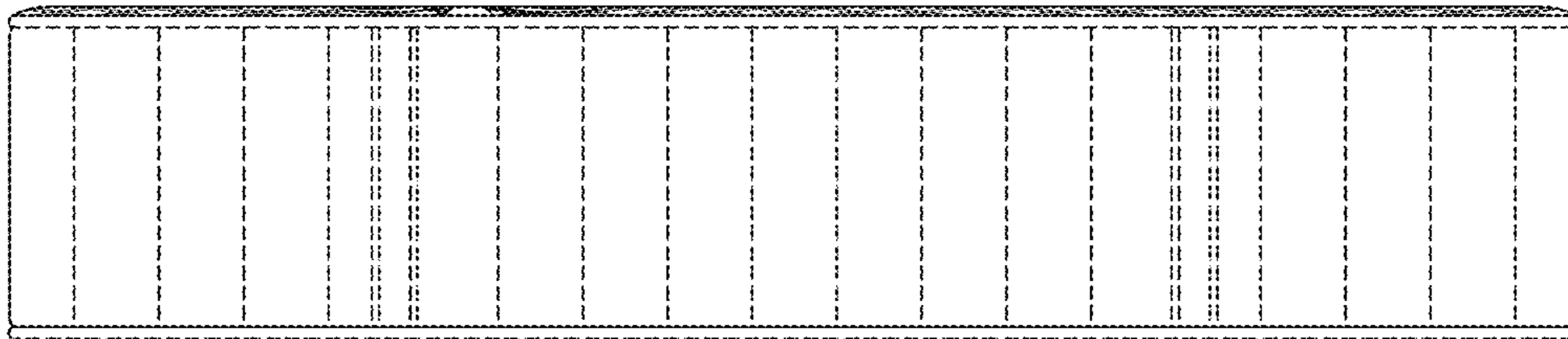


FIG. 1

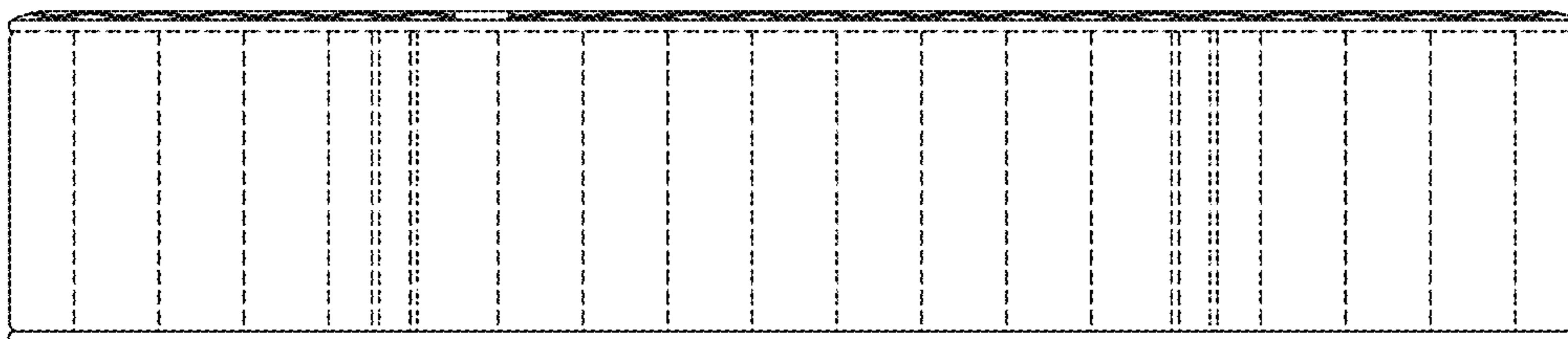


FIG. 2

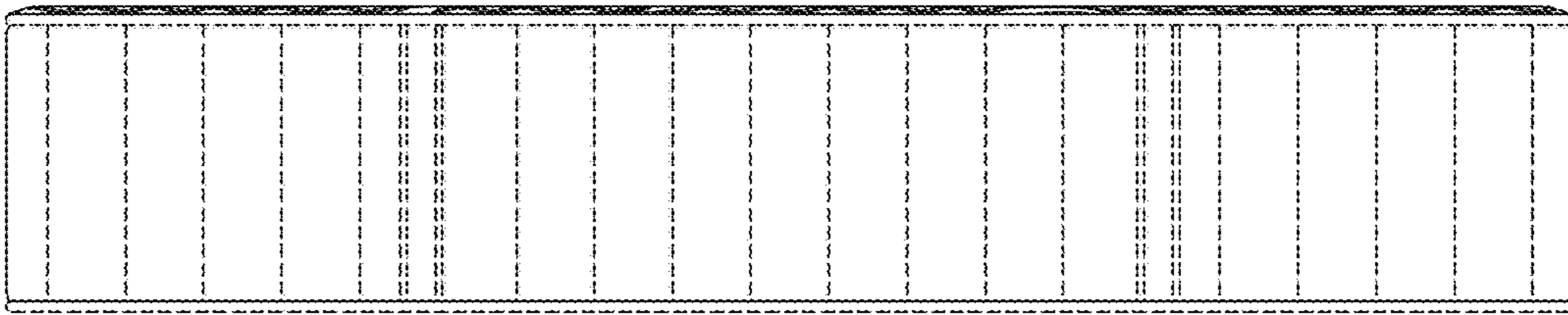


FIG. 3

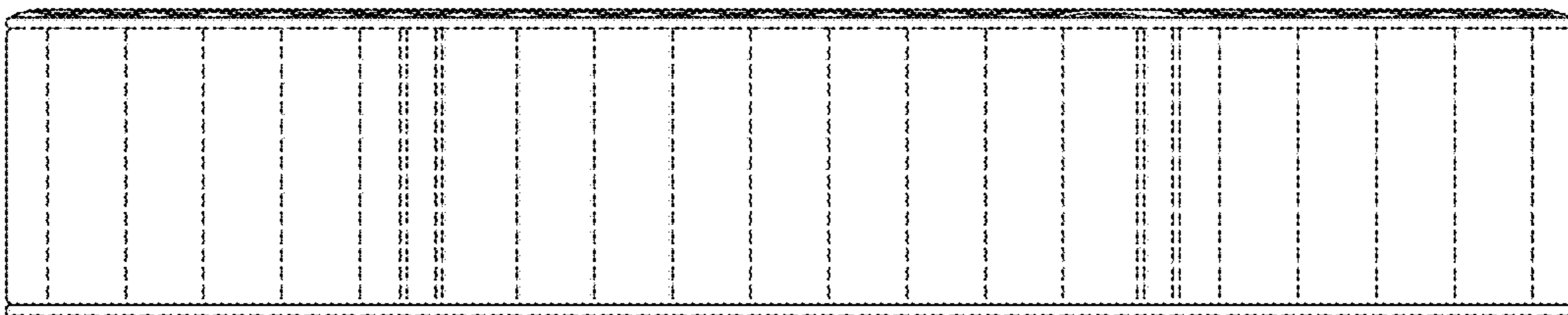


FIG. 4

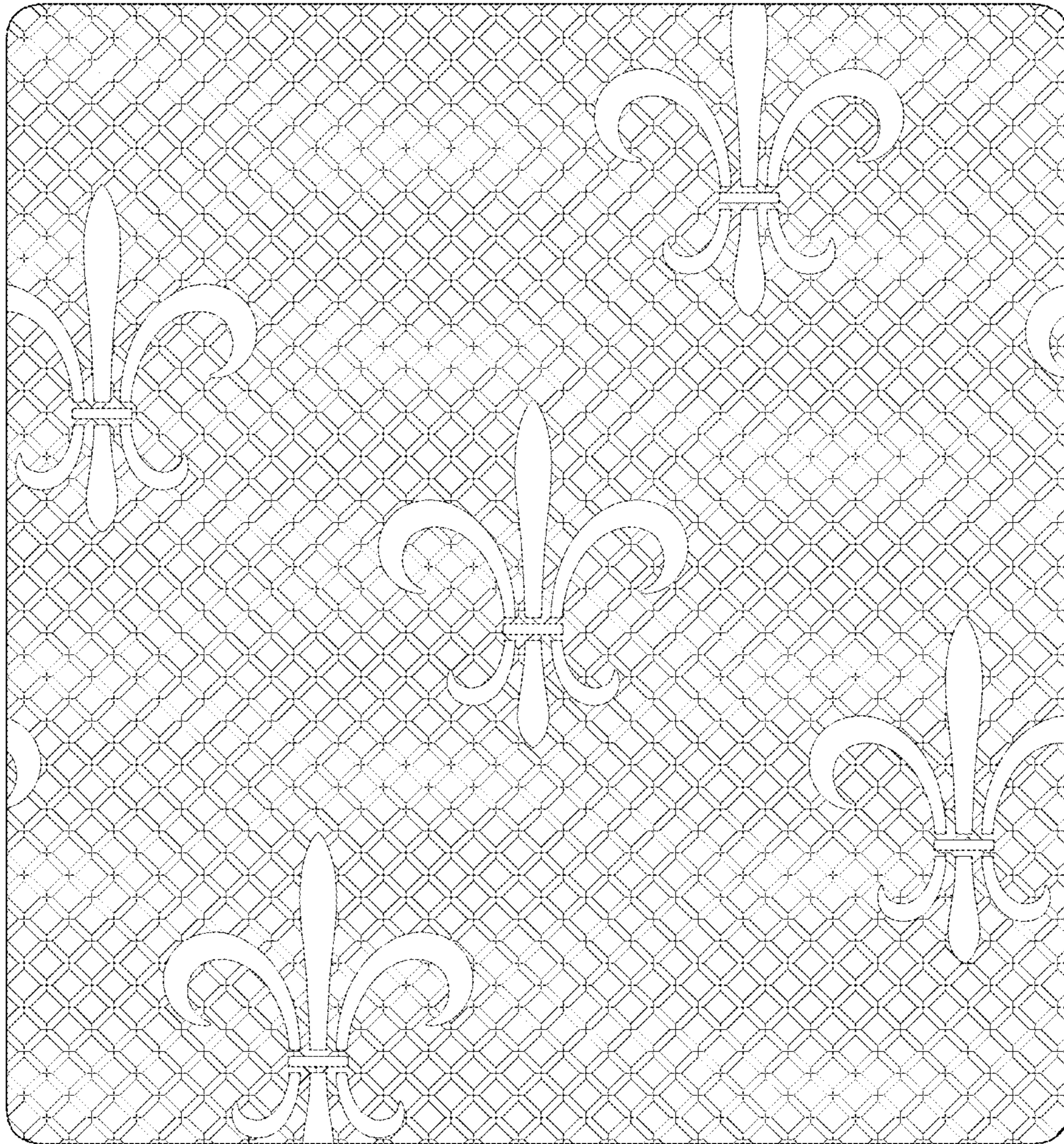


FIG. 5

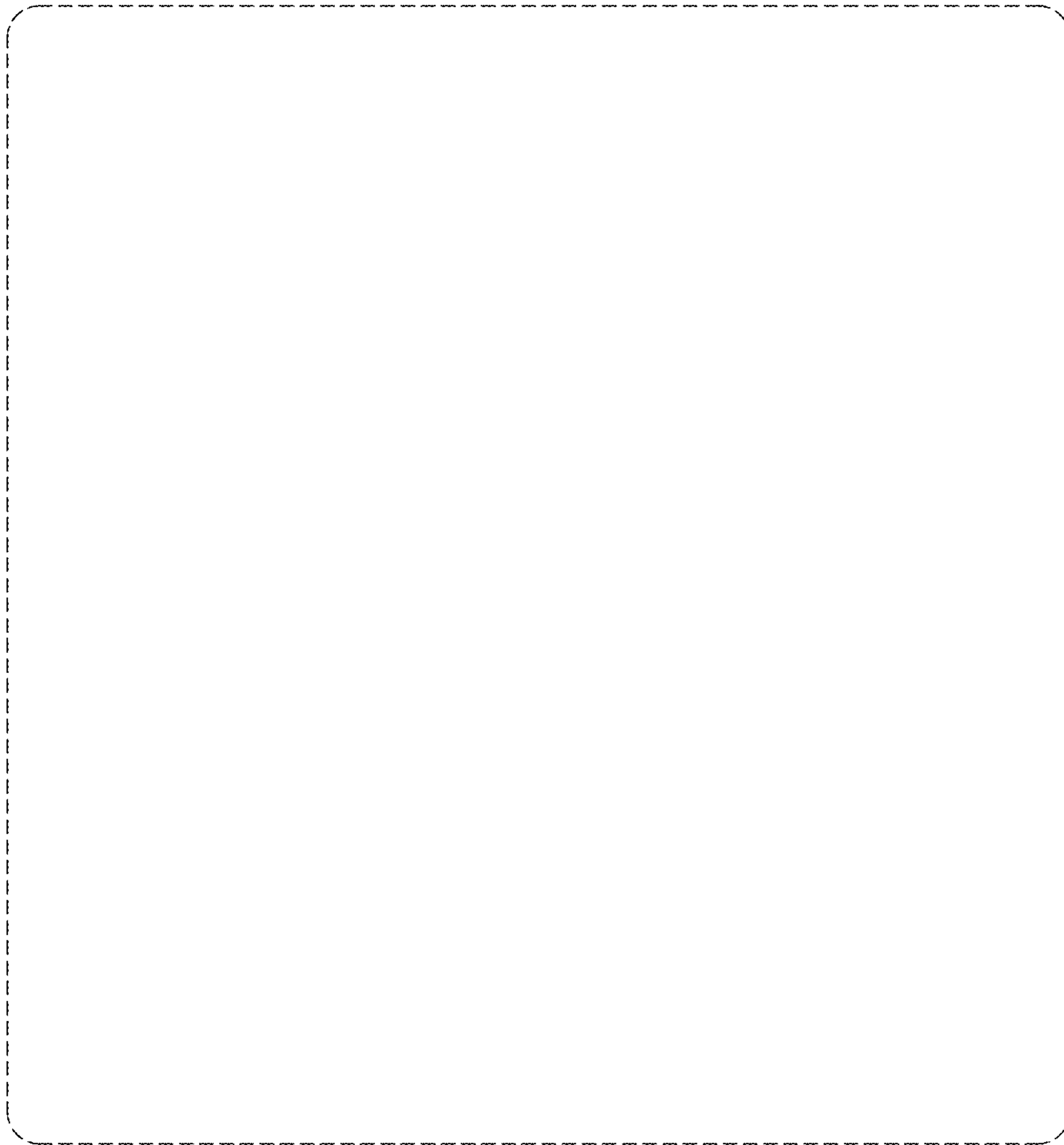


FIG. 6

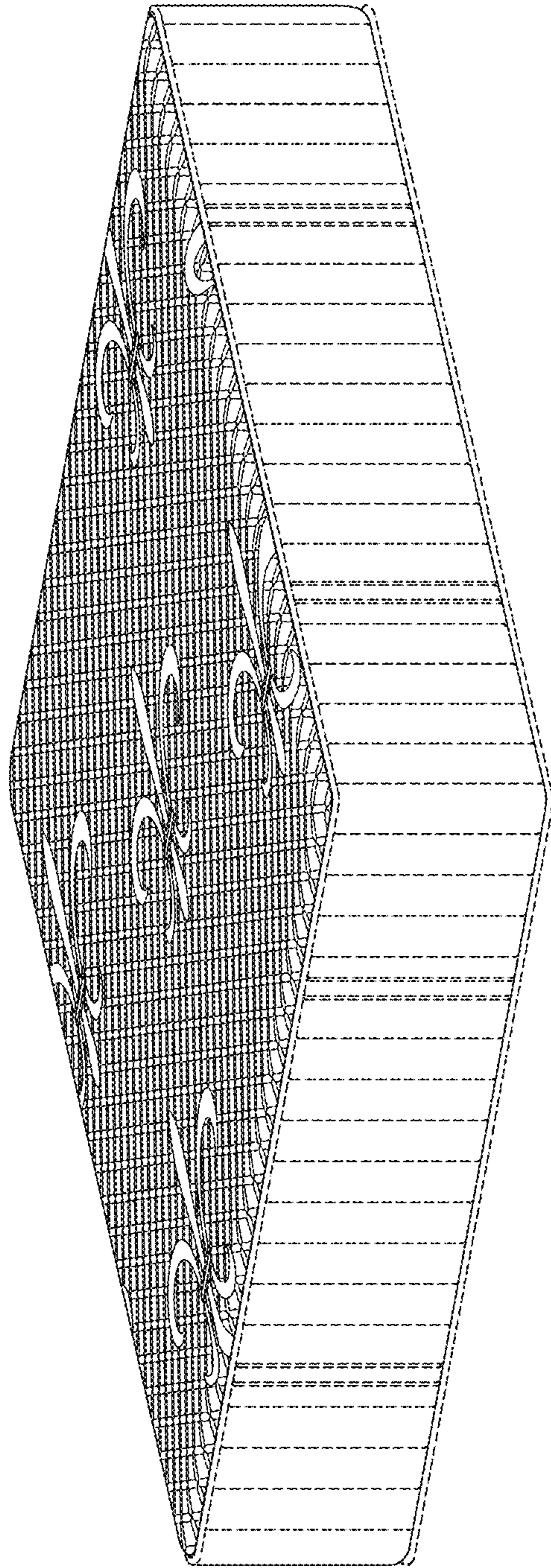


FIG. 7