



US00D833177S

(12) **United States Design Patent** (10) **Patent No.:** **US D833,177 S**  
**DeMore et al.** (45) **Date of Patent:** **\*\* Nov. 13, 2018**

(54) **ADJUSTABLE CUSHION DEVICE**

- (71) Applicant: **Enduring Wellness, LLC**, Cleveland, OH (US)
- (72) Inventors: **Anthony DeMore**, Willoughby, OH (US); **Brian Sokol**, Vermilion, OH (US)
- (73) Assignee: **ENDURING WELLNESS, LLC**, Cleveland, OH (US)
- (\*\*) Term: **15 Years**
- (21) Appl. No.: **29/622,948**
- (22) Filed: **Oct. 20, 2017**

**Related U.S. Application Data**

- (63) Continuation-in-part of application No. 15/492,347, filed on Apr. 20, 2017, now Pat. No. 10,010,183.
- (51) **LOC (11) Cl.** ..... **06-09**
- (52) **U.S. Cl.**  
USPC ..... **D6/601**
- (58) **Field of Classification Search**  
USPC ..... D6/333, 349, 355, 375, 388, 512, 563, D6/564, 595, 596, 601, 604, 611, 707, D6/715, 716, 716.1; D24/183-185, 234; D21/803, 804, 805, 809; 5/401, 420, 5/600, 630, 631, 632, 633, 635, 636, 638, 5/639, 646, 652, 652.1, 655, 703, 730; 297/1, 2, 4, 93, 180.11, 195.1, 195.11, 297/195.13, 393, 397, 452.12, 452.14,  
(Continued)

(56) **References Cited**

**U.S. PATENT DOCUMENTS**

- 4,916,765 A \* 4/1990 Castronovo, Jr. .... A47G 9/1081 297/284.1
- 5,168,590 A 12/1992 O'Sullivan
- 5,363,524 A 11/1994 Lang  
(Continued)

**OTHER PUBLICATIONS**

Confort Adjust Pillow: Combat Symptoms of Tech Neck, announced Oct. 11, 2017, [online: Indiegogo.com], [site visited May 24, 2018]. Available from Internet, <URL: <https://www.indiegogo.com/projects/comfortadjust-pillow-combat-symptoms-of-tech-neck-iphone-sleep#/updates/all>> (Year: 2017).\*

(Continued)

*Primary Examiner* — Michelle E. Wilson  
*Assistant Examiner* — Sanjeev Paul  
(74) *Attorney, Agent, or Firm* — Medley, Behrens & Lewis, LLC

(57) **CLAIM**

The ornamental design for an adjustable cushion device, as shown and described.

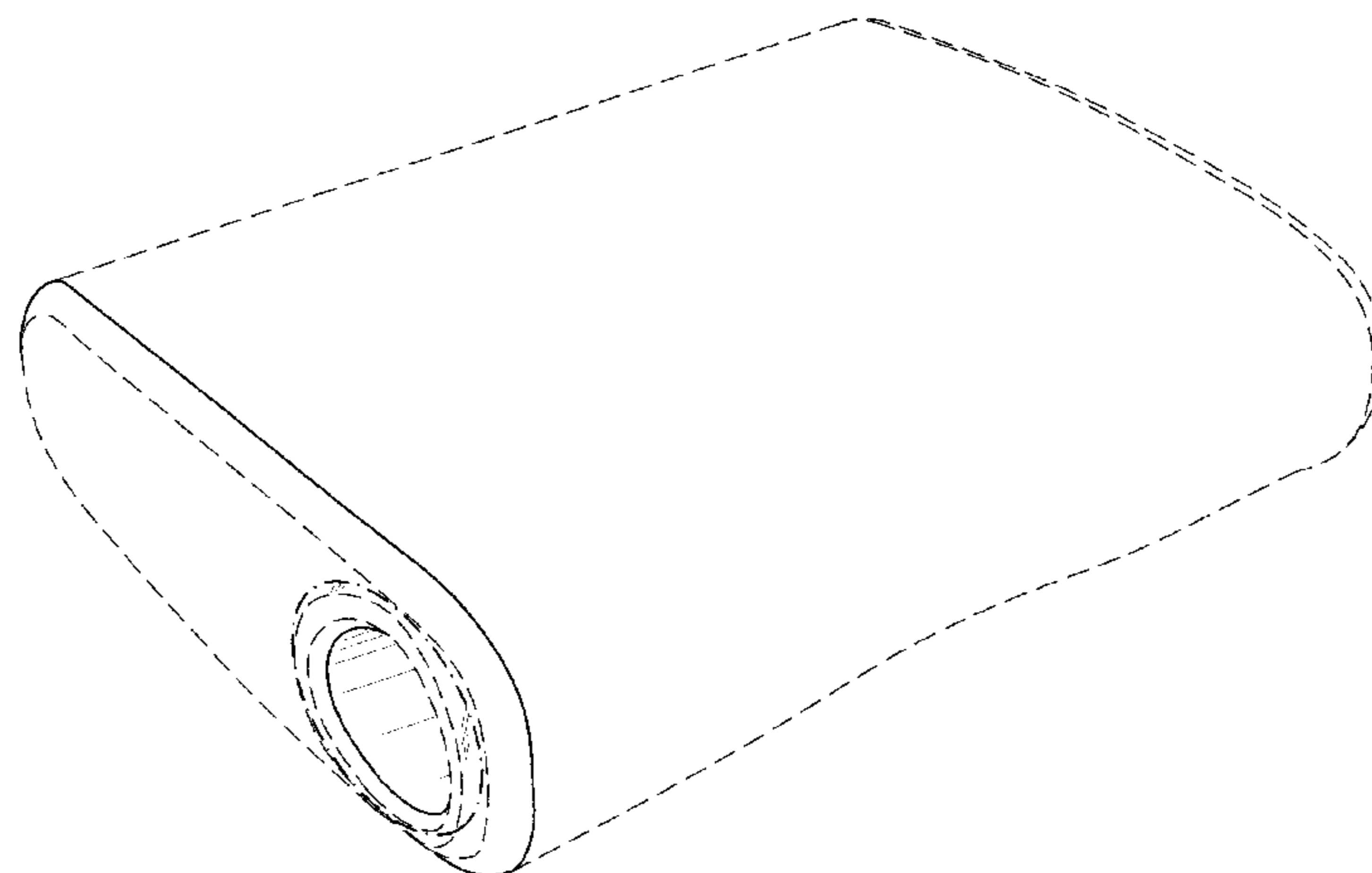
**DESCRIPTION**

FIG. 1 is a perspective view of an adjustable cushion device; FIG. 2 is a top plan view thereof; FIG. 3 is a right side plan view thereof; FIG. 4 is a left side plan view thereof; FIG. 5 is a back plan view thereof; FIG. 6 is a front plan view thereof; and, FIG. 7 is a bottom plan view thereof.

The broken line showings of the figures are for illustrative purposes only and form no part of the claimed design. Applicant reserves the right to amend the application to change the solid lines to dashed lines if applicant decides to claim such an embodiment.

The line-dot-line patterned broken line oval of certain figures indicates what is claimed inside the boundaries of the oval, while the remainder of the drawings is unclaimed.

**1 Claim, 6 Drawing Sheets**



(58) **Field of Classification Search**

USPC ..... 297/452.15, 452.21, 452.24, 452.26,  
 297/452.48, 452.62, 482  
 CPC ..... A47G 9/10; A47G 9/1009; A47G 9/1027;  
 A47G 9/1045; A47G 9/1063; A47G  
 9/1072; A47G 9/1081

See application file for complete search history.

D663,149 S	7/2012	Cohen	
D711,159 S	8/2014	Castellano	
D715,580 S	10/2014	Ganjavian et al.	
D731,209 S	6/2015	Fux	
D732,312 S	6/2015	Tiffin	
D746,081 S	12/2015	Hawkins	
D763,601 S *	8/2016	Hill .....	D6/601
D766,014 S	9/2016	Choi	
D778,086 S	2/2017	O'Meara et al.	
D792,722 S	7/2017	Vargas	
D794,356 S	8/2017	McWilliams et al.	
D795,611 S	8/2017	Dickholtz, Jr.	
D804,852 S	12/2017	Glaze	
10,045,643 B2 *	8/2018	Boyd .....	A47G 9/1081
2011/0006116 A1	1/2011	Modavis et al.	
2011/0009403 A1	1/2011	Nagaraj et al.	
2011/0061167 A1	3/2011	Farley	
2011/0094033 A1	4/2011	Lee	
2016/0278553 A1	9/2016	Biebl	

(56) **References Cited**

U.S. PATENT DOCUMENTS

5,367,731 A 11/1994 O'Sullivan  
 5,533,218 A \* 7/1996 Fahy ..... A47C 27/144  
 5/421  
 5,682,633 A \* 11/1997 Davis ..... A47G 9/1081  
 5/636  
 D400,387 S \* 11/1998 Denney ..... D6/601  
 D413,752 S \* 9/1999 Denney ..... D6/601  
 D415,920 S \* 11/1999 Denney ..... D6/601  
 6,047,425 A \* 4/2000 Khazaal ..... A47G 9/1027  
 5/640  
 6,408,468 B1 6/2002 Comfort  
 6,823,546 B1 \* 11/2004 Hsu ..... A47G 9/007  
 5/636  
 7,222,379 B2 \* 5/2007 DiGirolamo ..... A47G 9/10  
 5/636

OTHER PUBLICATIONS

Comfort Adjust Pillow, Dated: unknown, [online: comfortadjustpillow.com], [site visited May 24, 2018]. Available from Internet, <URL: <https://www.comfortadjustpillow.com/>> (Year: 2018).\*

\* cited by examiner

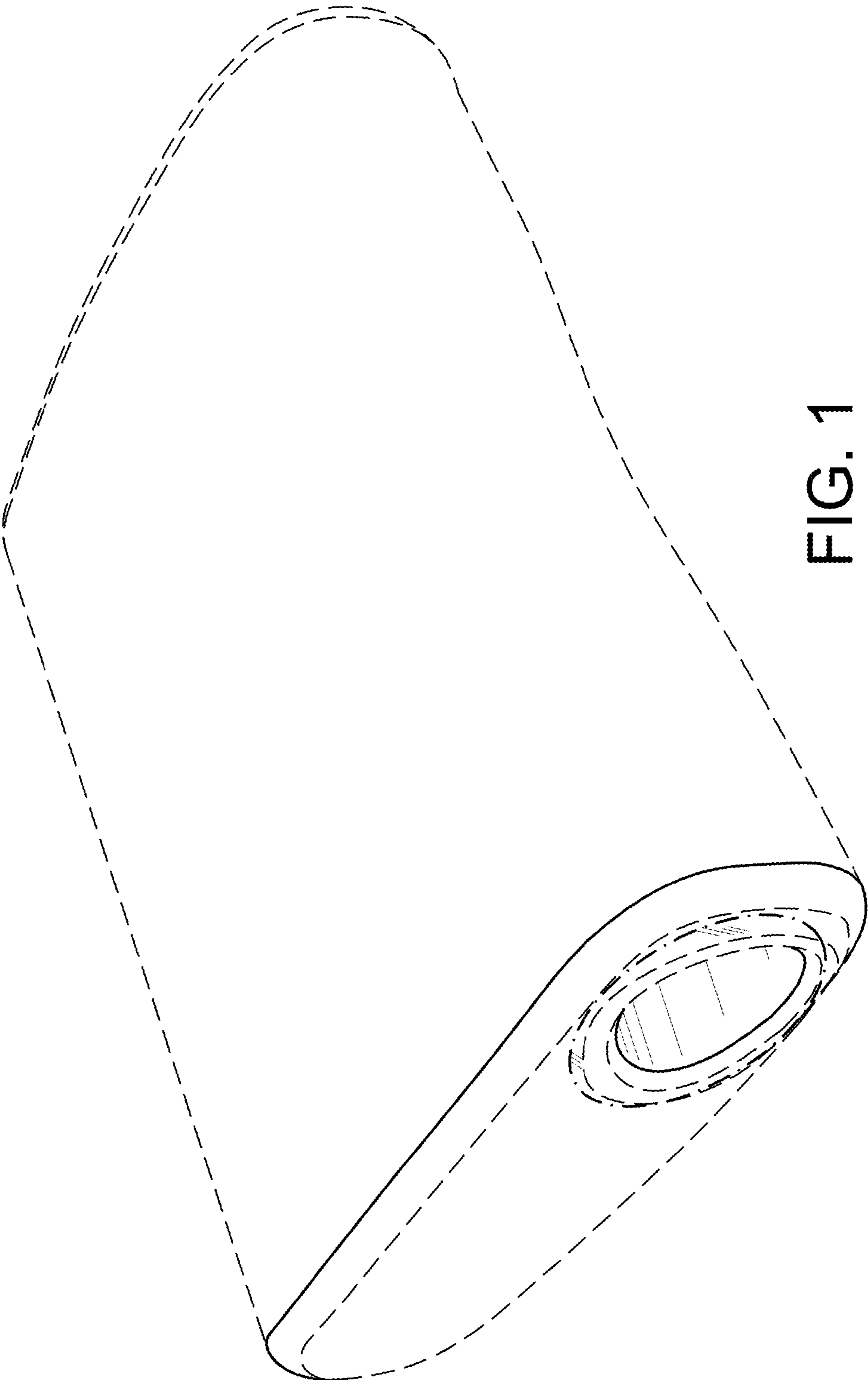


FIG. 1

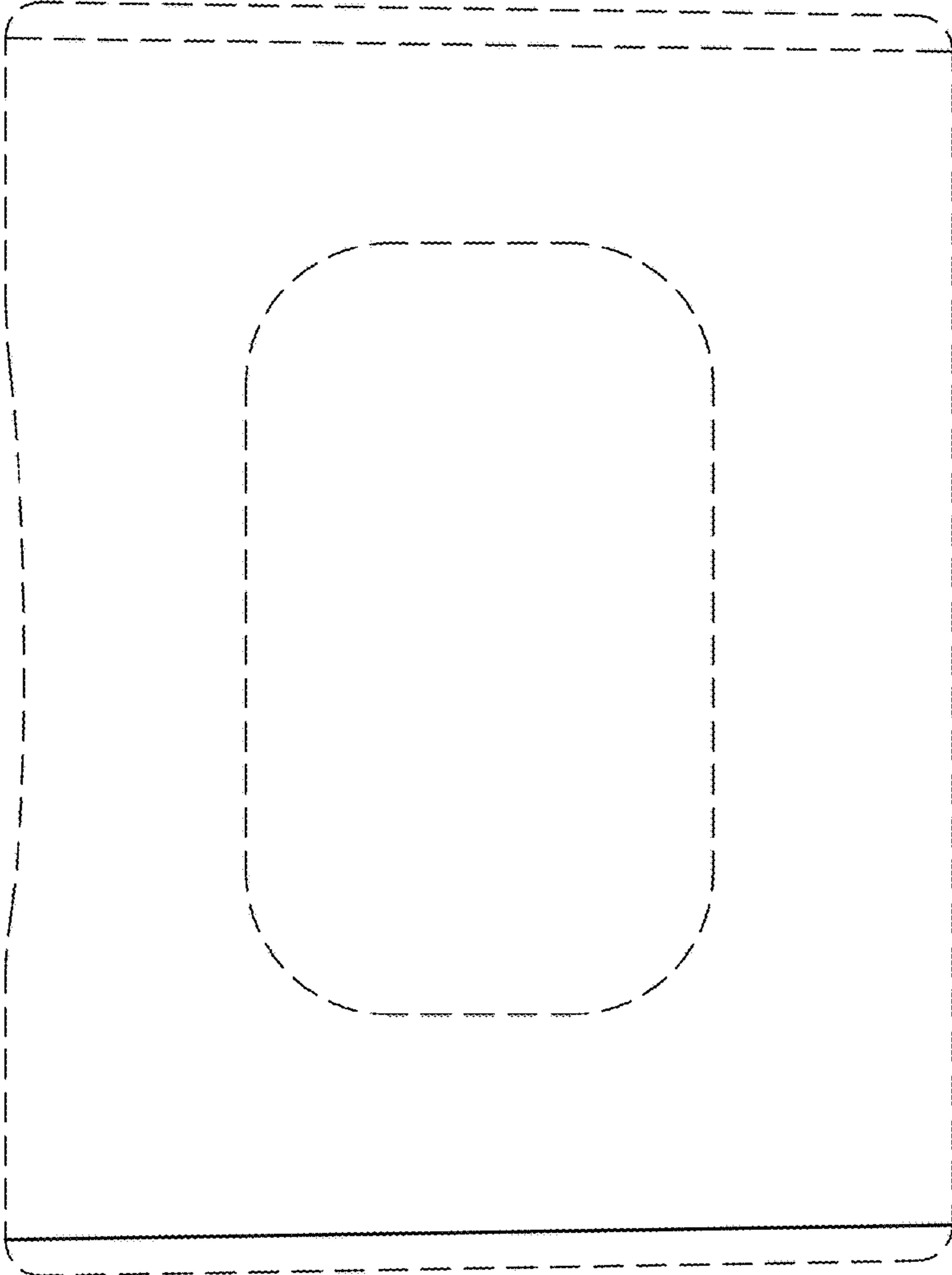


FIG. 2

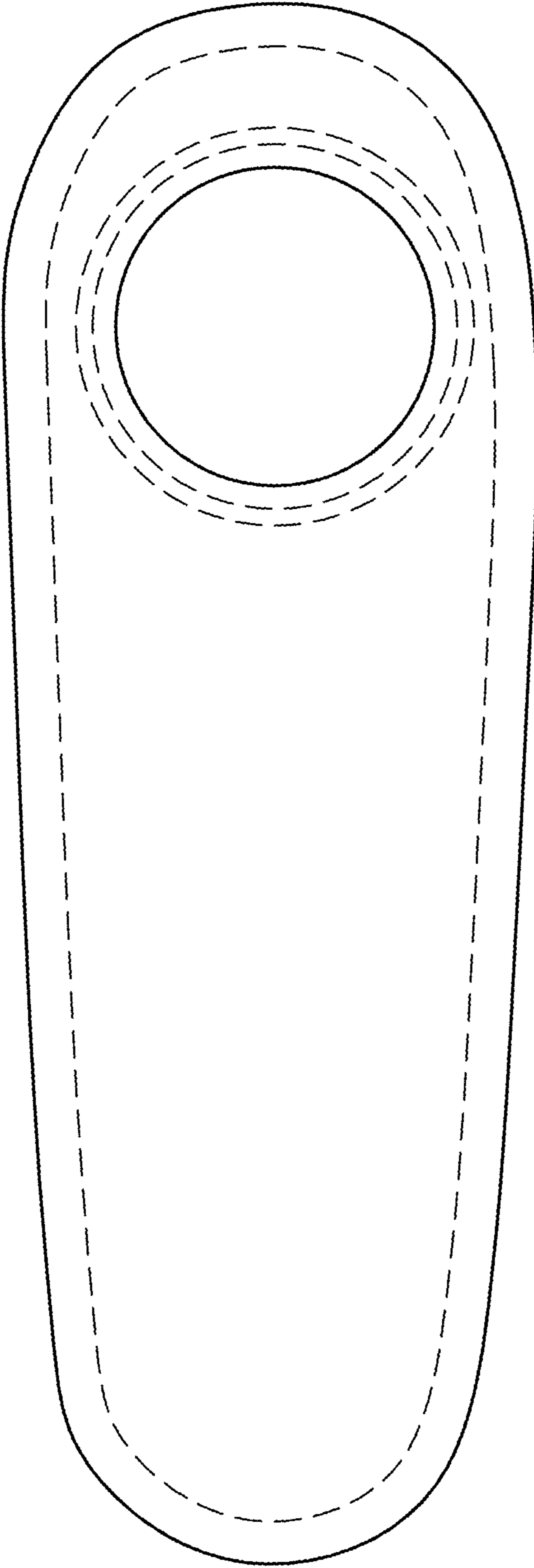


FIG. 3

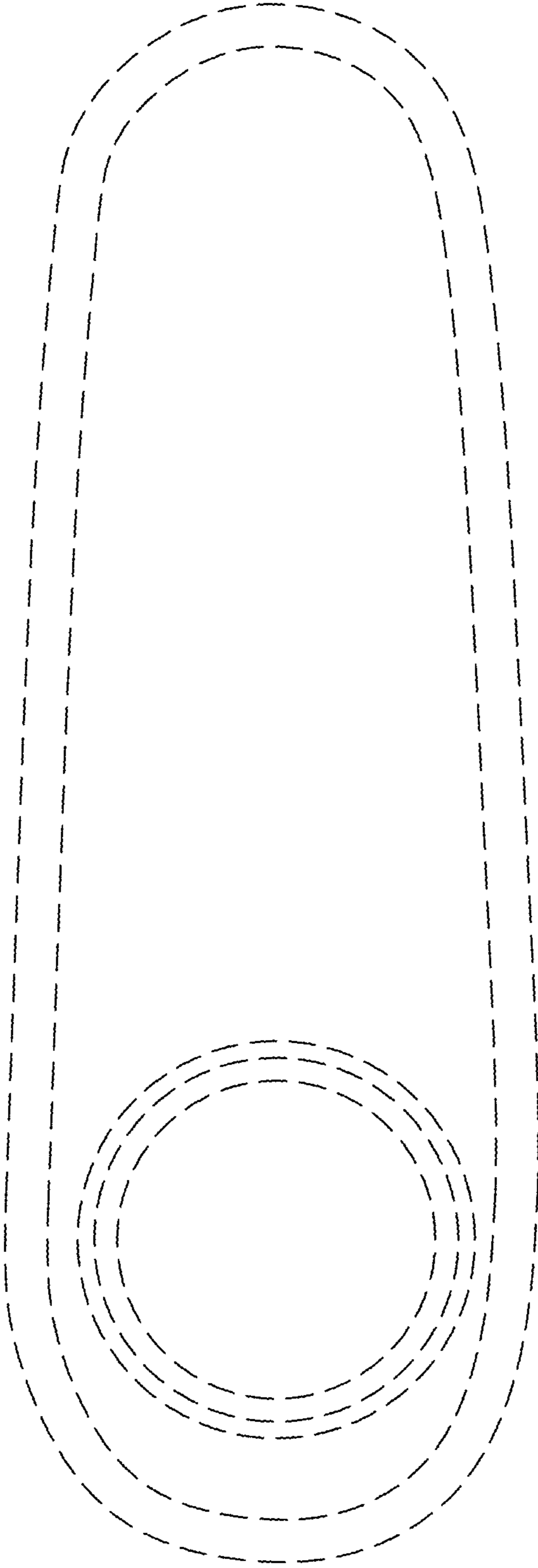


FIG. 4

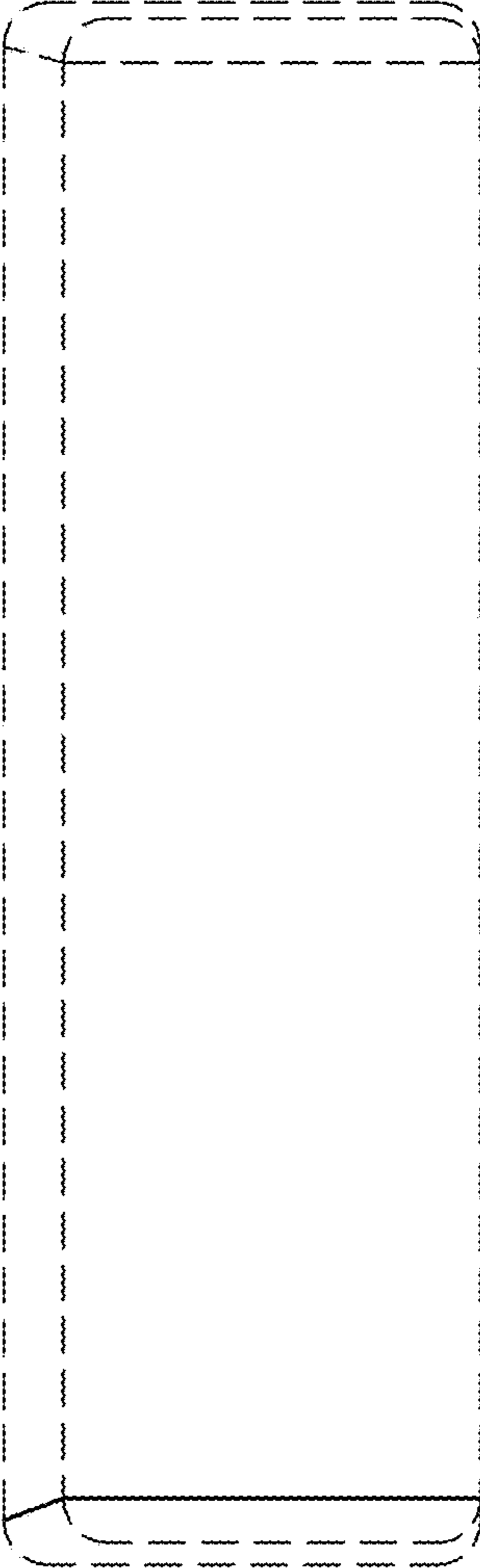


FIG. 5

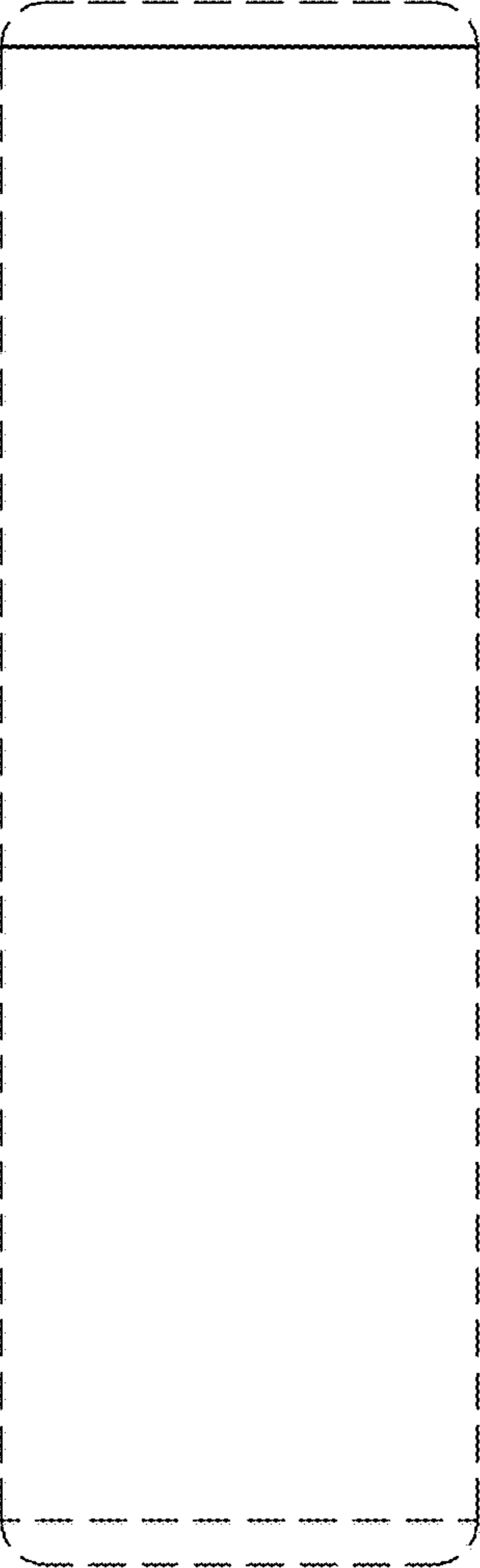


FIG. 6

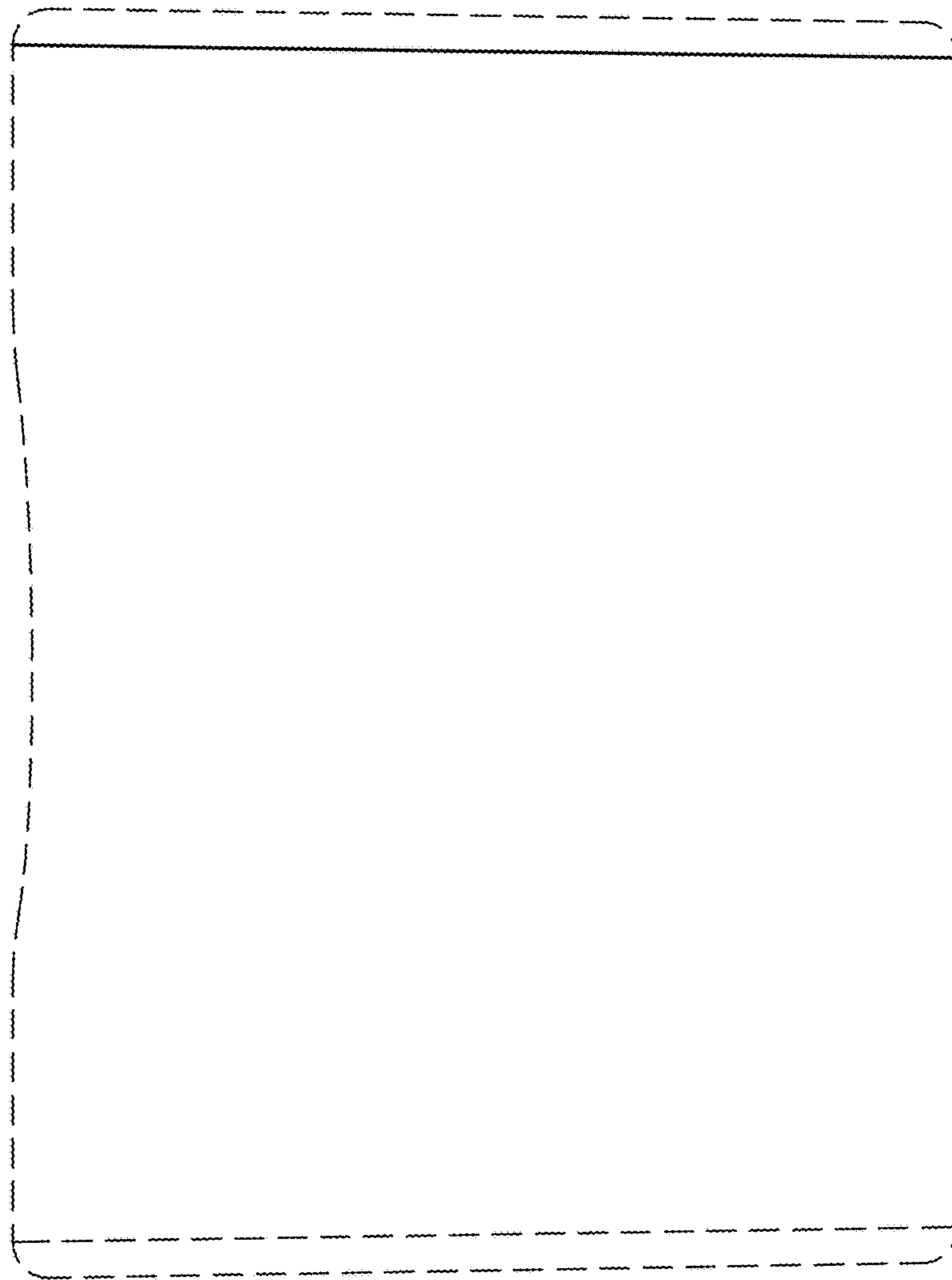


FIG. 7