



US00D833176S

(12) **United States Design Patent**
Wang

(10) **Patent No.:** **US D833,176 S**

(45) **Date of Patent:** **** Nov. 13, 2018**

(54) **HEATED SEAT CUSHION**

(71) Applicant: **Pilot, Inc.**, City of Industry, CA (US)

(72) Inventor: **Calvin Wang**, City of Industry, CA (US)

(73) Assignee: **Pilot, Inc.**, City of Industry, CA (US)

(**) Term: **15 Years**

(21) Appl. No.: **29/573,231**

(22) Filed: **Aug. 3, 2016**

(51) **LOC (11) Cl.** **06-09**

(52) **U.S. Cl.**
USPC **D6/601**

(58) **Field of Classification Search**
USPC D6/596, 601, 374, 380, 716.4;
5/631-633, 636
CPC A47C 7/40; A47C 7/46; A47C 16/005;
A47C 7/021; A47C 7/022; A47G 9/10;
A47G 2009/1018; A47G 9/1036; A47G
9/1063; A47G 9/1081; A47G 9/109
See application file for complete search history.

(56) **References Cited**

U.S. PATENT DOCUMENTS

D182,647 S * 4/1958 Cox 297/452.13
D274,108 S * 6/1984 Trotman D5/47

D413,037 S * 8/1999 Bellington D6/595
D417,984 S * 12/1999 Sand D6/368
D440,453 S * 4/2001 Roberts D6/601
D509,396 S * 9/2005 Wiltberger D6/601
D624,343 S * 9/2010 Long D6/601
D648,167 S * 11/2011 Colon D6/601
D782,850 S * 4/2017 Goddard D6/601
D795,612 S * 8/2017 Goddard D6/601

* cited by examiner

Primary Examiner — R. Johnson

(74) *Attorney, Agent, or Firm* — Sheridan Ross P.C.

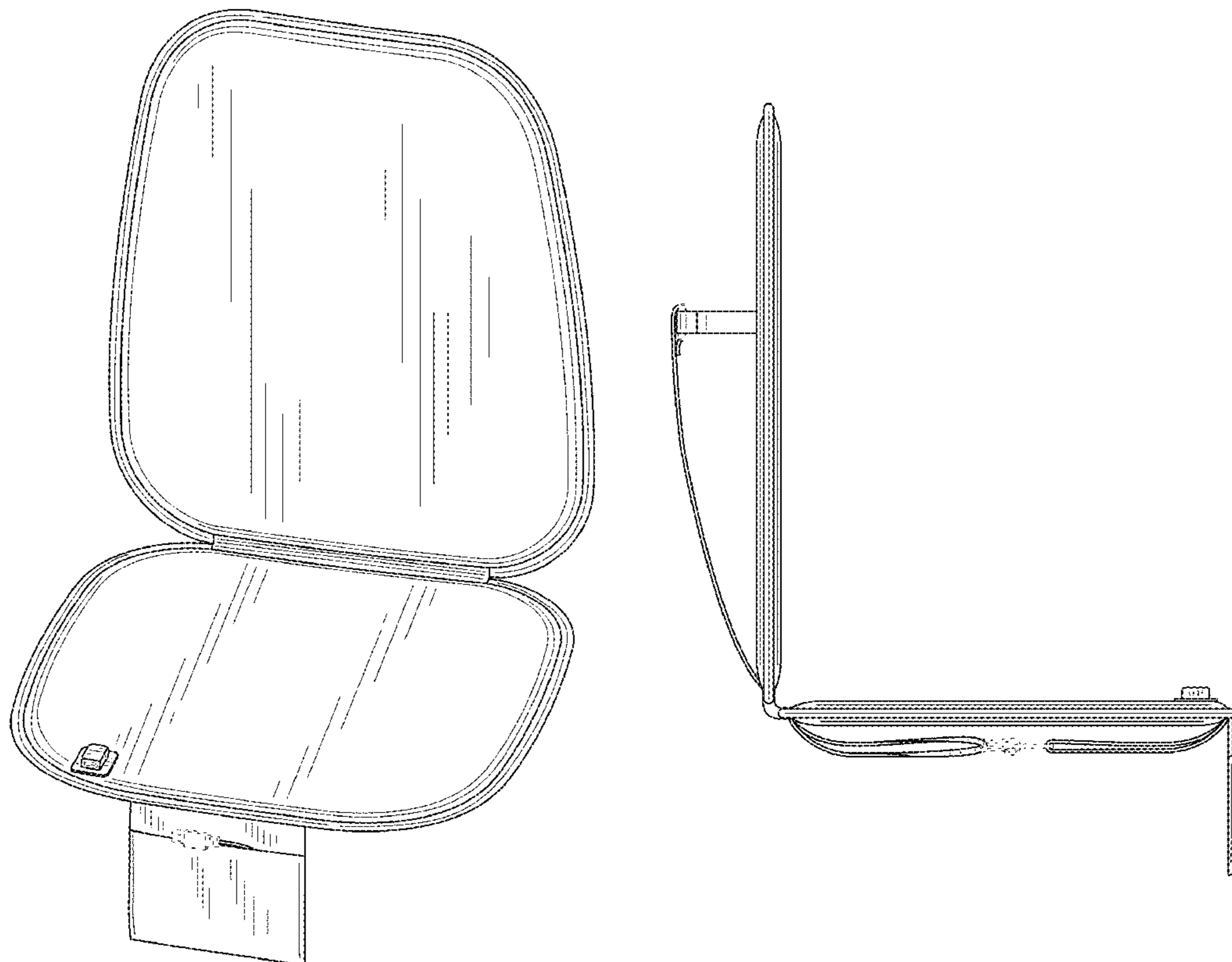
(57) **CLAIM**

The ornamental design for a heated seat cushion, as shown and described.

DESCRIPTION

FIG. 1 is a perspective view of a heated seat cushion showing my new design;
FIG. 2 is a front elevation view thereof;
FIG. 3 is a back elevation view thereof;
FIG. 4 is a right elevation view thereof;
FIG. 5 is a left elevation view thereof;
FIG. 6 is a top plan view thereof; and,
FIG. 7 is a bottom plan view thereof.
The broken lines show portions of the heated seat cushion which form no part of the claimed design.

1 Claim, 7 Drawing Sheets



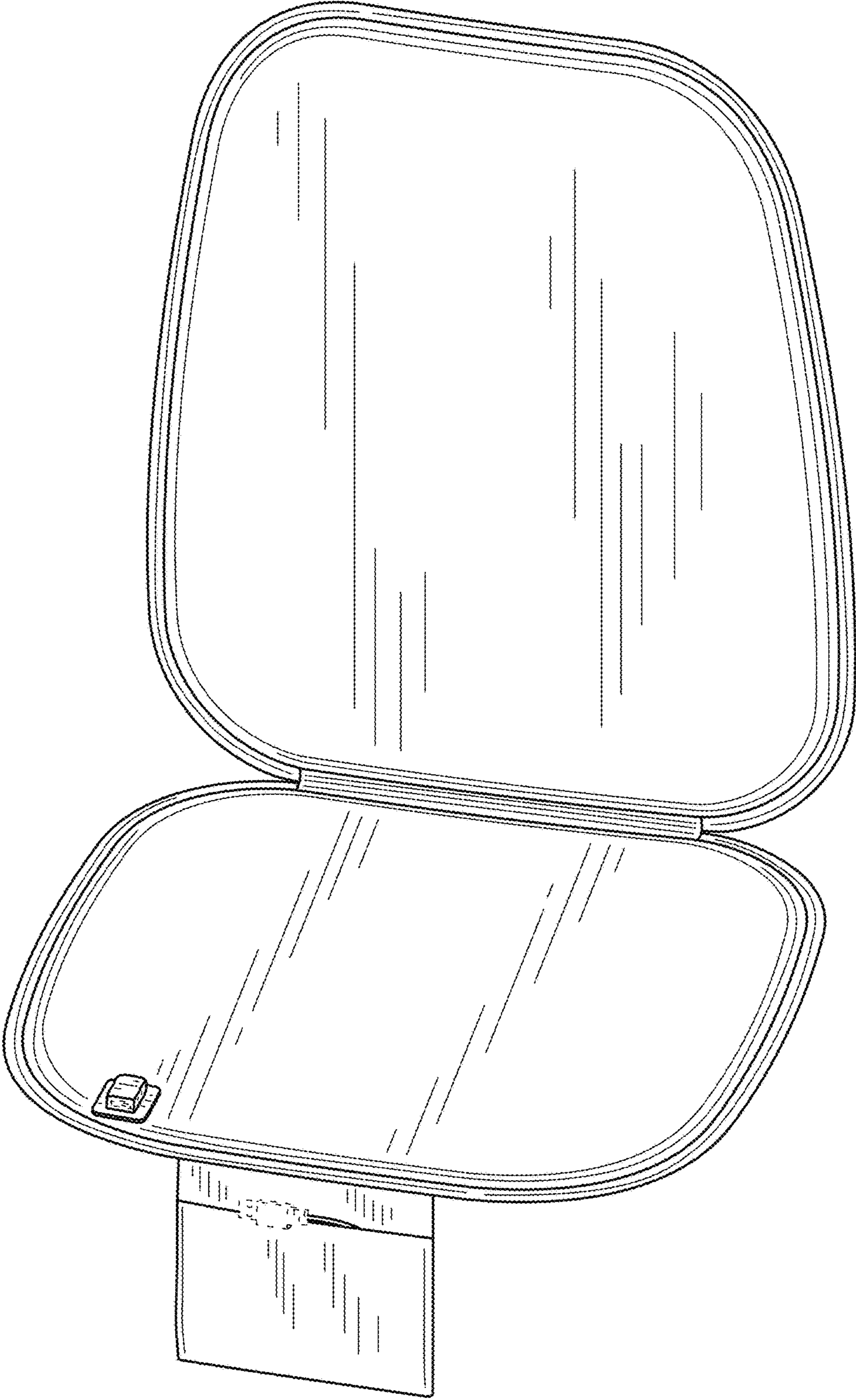


FIG.1

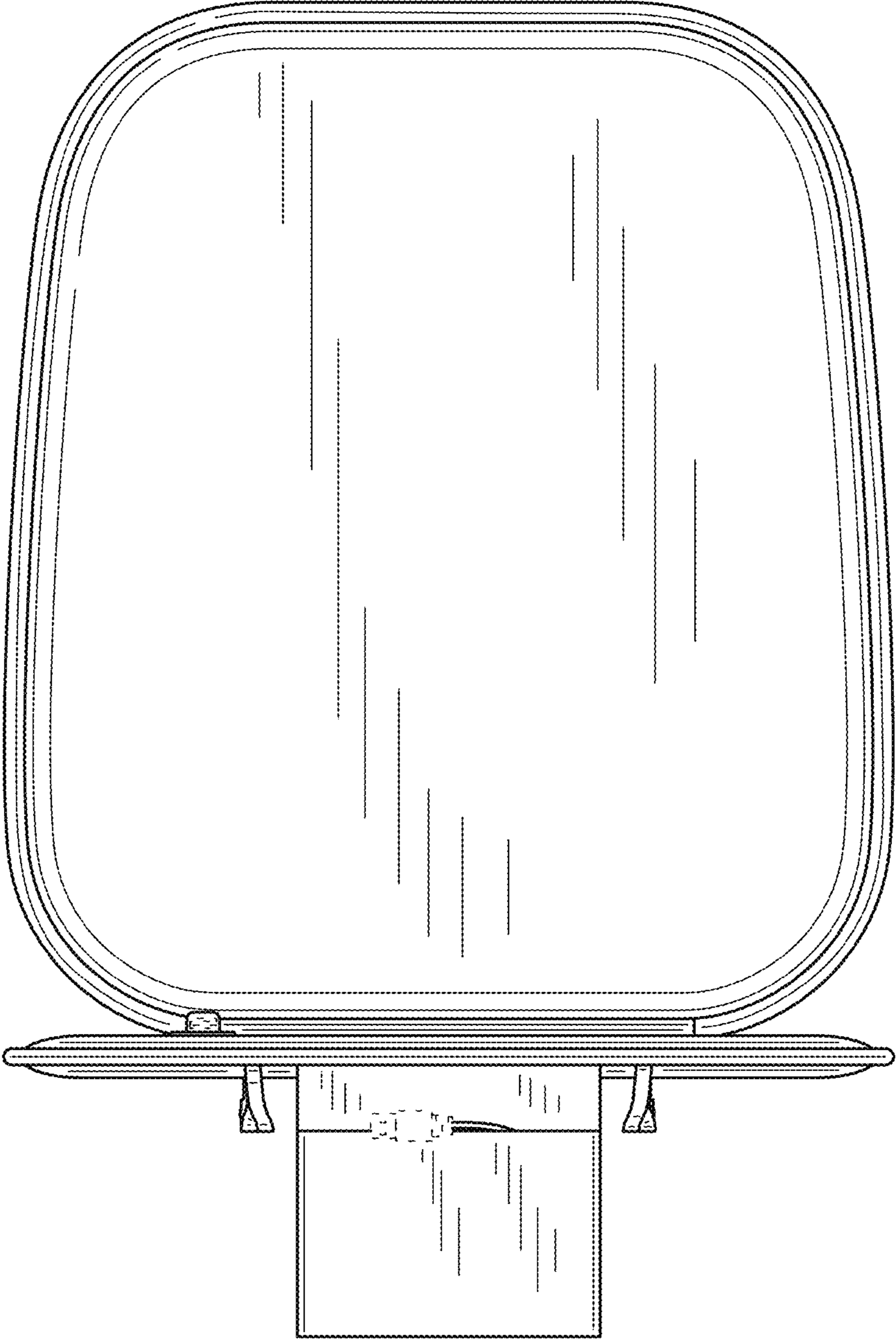


FIG.2

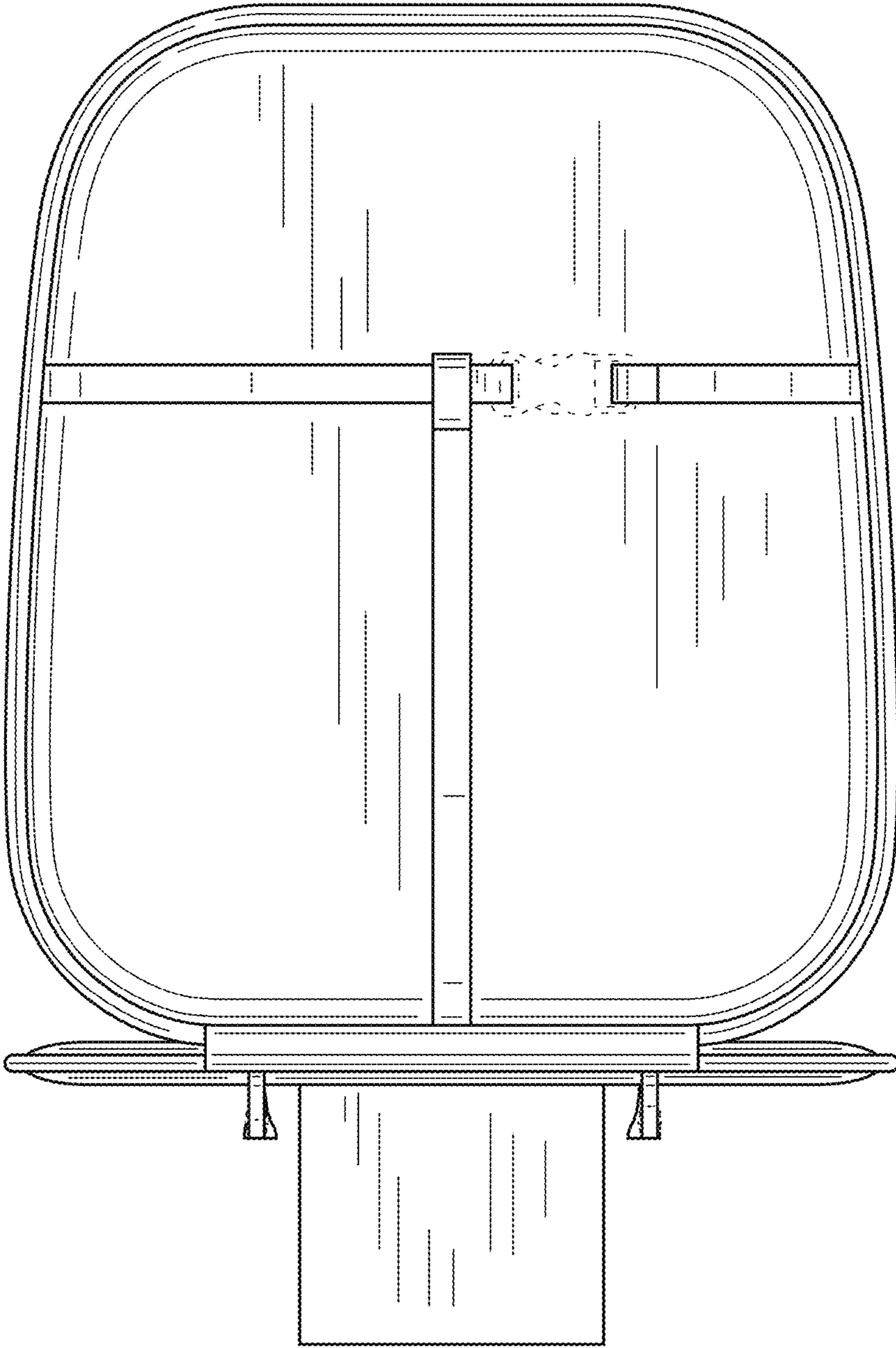


FIG.3

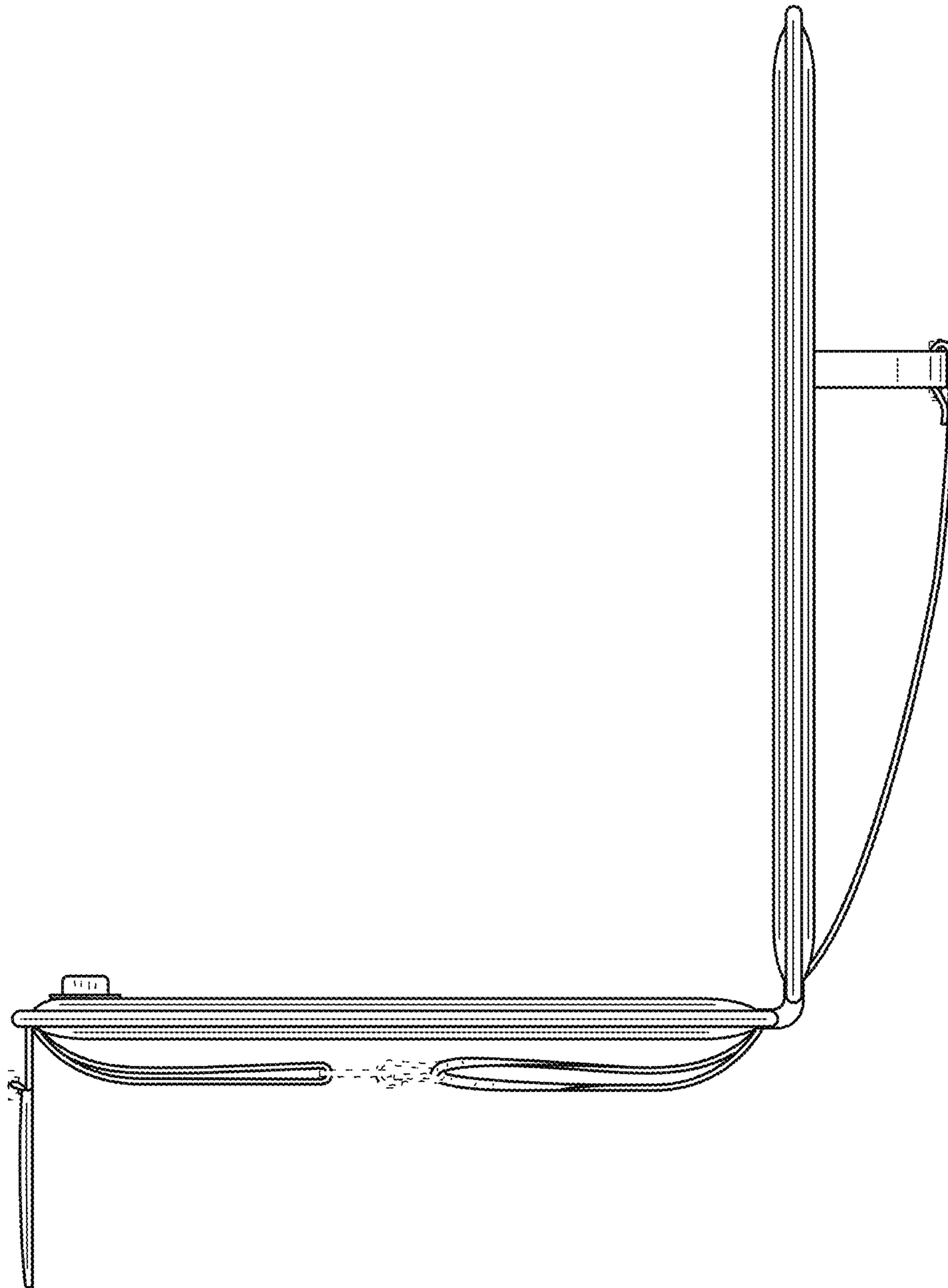


FIG.4

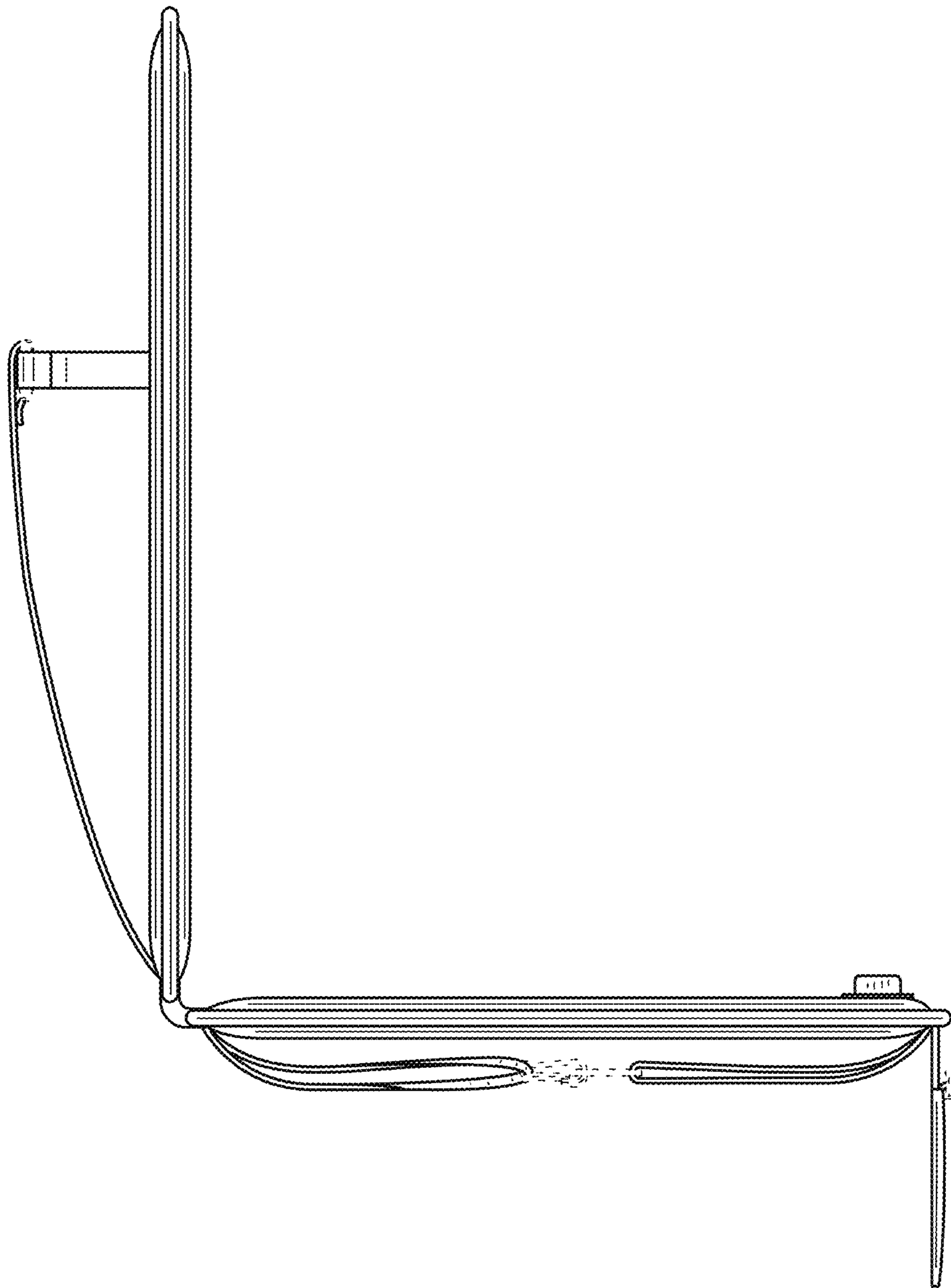


FIG.5

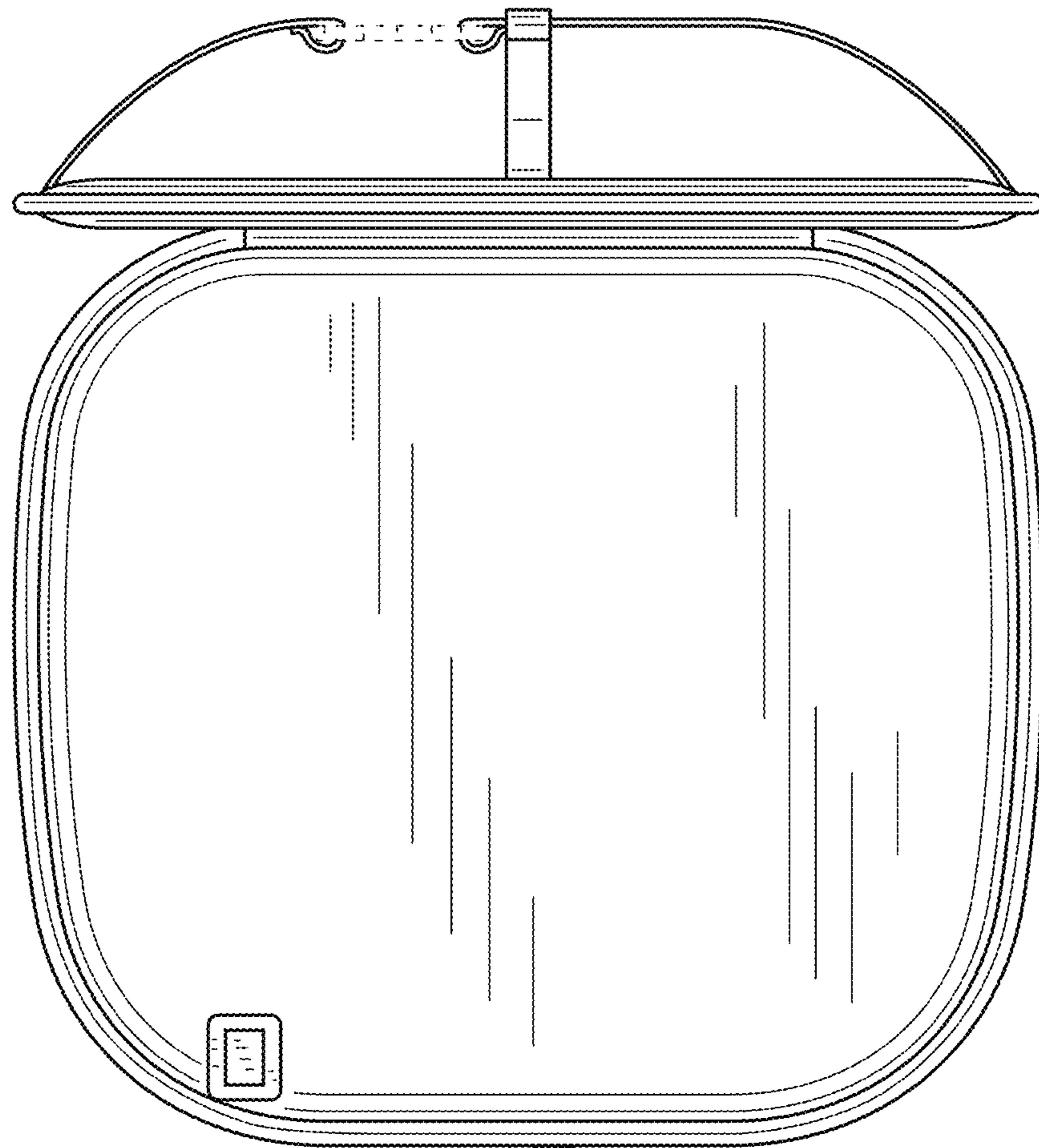


FIG.6

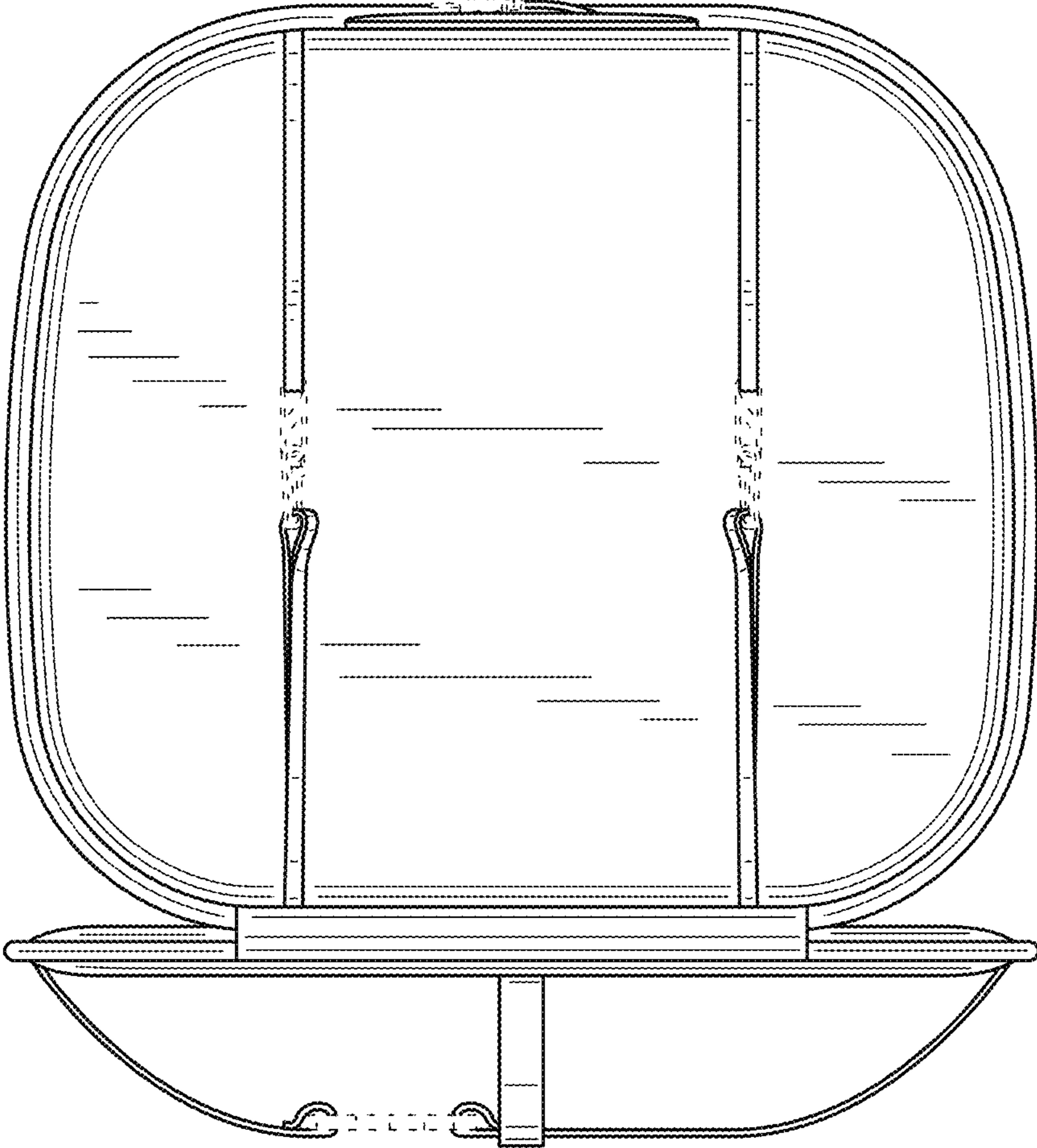


FIG.7