



US00D833174S

(12) **United States Design Patent**  
**Belokin**

(10) **Patent No.:** **US D833,174 S**

(45) **Date of Patent:** **\*\* Nov. 13, 2018**

(54) **DISPLAY SHELF**

(71) Applicant: **Displays by Martin Paul, Inc.—Creative Center**, Denton, TX (US)

(72) Inventor: **Martin Belokin**, Denton, TX (US)

(73) Assignee: **Displays by Martin Paul, Inc.—Creative Center**, Denton, TX (US)

(\*\*) Term: **15 Years**

(21) Appl. No.: **29/623,990**

(22) Filed: **Oct. 28, 2017**

(51) **LOC (11) Cl.** ..... **08-08**

(52) **U.S. Cl.**  
USPC ..... **D6/574**

(58) **Field of Classification Search**  
USPC ..... D6/574, 553, 567, 590, 601; 211/71, 74, 211/75, 86–90, 70.6, 13  
CPC ..... A47B 96/02; A47B 96/06; A47B 96/022; A47B 57/00; A47F 5/08; A47F 5/0018; A47F 5/0068  
See application file for complete search history.

(56) **References Cited**

**U.S. PATENT DOCUMENTS**

D281,477 S \* 11/1985 Neff ..... D6/567  
D303,745 S \* 10/1989 Lowe ..... D6/574

D324,617 S \* 3/1992 McCauley ..... D6/518  
D330,985 S \* 11/1992 White ..... D23/304  
D356,461 S \* 3/1995 May ..... D6/567  
D694,288 S \* 11/2013 Hottmann ..... D15/89  
D730,080 S \* 5/2015 Henn ..... D6/574  
D761,369 S \* 7/2016 Elsea ..... D21/782  
D769,642 S \* 10/2016 Holton ..... D6/552  
D769,643 S \* 10/2016 Holton ..... D6/553  
D796,560 S \* 9/2017 Onrat ..... D15/89  
D806,431 S \* 1/2018 Hafen ..... D6/518  
2008/0257226 A1 \* 10/2008 Schneider ..... A47F 5/0043  
108/27

\* cited by examiner

*Primary Examiner* — David G Muller  
*Assistant Examiner* — Nathan M Johnston

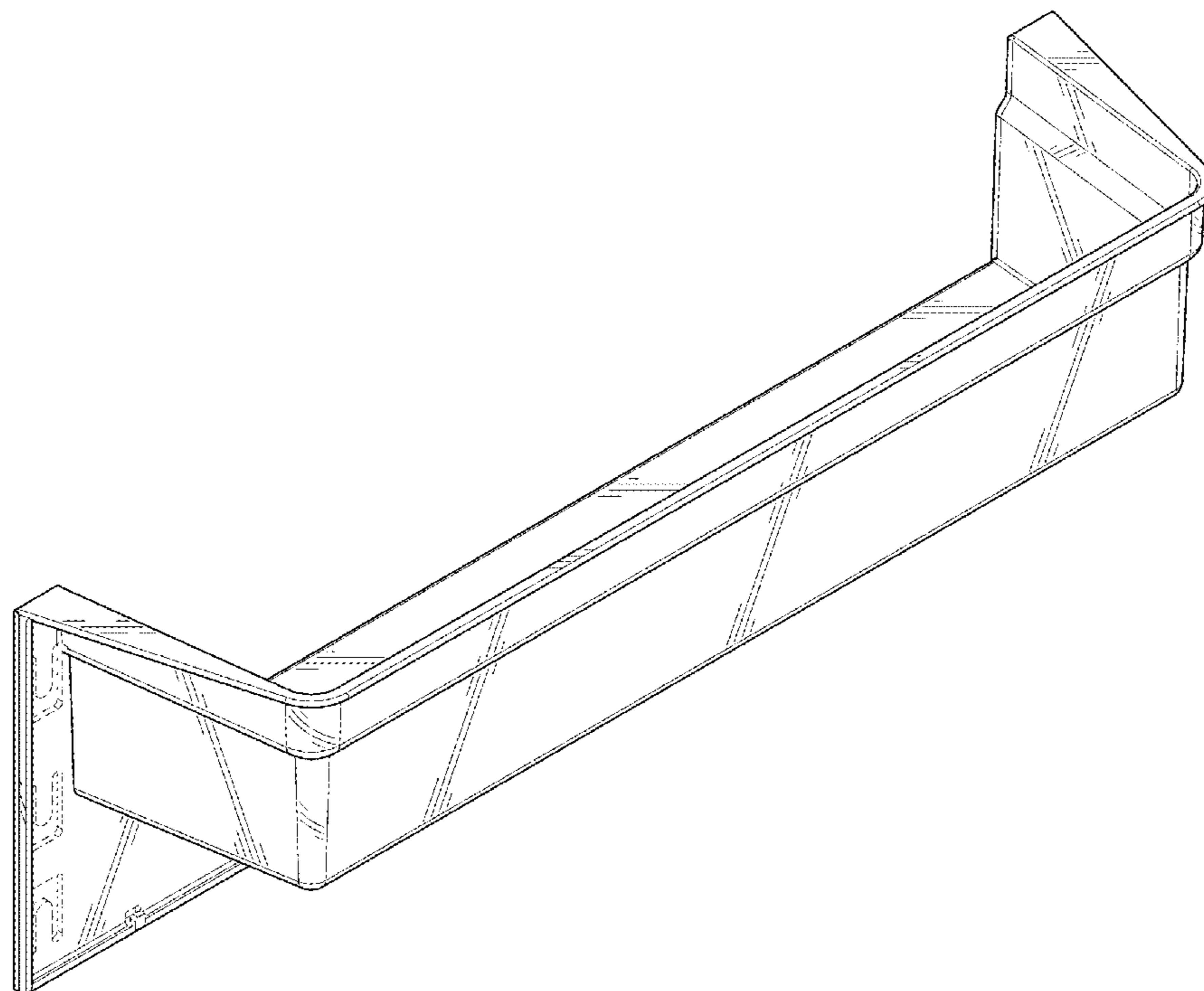
(57) **CLAIM**

The ornamental design for the display shelf, as shown and described.

**DESCRIPTION**

FIG. 1 is a front perspective view of a display shelf showing my new design;  
FIG. 2 is a front elevation view thereof;  
FIG. 3 is a rear elevation view thereof;  
FIG. 4 is a right side elevation view thereof;  
FIG. 5 is a left side elevation view thereof;  
FIG. 6 is a top plan view thereof; and,  
FIG. 7 is a bottom plan view thereof.  
The broken lines shown in the drawings illustrate features of the article that form no part of the claim.

**1 Claim, 5 Drawing Sheets**



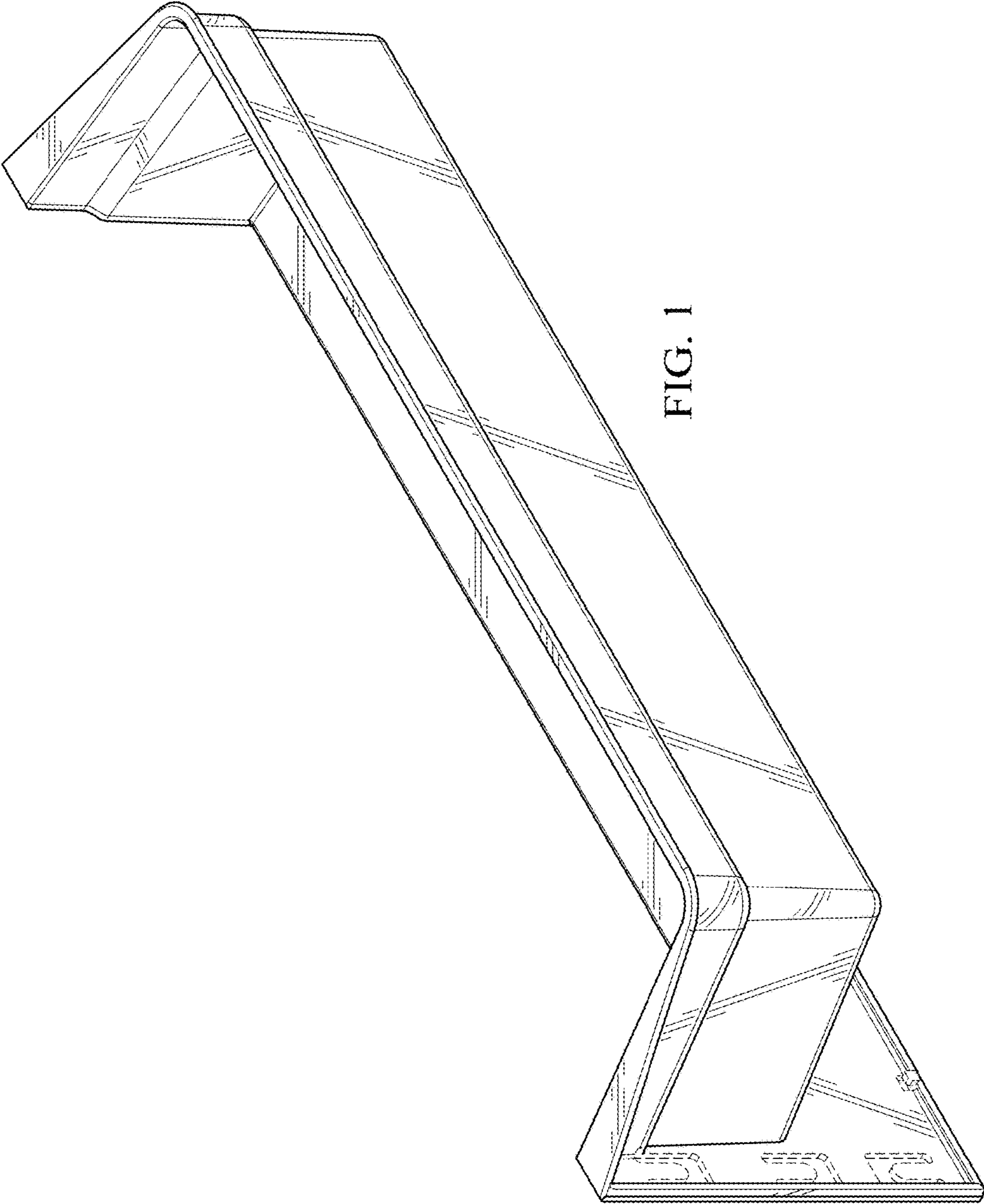


FIG. 1

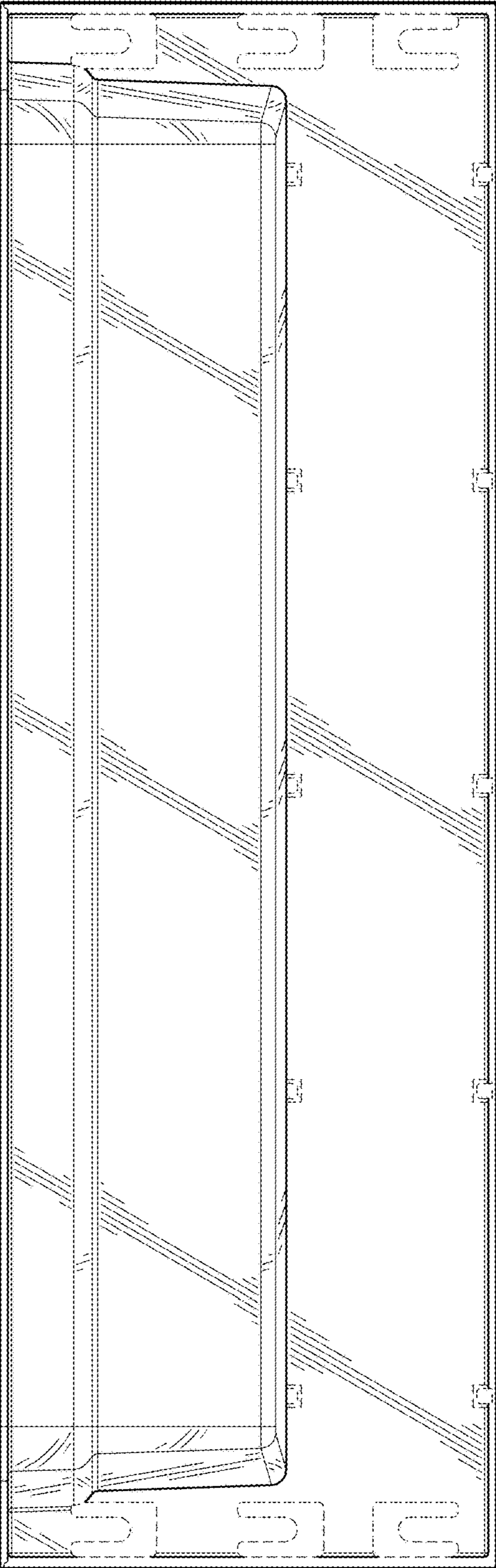


FIG. 2

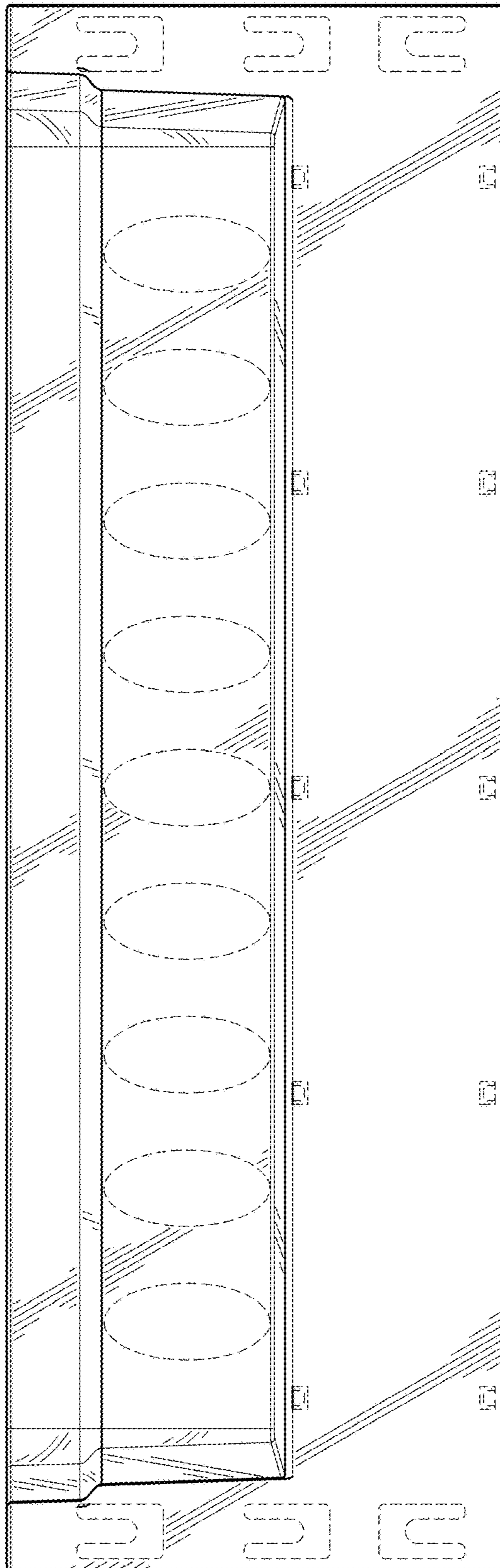


FIG. 3

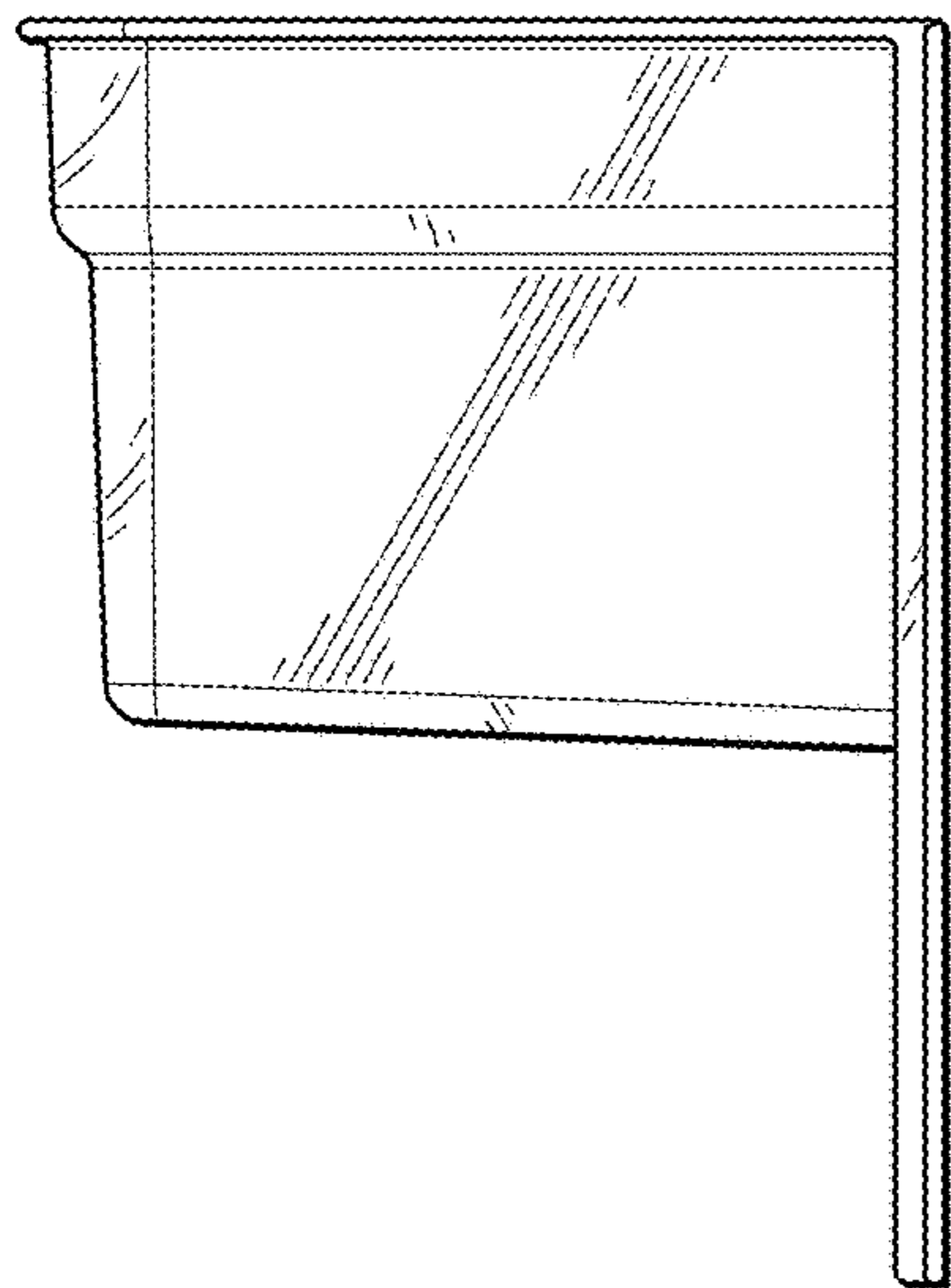


FIG. 4

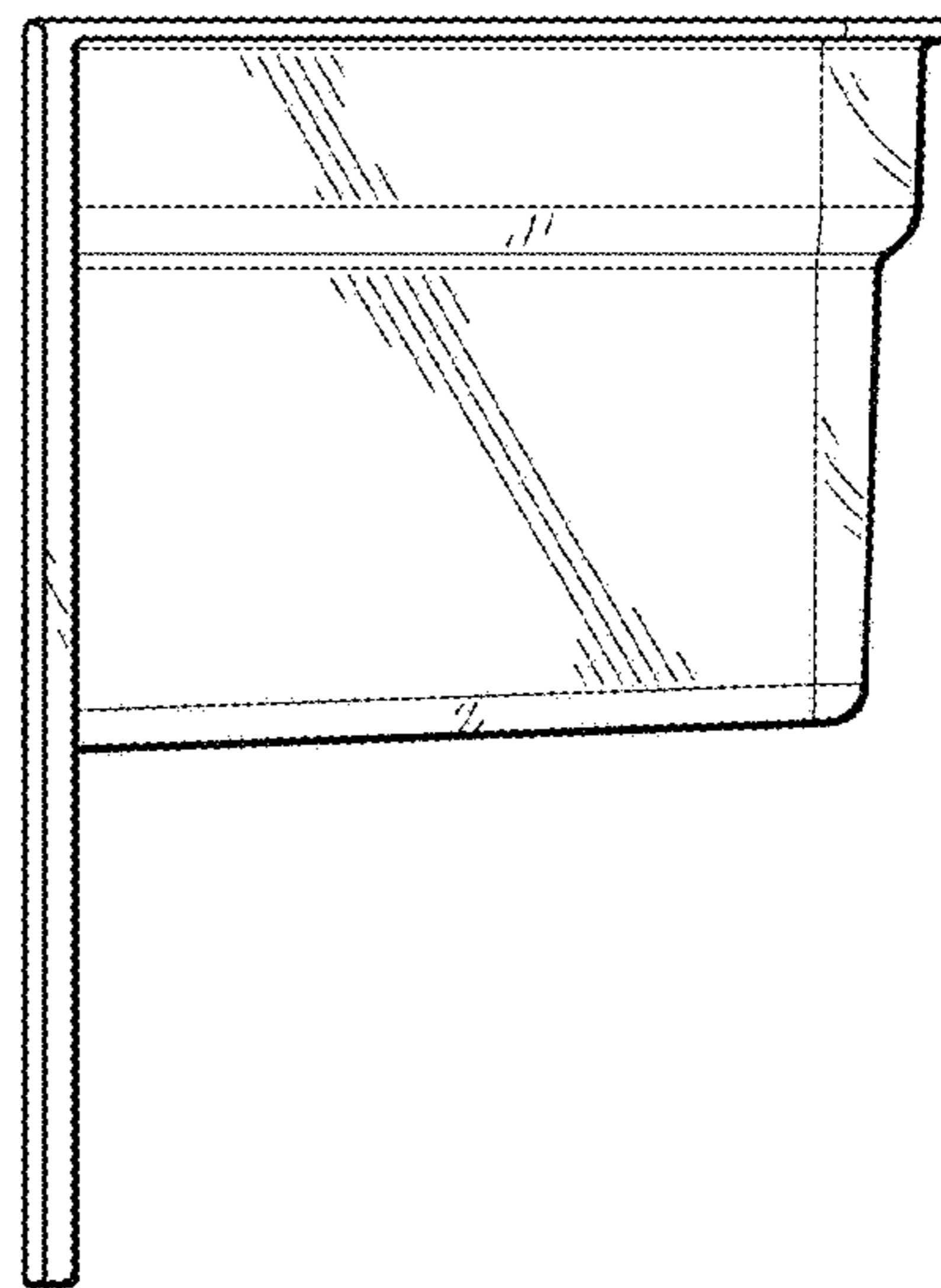


FIG. 5

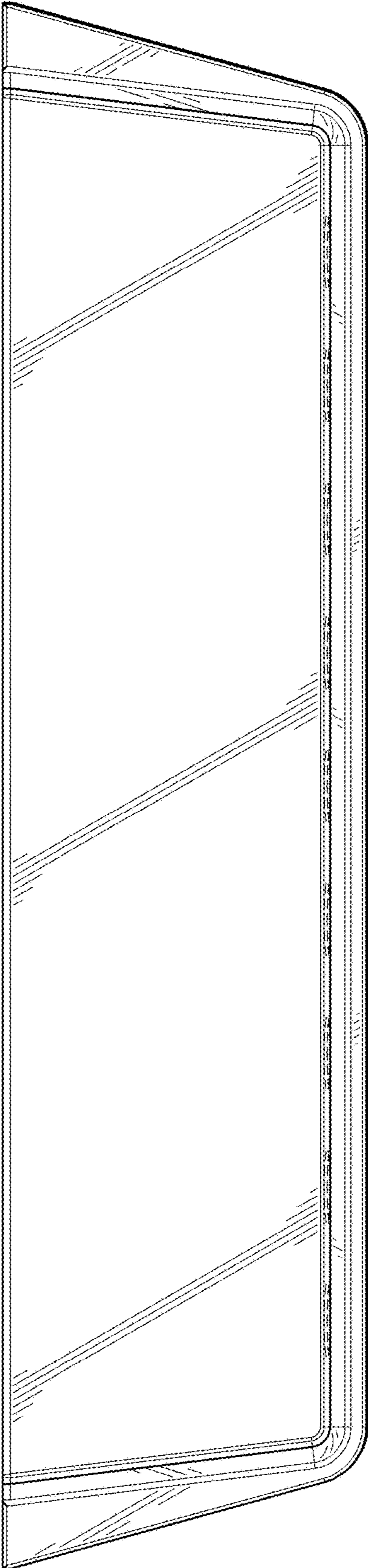


FIG. 6

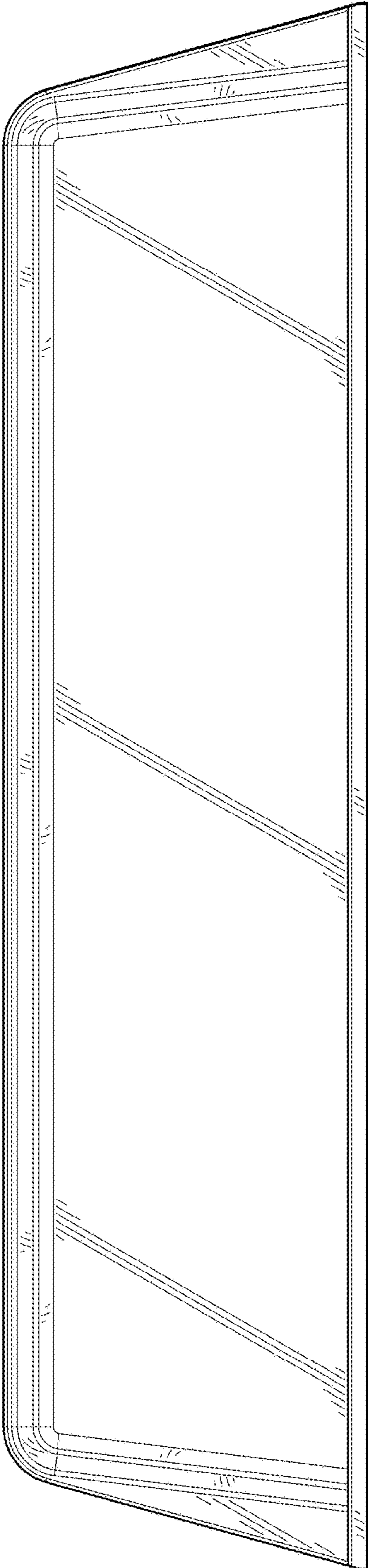


FIG. 7