



US00D833172S

(12) **United States Design Patent** (10) **Patent No.:** **US D833,172 S**
Belokin (45) **Date of Patent:** **** Nov. 13, 2018**

(54) **DUAL-DIRECTIONAL DISPLAY SHELF**
(71) Applicant: **Displays by Martin Paul, Inc.—Creative Center, Denton, TX (US)**
(72) Inventor: **Martin Belokin, Denton, TX (US)**
(73) Assignee: **Displays by Martin Paul, Inc.—Creative Center, Denton, TX (US)**

D375,861 S * 11/1996 Belokin, Jr. D6/570
D400,384 S * 11/1998 Belokin D6/574
D410,359 S * 6/1999 Belokin D6/574
D412,421 S * 8/1999 Belokin D6/574
D413,474 S * 9/1999 Belokin D6/574
D563,710 S * 3/2008 Belokin D6/574
D601,841 S * 10/2009 Neufeld D6/570
D627,214 S * 11/2010 Kluge D8/381
D802,962 S * 11/2017 Bauer D6/552
2003/0209505 A1 * 11/2003 Belokin A47F 5/08
211/75
2016/0106234 A1 * 4/2016 Pichel A47F 3/0486
211/150

(**) Term: **15 Years**

* cited by examiner

(21) Appl. No.: **29/624,172**

Primary Examiner — David G Muller

(22) Filed: **Oct. 30, 2017**

Assistant Examiner — Nathan M Johnston

(51) **LOC (11) Cl.** **06-06**

(52) **U.S. Cl.**
USPC **D6/570**

(58) **Field of Classification Search**
USPC D6/570, 552, 553, 567, 329, 296, 417;
211/64, 13.1, 49.1, 60.1, 70.5, 86.01,
211/87.01, 88.01, 89.01, 181.1, 560;
248/156, 530, 121, 175, 200, 302, 304,
248/309.1, 310, 312; D8/1, 380, 381;
D22/100, 108, 199; 49/94, 37.04;
D21/385, 662, 698
CPC A47B 96/02; A47B 96/06; A47B 96/022;
A47B 57/00; A47F 5/08; A47F 5/0018;
A47F 5/0068
See application file for complete search history.

(57) **CLAIM**

The ornamental design for the dual-directional display shelf, as shown and described.

DESCRIPTION

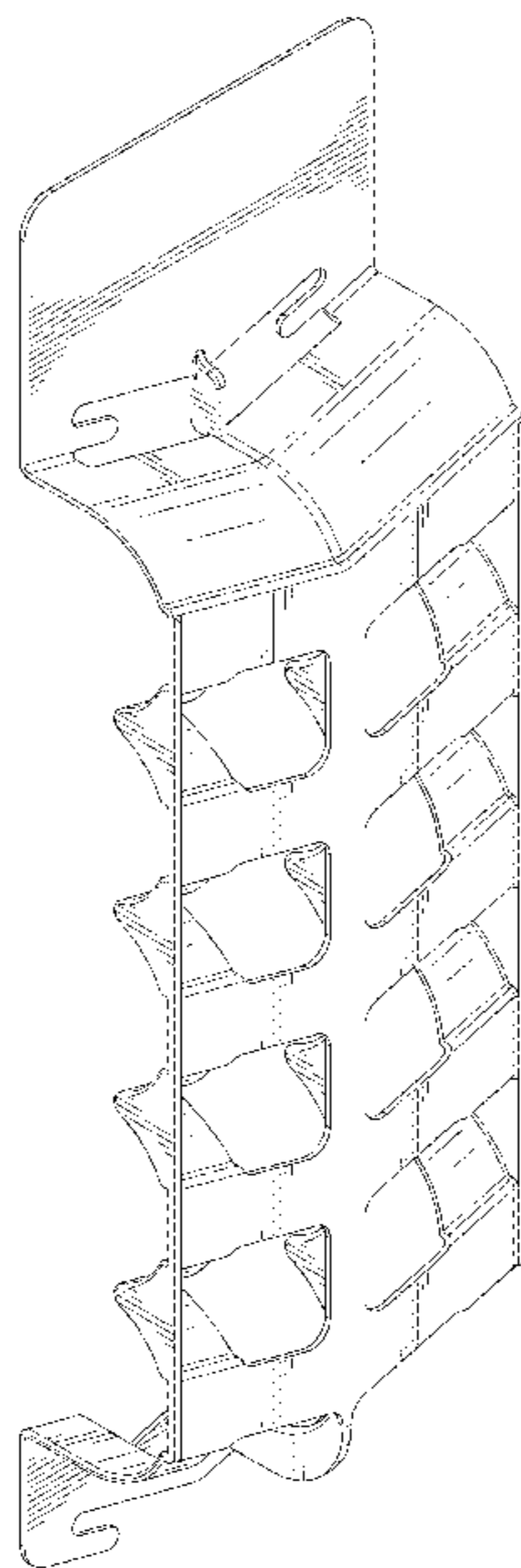
FIG. 1 is a front perspective view of a dual-directional display shelf showing my new design; FIG. 2 is a front elevation view thereof; FIG. 3 is a rear elevation view thereof; FIG. 4 is a right side elevation view thereof; FIG. 5 is a left side elevation view thereof; FIG. 6 is a top plan view thereof; FIG. 7 is a bottom plan view thereof; and, FIG. 8 is a rear perspective view thereof.

(56) **References Cited**

U.S. PATENT DOCUMENTS

3,986,462 A * 10/1976 Heft A47B 96/02
108/188
D260,831 S * 9/1981 Hotchkiss D6/570

1 Claim, 6 Drawing Sheets



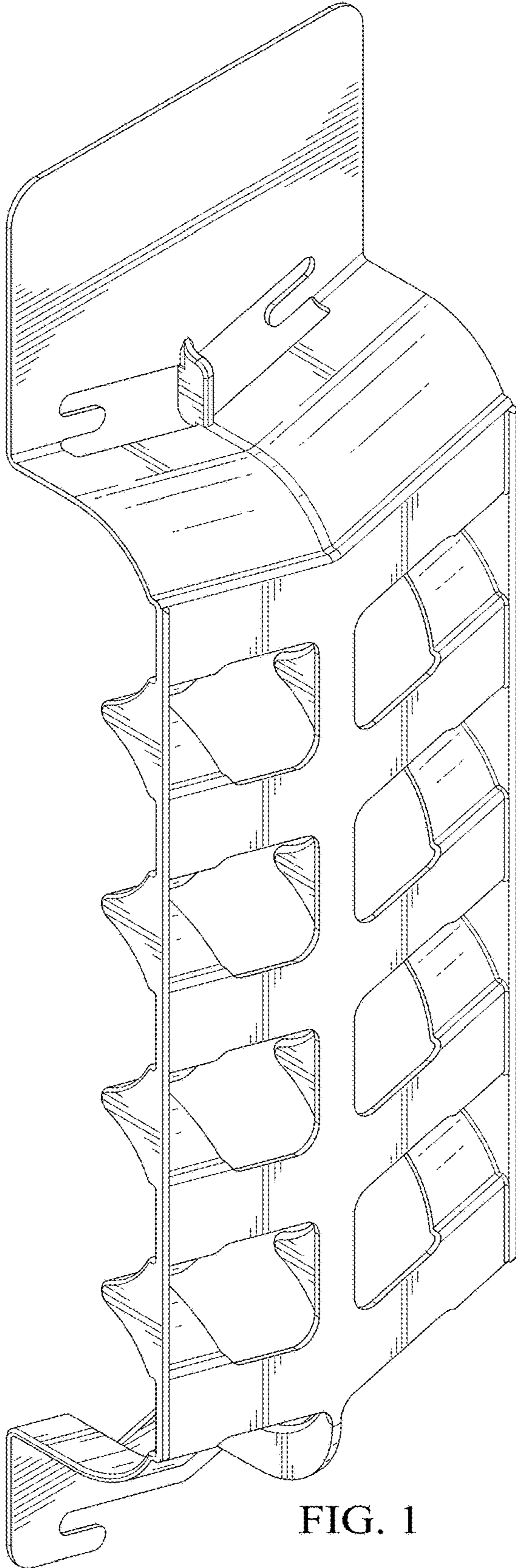


FIG. 1

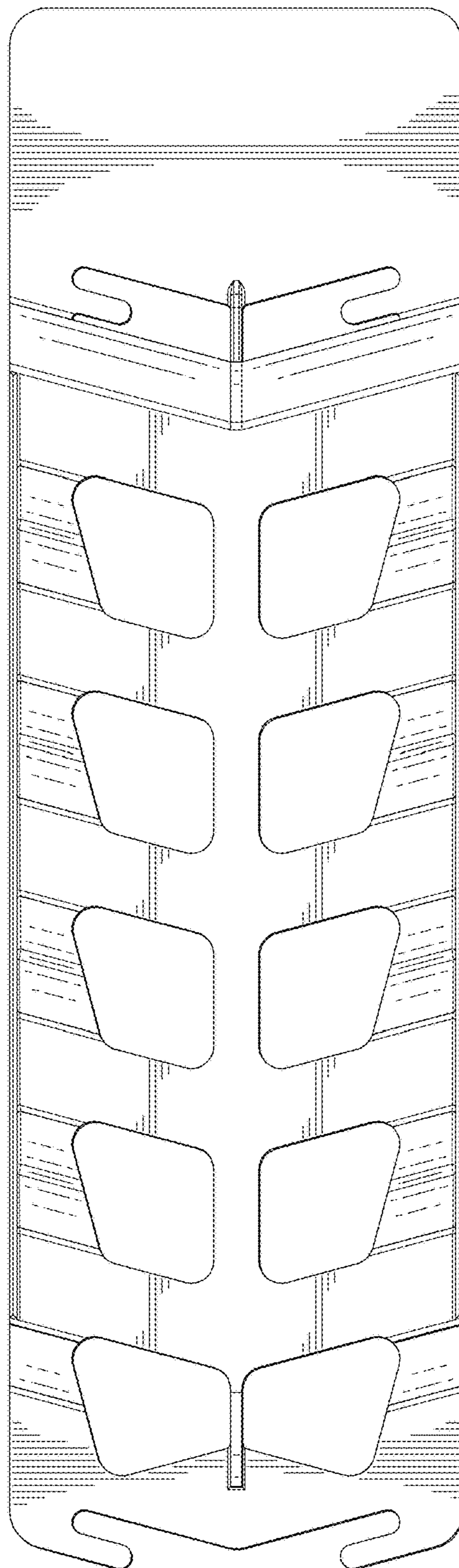


FIG. 2

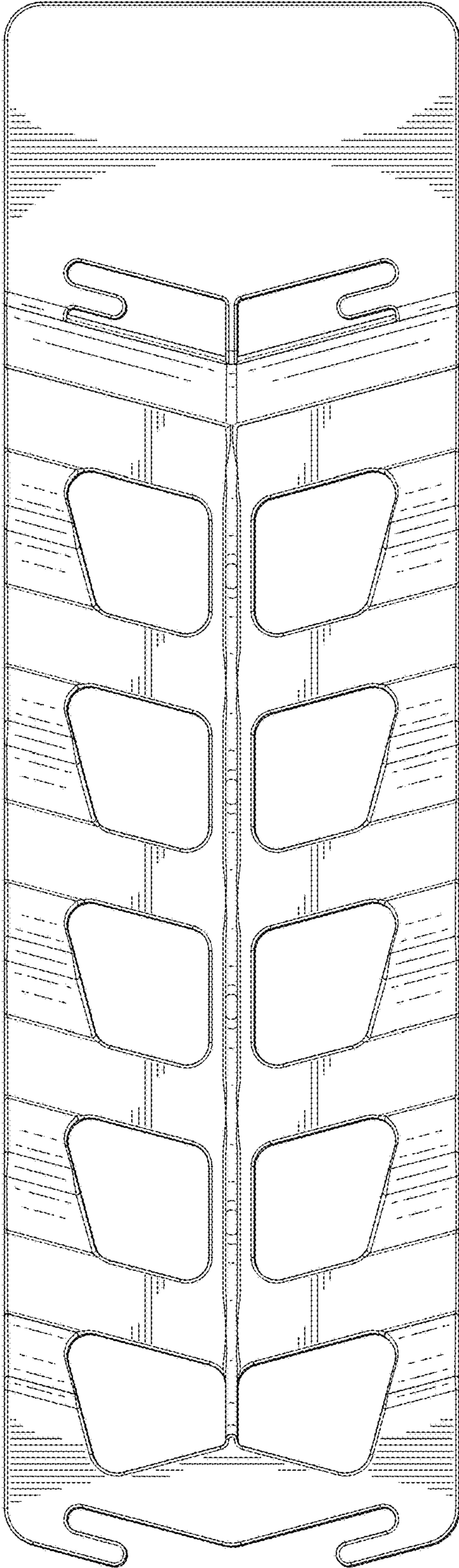
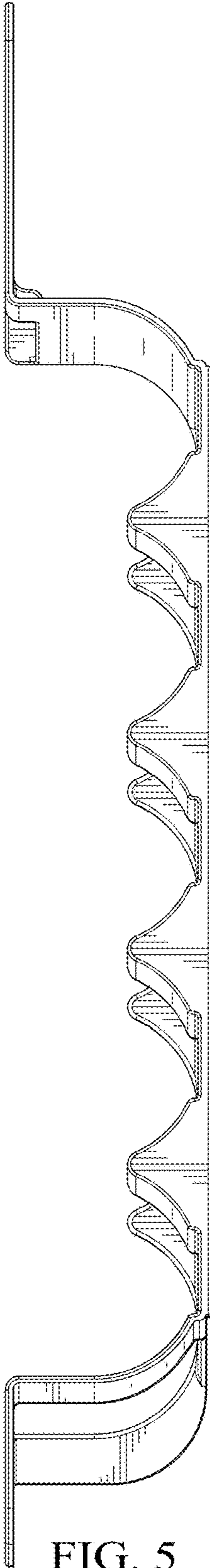
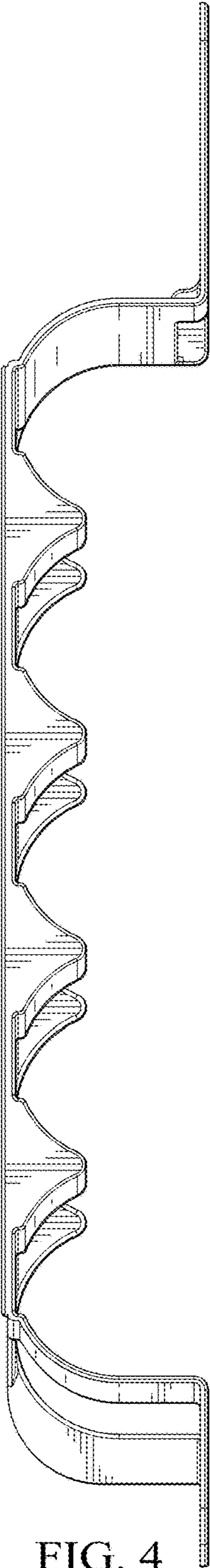


FIG. 3



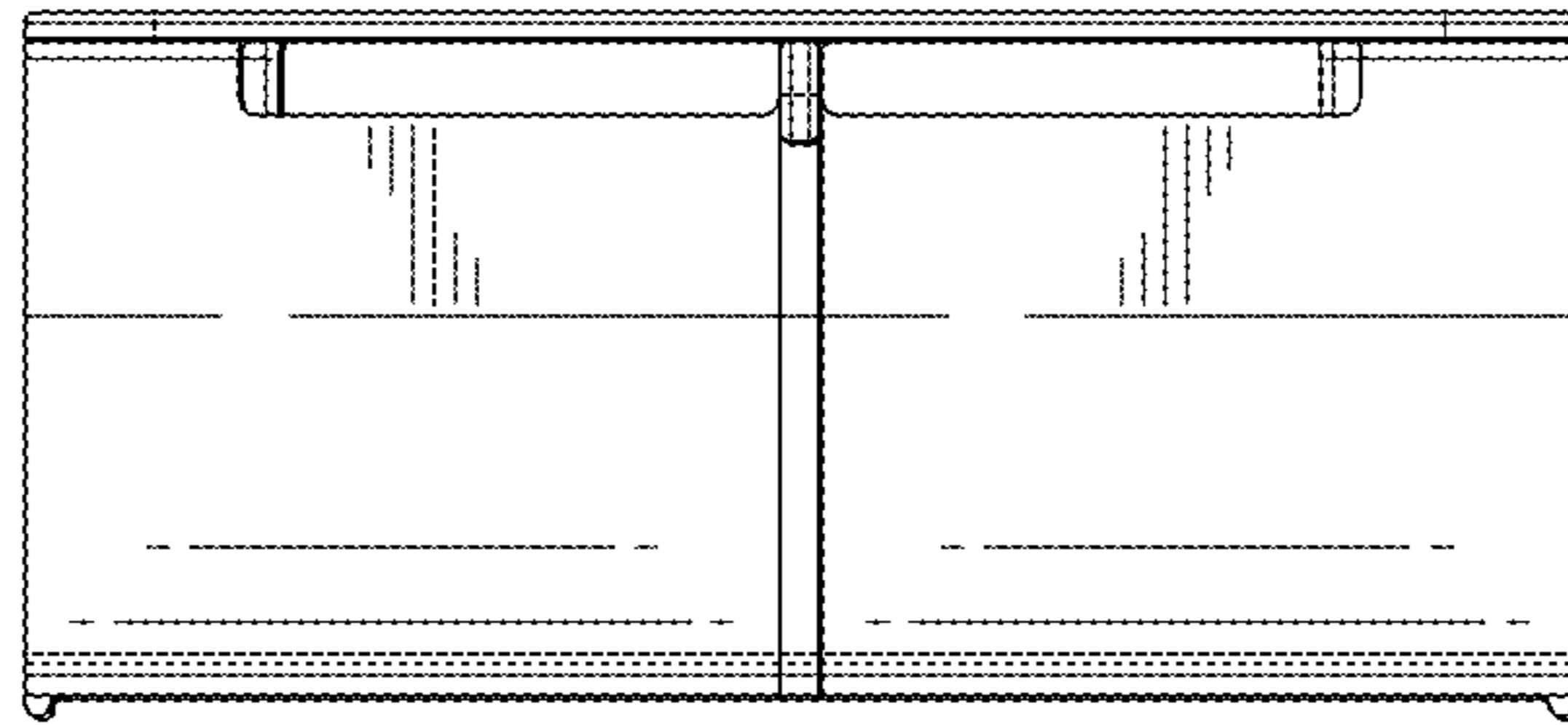


FIG. 6

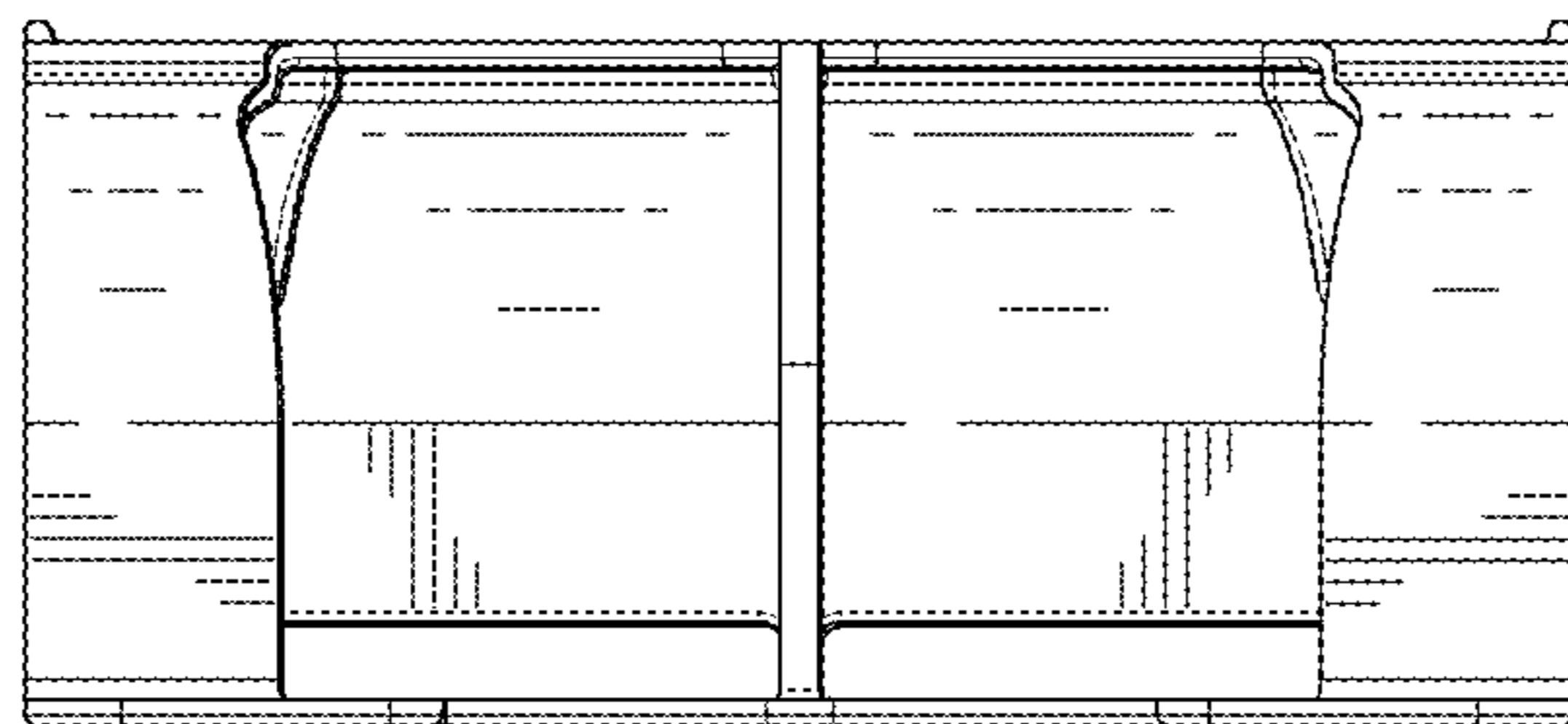


FIG. 7

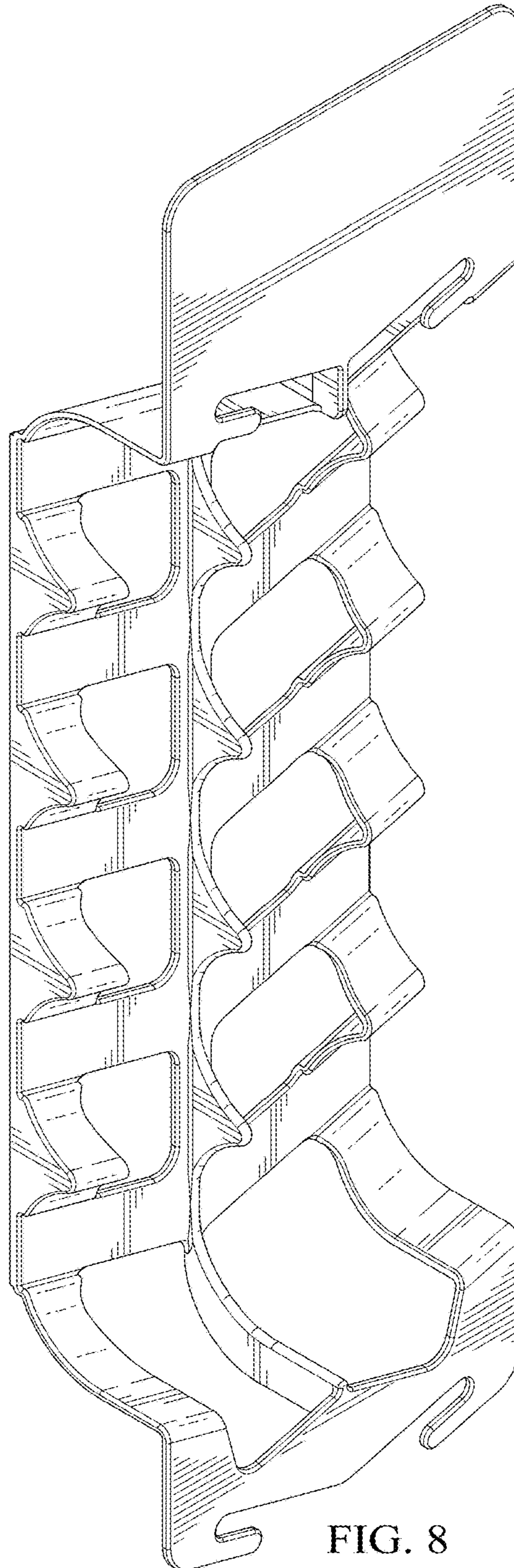


FIG. 8