



US00D833171S

(12) **United States Design Patent** (10) **Patent No.:** **US D833,171 S**
Levy et al. (45) **Date of Patent:** **** Nov. 13, 2018**

(54) **INTERNAL BIN SIGN BACKPLATE**
(71) Applicant: **NAVAJO MANUFACTURING COMPANY, INC.**, Denver, CO (US)
(72) Inventors: **Gordon Levy**, Golden, CO (US); **Shawn Shelton**, Denver, CO (US)
(73) Assignee: **Navajo Manufacturing Company, Inc.**, Denver, CO (US)
(**) Term: **15 Years**

D658,407 S * 5/2012 Pung D6/683
D679,501 S * 4/2013 Hu D3/306
D790,856 S * 7/2017 Levy D3/304
D797,451 S * 9/2017 Levy D3/304
9,980,582 B1 * 5/2018 Levy A47F 5/0823

* cited by examiner

Primary Examiner — Wan Laymon
Assistant Examiner — Mark Booker
(74) *Attorney, Agent, or Firm* — Stuebaker & Brackett PC

(21) Appl. No.: **29/609,753**
(22) Filed: **Jul. 5, 2017**
(51) **LOC (11) Cl.** **20-03**
(52) **U.S. Cl.**
USPC **D6/553**
(58) **Field of Classification Search**
USPC D6/553; D3/304, 305, 306, 307–309, D3/312, 313, 314, 315–316, 672, 672.1, D3/678, 683; D7/601–602; 220/694, 737
CPC . B65D 1/34; B65D 1/36; B65D 21/00; B65D 1/00; B65D 1/22; B65D 71/0003; B65D 2543/00222; B65D 2543/00296; B65D 90/02; A45C 13/083; A47F 1/04; A47B 83/001; A47B 87/008; A47J 2043/0738; A47J 47/12
See application file for complete search history.

(57) **CLAIM**

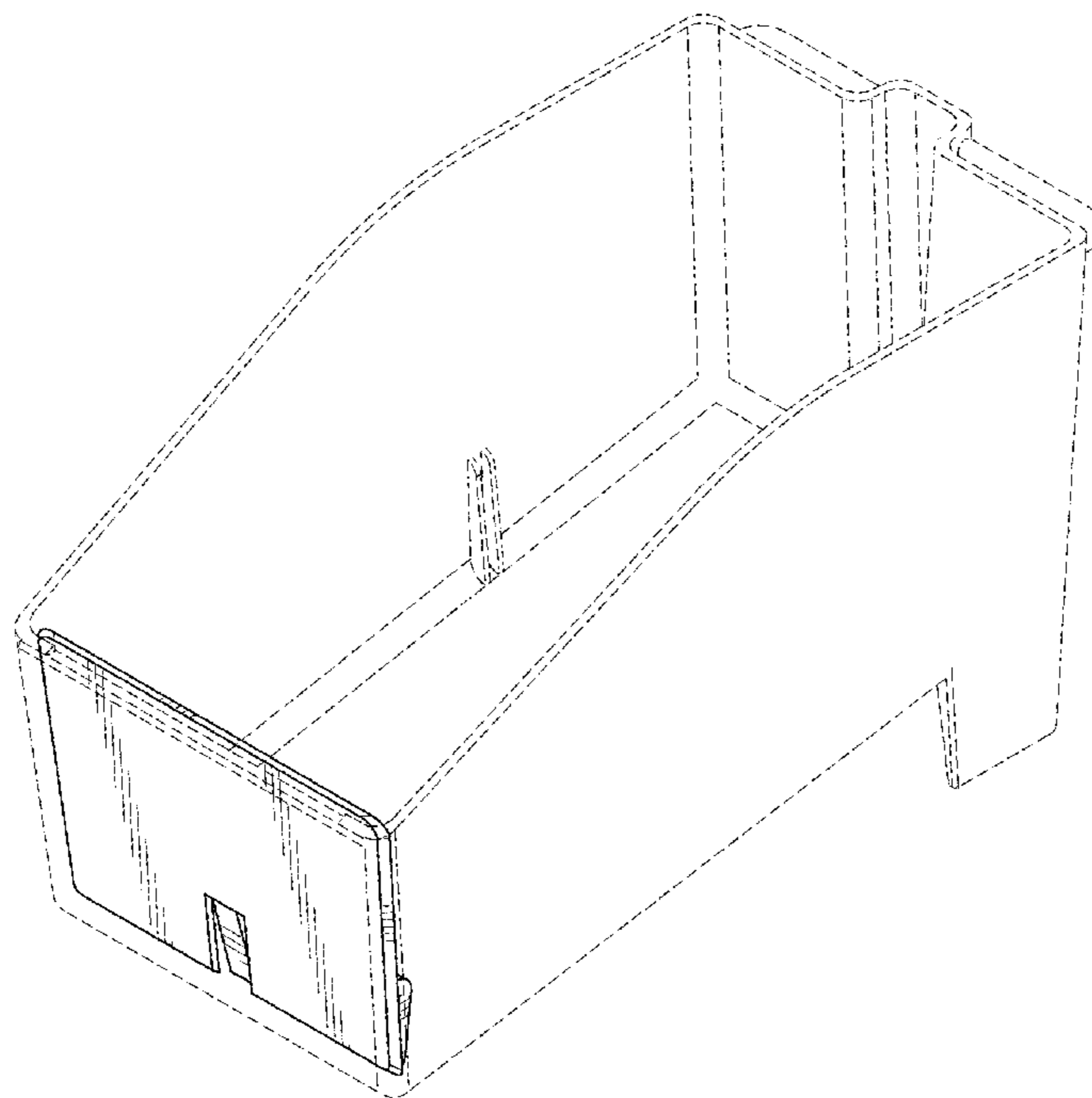
The ornamental design for an internal bin sign backplate, as shown and described.

DESCRIPTION

FIG. 1 is a front perspective view showing our new design for an internal bin sign backplate, FIG. 2 is a left side view thereof, FIG. 3 is a front perspective view thereof, FIG. 4 is a rear perspective view thereof, FIG. 5 is a front view thereof, FIG. 6 is a rear view thereof, FIG. 7 is a top view thereof, FIG. 8 is a bottom view thereof, and FIG. 9 is a left side view thereof; and, FIG. 10 is a right side view thereof. The broken lines shown in the figures represent portions of the internal bin sign backplate that form no part of the claimed design.

(56) **References Cited**
U.S. PATENT DOCUMENTS
D409,387 S * 5/1999 Yemini D3/304
D589,728 S * 4/2009 Shaha D3/304

1 Claim, 5 Drawing Sheets



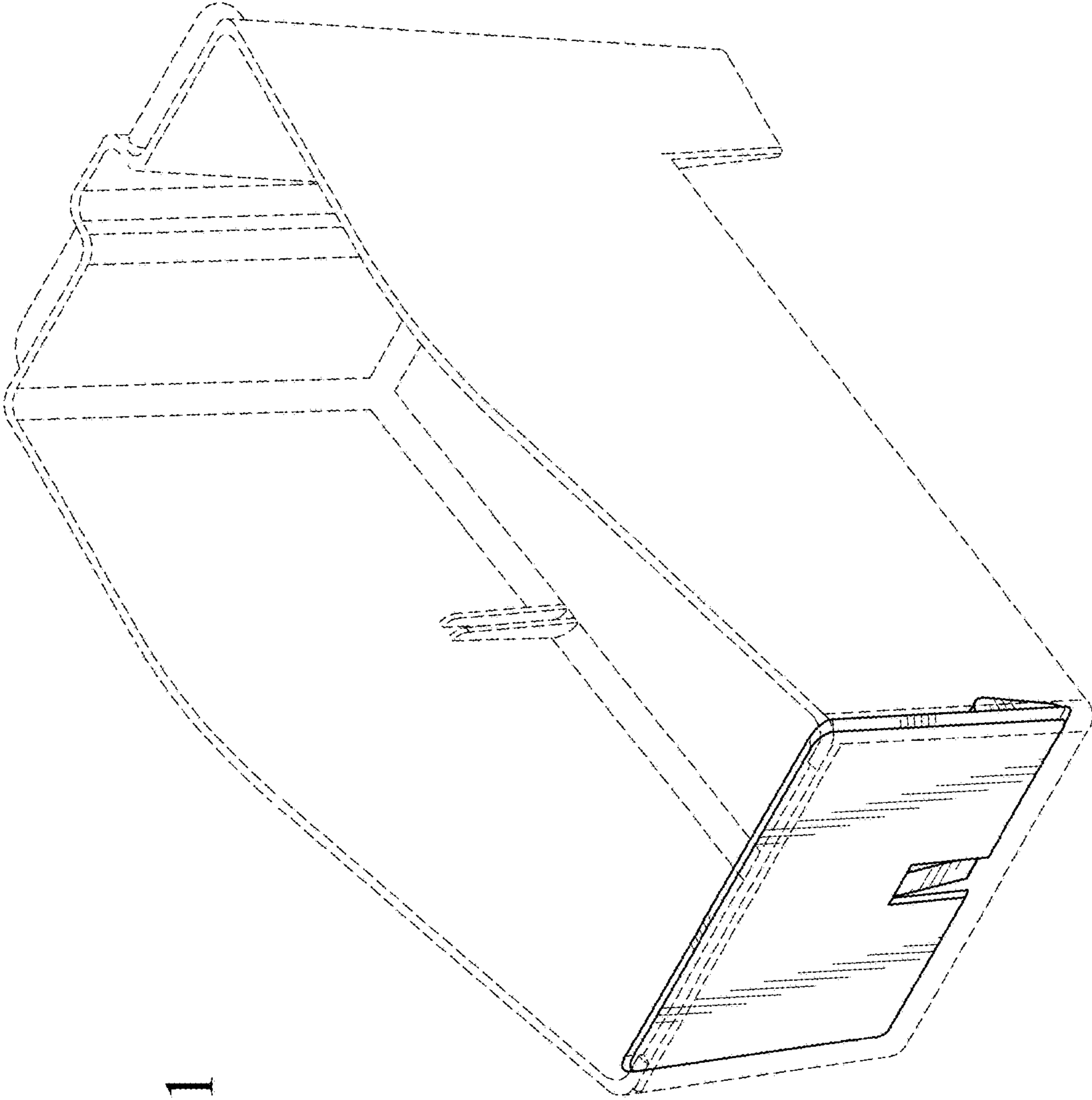


FIG. 1

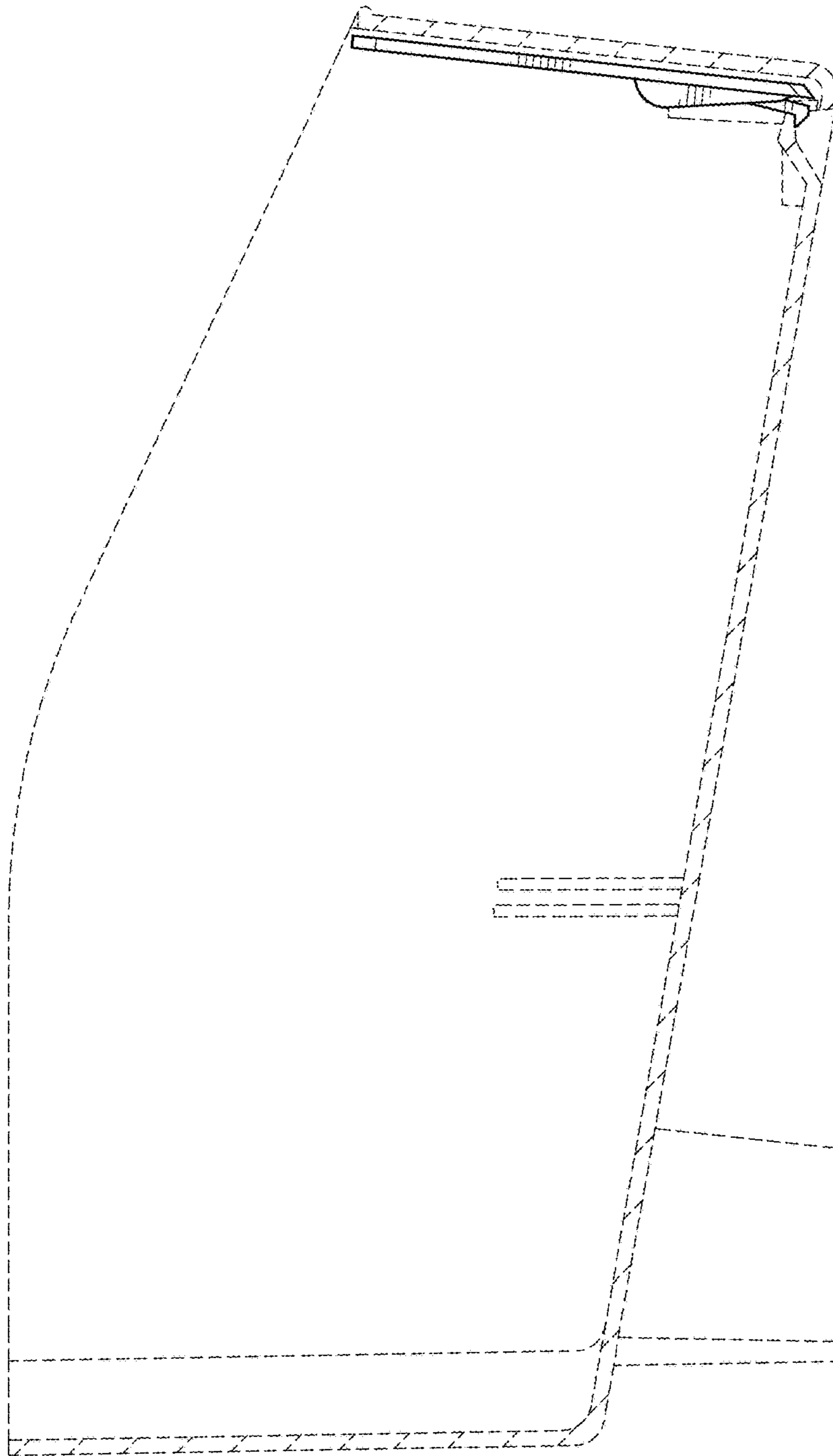


FIG. 2

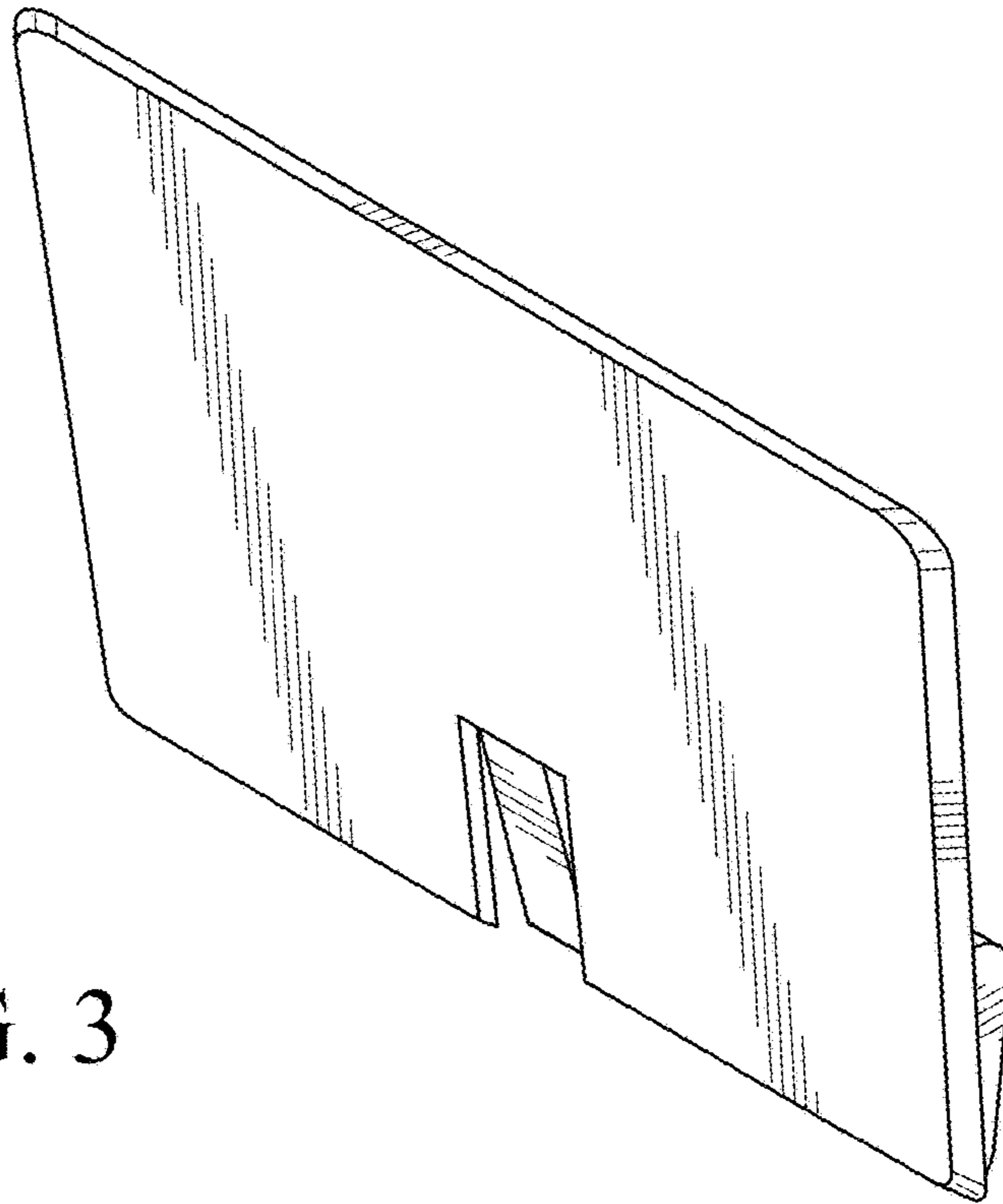


FIG. 3

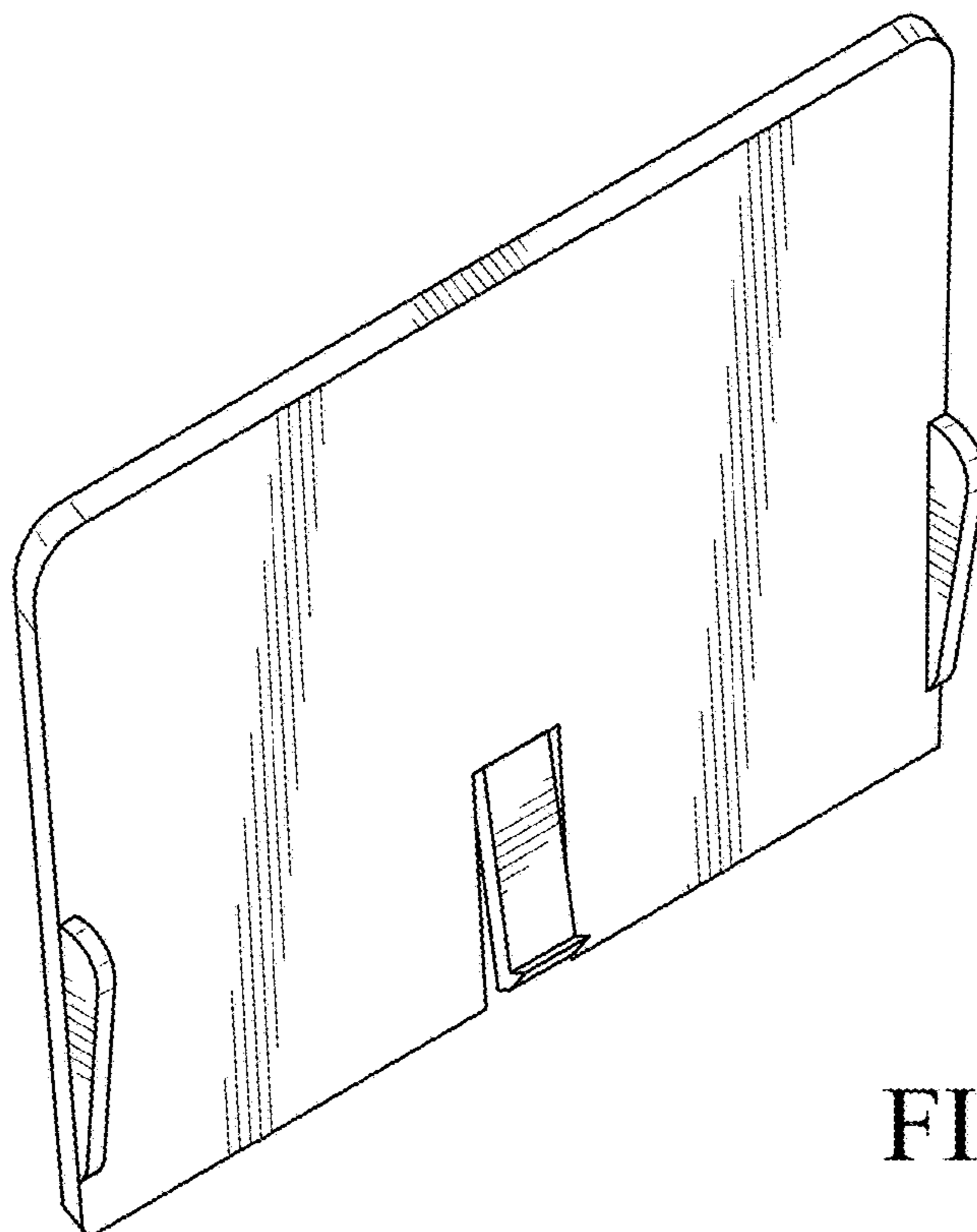


FIG. 4

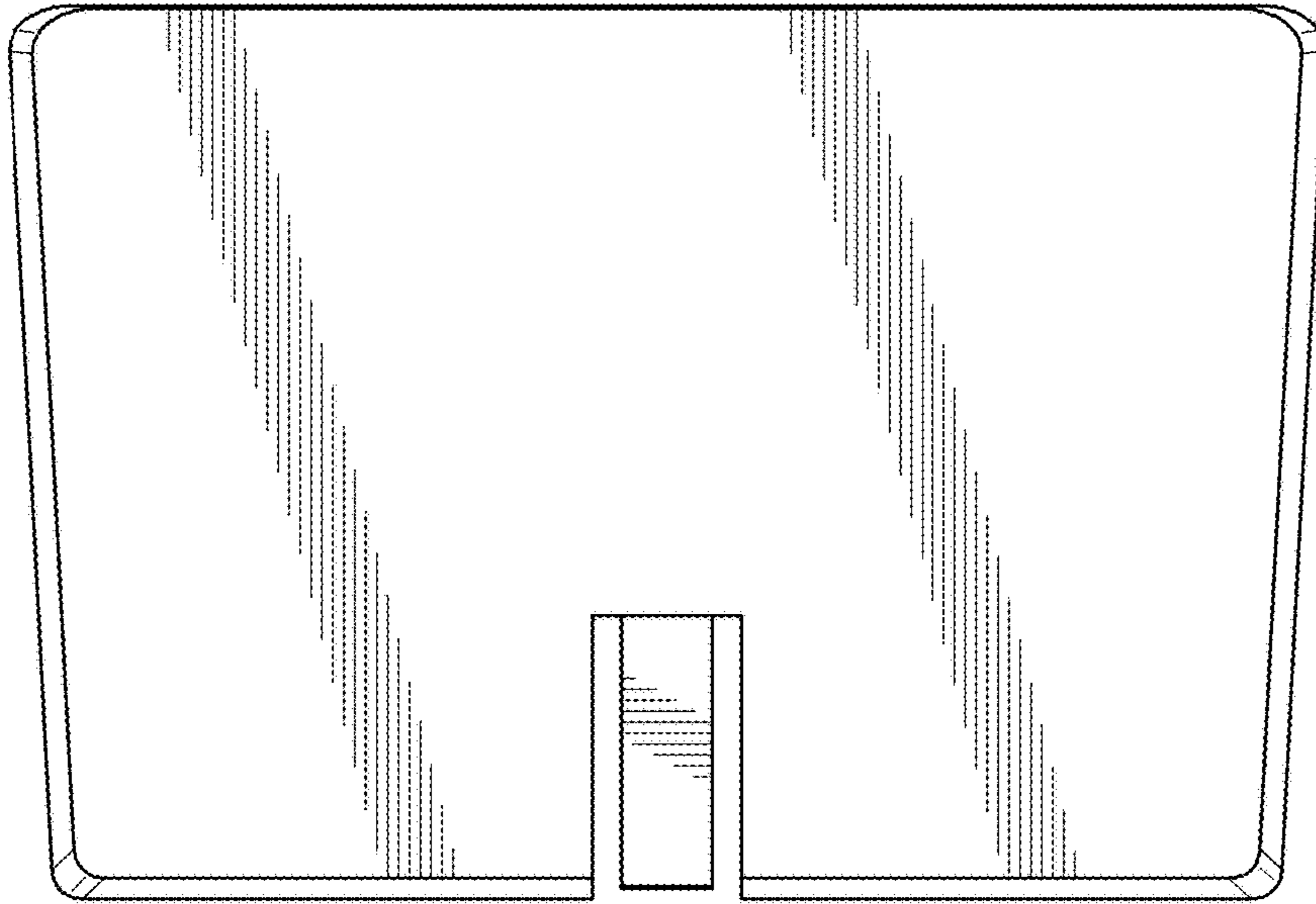


FIG. 5

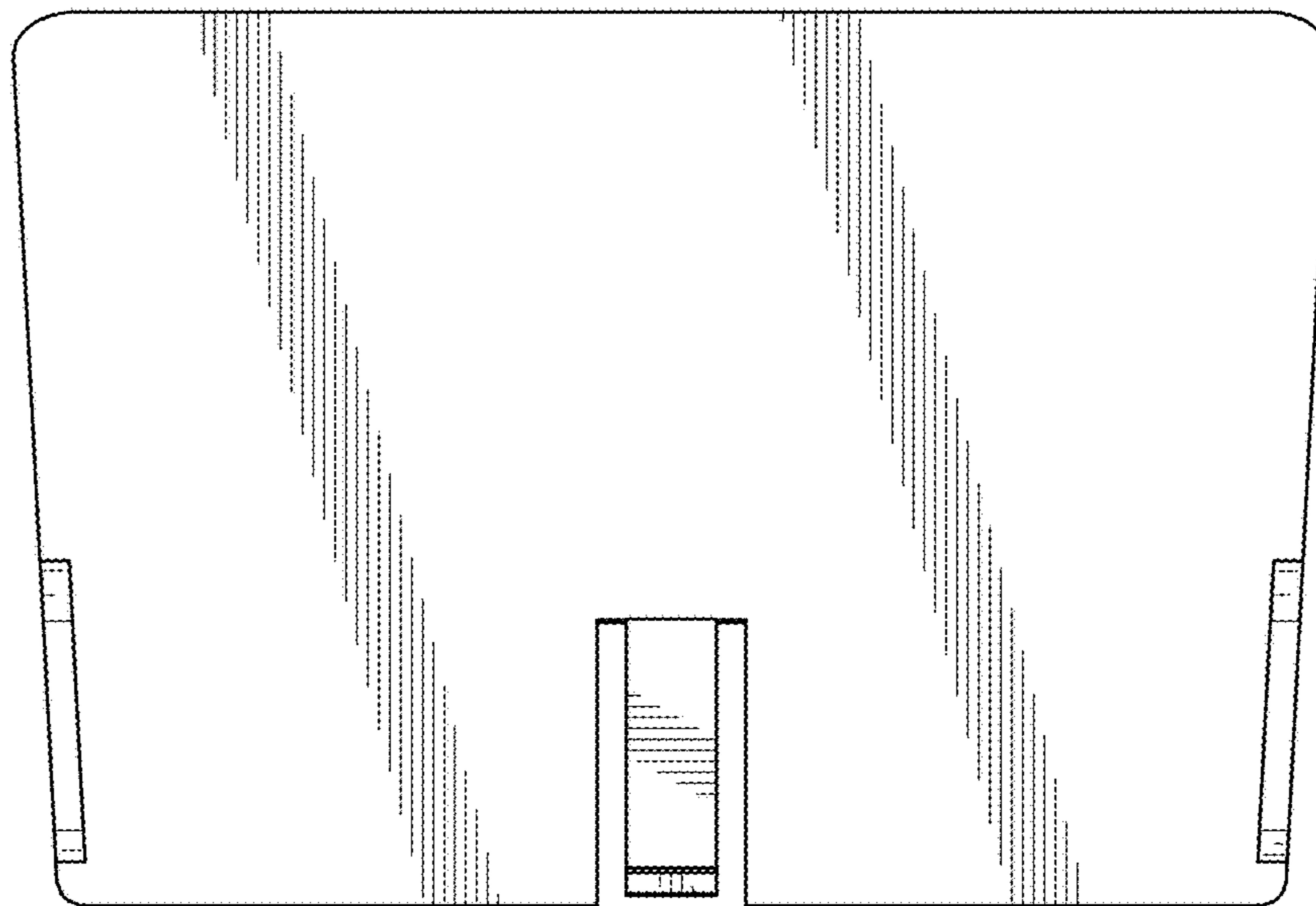


FIG. 6

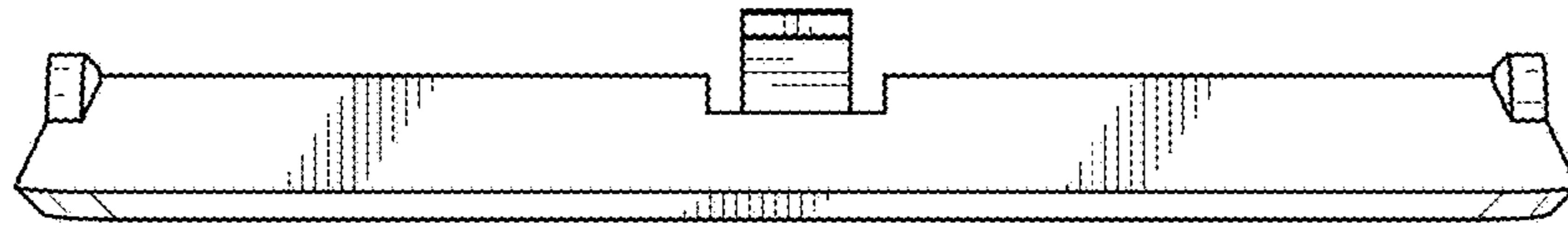


FIG. 7

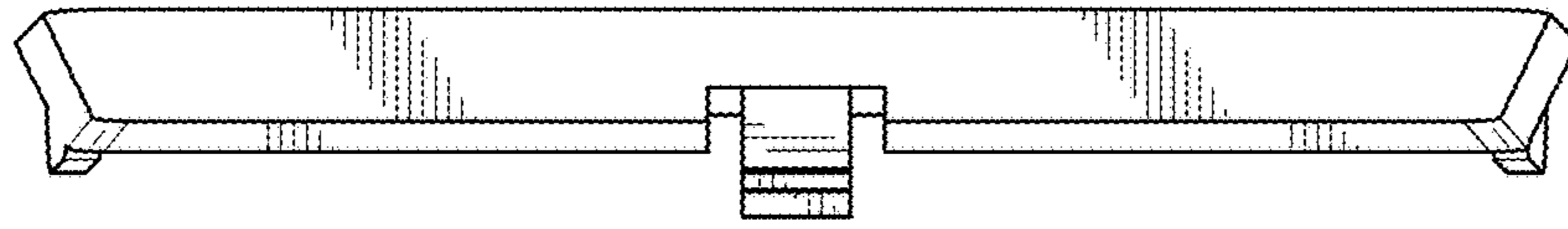


FIG. 8

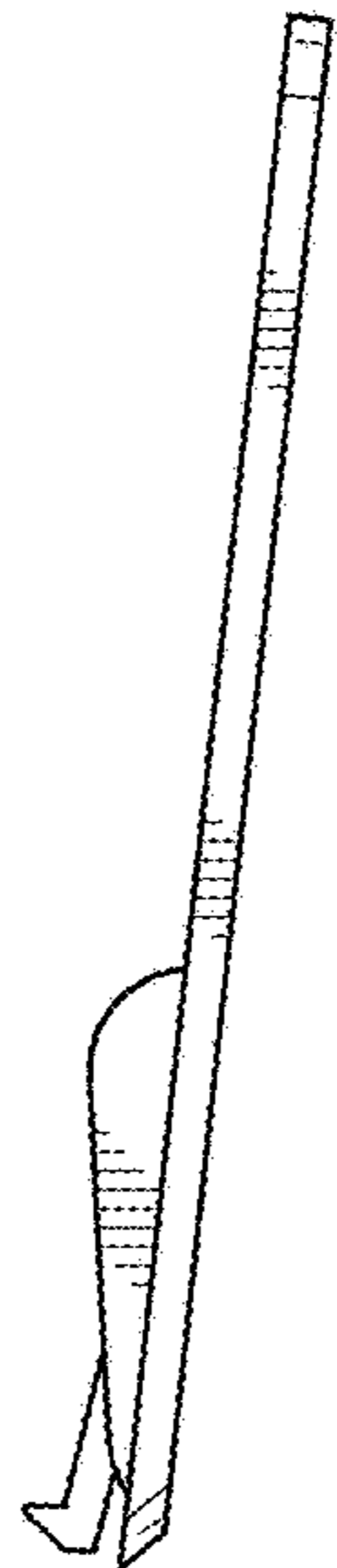


FIG. 9

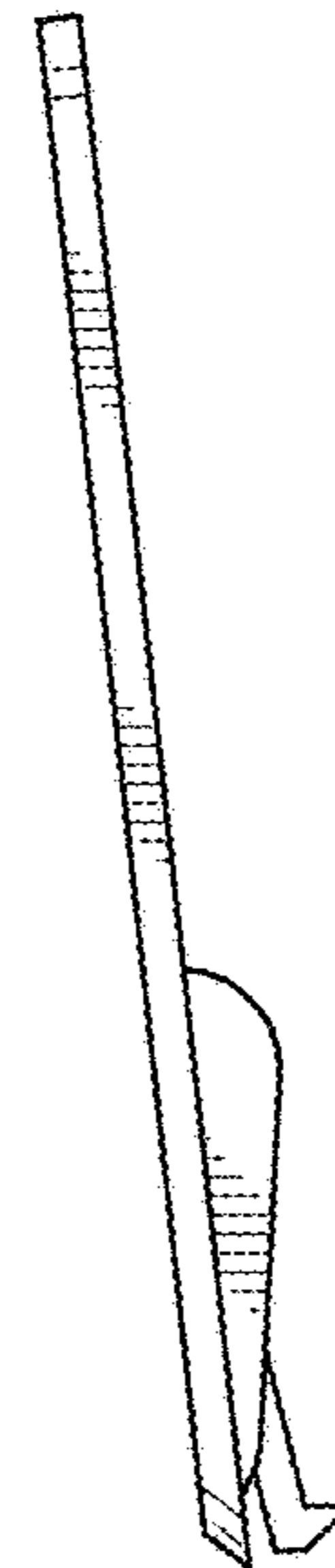


FIG. 10