



US00D833170S

(12) **United States Design Patent** (10) **Patent No.:** **US D833,170 S**
Ford (45) **Date of Patent:** **** Nov. 13, 2018**

(54) **SKATEBOARD RACK**
(71) Applicant: **Encat Pty Ltd**, Unanderra (AU)
(72) Inventor: **John Arthur Ford**, Yallah (AU)
(73) Assignee: **Encat Pty Ltd**, Unanderra (AU)
(**) Term: **15 Years**

D473,991 S * 4/2003 Moon D34/14
D607,306 S * 1/2010 Muncy H01R 13/5812
D8/349
D609,516 S * 2/2010 Vining D6/552
D655,548 S * 3/2012 Lawrence D6/552
D688,490 S * 8/2013 Pepe D6/552
D699,477 S * 2/2014 Allen D6/552
D802,962 S * 11/2017 Bauer D6/552
D813,567 S * 3/2018 Browning D6/552

(21) Appl. No.: **29/625,025**
(22) Filed: **Nov. 6, 2017**

(30) **Foreign Application Priority Data**

May 5, 2017 (AU) 201712696

(51) **LOC (11) Cl.** **08-08**

(52) **U.S. Cl.**
USPC **D6/552**

(58) **Field of Classification Search**
USPC D6/552, 553, 567, 329, 296, 417;
211/64, 13.1, 49.1, 60.1, 70.5, 86.01,
211/87.01, 88.01, 89.01, 181.1, 560;
248/156, 530, 121, 175, 200, 302, 304,
248/309.1, 310, 312; D8/1, 380, 381;
D22/100, 108, 199; 49/94, 37.04;
D21/385, 662, 698
CPC ... A47B 81/005; A47B 96/16; A47B 96/1466;
A47B 96/06; B60R 7/14; B60N
2002/4405; Y10D 224/903
See application file for complete search history.

(56) **References Cited**

U.S. PATENT DOCUMENTS

D164,503 S * 9/1951 Kerr 211/14
D269,572 S * 7/1983 Aspenwall D6/552
5,657,883 A * 8/1997 Badia A01K 97/10
211/60.1
D434,587 S * 12/2000 Beard, Sr. D21/796
D464,508 S * 10/2002 Wilfer D6/552

OTHER PUBLICATIONS

Encat.com website, Skateboard Rack Park, Mar. 15, 2018, <http://www.encat.com.au/skateboard-rack/skateboard-rack-park> (Year: 2018).*

* cited by examiner

Primary Examiner — David G Muller

Assistant Examiner — Nathan M Johnston

(74) *Attorney, Agent, or Firm* — Dascenzo Intellectual Property Law, P.C.; David S. D'Ascenzo

(57) **CLAIM**

The design for a skateboard rack, as shown and described.

DESCRIPTION

FIG. 1 is an isometric view of a skateboard rack showing the new design.

FIG. 2 is a front view of the design of FIG. 1, the rear view not forming part of the claimed design.

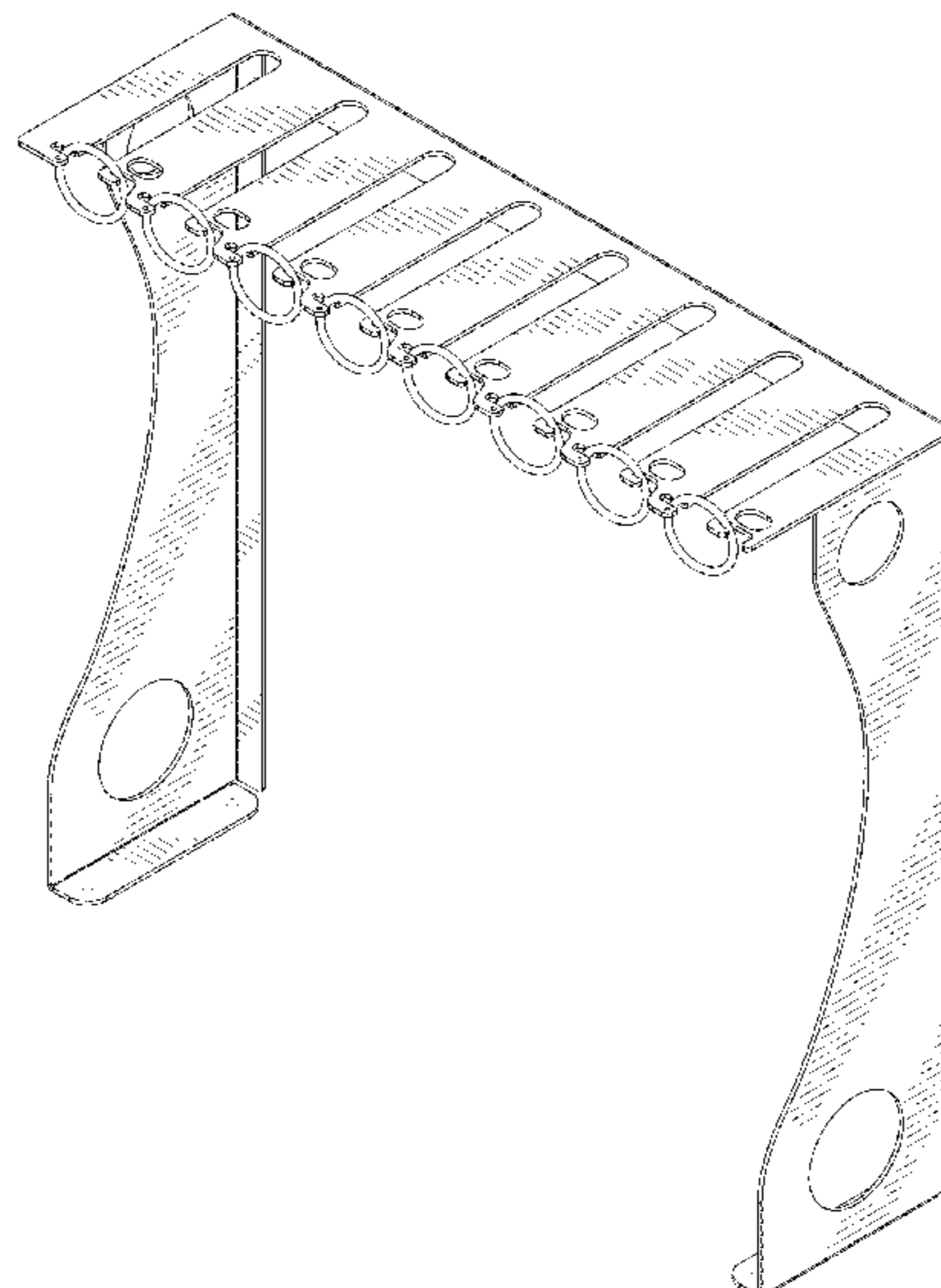
FIG. 3 is a right side view of the design of FIG. 1.

FIG. 4 is a left side view of the design of FIG. 1; and,

FIG. 5 is a top view of the design of FIG. 1, the bottom view not forming part of the claimed design.

The shading lines shown in the drawings represent the three-dimensional contour of the presently claimed design and are not intended to indicate surface decoration. The dashed lines shown in the drawings indicate portions of the design that are not presently claimed and thus form no part of the presently claimed design.

1 Claim, 4 Drawing Sheets



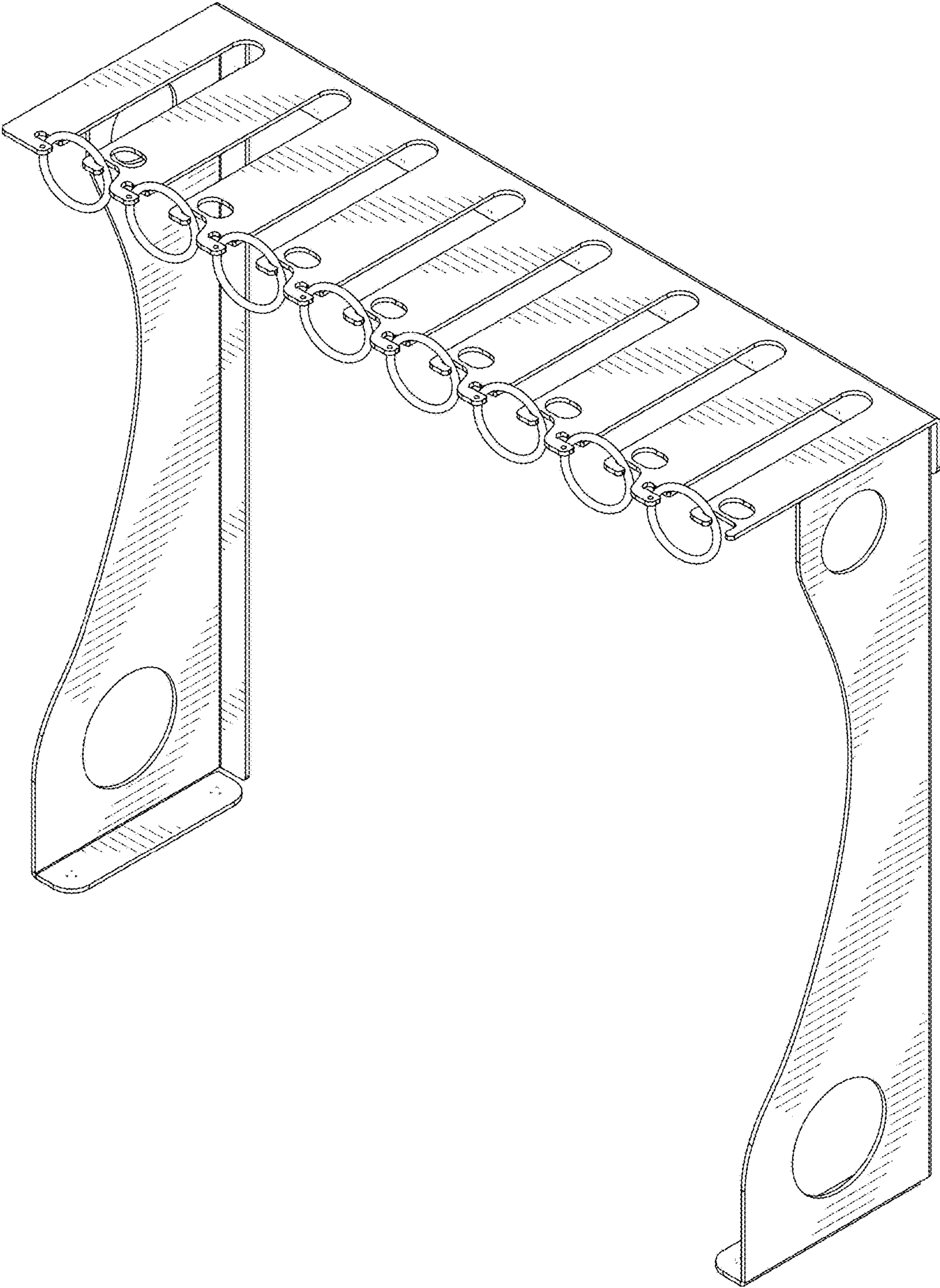


FIG. 1

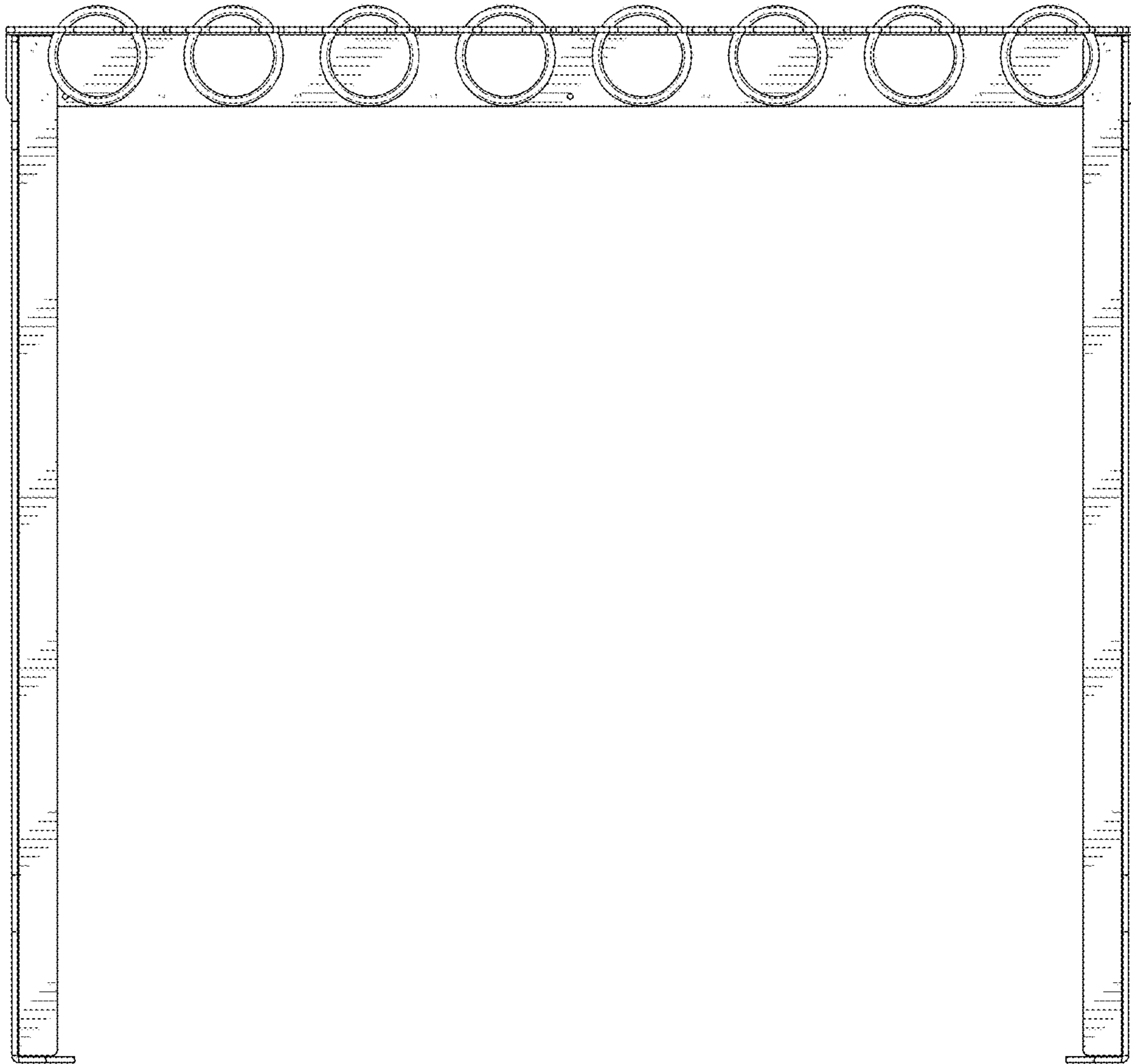


FIG. 2

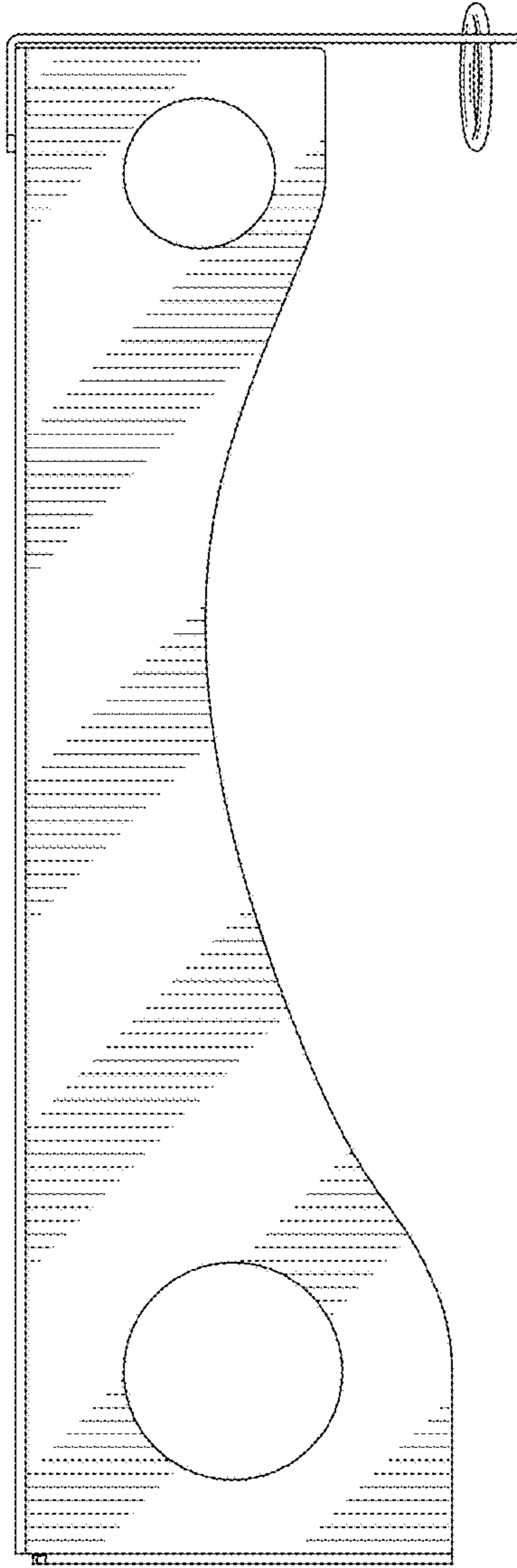


FIG. 3

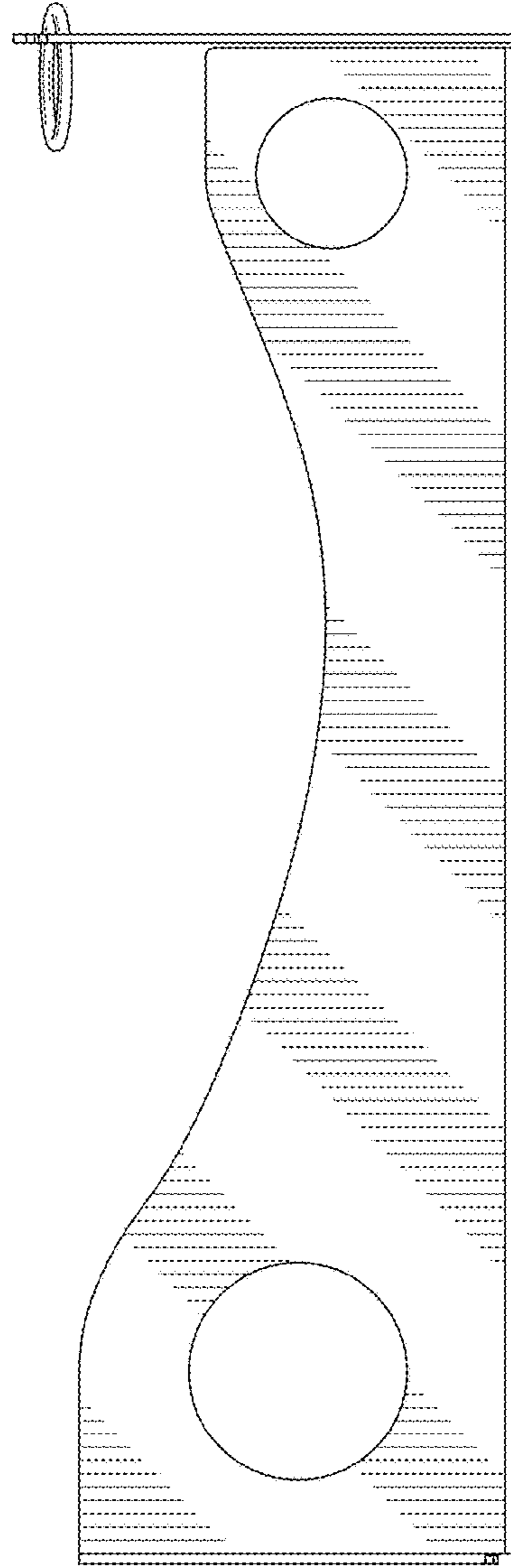


FIG. 4

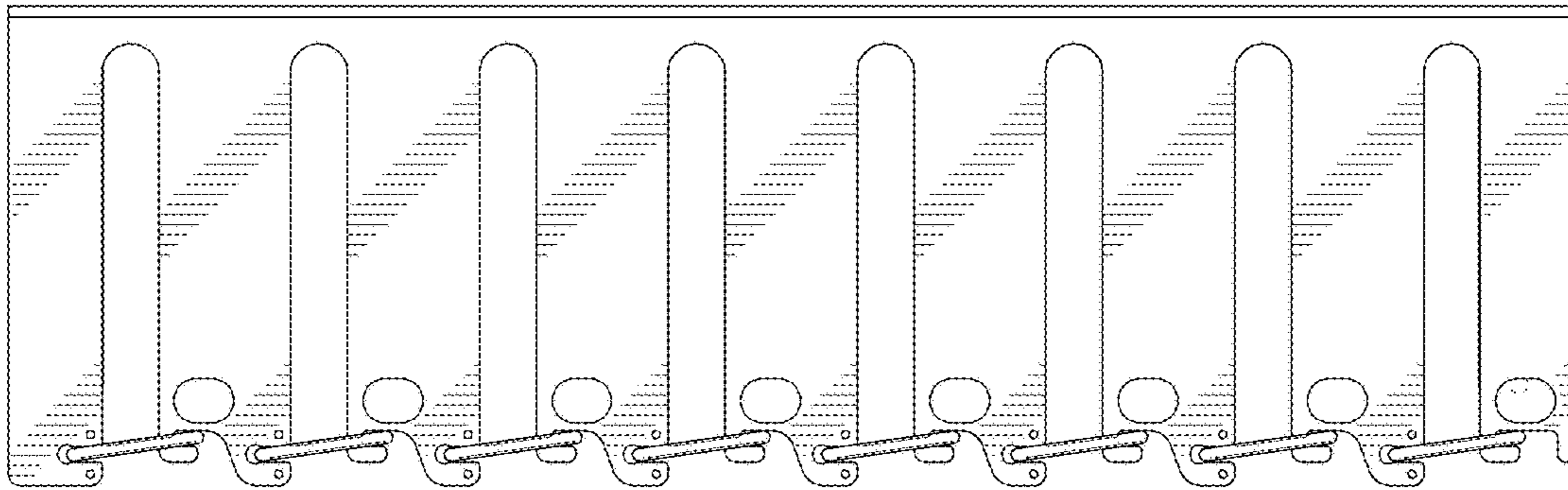


FIG. 5