



US00D833169S

(12) **United States Design Patent** (10) **Patent No.:** **US D833,169 S**
Joseph (45) **Date of Patent:** **** Nov. 13, 2018**

(54) **SOAP DISH**

(71) Applicant: **Rony Koshy Joseph**, West Lafayette,
IN (US)

(72) Inventor: **Rony Koshy Joseph**, West Lafayette,
IN (US)

(**) Term: **15 Years**

(21) Appl. No.: **29/625,361**

(22) Filed: **Nov. 9, 2017**

(51) **LOC (11) Cl.** **23-02**

(52) **U.S. Cl.**
USPC **D6/536**

(58) **Field of Classification Search**
USPC D6/536, 708.18, 529, 532, 539-540;
D7/502, 550.1, 554.2; D30/121, 128,
D30/130, 132, 133; 108/154, 155;
206/557, 823; D28/73
CPC A47K 5/03; A47K 5/02
See application file for complete search history.

(56) **References Cited**

U.S. PATENT DOCUMENTS

D362,986 S * 10/1995 Kuan D6/536
D368,195 S * 3/1996 Scott D6/536

D399,688 S * 10/1998 Freeman D6/536
D408,187 S * 4/1999 Forcella, Jr. D6/540
D512,862 S * 12/2005 Hoernig D6/540
D615,789 S * 5/2010 Scott D6/536
D704,954 S * 5/2014 Lee D6/536
D803,598 S * 11/2017 Li D6/536

* cited by examiner

Primary Examiner — Wan Laymon
Assistant Examiner — Mark Booker

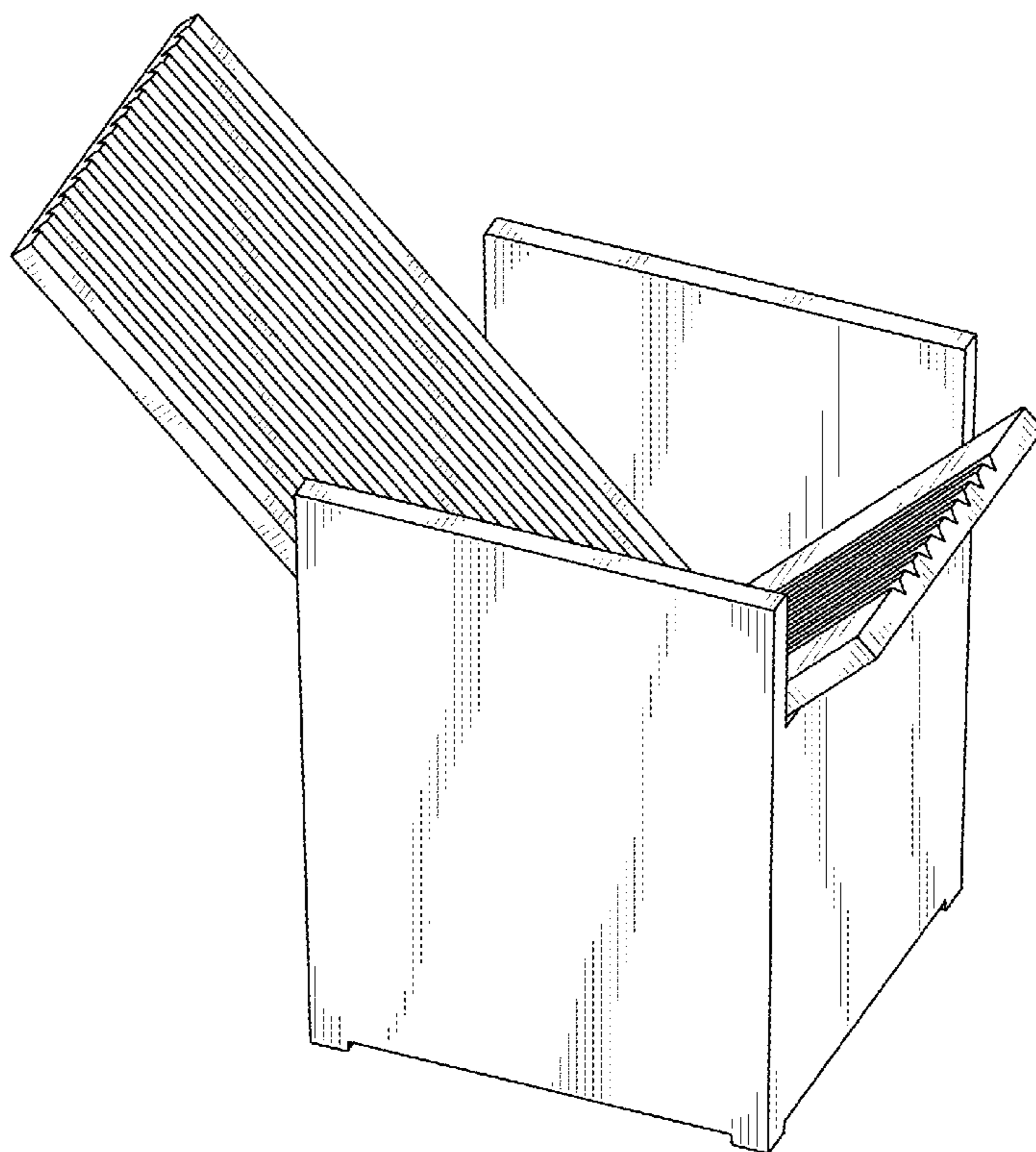
(57) **CLAIM**

The ornamental design for a soap dish, as shown and described.

DESCRIPTION

FIG. 1 is a front perspective view of the soap dish showing my new design;
FIG. 2 is a front elevation view thereof;
FIG. 3 is a rear elevation view thereof;
FIG. 4 is a left side elevation view thereof;
FIG. 5 is a right side elevation view thereof;
FIG. 6 is a top plan view thereof; and,
FIG. 7 is a bottom plan view thereof.

1 Claim, 5 Drawing Sheets



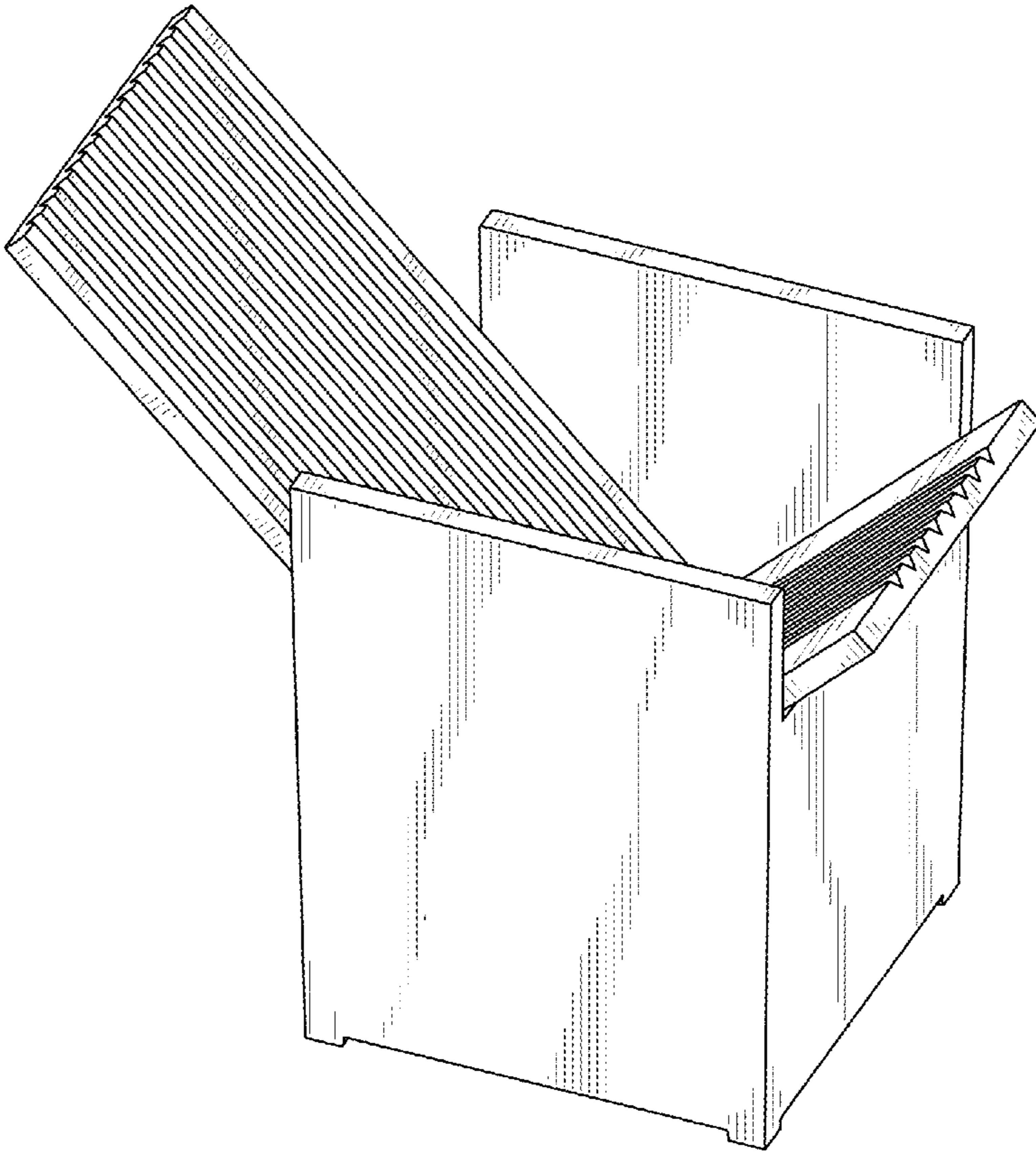


FIG. 1

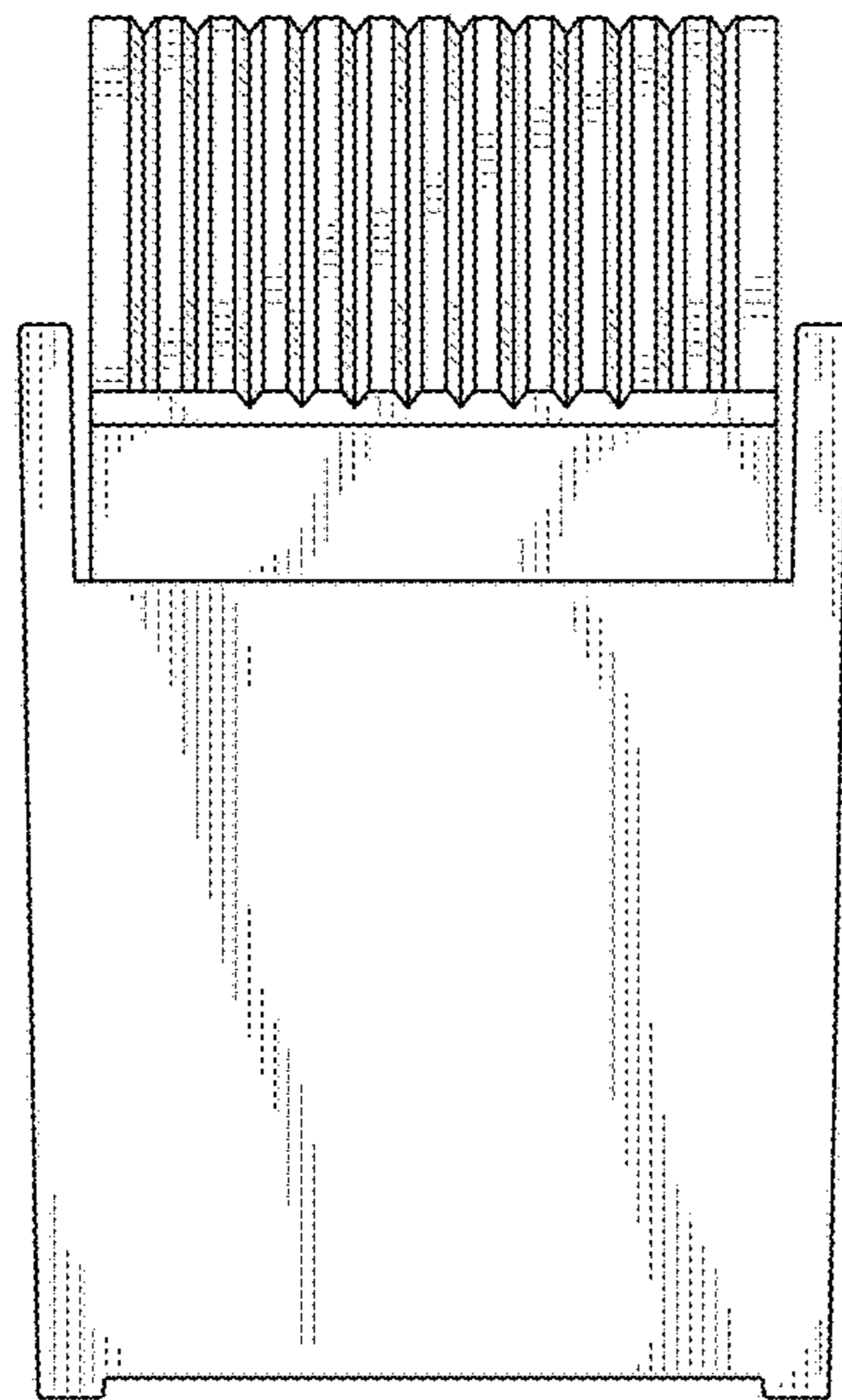


FIG. 2

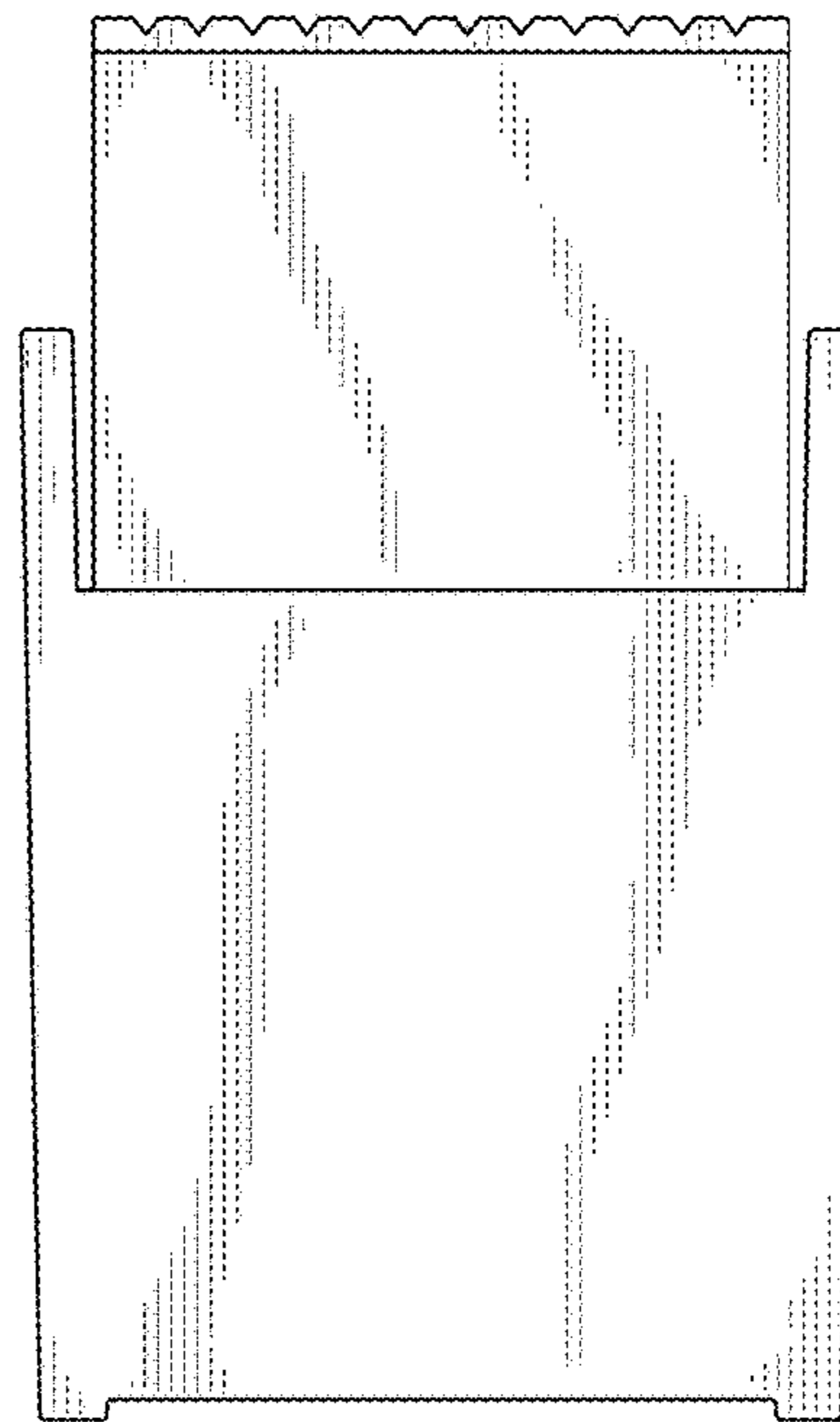


FIG. 3

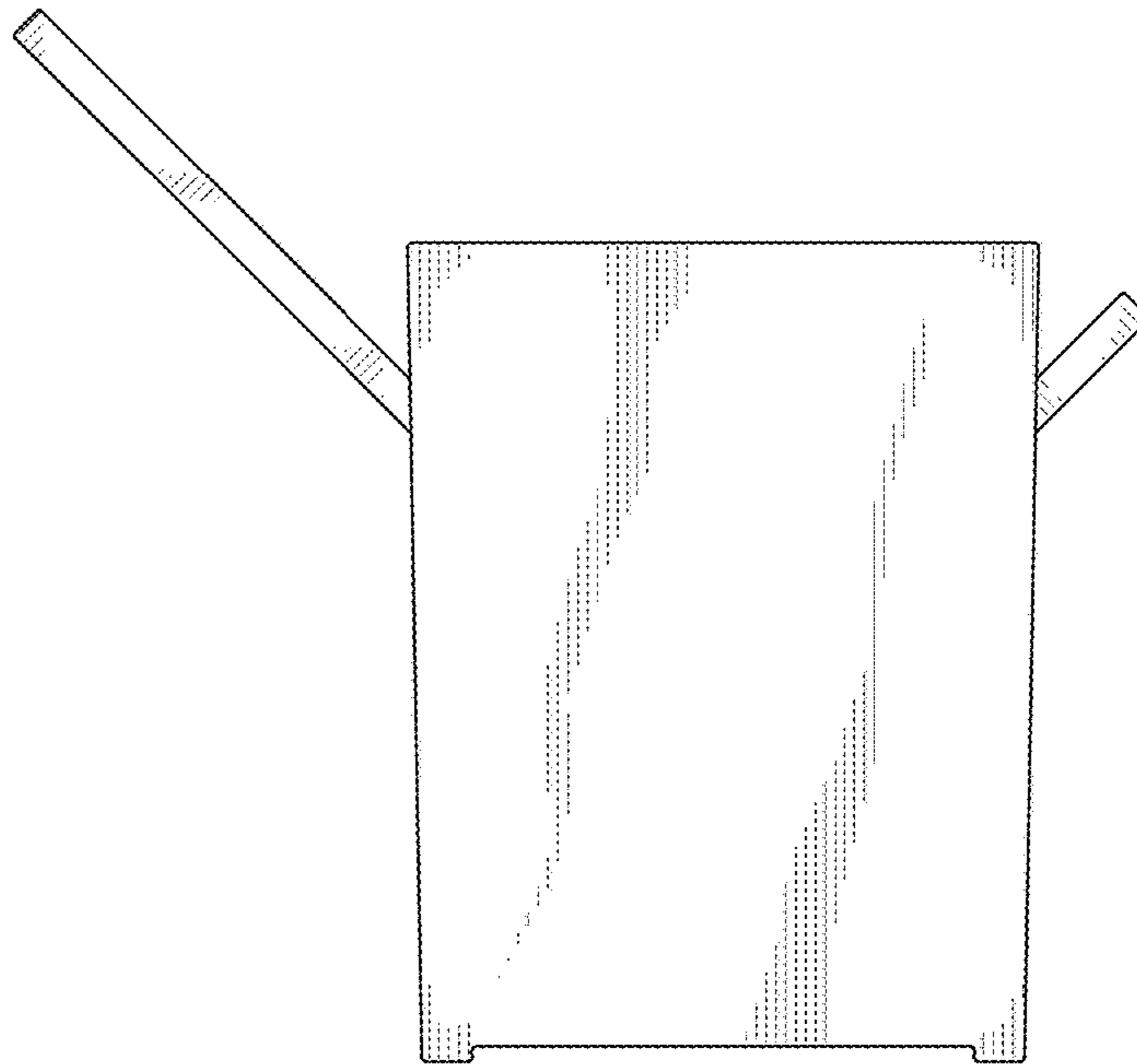


FIG. 4

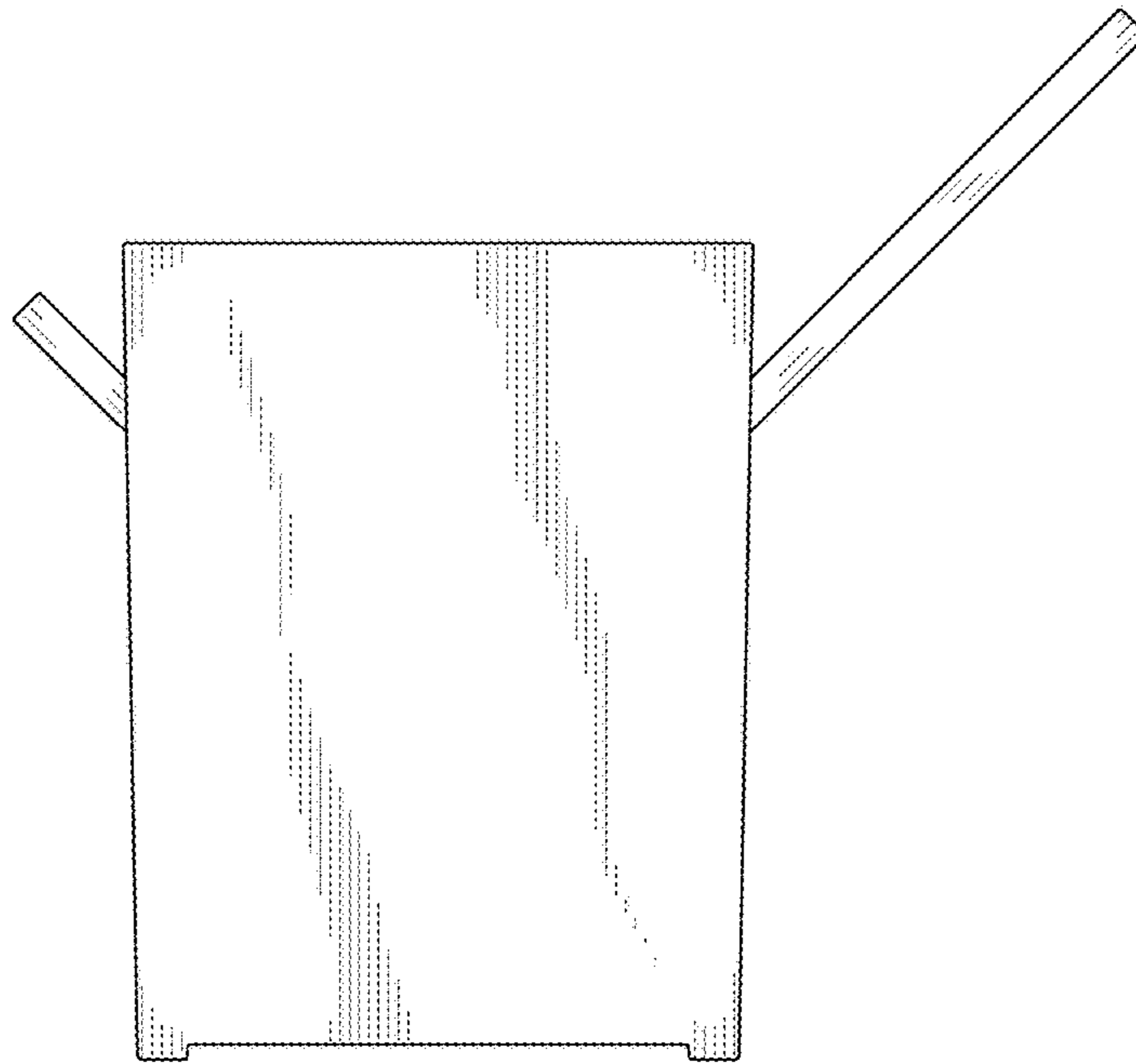


FIG. 5

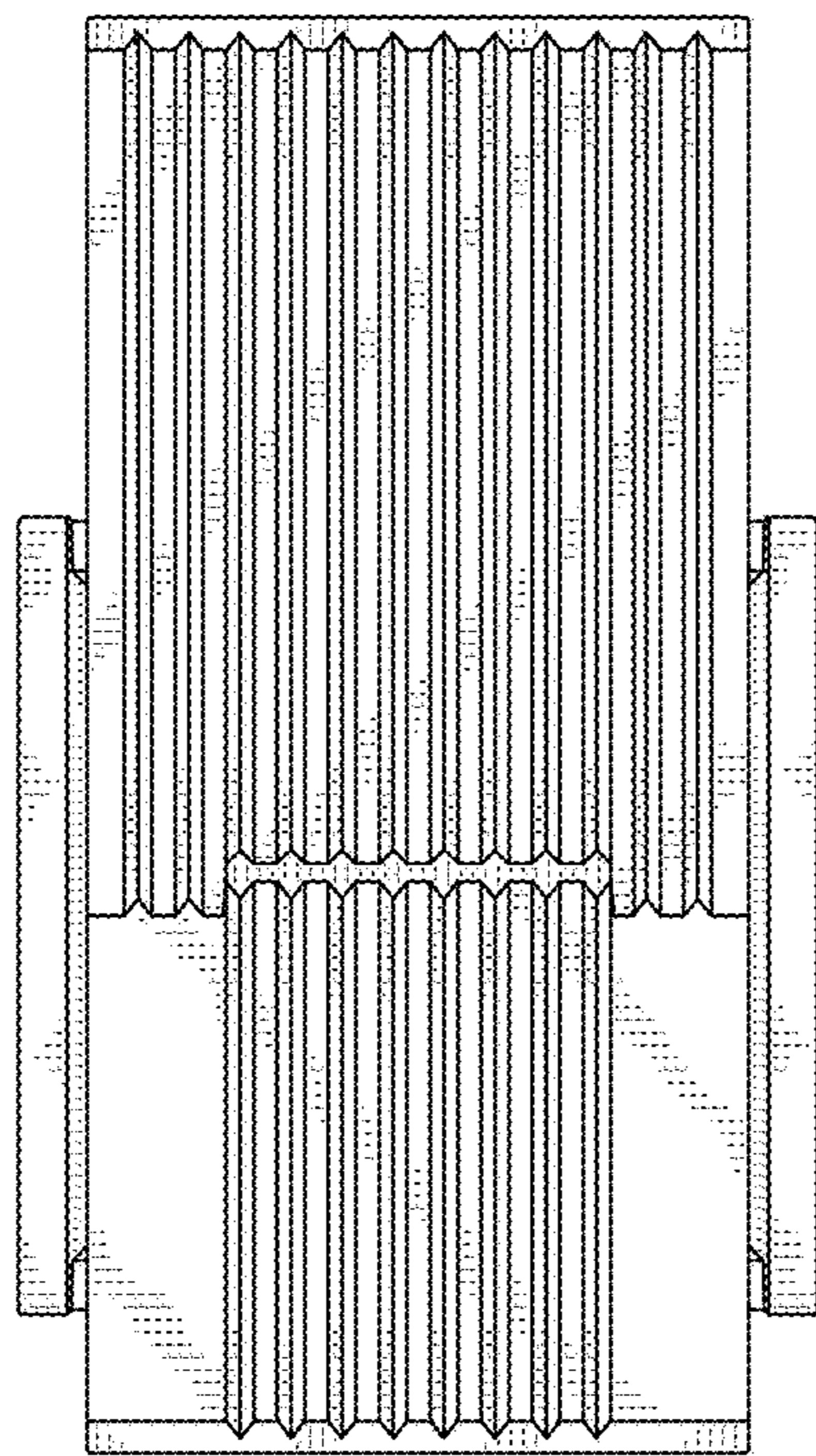


FIG. 6

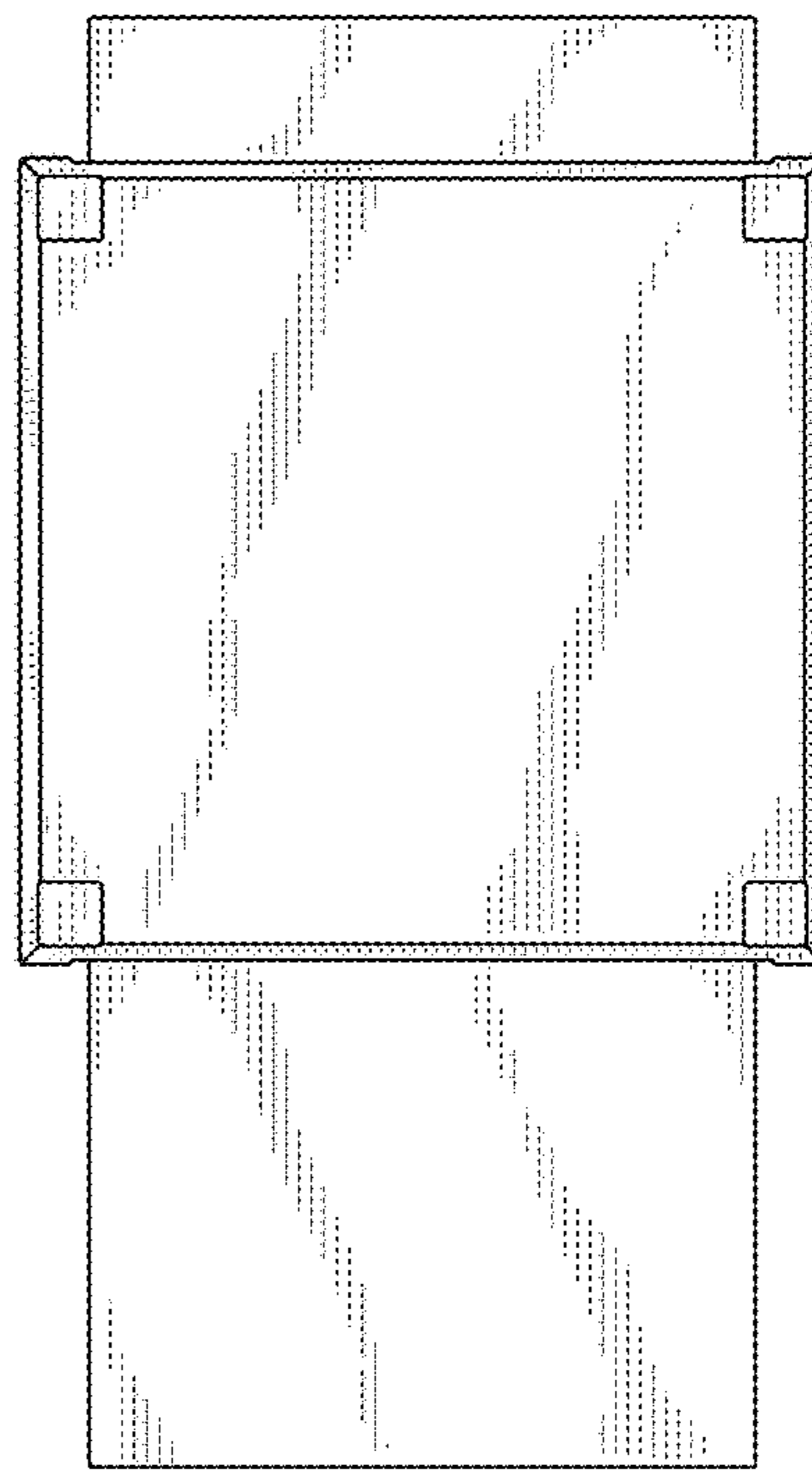


FIG. 7