



US00D833168S

(12) **United States Design Patent**
Hussain

(10) **Patent No.:** **US D833,168 S**
(45) **Date of Patent:** **** Nov. 13, 2018**

(54) **PORTABLE ROLLED PRODUCT DISPENSER**

(71) Applicant: **Ghazanfer Hussain**, Austin, TX (US)

(72) Inventor: **Ghazanfer Hussain**, Austin, TX (US)

(73) Assignee: **Ghazanfer Hussain**, Austin, TX (US)

(**) Term: **15 Years**

(21) Appl. No.: **29/596,210**

(22) Filed: **Mar. 6, 2017**

Related U.S. Application Data

(62) Division of application No. 14/318,276, filed on Jun. 27, 2014, now abandoned.

(51) **LOC (11) Cl.** **23-02**

(52) **U.S. Cl.**
USPC **D6/518**

(58) **Field of Classification Search**

USPC D6/518-523; 211/13.1, 16, 85.5, 86.01, 211/87.01, 88.04, 100, 105.1, 105.2, 106, 211/113, 123, 181.1, 182-183; 248/49, 248/175, 176.1, 200, 201, 205.1, 251, 248/302, 309.1, 315; D8/300, 370, 315; 108/28-29; 242/570, 590, 595-598; D25/45

CPC B65H 75/18; B65H 75/10; A47K 10/22; A47K 10/38; A47K 10/40; A47K 2201/00

See application file for complete search history.

(56) **References Cited**

U.S. PATENT DOCUMENTS

D258,228 S * 2/1981 Rumbaugh D15/18
D450,511 S * 11/2001 Gottwald D6/549
D488,993 S * 4/2004 Denys D8/319
D490,294 S * 5/2004 Dayan D8/354
7,316,324 B1 * 1/2008 Myllykangas A47K 10/04
211/105.1

D561,007 S * 2/2008 Kaesler D8/354
D564,854 S * 3/2008 Thompson D8/300
D610,849 S * 3/2010 Klein D6/513
D637,894 S * 5/2011 Maurer D8/373
2011/0240669 A1 * 10/2011 Festa B60R 15/02
221/45
2013/0271543 A1 * 10/2013 Akatsu B41J 11/00
347/104
2015/0014472 A1 * 1/2015 Hussain B65H 75/185
242/598
2016/0101637 A1 * 4/2016 Sasaki B65H 16/06
347/104

* cited by examiner

Primary Examiner — David G Muller

Assistant Examiner — Nathan M Johnston

(57) **CLAIM**

The ornamental design for a portable rolled product dispenser, as shown and described.

DESCRIPTION

The patent or application file contains at least one drawing executed in color. Copies of this patent or patent application publication with color drawing(s) will be provided by the Office upon request and payment of the necessary fee.

FIG. 1 is a perspective view of the portable rolled product dispenser showing my new design, with the opposing perspective view a mirror image thereof;

FIG. 2 is a front view thereof;

FIG. 3 is a back view thereof;

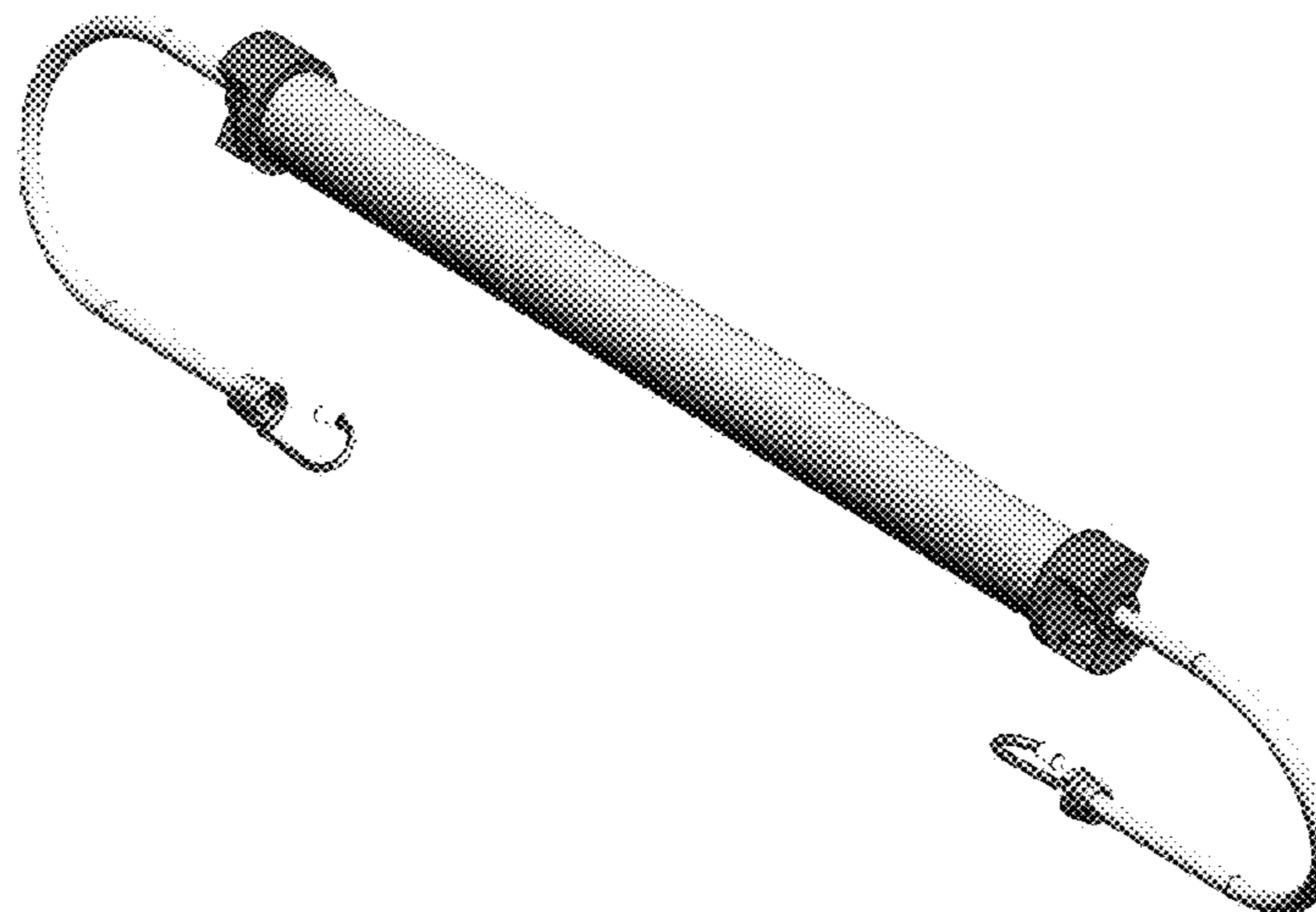
FIG. 4 is right perspective view thereof;

FIG. 5 is a left perspective view thereof;

FIG. 6 is a left side view, with the opposite side view a mirror image thereof; and,

FIG. 7 is a top view, with the bottom view a mirror image thereof.

1 Claim, 7 Drawing Sheets
(7 of 7 Drawing Sheet(s) Filed in Color)



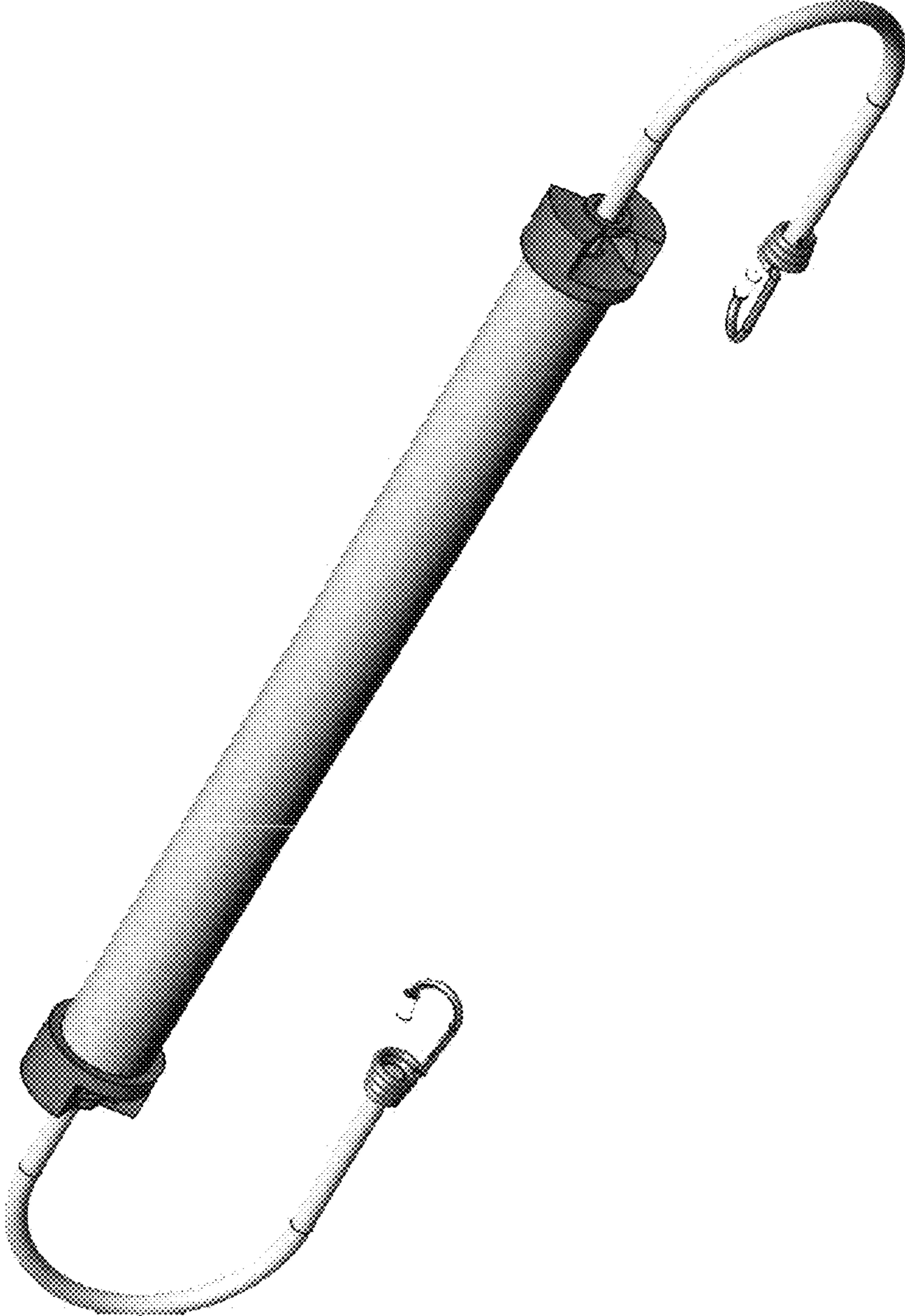


FIG. 1

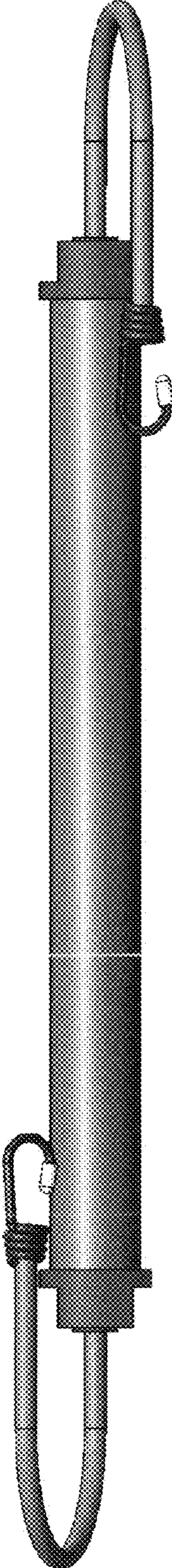


FIG. 2

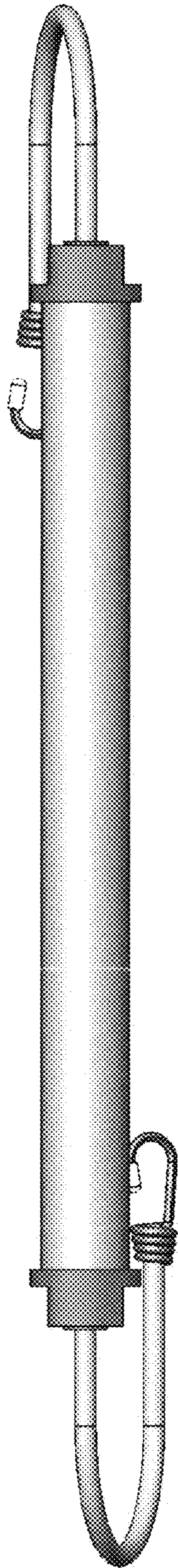


FIG. 3

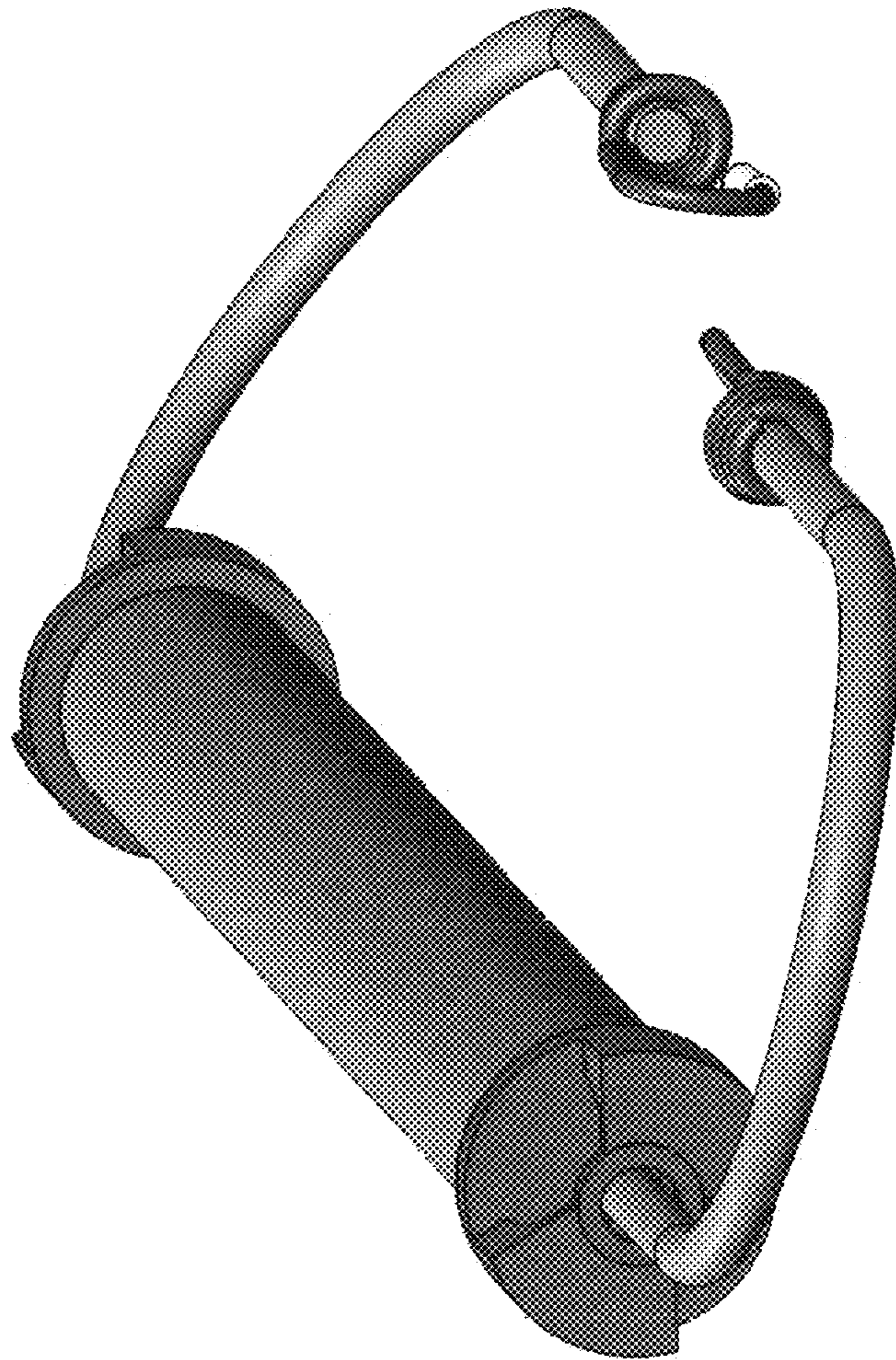


FIG. 4



FIG. 5



FIG. 6

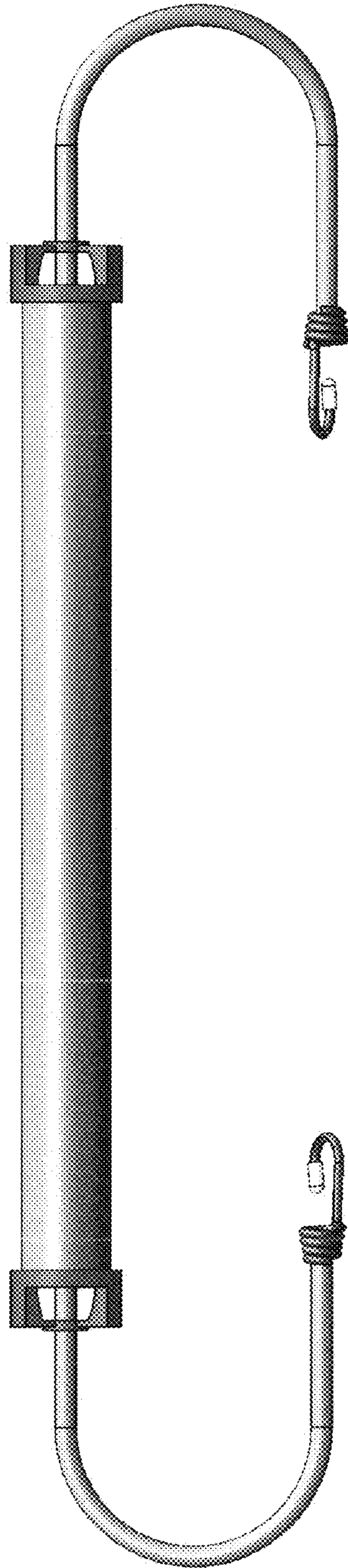


FIG. 7