



US00D833166S

(12) **United States Design Patent** (10) **Patent No.:** **US D833,166 S**  
**Lawson et al.** (45) **Date of Patent:** **\*\* Nov. 13, 2018**

(54) **HERB GARDEN RACK**  
(71) Applicant: **Peak Innovations Inc.**, Richmond (CA)  
(72) Inventors: **Craig Lawson**, Richmond (CA); **Adam Mantei**, Richmond (CA)  
(73) Assignee: **Peak Innovations Inc.**, Richmond (CA)  
(\*\*) Term: **15 Years**  
(21) Appl. No.: **29/571,662**  
(22) Filed: **Jul. 20, 2016**  
(30) **Foreign Application Priority Data**

5,181,621 A \* 1/1993 Plaehn ..... A47K 3/281  
211/119.011  
D339,942 S \* 10/1993 Emalfarb ..... D6/513  
D491,749 S \* 6/2004 Malizia ..... D6/675.3  
D521,276 S \* 5/2006 Lenger ..... D6/675.3  
D587,040 S \* 2/2009 Goodman ..... D19/92  
D643,232 S \* 8/2011 Wagner ..... D6/675.3  
8,915,383 B2 \* 12/2014 Pedersen ..... A47G 7/041  
211/149  
D742,279 S \* 11/2015 Takaoka ..... D11/156  
D753,422 S \* 4/2016 Snider ..... D6/675.3  
D769,074 S \* 10/2016 Tsai ..... D28/61  
D779,232 S \* 2/2017 Pan ..... D6/524  
2009/0183427 A1 \* 7/2009 DiMaggio ..... A47G 7/041  
47/39  
2013/0206714 A1 \* 8/2013 Pedersen ..... A47G 7/041  
211/71.01  
2016/0066751 A1 \* 3/2016 Hinson ..... A47K 3/281  
211/85.12

Jan. 20, 2016 (CA) ..... 166416  
(51) **LOC (11) Cl.** ..... **06-06**  
(52) **U.S. Cl.**  
USPC ..... **D6/403**  
(58) **Field of Classification Search**  
USPC ..... D6/403, 405, 329, 672, 675, 675.1,  
D6/675.3, 677.3, 677.4, 378.4, 681,  
D6/681.2, 683, 683.1, 705.6, 512, 525,  
D6/552; D11/123-144; D8/349, 354,  
D8/380  
CPC ... A01G 9/22; A01G 9/23; A01G 9/25; A01G  
9/022; A01G 9/04; A01G 31/001; A01G  
31/06; A47K 3/281; A47G 7/041; A47F  
7/0078  
See application file for complete search history.

**FOREIGN PATENT DOCUMENTS**

CA 166416 S \* 8/2016  
\* cited by examiner

*Primary Examiner* — Sheryl Lane  
(74) *Attorney, Agent, or Firm* — Smiths IP; Lawrence Chan

(57) **CLAIM**

The ornamental design for herb garden rack, as shown and described.

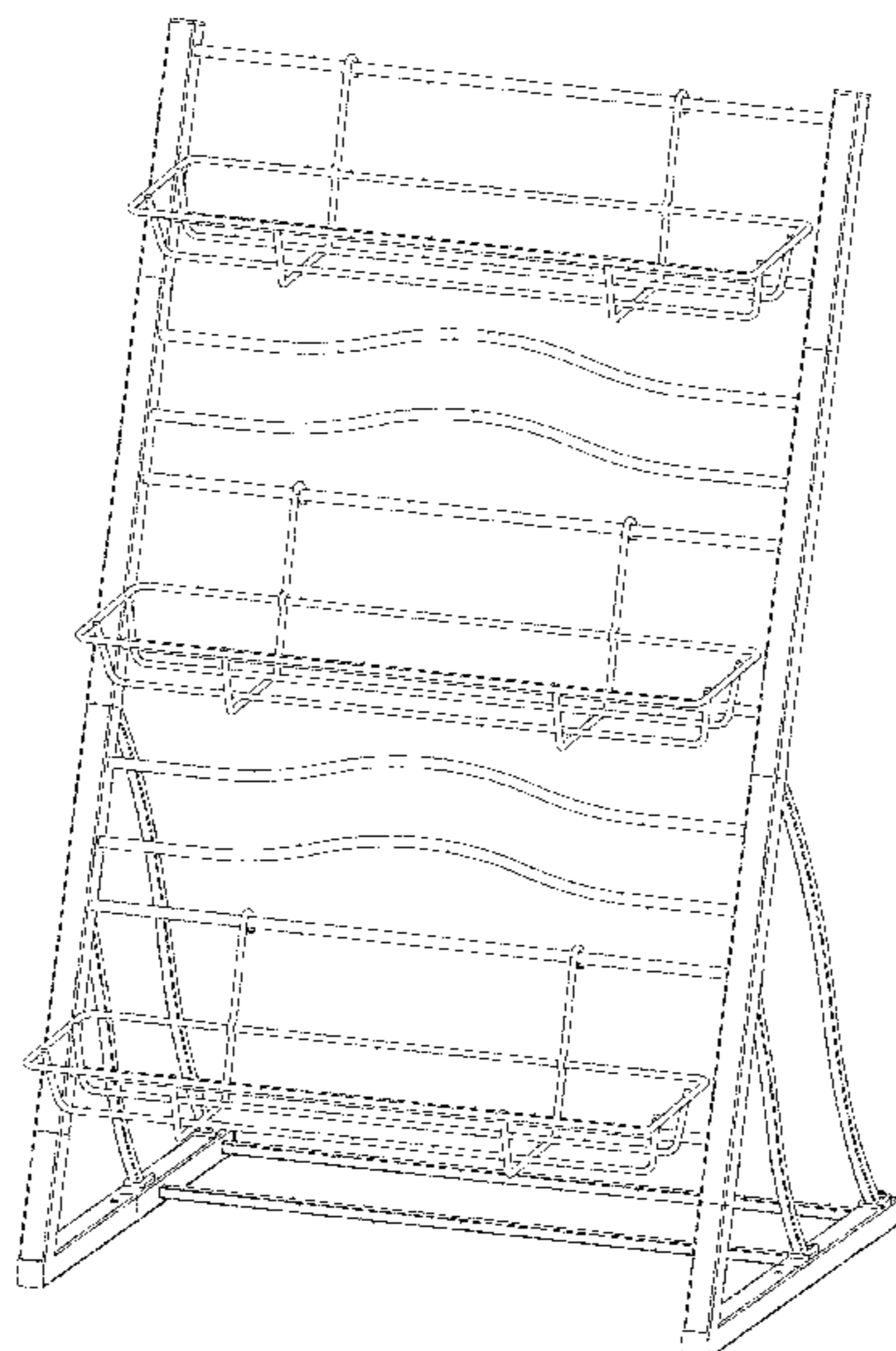
**DESCRIPTION**

FIG. 1 is a front perspective view thereof;  
FIG. 2 is a front elevational view thereof;  
FIG. 3 is a rear elevational view thereof;  
FIG. 4 is a left side elevational view thereof;  
FIG. 5 is a right side elevational view thereof;  
FIG. 6 is a top plan view thereof; and,  
FIG. 7 is a bottom plan view thereof.

**1 Claim, 7 Drawing Sheets**

(56) **References Cited**  
U.S. PATENT DOCUMENTS

D21,044 S \* 9/1891 Peters ..... 47/39  
D99,074 S \* 3/1936 Eastman ..... 211/182  
D122,462 S \* 9/1940 Griffin ..... D6/675.2  
D313,898 S \* 1/1991 Vukelich, Sr. .... D6/405  
D319,356 S \* 8/1991 Vukelich, Sr. .... D6/405



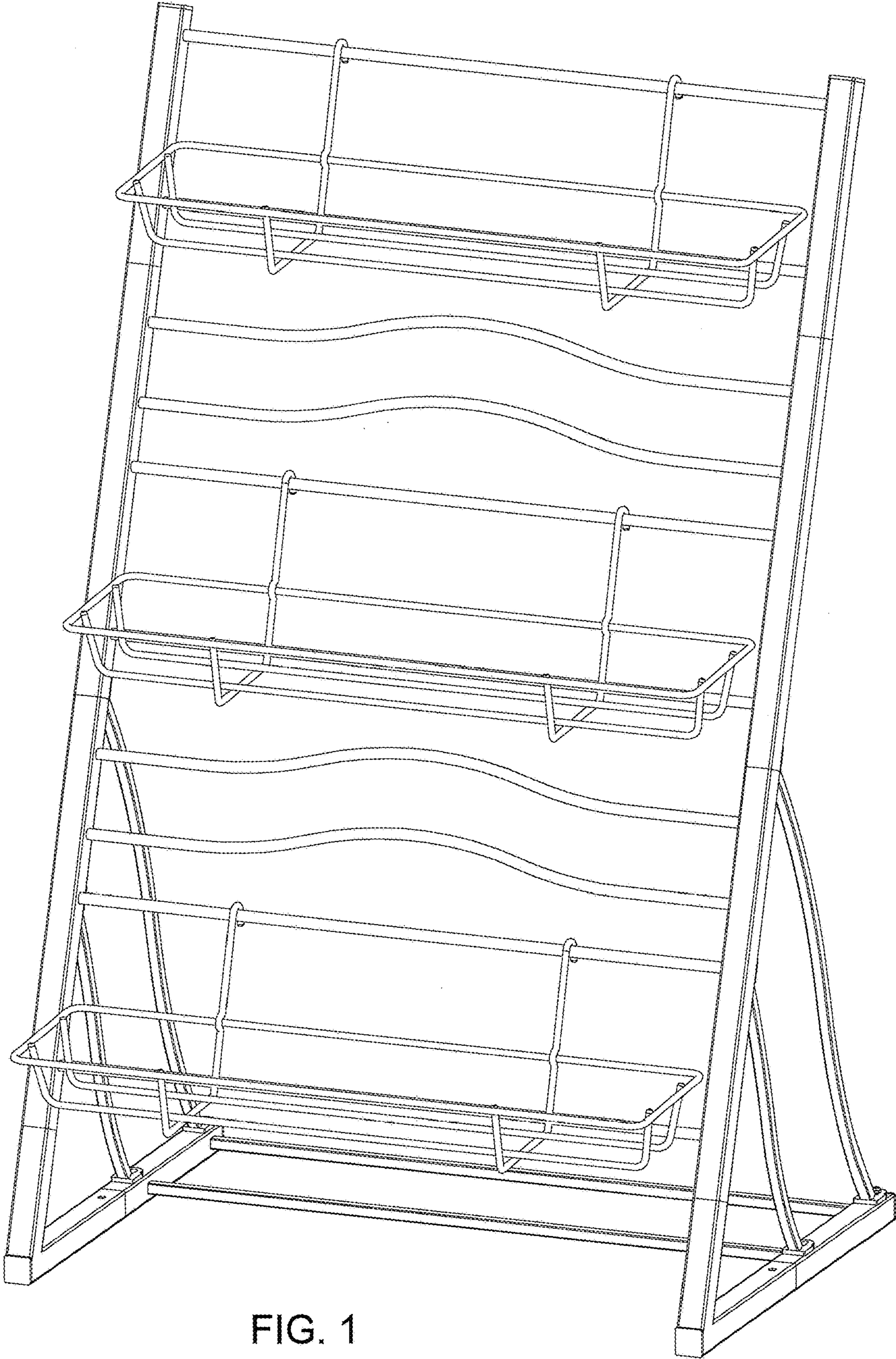


FIG. 1

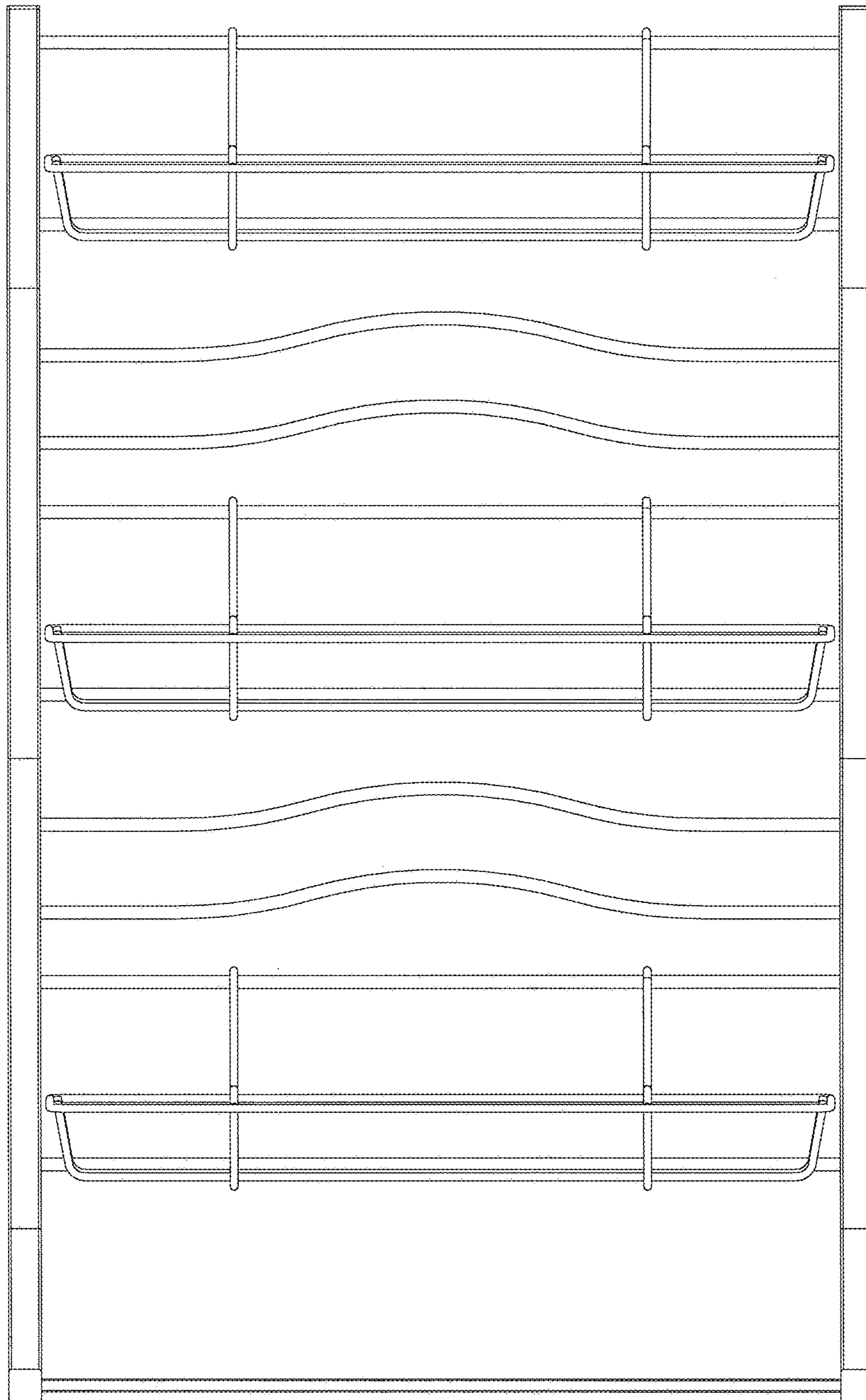


FIG. 2

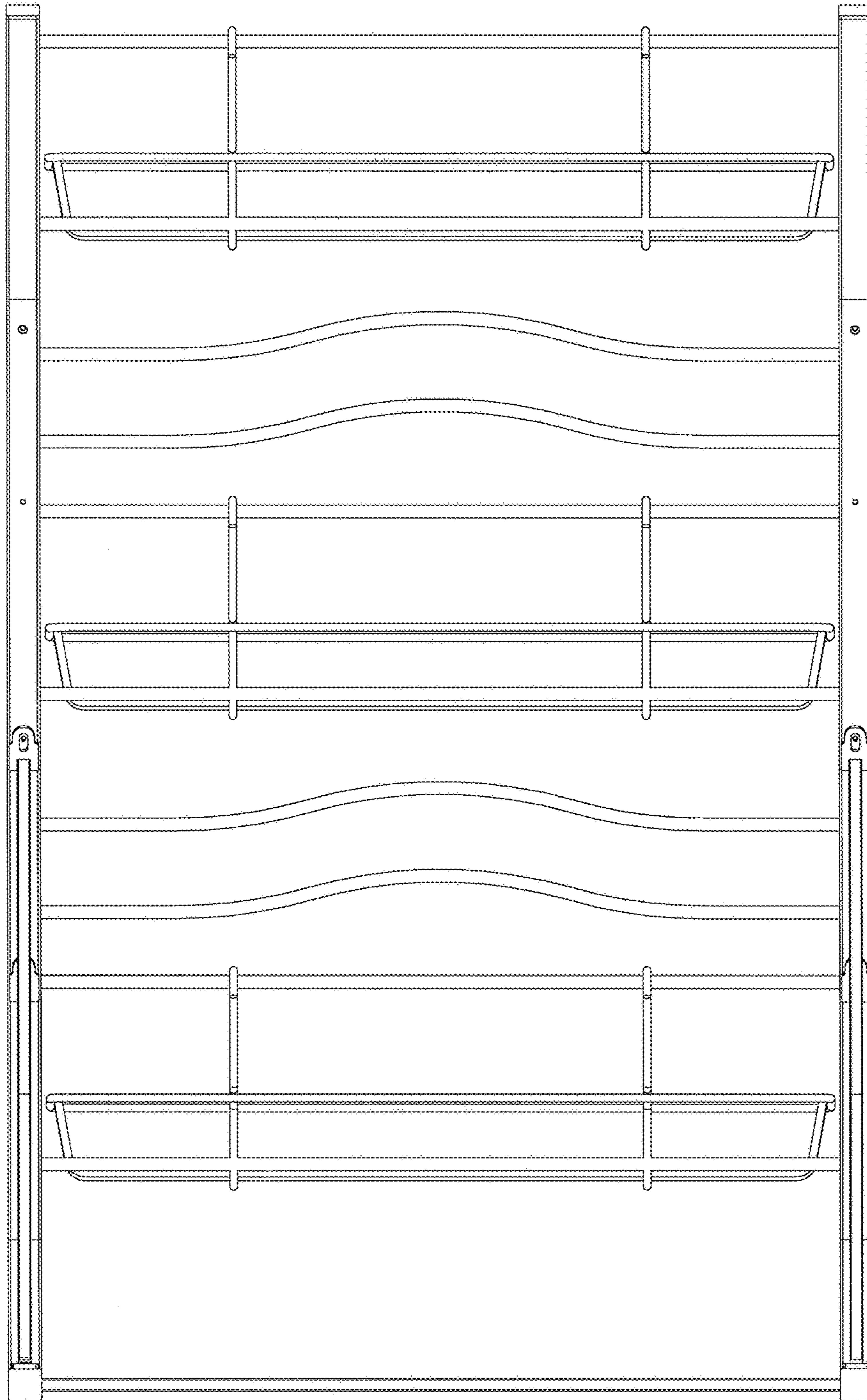


FIG. 3

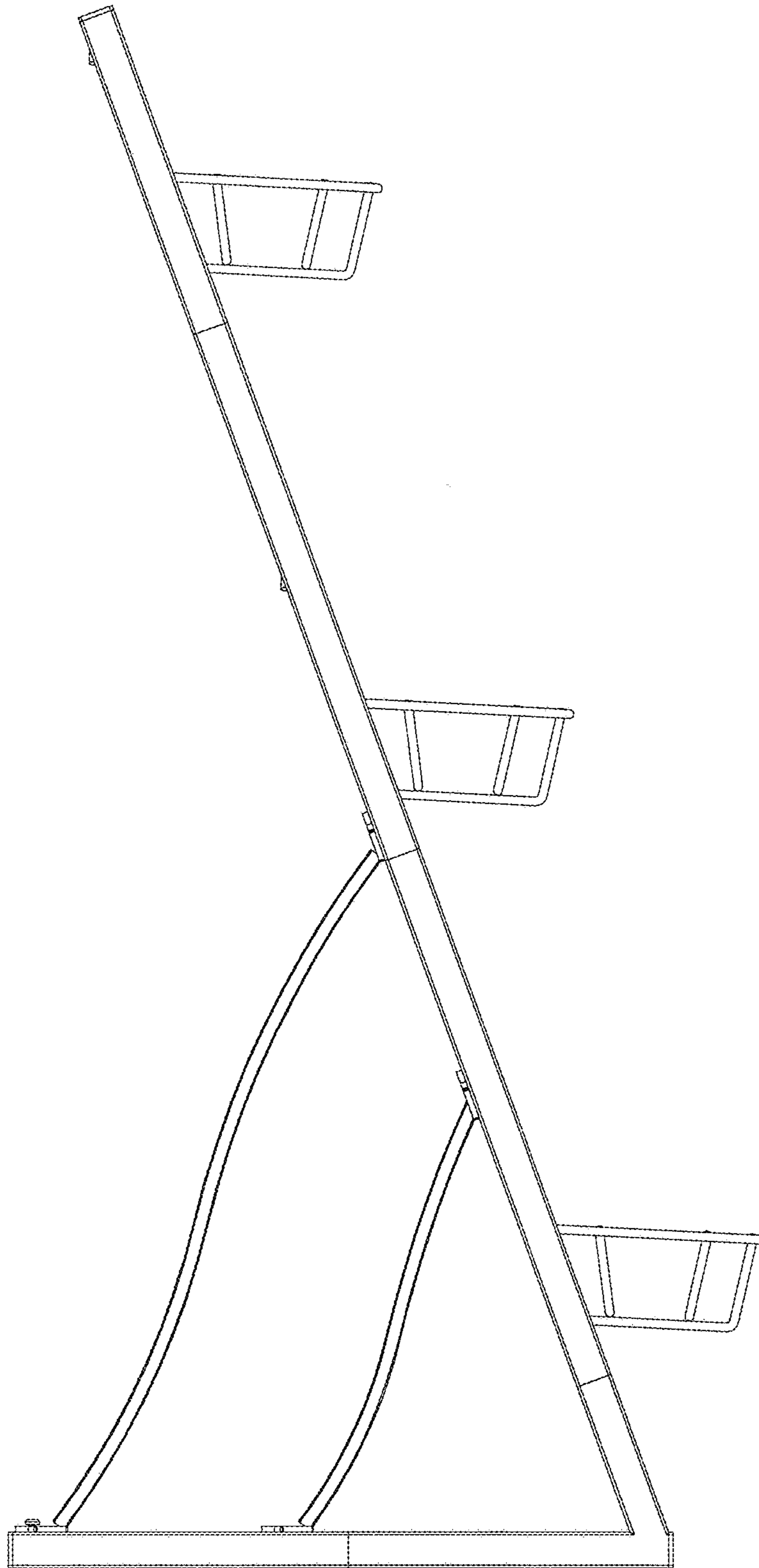


FIG. 4

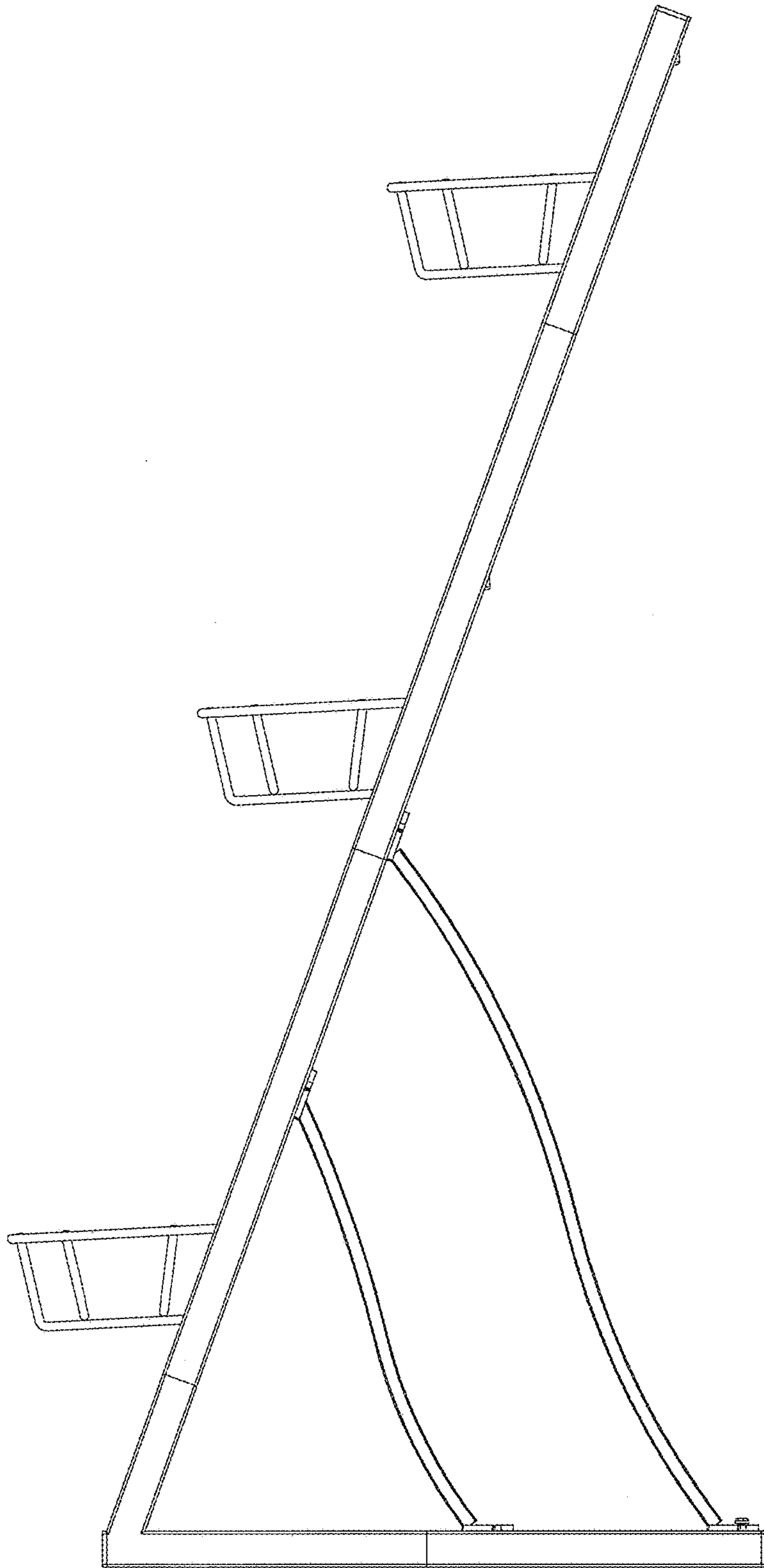


FIG. 5

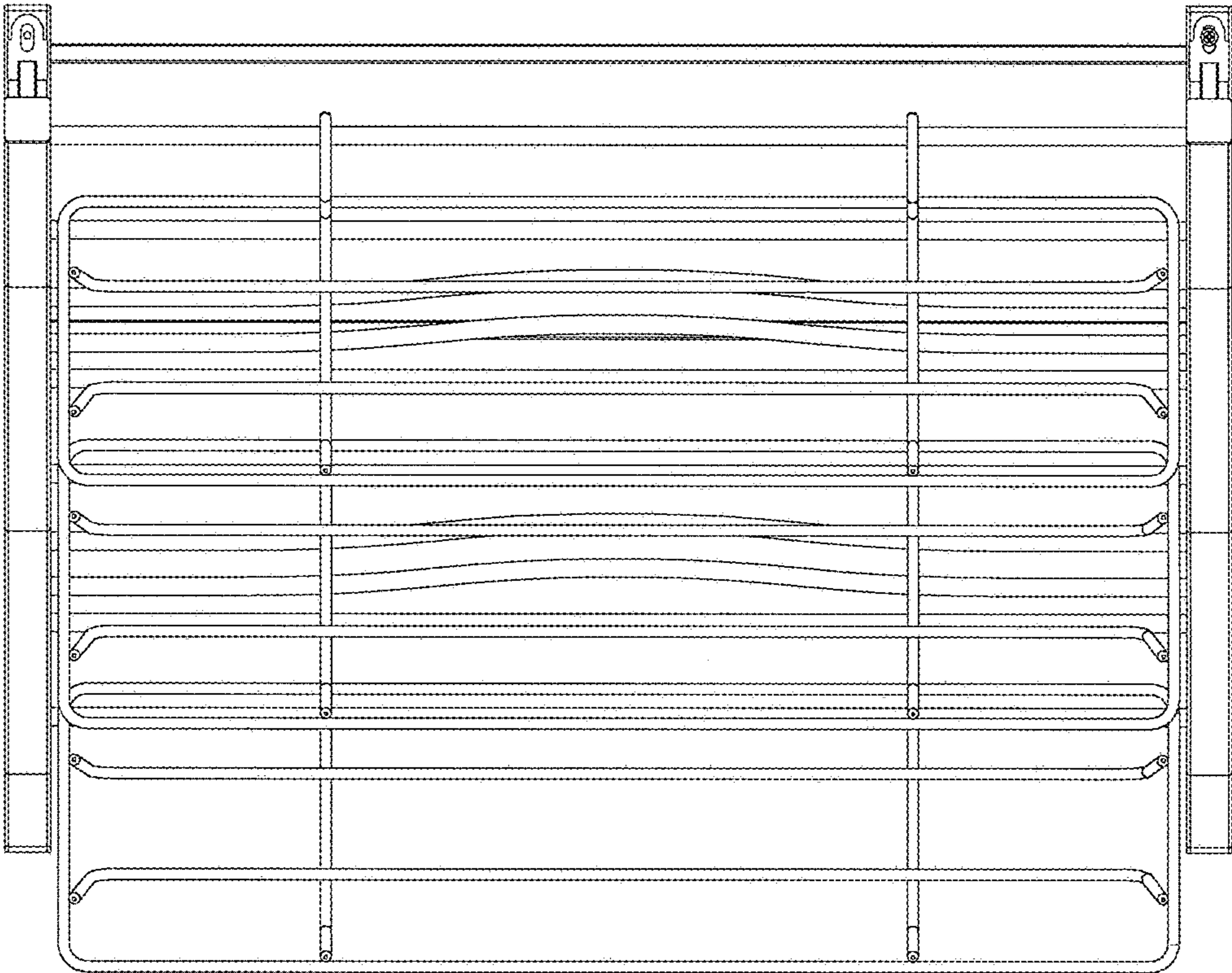


FIG. 6

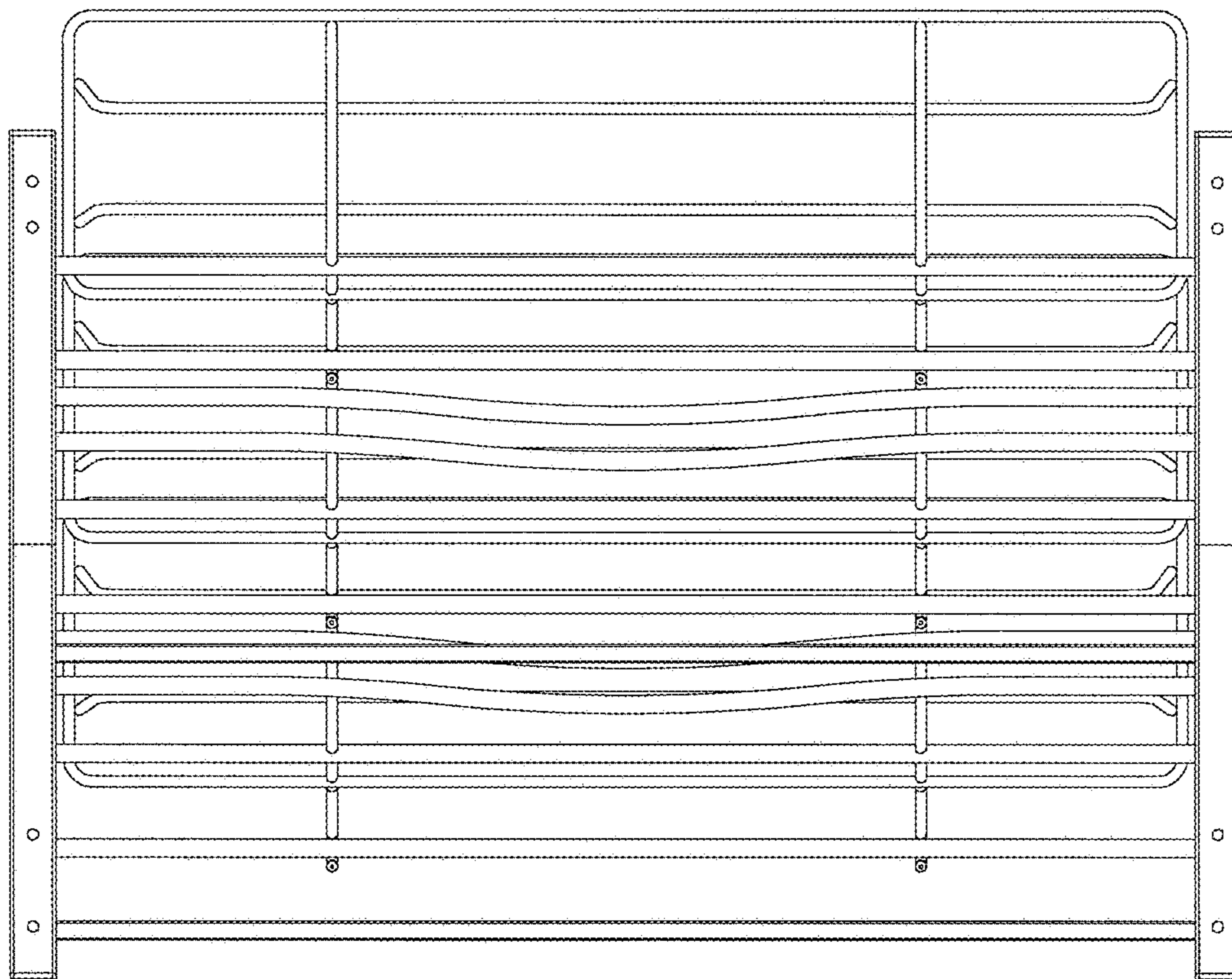


FIG. 7