

US00D833164S

(12) **United States Design Patent** (10) **Patent No.:** **US D833,164 S**  
**Yang** (45) **Date of Patent:** **\*\* Nov. 13, 2018**

(54) **OFFICE CHAIR**  
(71) Applicant: **Lei Yang**, City of Industry, CA (US)  
(72) Inventor: **Lei Yang**, City of Industry, CA (US)  
(73) Assignee: **Furniture of America, Inc.**, City of Industry, CA (US)  
(\*\*) Term: **15 Years**  
(21) Appl. No.: **29/608,866**  
(22) Filed: **Jun. 26, 2017**  
(51) **LOC (11) Cl.** ..... **06-01**  
(52) **U.S. Cl.**  
USPC ..... **D6/366**  
(58) **Field of Classification Search**  
USPC ..... D6/334-336, 364, 365, 366, 374, 375,  
D6/379, 380, 716, 716.1, 716.2, 716.3,  
D6/716.4  
CPC .. A47C 7/16; A47C 7/54; A47C 7/022; A47C  
7/18; A47C 7/24; A47C 7/40; A47C 7/46  
See application file for complete search history.

D270,311 S \* 8/1983 Ochsner ..... D6/366  
D354,631 S \* 1/1995 Orlandini ..... D6/366  
D612,175 S \* 3/2010 Kubryk ..... D6/366  
D702,955 S \* 4/2014 Meda ..... D6/366  
D718,949 S \* 12/2014 Meda ..... D6/366  
D736,533 S \* 8/2015 Ballendat ..... D6/366

\* cited by examiner

*Primary Examiner* — Mimoso De  
(74) *Attorney, Agent, or Firm* — Raymond Y. Chan;  
David and Raymond Patent Firm

(57) **CLAIM**

The ornamental design for a office chair, as shown.

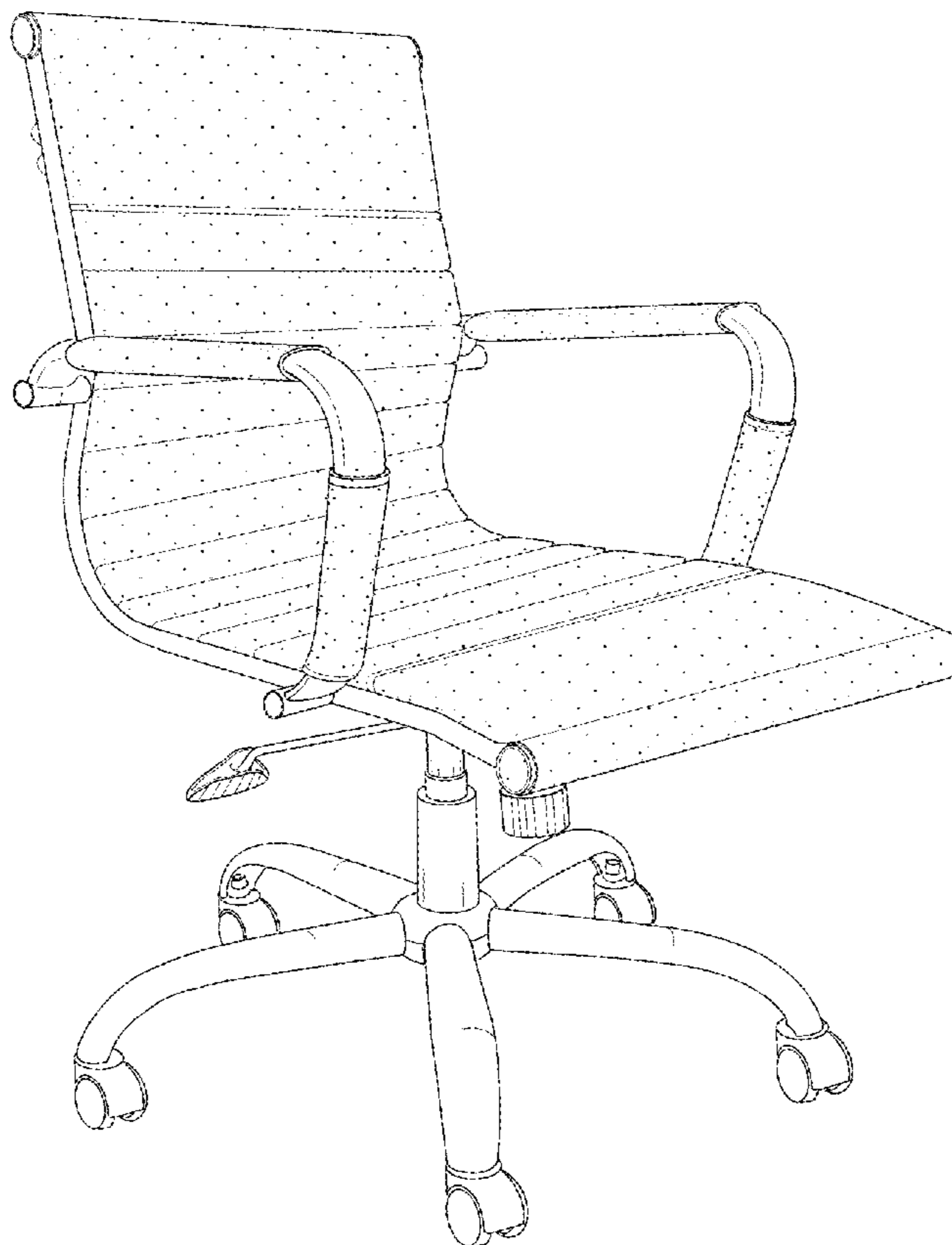
**DESCRIPTION**

FIG. 1 is a perspective view showing my new design.  
FIG. 2 is a front view thereof.  
FIG. 3 is a rear view thereof  
FIG. 4 is a left end view thereof.  
FIG. 5 is a right end view thereof; and,  
FIG. 6 is a top view thereof.  
The surface(s) or portion(s) of the article not shown in the drawing or described in the specification form(s) no part of the claimed design.

(56) **References Cited**  
U.S. PATENT DOCUMENTS

D260,204 S \* 8/1981 Sapper ..... D6/366  
D270,310 S \* 8/1983 Ochsner ..... D6/366

**1 Claim, 6 Drawing Sheets**



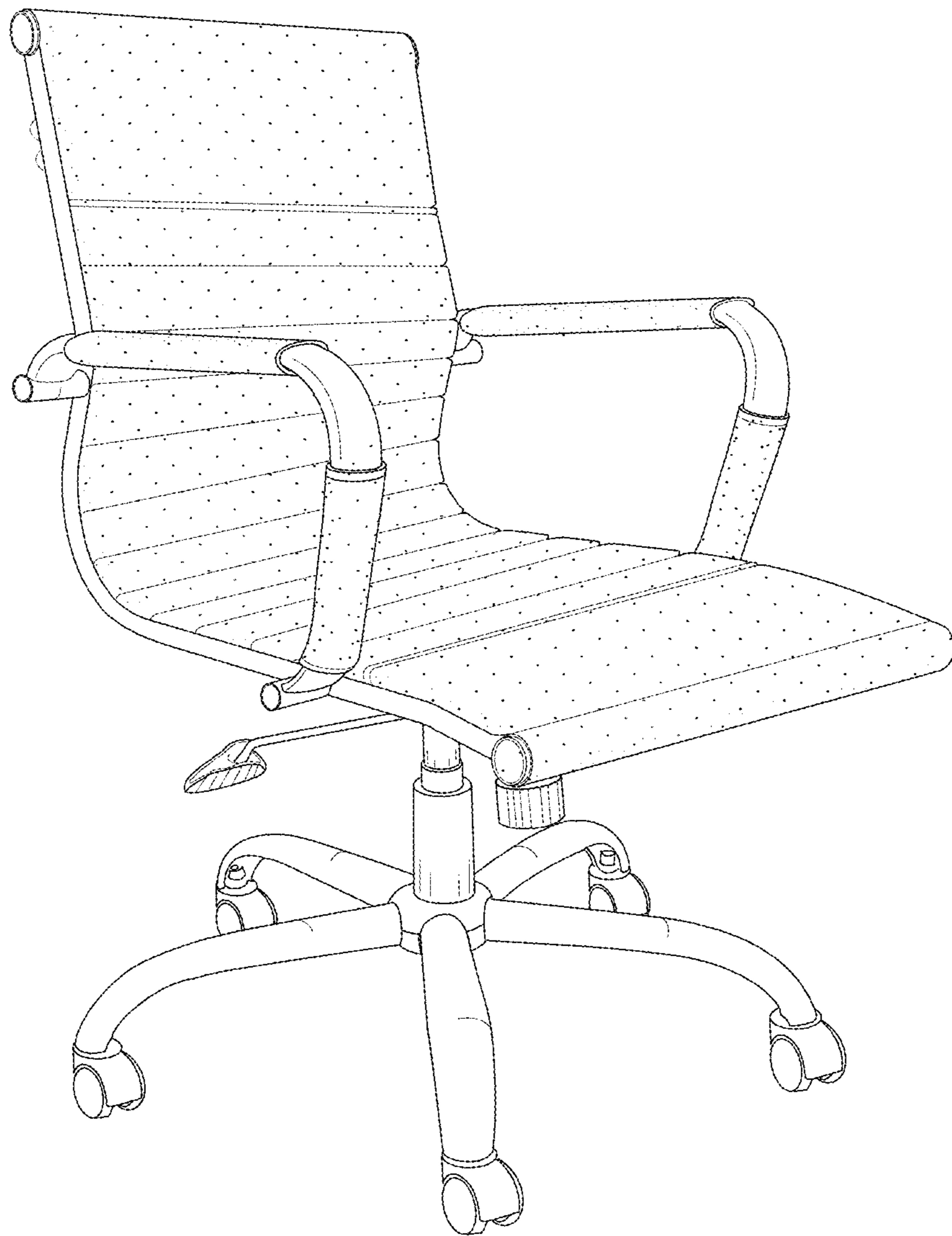


FIG.1

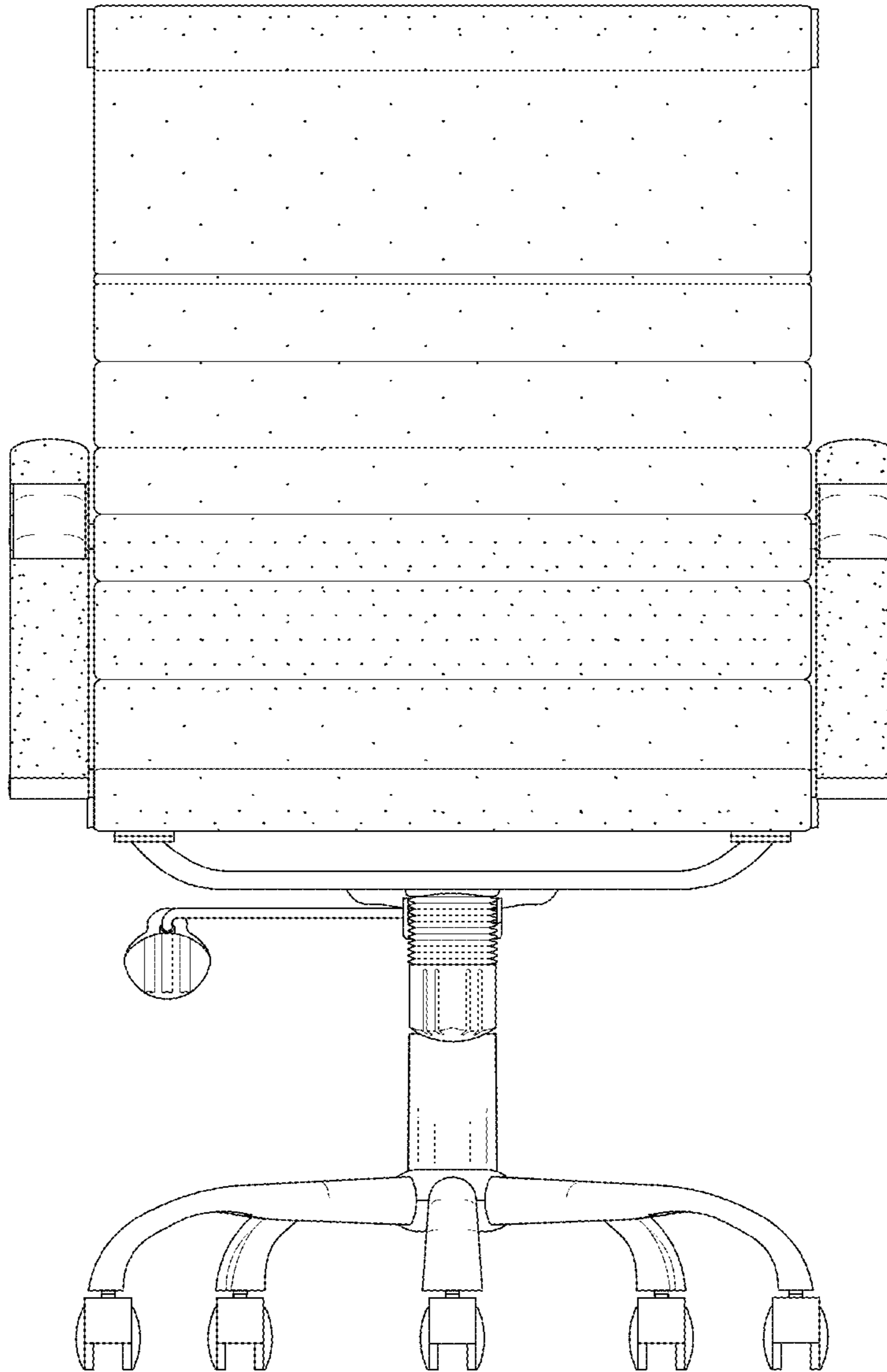


FIG.2

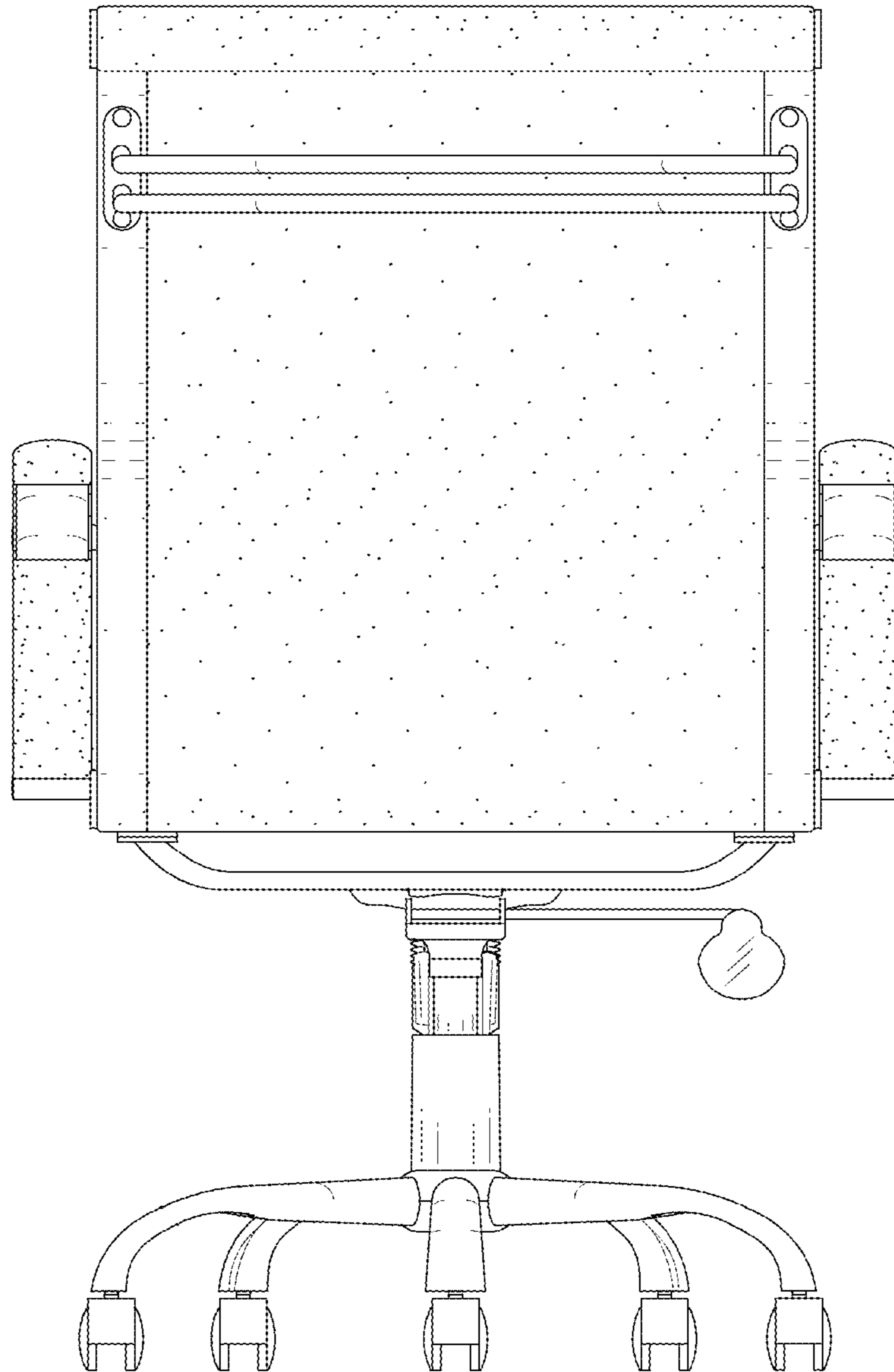


FIG.3

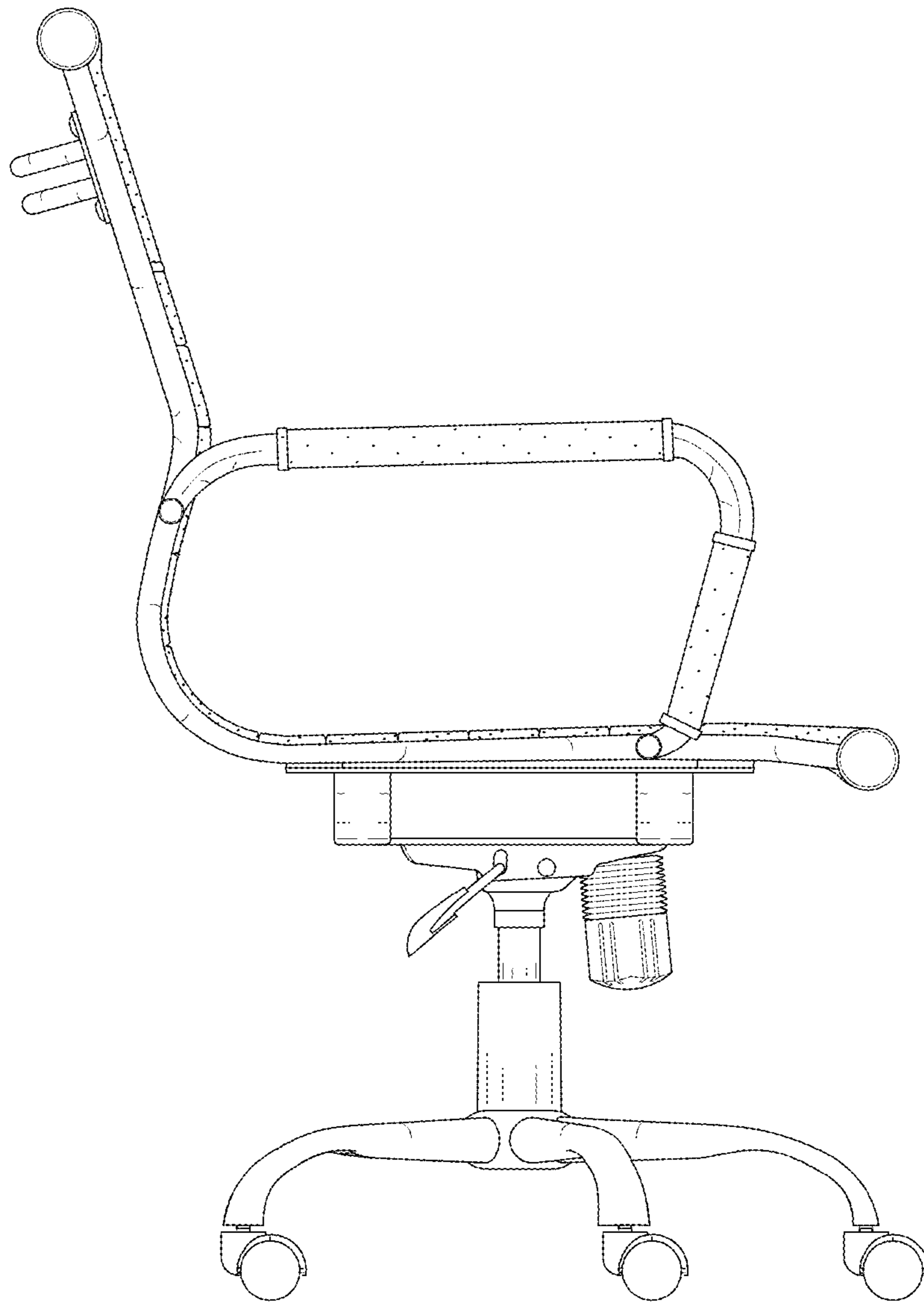


FIG.4

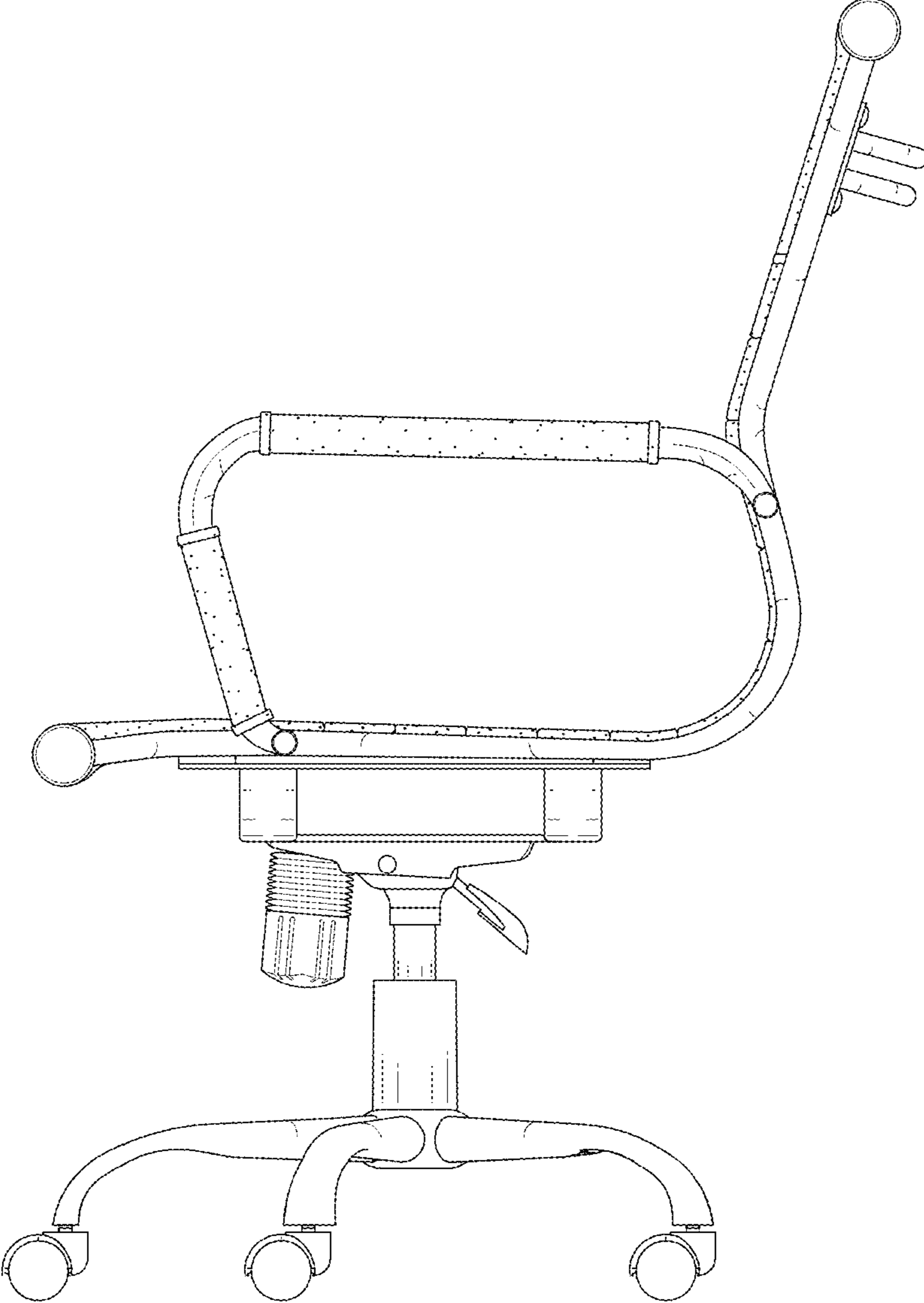


FIG.5

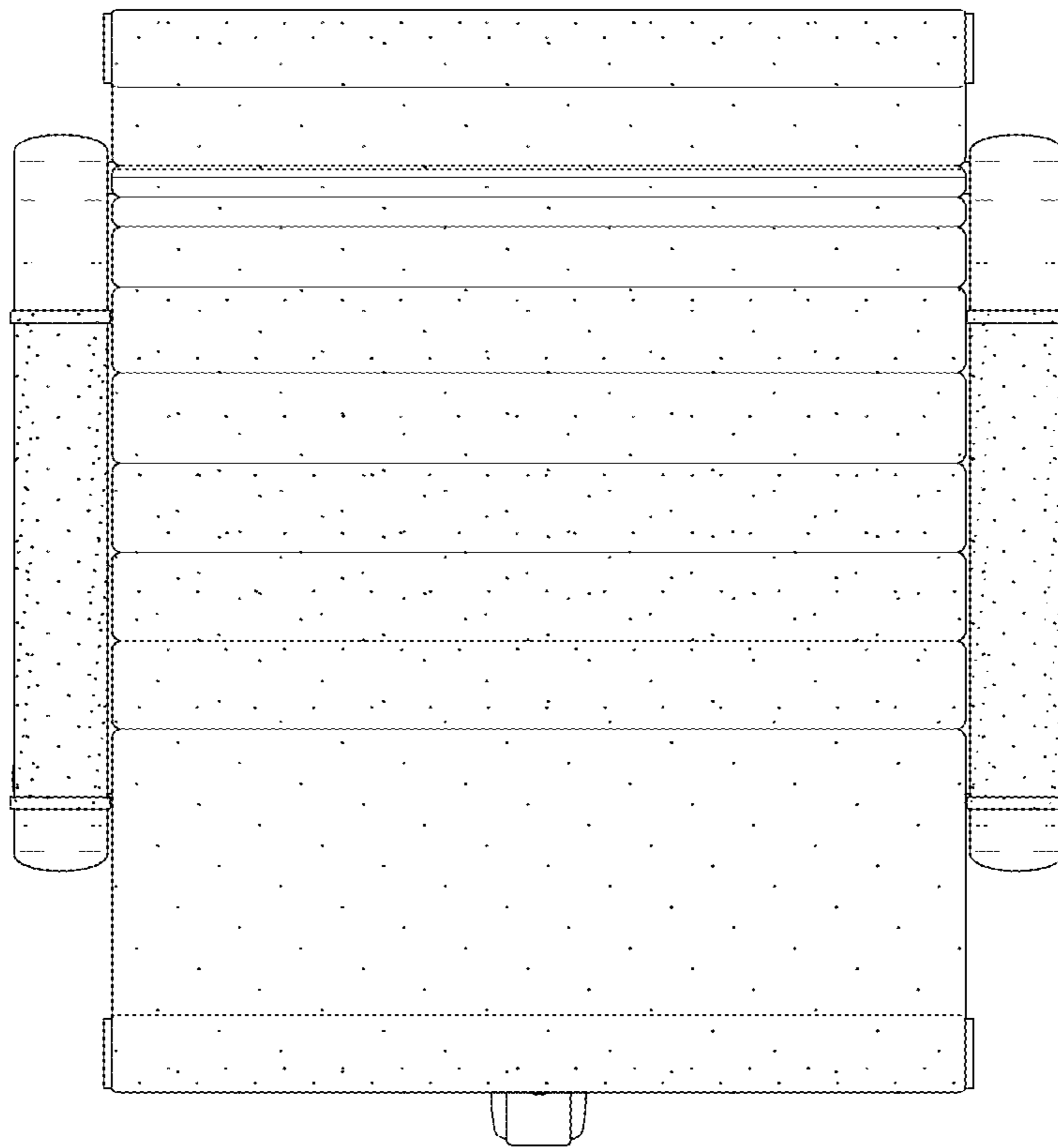


FIG.6