



US00D833163S

(12) **United States Design Patent**  
**Inovero**

(10) **Patent No.:** **US D833,163 S**

(45) **Date of Patent:** **\*\* Nov. 13, 2018**

(54) **SWIVEL CHAIR**

(71) Applicant: **BOND MANUFACTURING CO., INC.**, Antioch, CA (US)

(72) Inventor: **Trisha Inovero**, Caloocan (PH)

(73) Assignee: **Bond Manufacturing Co., Inc.**, Antioch, CA (US)

(\*\*) Term: **15 Years**

(21) Appl. No.: **29/605,878**

(22) Filed: **May 31, 2017**

(51) **LOC (11) Cl.** ..... **06-01**

(52) **U.S. Cl.**  
USPC ..... **D6/365**

(58) **Field of Classification Search**  
USPC ..... D6/334-336, 344, 364, 365, 366, 370,  
D6/374, 716, 716.1, 716.2, 716.3, 716.4  
CPC ..... A47C 1/032; A47C 3/18; A47C 4/028;  
A47C 7/021; A47C 7/18; A47C 7/24  
See application file for complete search history.

(56) **References Cited**

**U.S. PATENT DOCUMENTS**

D299,986 S *	2/1989	Doughty	.....	D6/365
D300,090 S *	3/1989	Frinier	.....	D6/365
D335,038 S *	4/1993	Tseng	.....	D6/365
D335,039 S *	4/1993	Tseng	.....	D6/370
D340,361 S *	10/1993	Tseng	.....	D6/365
D414,947 S *	10/1999	Liu	.....	D6/344
D474,904 S *	5/2003	Ciabatti	.....	D6/370
D530,934 S *	10/2006	Tseng	.....	D6/365
D761,032 S *	7/2016	Asner	.....	D6/370

\* cited by examiner

*Primary Examiner* — Mimoso De

(74) *Attorney, Agent, or Firm* — Weide & Miller, Ltd.

(57) **CLAIM**

The ornamental design for a swivel chair, as shown and described.

**DESCRIPTION**

FIG. 1 is a perspective view of a swivel chair showing the new design.

FIG. 2 is a perspective view of a swivel chair showing the new design

FIG. 3 is a front view of the design shown in FIG. 1.

FIG. 4 is a back view of the design shown in FIG. 1.

FIG. 5 is a right-side view of the design shown in FIG. 1.

FIG. 6 is a left-side view of the design shown in FIG. 1.

FIG. 7 is a top view of the design shown in FIG. 1.

FIG. 8 is a bottom view of the design shown in FIG. 1.

FIG. 9 is a perspective view of a swivel chair showing the new design.

FIG. 10 is a perspective view of a swivel chair showing the new design

FIG. 11 is a front view of the design shown in FIG. 9.

FIG. 12 is a back view of the design shown in FIG. 9.

FIG. 13 is a right-side view of the design shown in FIG. 9.

FIG. 14 is a left-side view of the design shown in FIG. 9.

FIG. 15 is a top view of the design shown in FIG. 9.

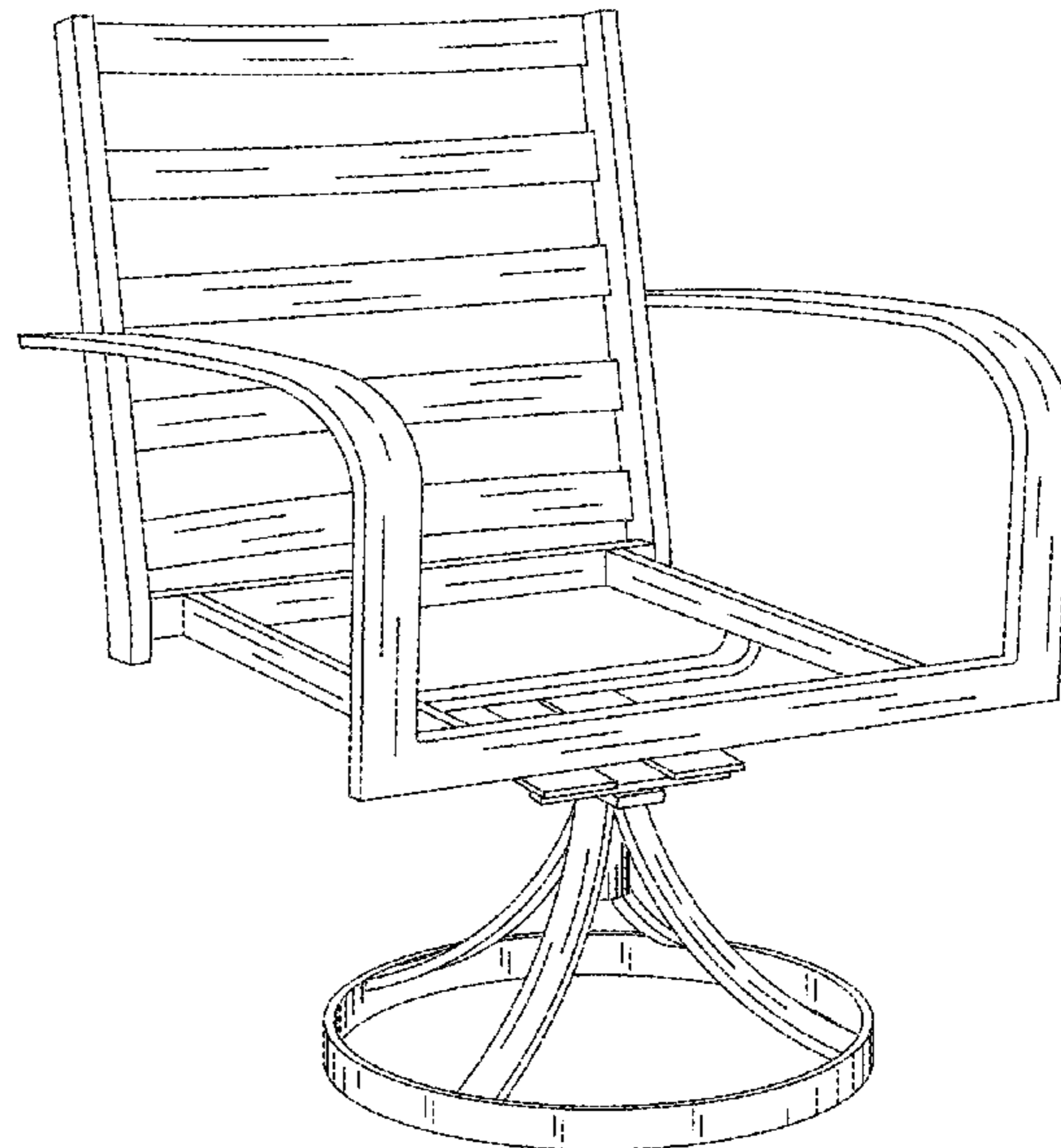
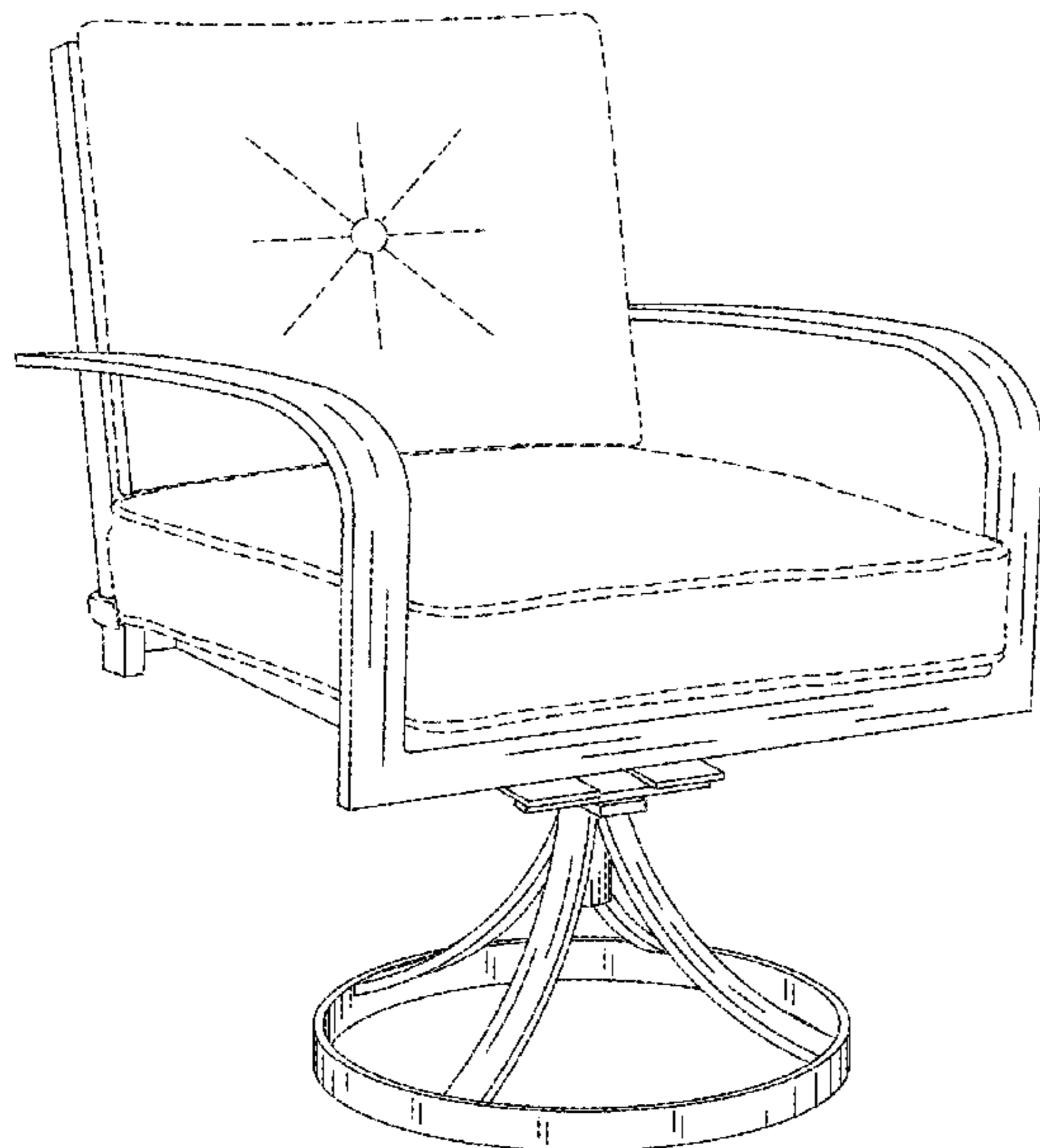
FIG. 16 is a bottom view of the design shown in FIG. 9.

FIG. 17 is a top view of the design shown in FIG. 10; and,

FIG. 18 is a bottom view of the design shown in FIG. 10.

The broken lines indicate unclaimed portions of the article and form no part of the claimed design.

**1 Claim, 18 Drawing Sheets**



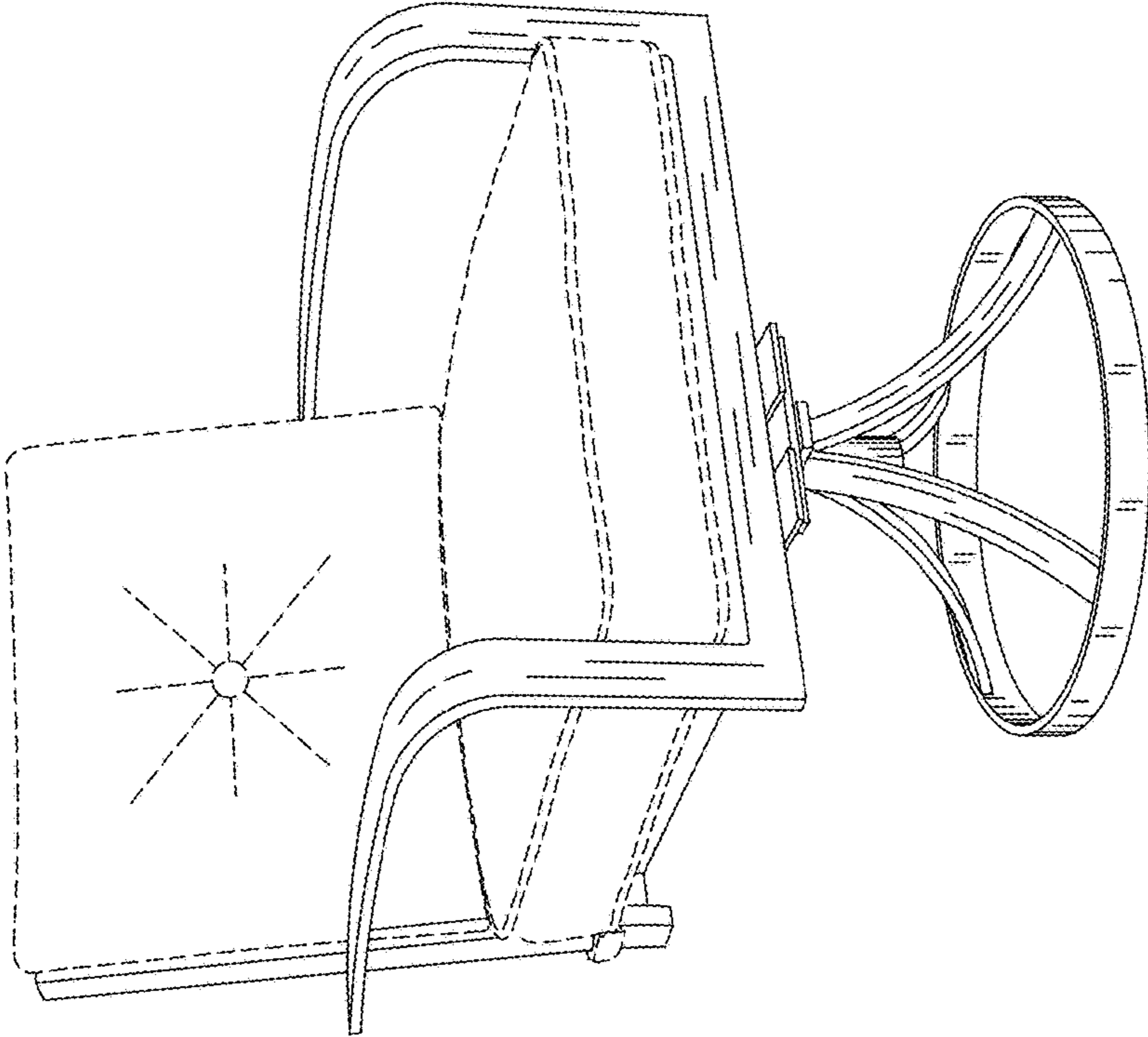


FIG. 1

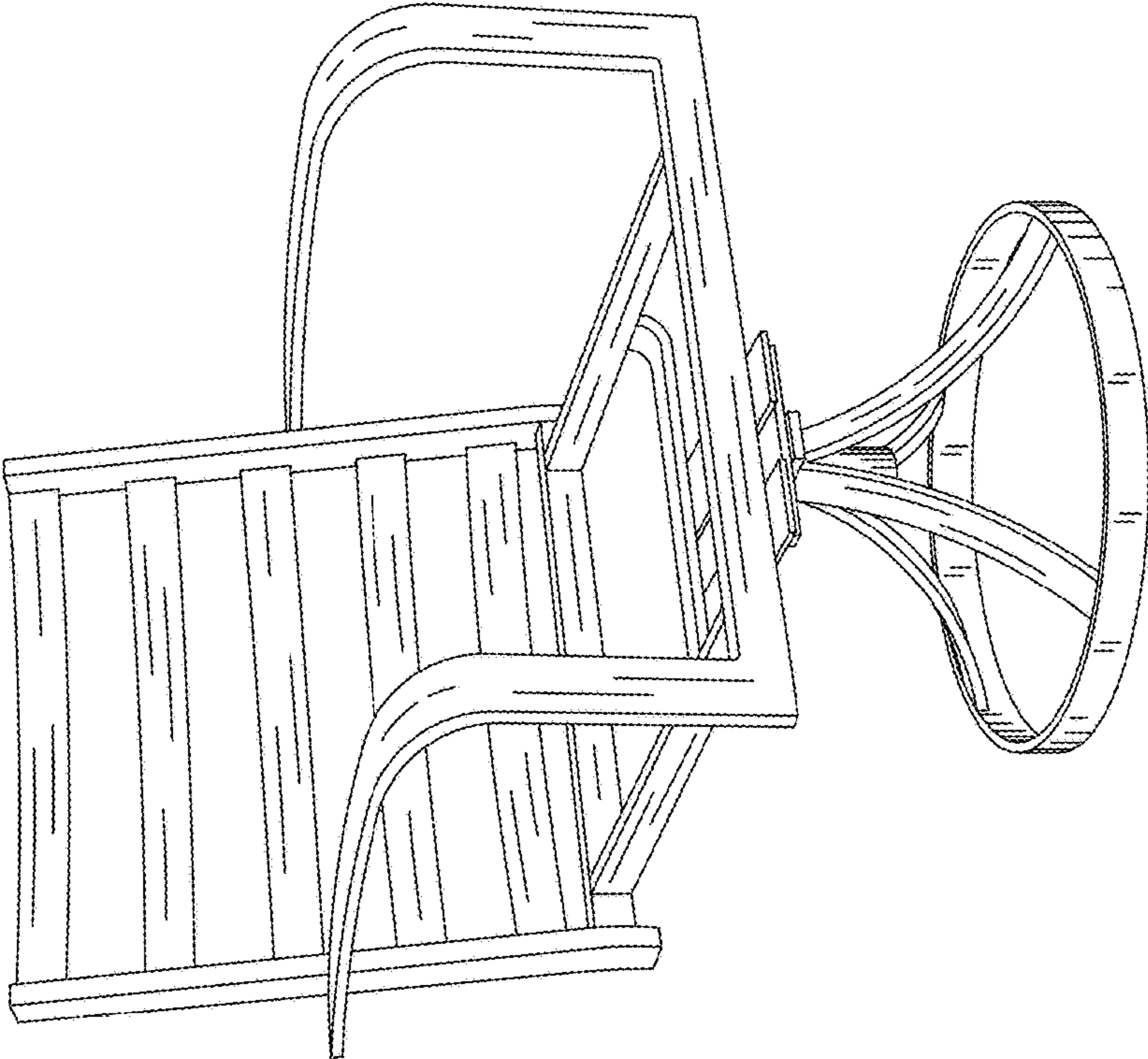


FIG. 2

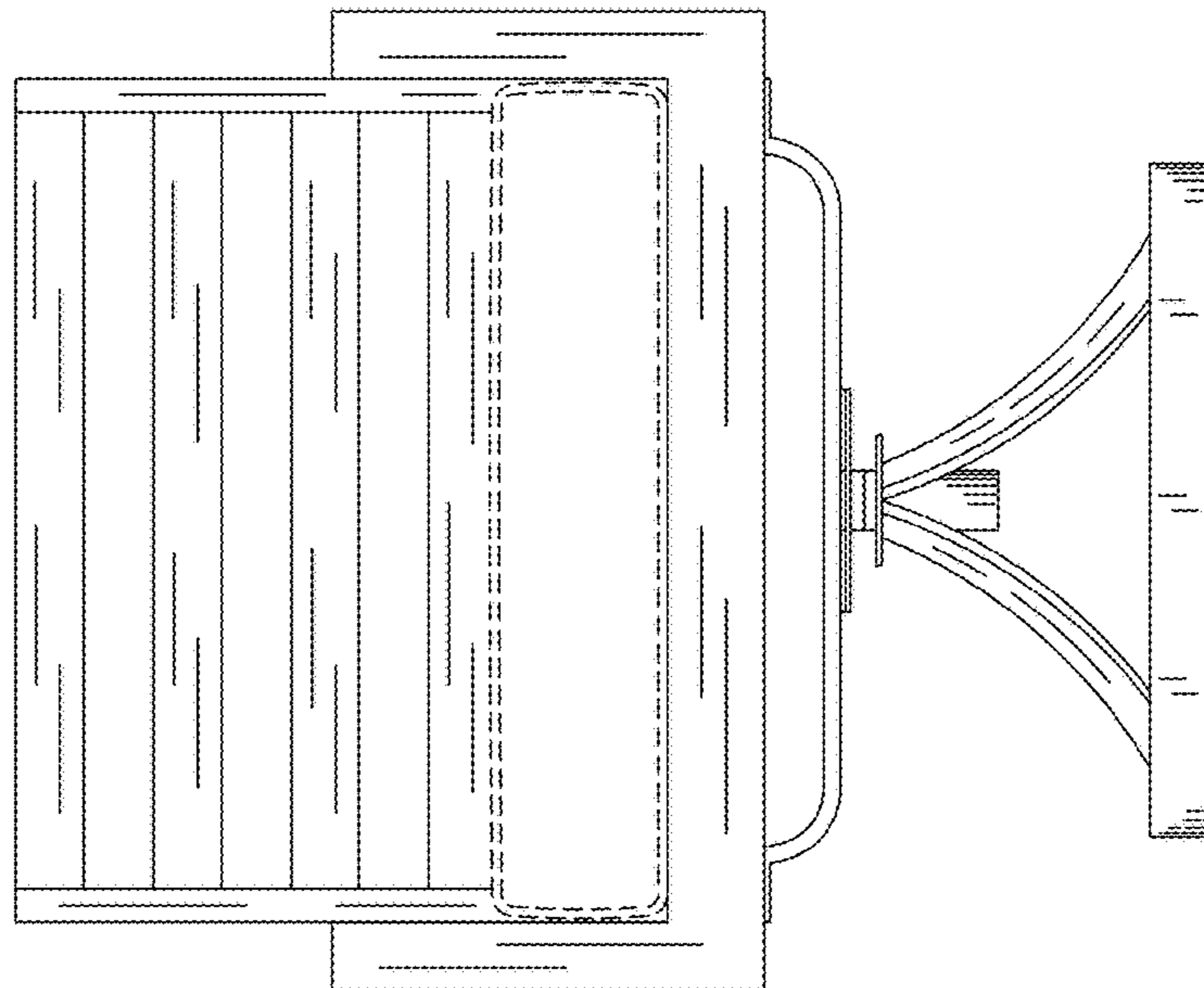


FIG. 3

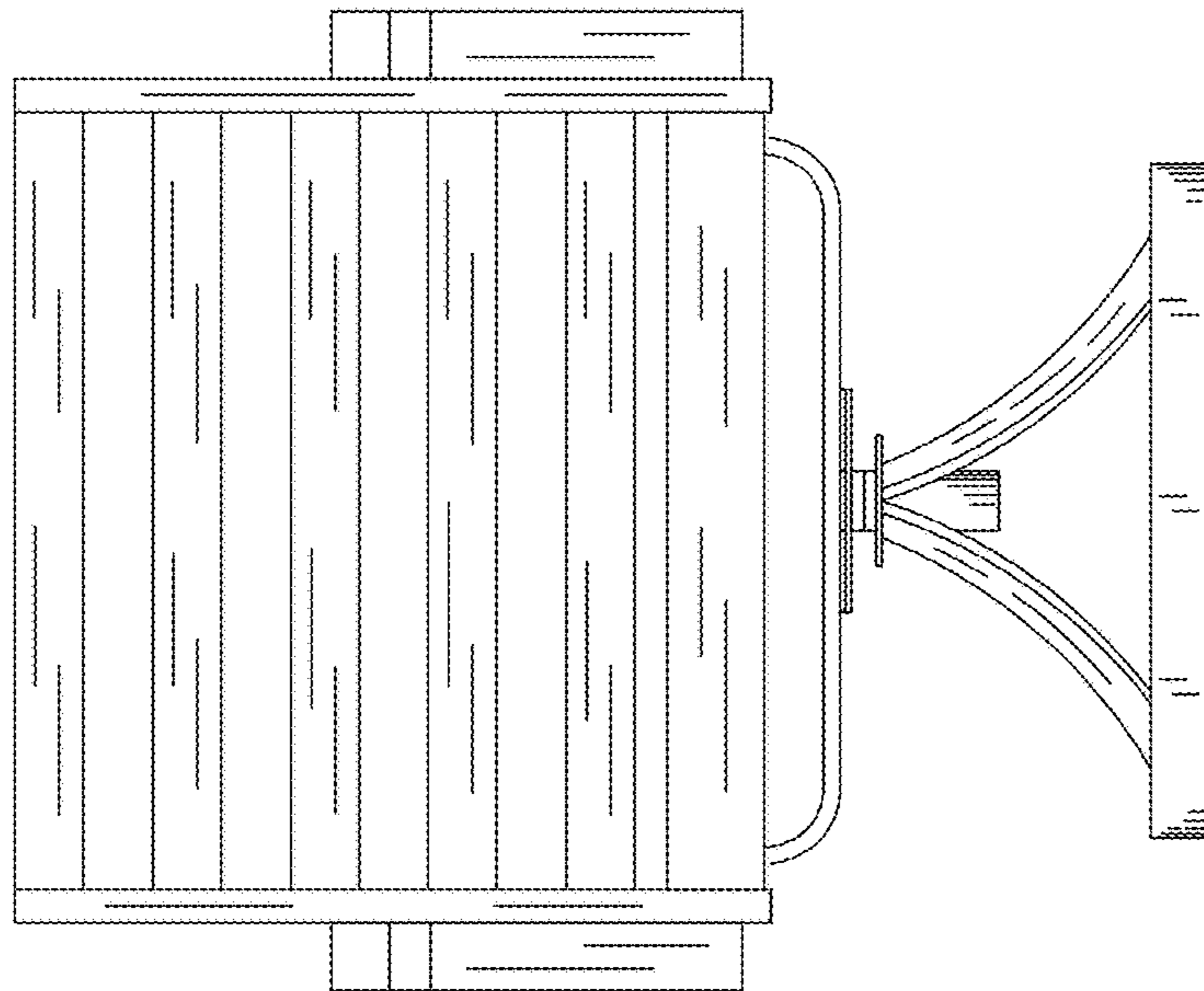


FIG. 4

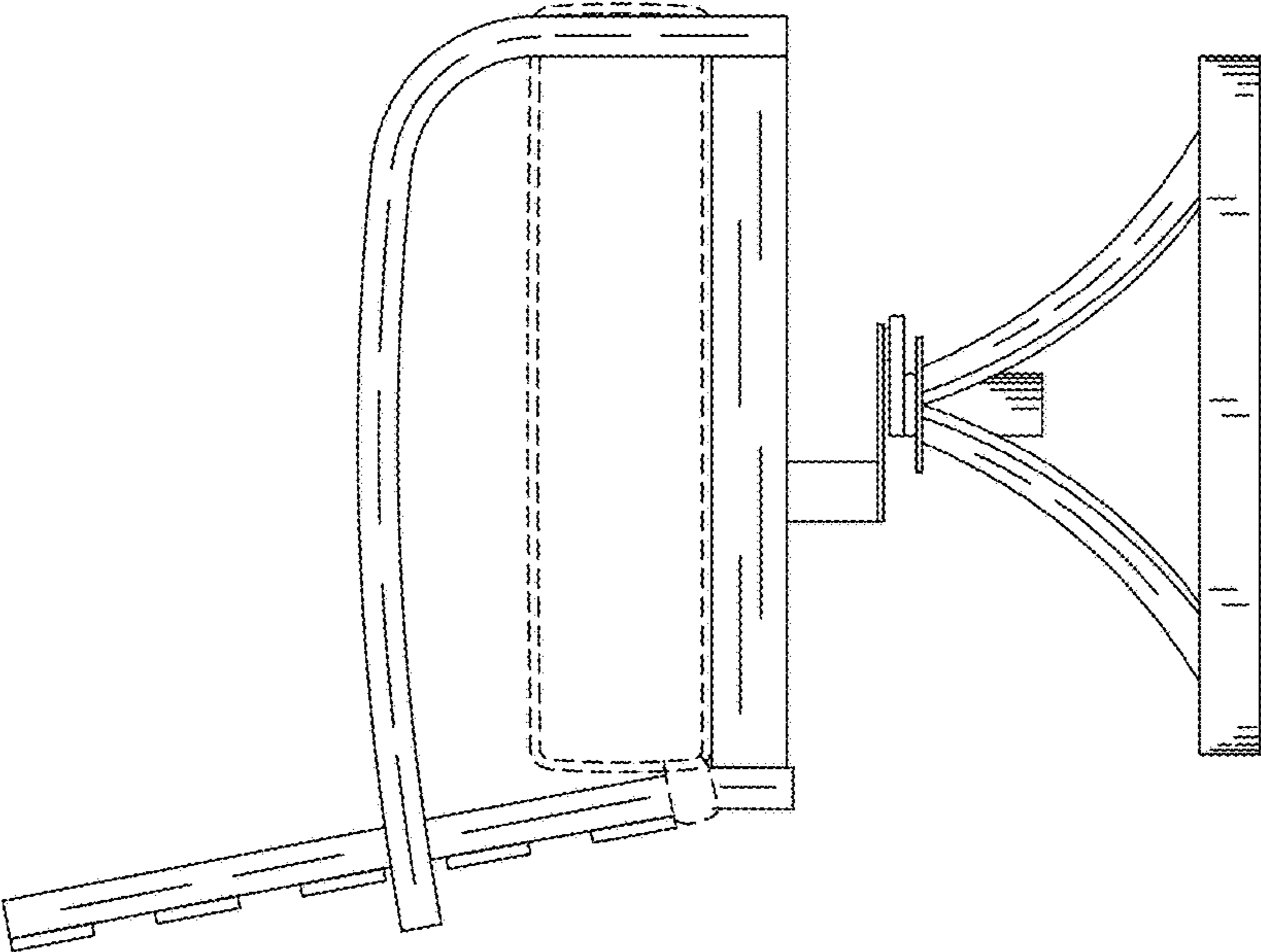


FIG. 5

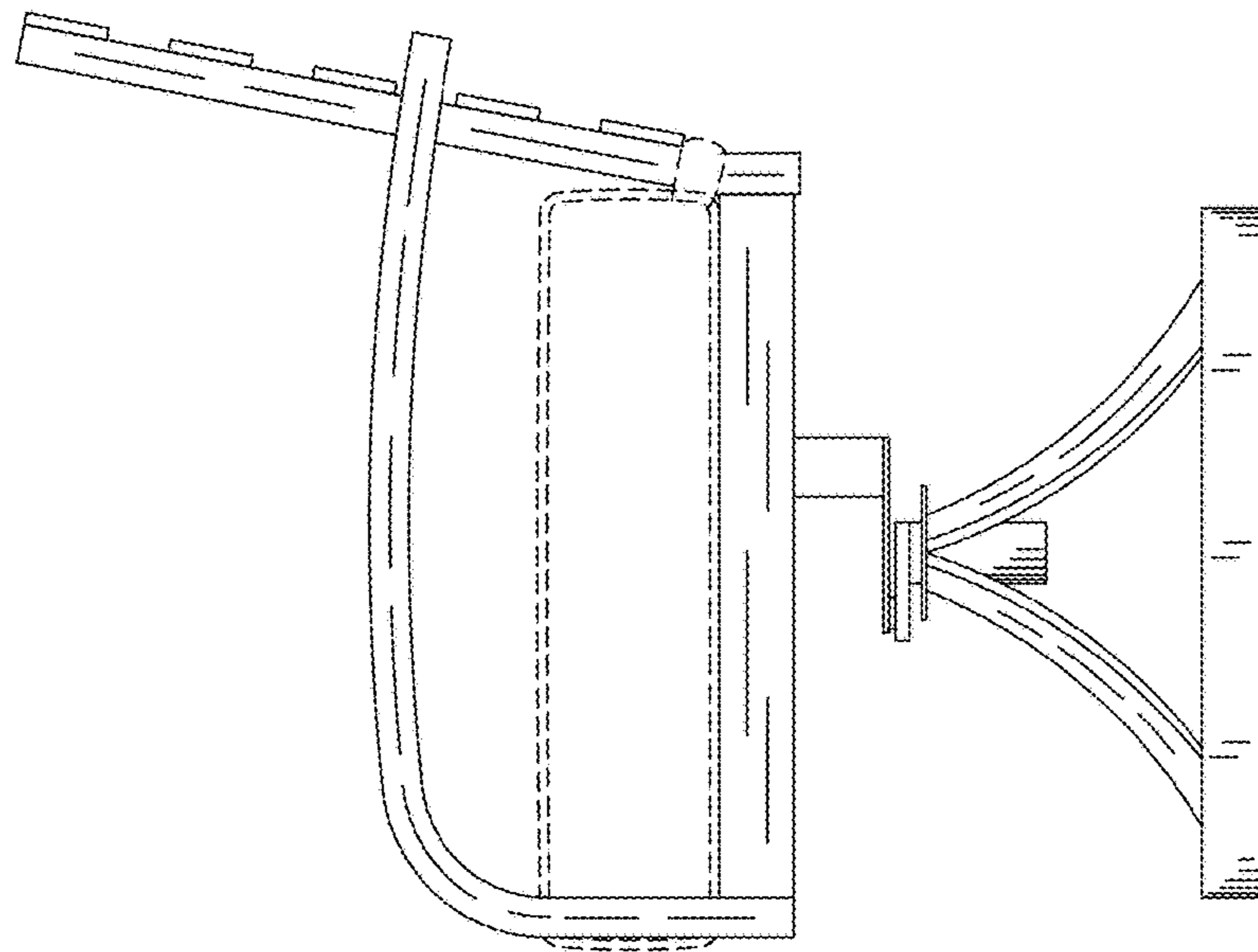


FIG. 6

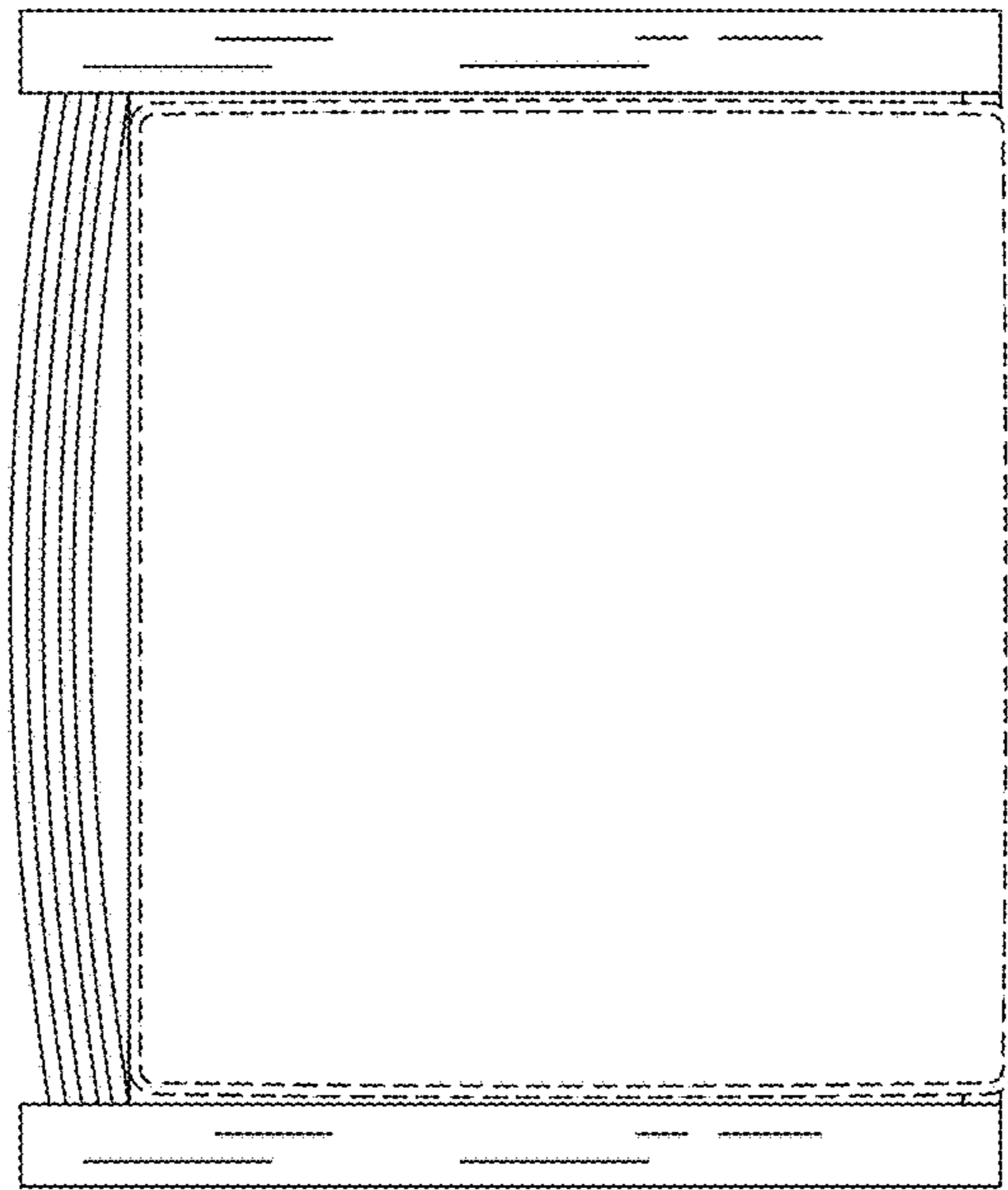


FIG. 7



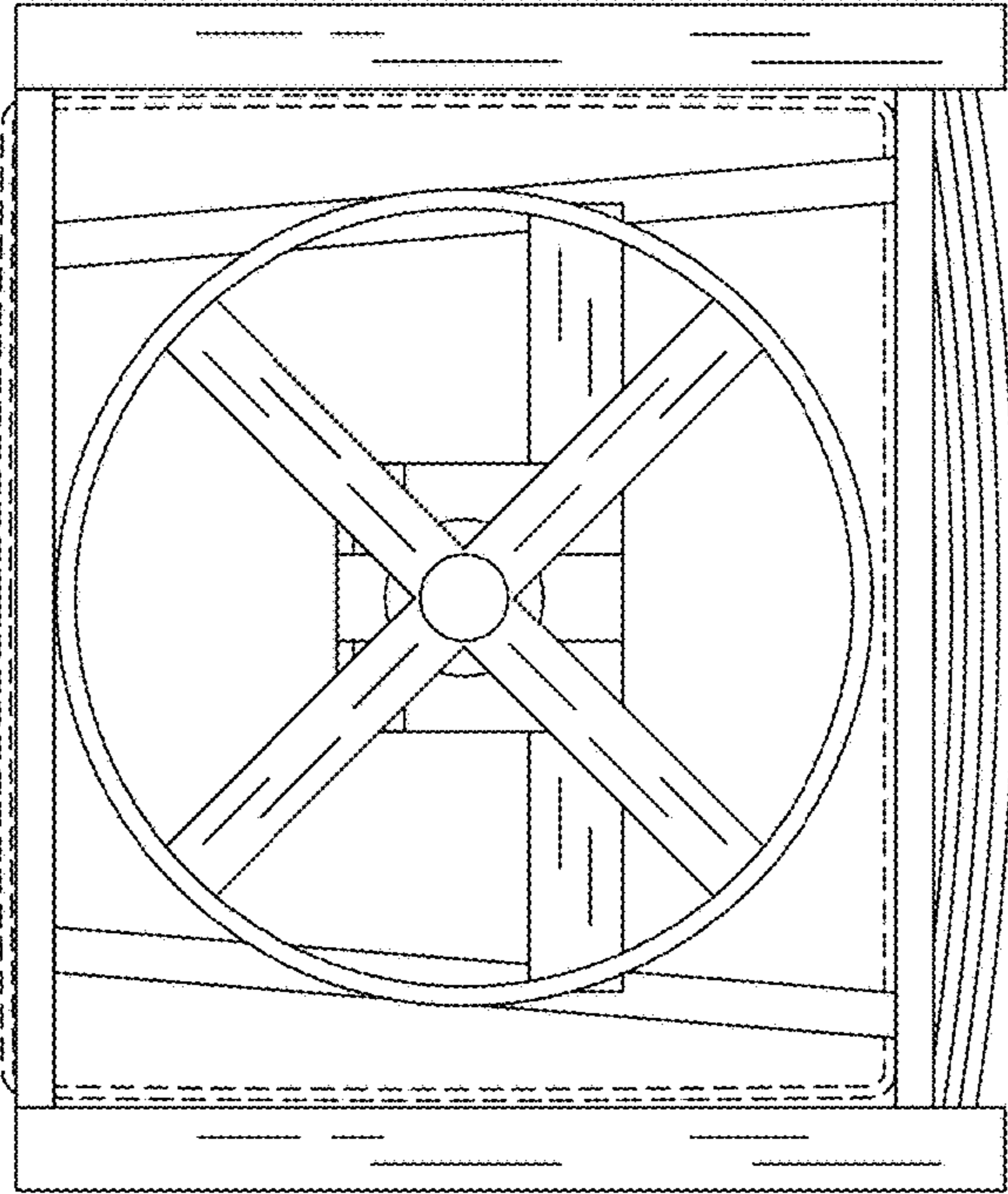


FIG. 8

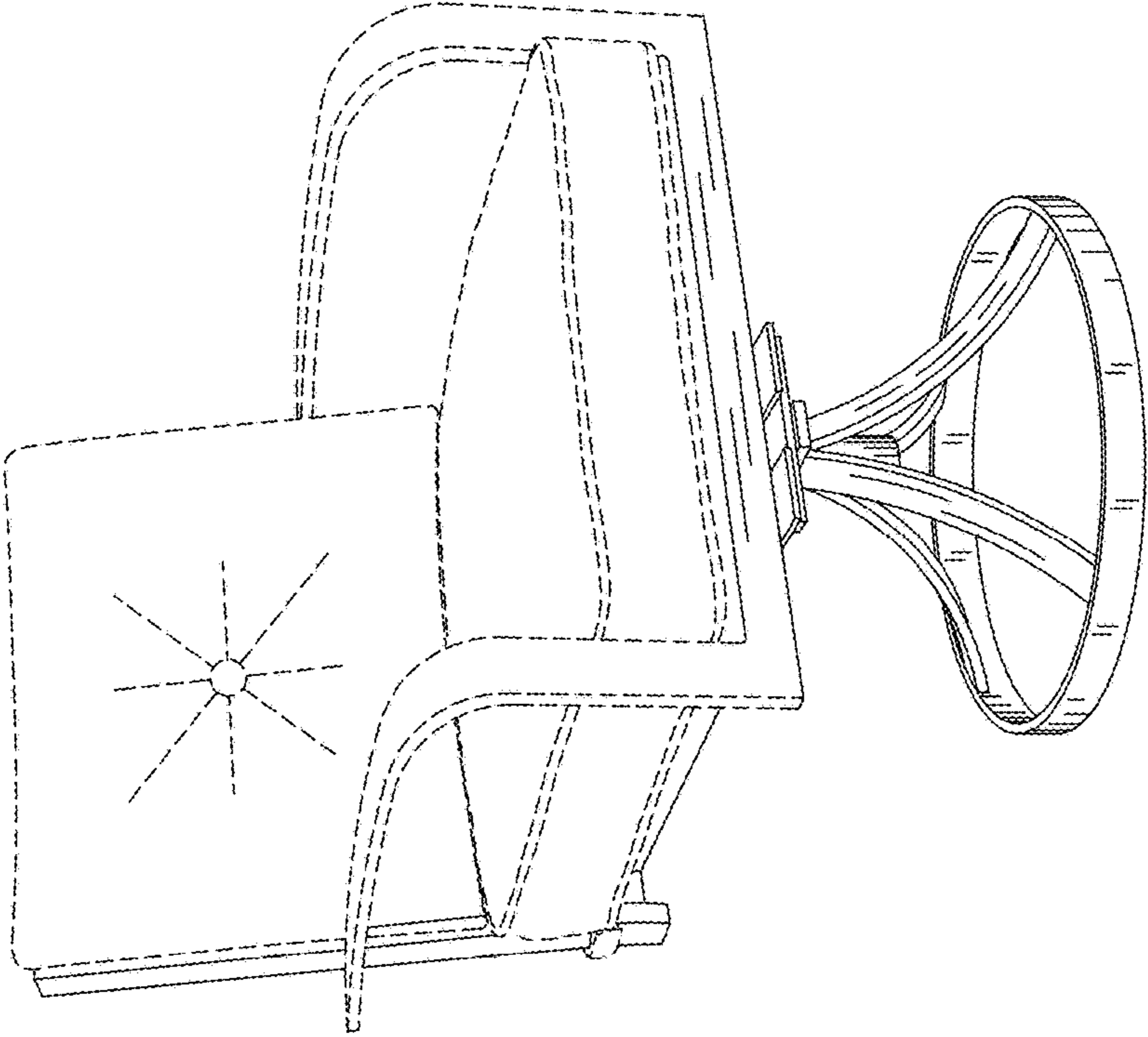


FIG. 9

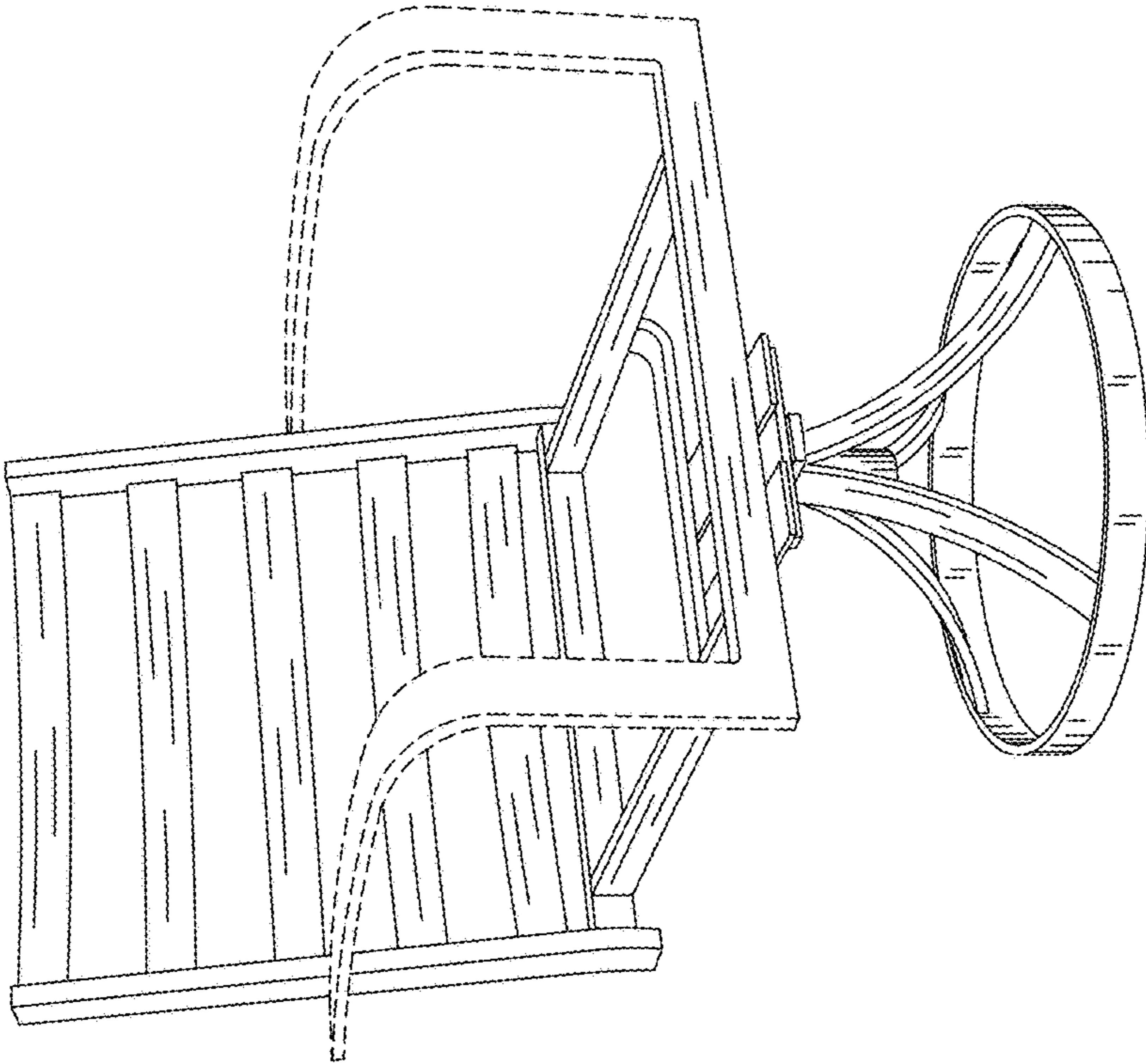


FIG. 10

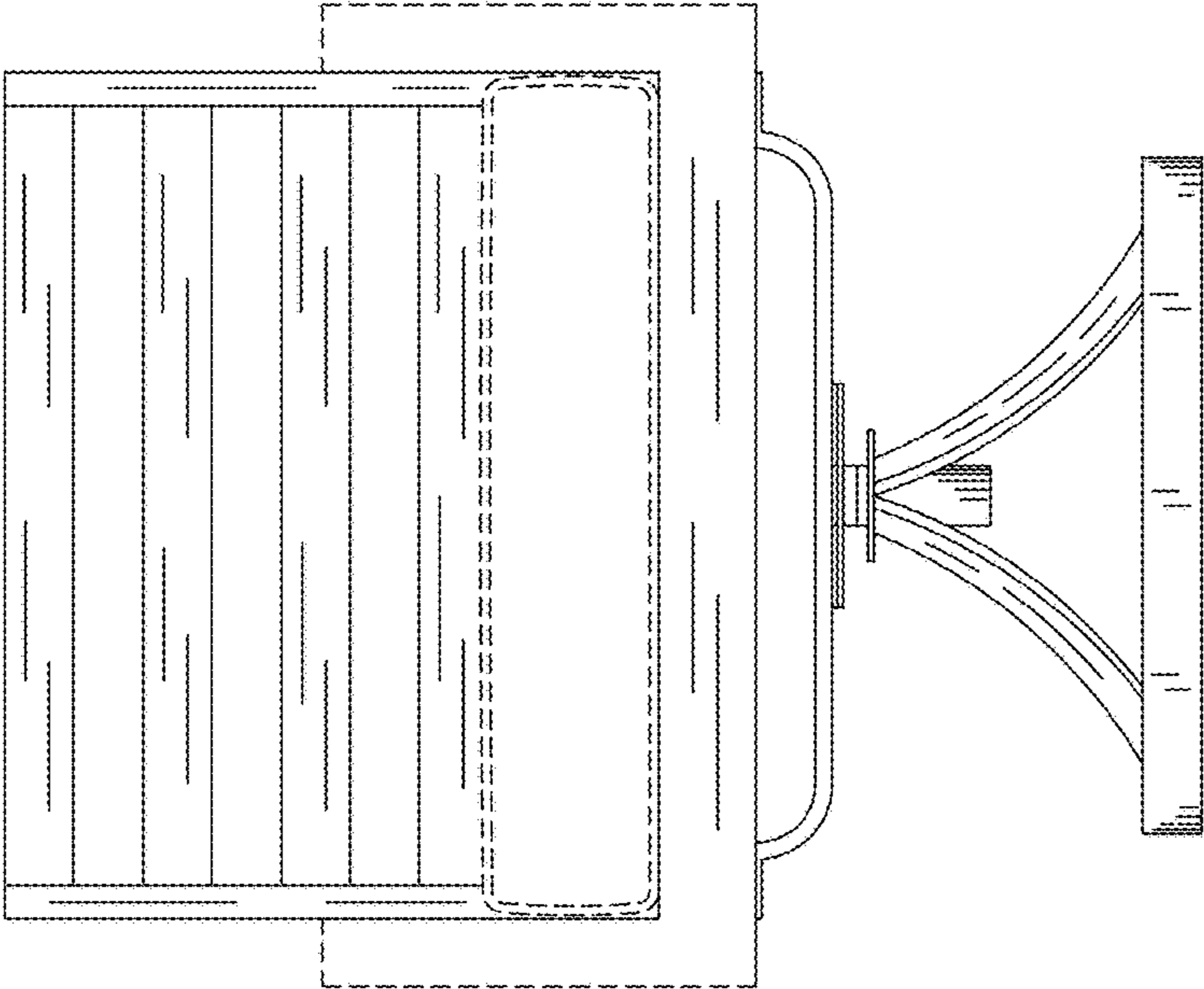


FIG. 11

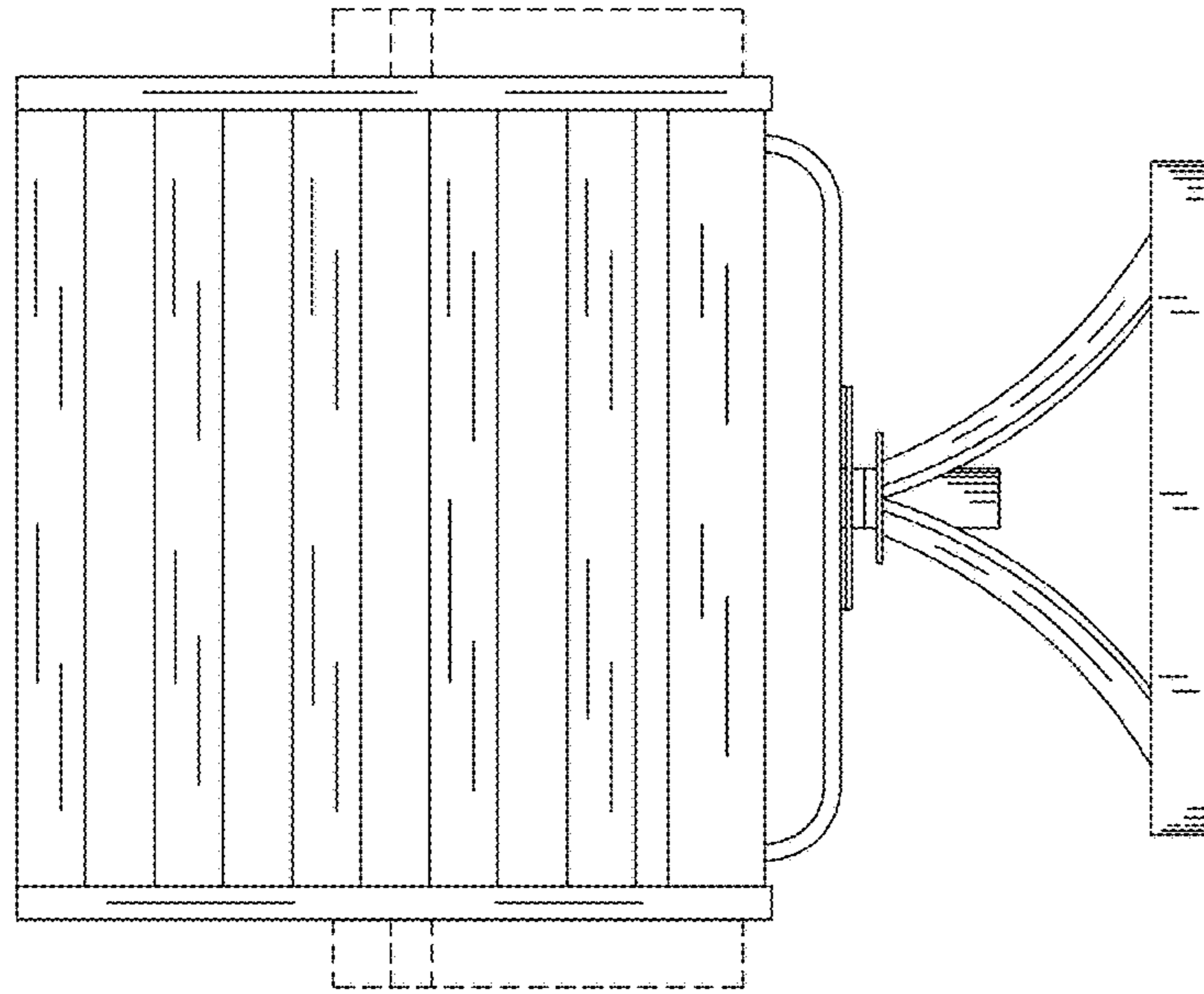


FIG. 12

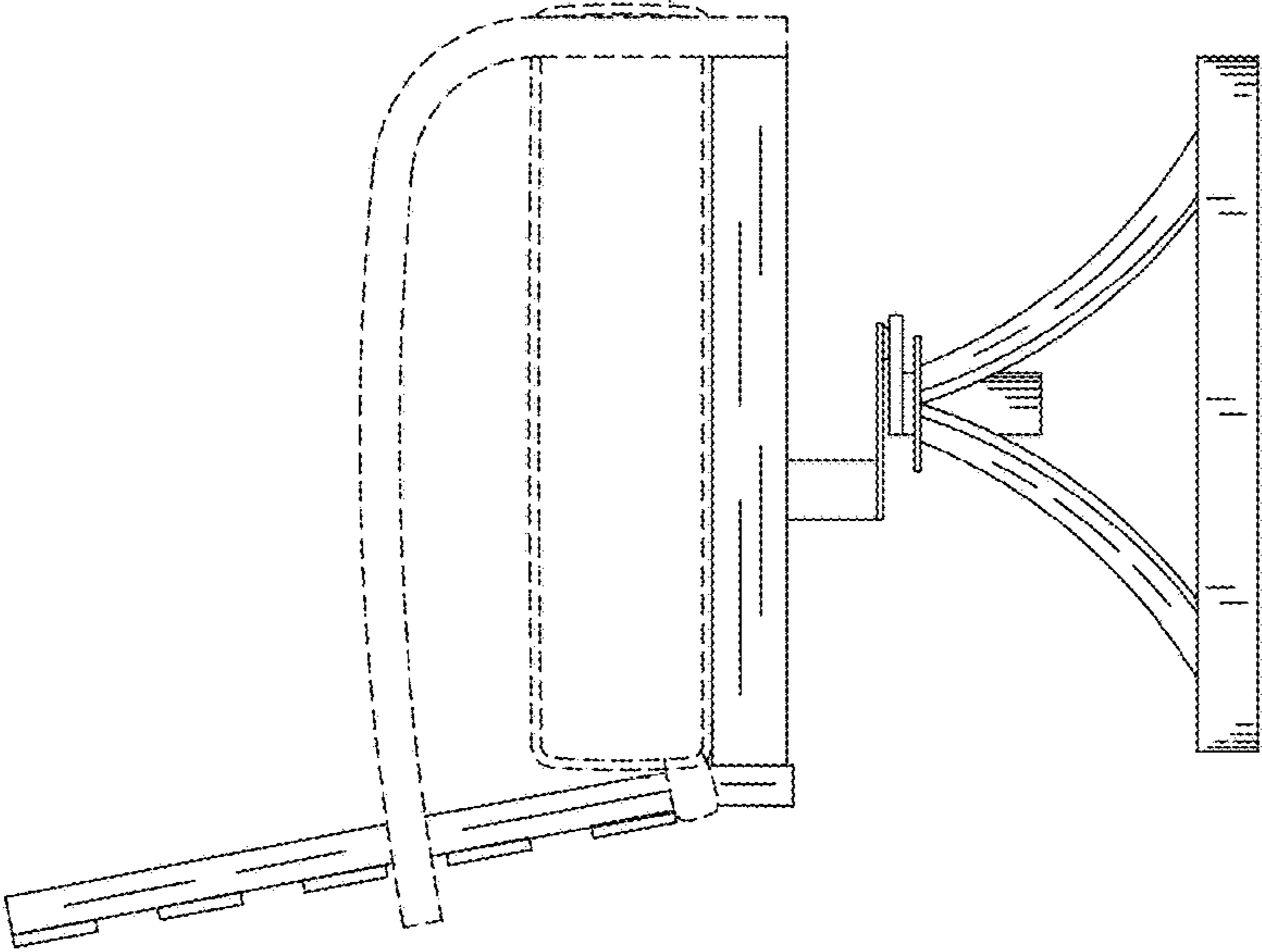


FIG. 13

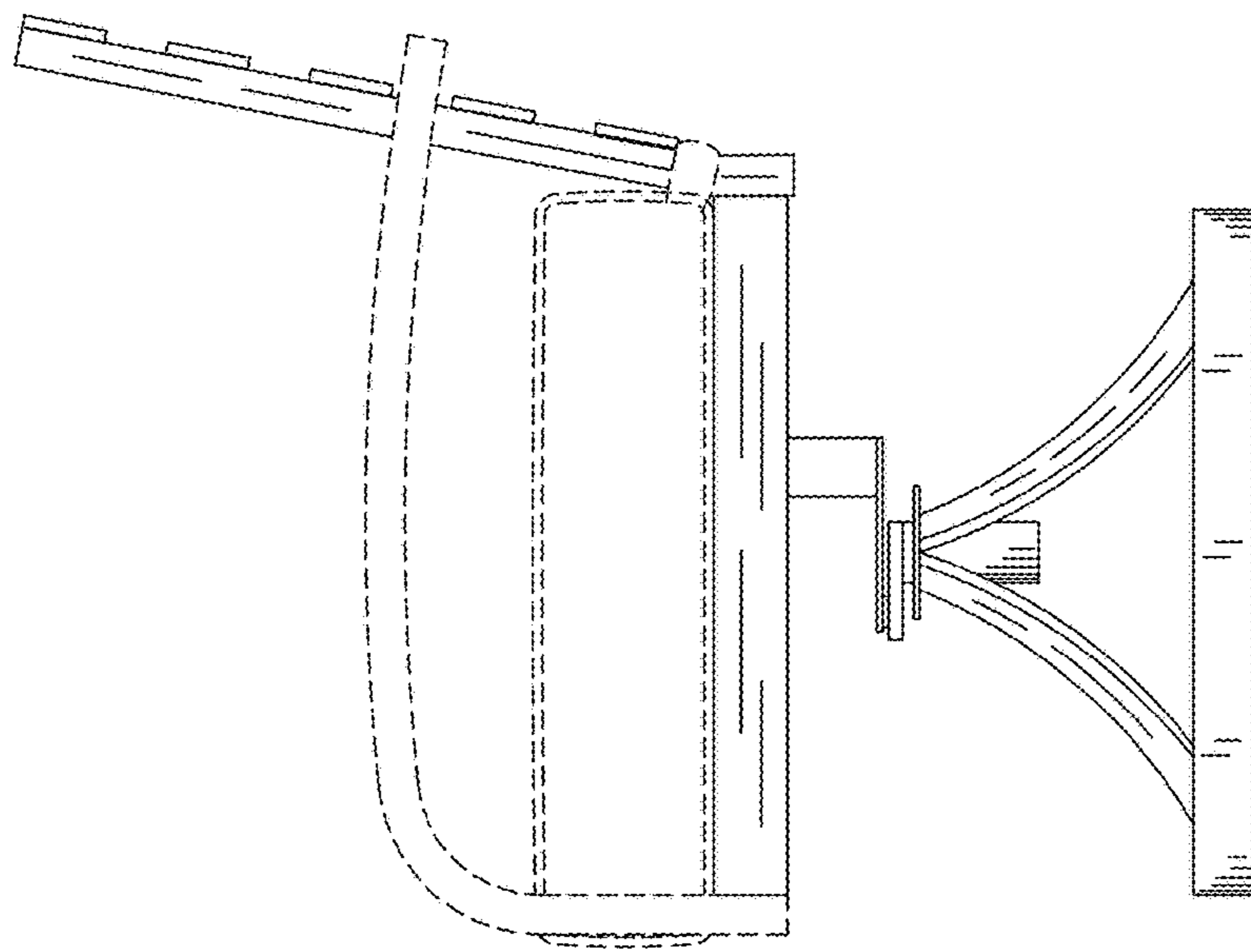


FIG. 14

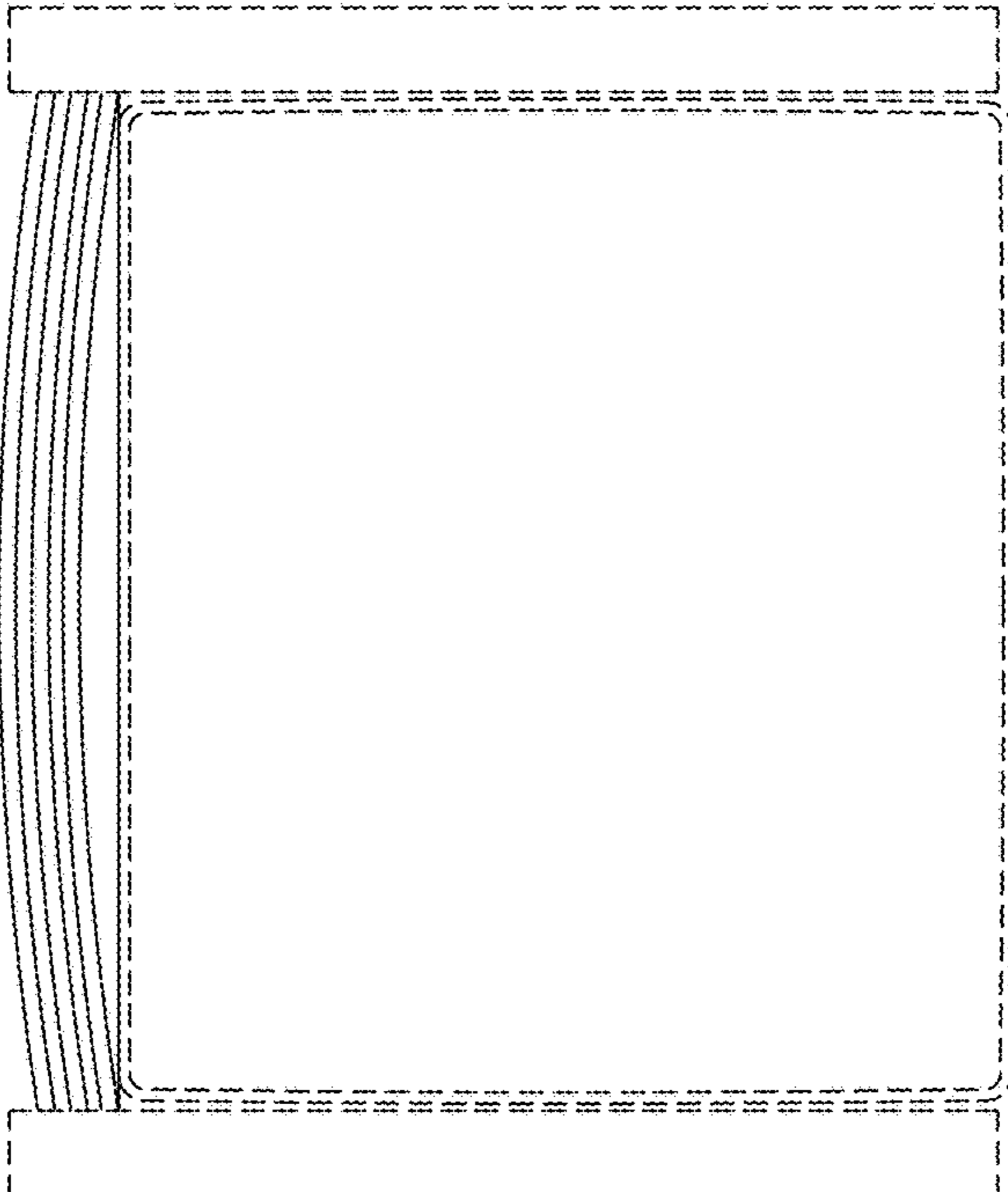


FIG. 15



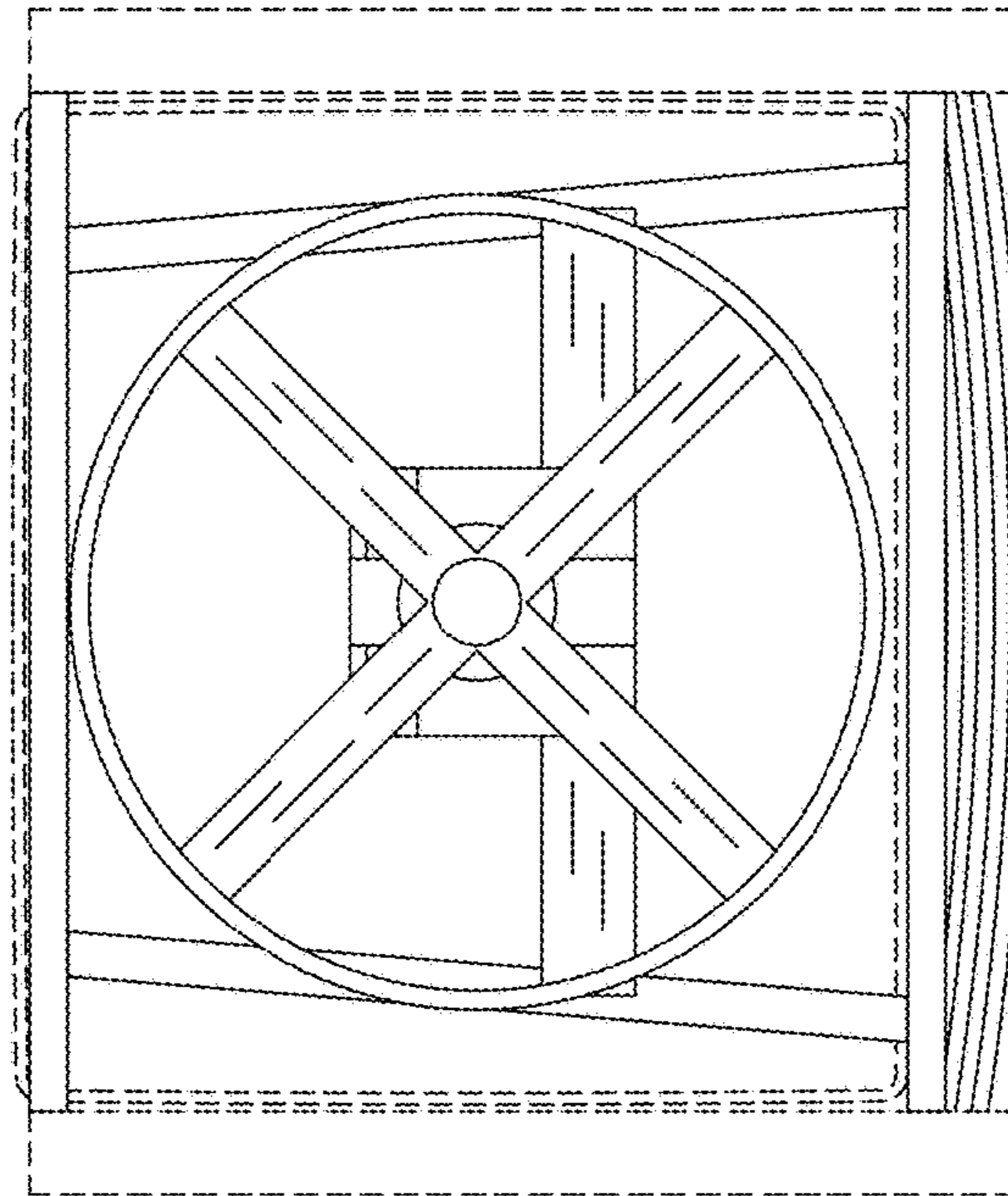


FIG. 16

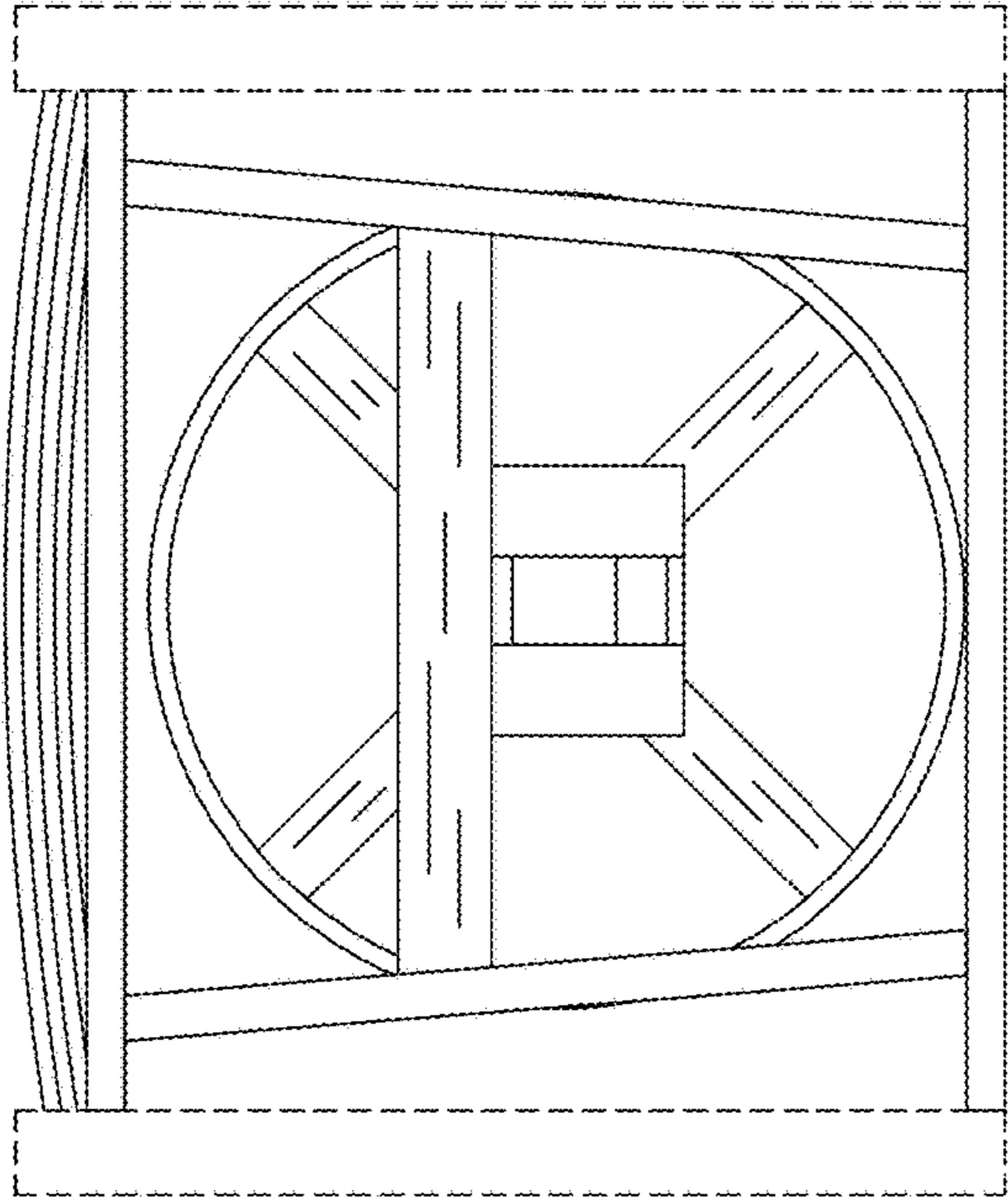


FIG. 17

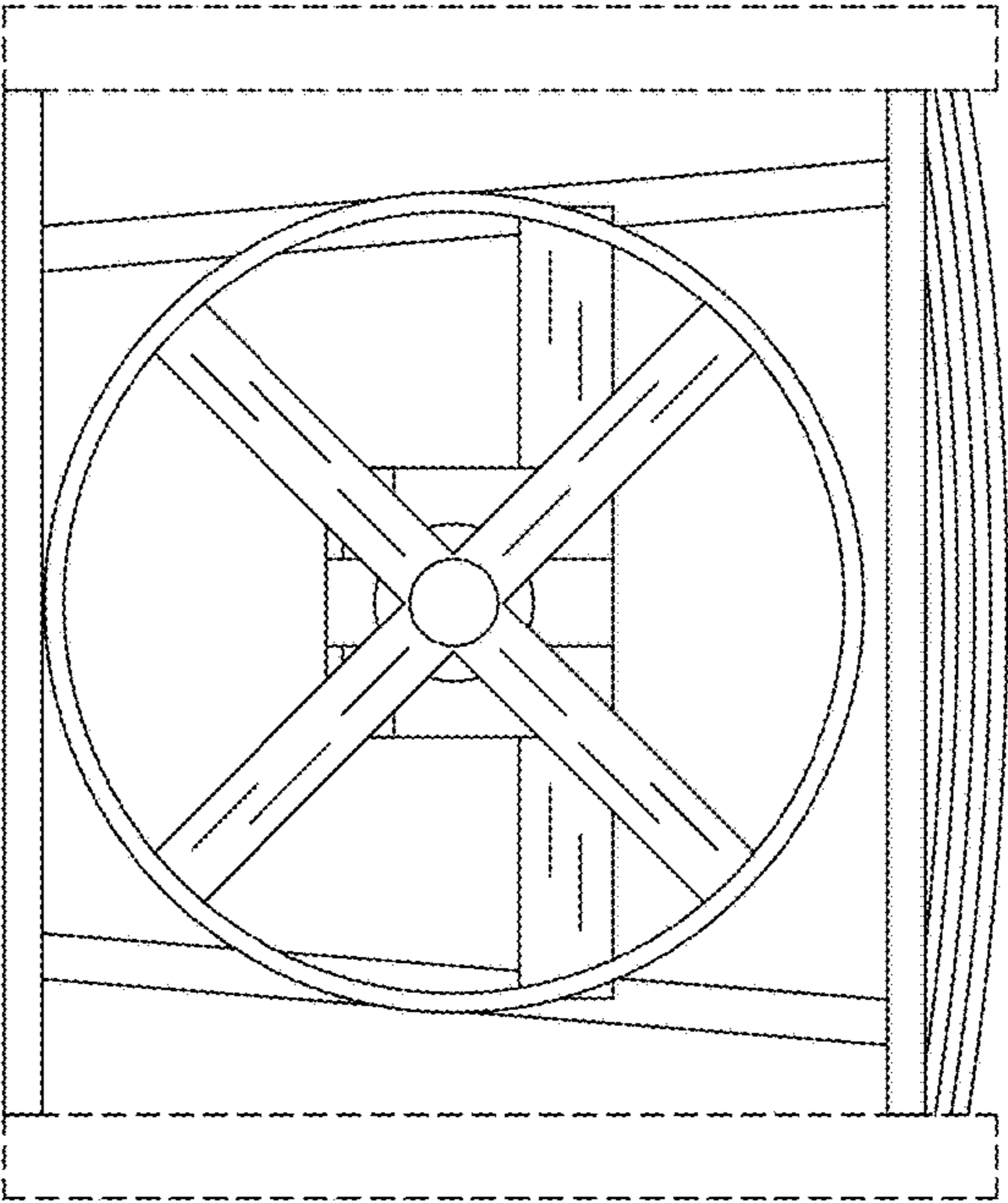


FIG. 18