



US00D833161S

(12) **United States Design Patent** (10) **Patent No.:** **US D833,161 S**
Haskell (45) **Date of Patent:** **** Nov. 13, 2018**

(54) **FOLDABLE LEG SUPPORT**

(71) Applicant: **Christopher F. Haskell**, South Beaufort, SC (US)
(72) Inventor: **Christopher F. Haskell**, South Beaufort, SC (US)

(**) Term: **15 Years**

(21) Appl. No.: **29/626,030**

(22) Filed: **Nov. 14, 2017**

(51) **LOC (11) Cl.** **06-01**

(52) **U.S. Cl.**
USPC **D6/353**

(58) **Field of Classification Search**
USPC D6/334, 349-353, 355, 364-365, 596, D6/601, 604, 691-691.9, 692-692.6, D6/716-716.1
CPC A47C 16/00; A47C 16/02-16/04; A47C 13/00; A47C 11/00; A47C 12/00; A47C 17/02; A47K 17/028; A47B 7/00-7/02
See application file for complete search history.

(56) **References Cited**

U.S. PATENT DOCUMENTS

110,240 A	12/1870	James	
120,176 A	10/1871	Withall	
183,475 A	10/1876	Weddle	
195,425 A	9/1877	Weddle	
217,621 A	7/1879	Jungmann	
266,630 A	10/1882	Jambers	
277,880 A	5/1883	Burris et al.	
1,315,264 A	9/1919	Walker	
1,979,152 A	10/1934	Green et al.	
2,085,164 A	6/1937	Mead	
2,384,234 A *	9/1945	Breese	A47B 85/04 297/2
2,614,613 A	10/1952	Bushong	
2,615,503 A	10/1952	Enge	
2,914,117 A	11/1959	Underwood	
3,051,527 A *	8/1962	McKenna	A47C 16/025 297/423.45
3,264,033 A	8/1966	Hansburg	
3,485,526 A	12/1969	Olitzky	

(Continued)

OTHER PUBLICATIONS

Footstools. Best Folding Footstools for Sale. [online] Published on Oct. 17, 2017. Retrieved Aug. 1, 2018 from URL: <https://rvacreativityawards.com/best-folding-footstools-for-sale/folding-footstools-for-sale-folding-footrest-for-travel-ideas-cordoba-folding-footstool/>.*

Primary Examiner — Vy N Koenig

(74) *Attorney, Agent, or Firm* — O'Connell Law Firm; Thomas P. O'Connell

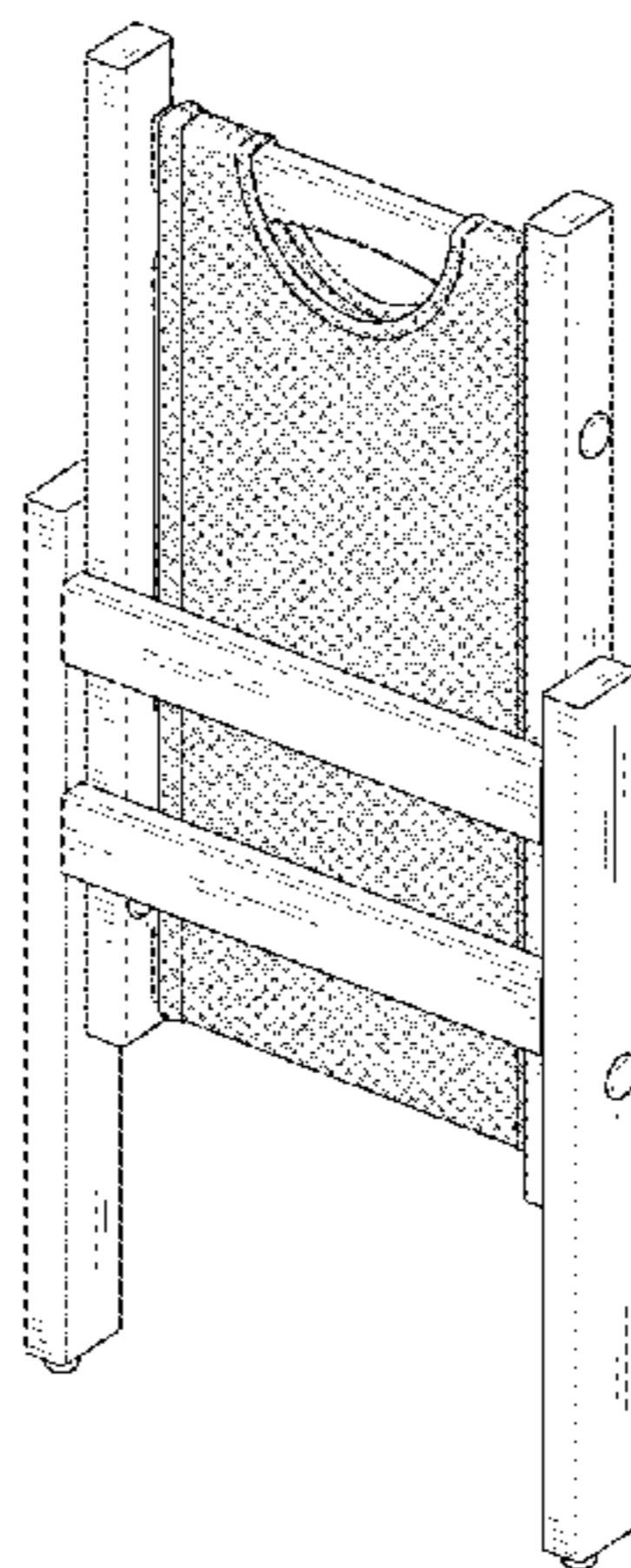
(57) **CLAIM**

The ornamental design for a foldable leg support, as shown and described.

DESCRIPTION

FIG. 1 is a perspective view of a foldable leg support showing my new design in a folded configuration; FIG. 2 is a perspective view of the foldable leg support in an open configuration; FIG. 3 is a perspective view of the foldable leg support in an open configuration during use thereof; FIG. 4 is a view in front elevation of the foldable leg support in an open configuration; FIG. 5 is a view in rear elevation of the foldable leg support in an open configuration; FIG. 6 is a view in right side elevation of the foldable leg support in an open configuration; FIG. 7 is a view in left side elevation of the foldable leg support of FIG. 1 in an open configuration in use thereof; FIG. 8 is a top plan view of the foldable leg support in an open configuration; and, FIG. 9 is a bottom plan view of the foldable leg support in an open configuration. The broken lines in the drawings depict environmental subject matter and form no part of the claimed design.

1 Claim, 6 Drawing Sheets



(56)

References Cited

U.S. PATENT DOCUMENTS

3,695,684 A * 10/1972 Barberg A47C 3/029
297/1
D240,873 S 8/1976 Lewis
4,067,614 A 1/1978 Confer et al.
4,077,668 A 3/1978 Puccinelli
4,296,694 A * 10/1981 Kobayashi A47C 16/025
108/116
5,154,484 A 10/1992 Aronson
D343,524 S 1/1994 Mandle
D364,745 S * 12/1995 Rettenberger D6/336
D365,696 S 1/1996 Infanti
5,813,721 A 9/1998 Arcidiacono
D400,723 S 11/1998 Bergeson et al.
6,045,192 A 4/2000 Faulise
6,257,660 B1 7/2001 Calvey
D457,740 S 5/2002 Rosa
D553,371 S 10/2007 Haskell
D614,423 S * 4/2010 Mohazzabi D6/349
8,403,419 B2 * 3/2013 Damrow A47C 16/02
182/33
D804,837 S * 12/2017 Cohen D6/349

* cited by examiner

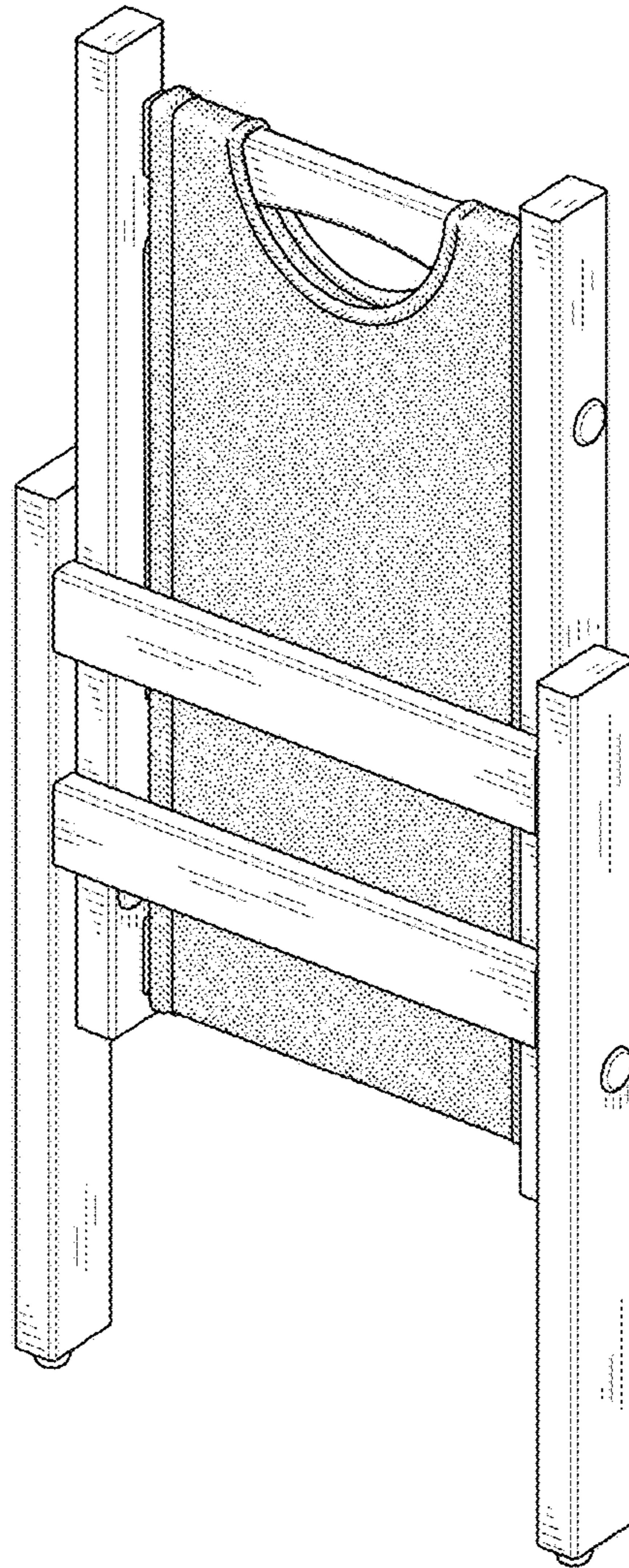


FIG. 1

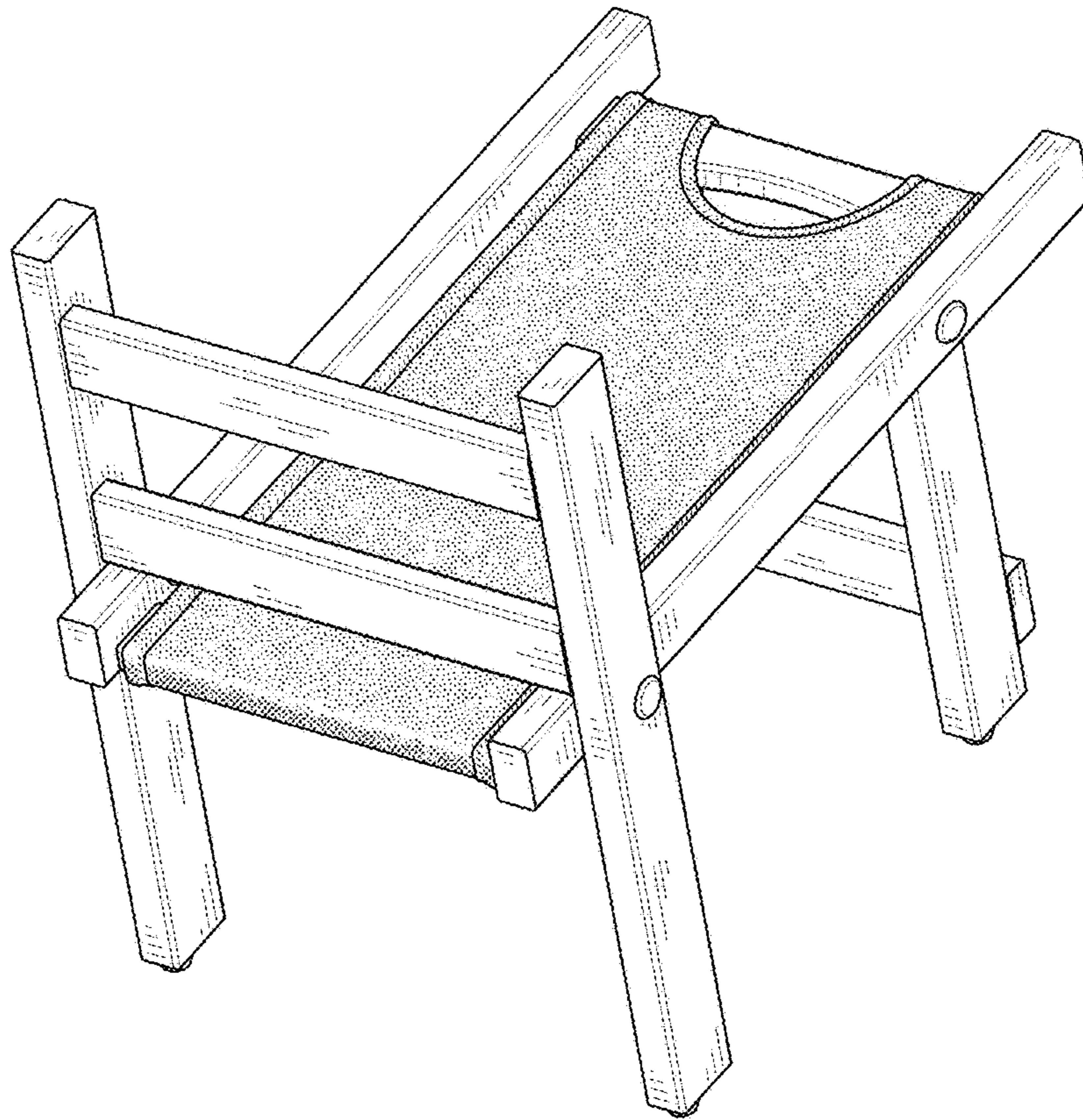


FIG. 2

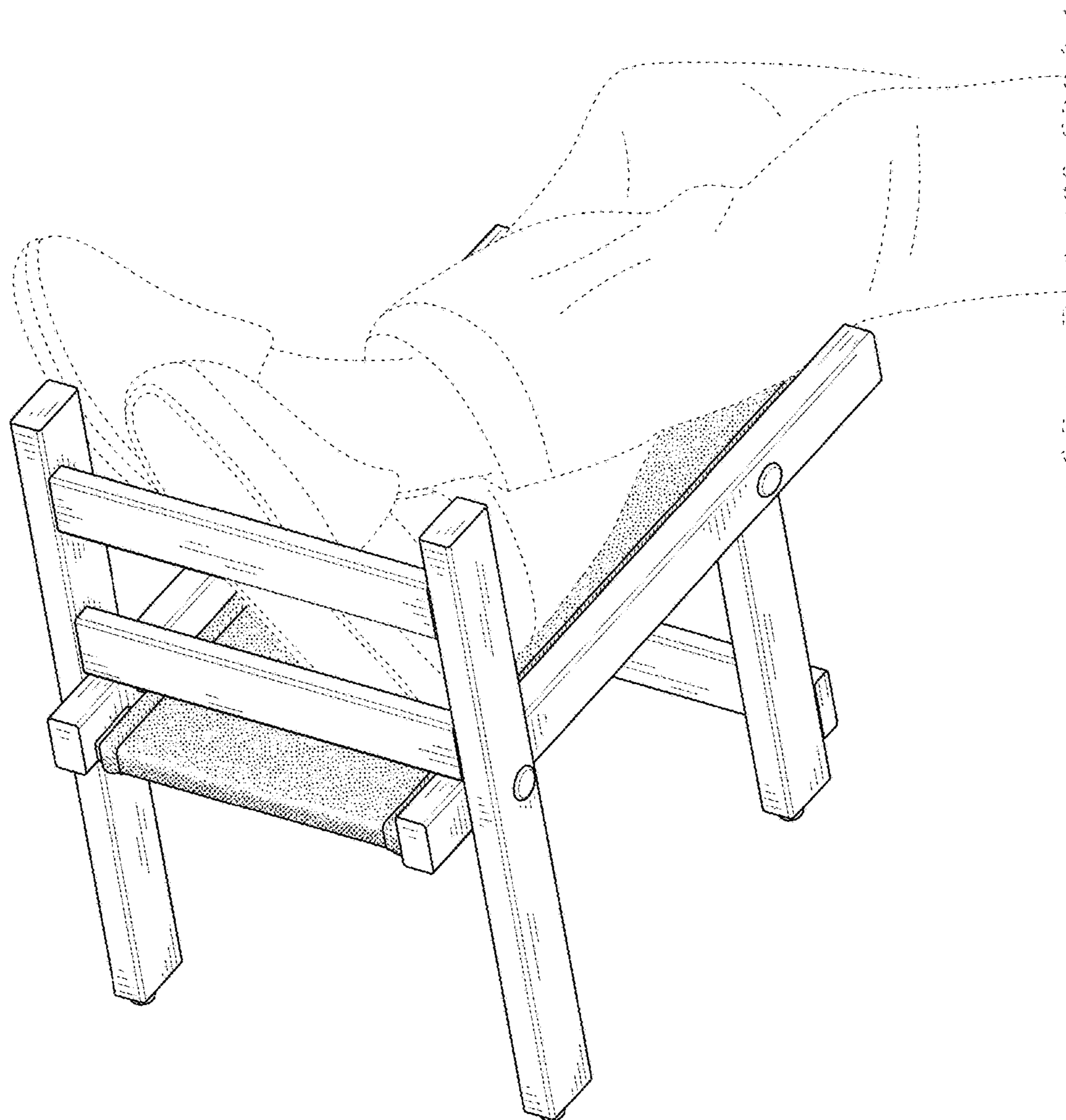


FIG. 3

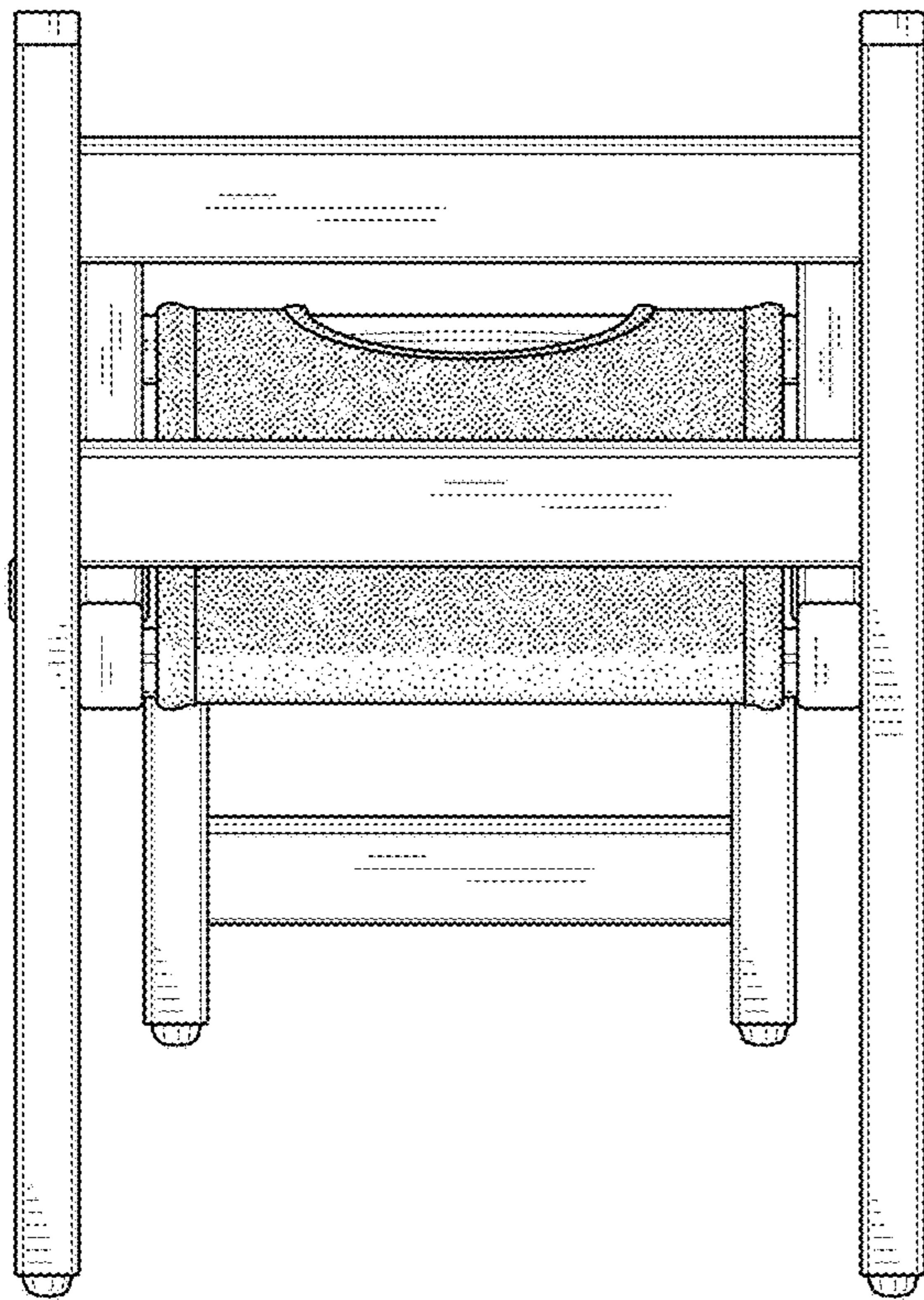


FIG. 4

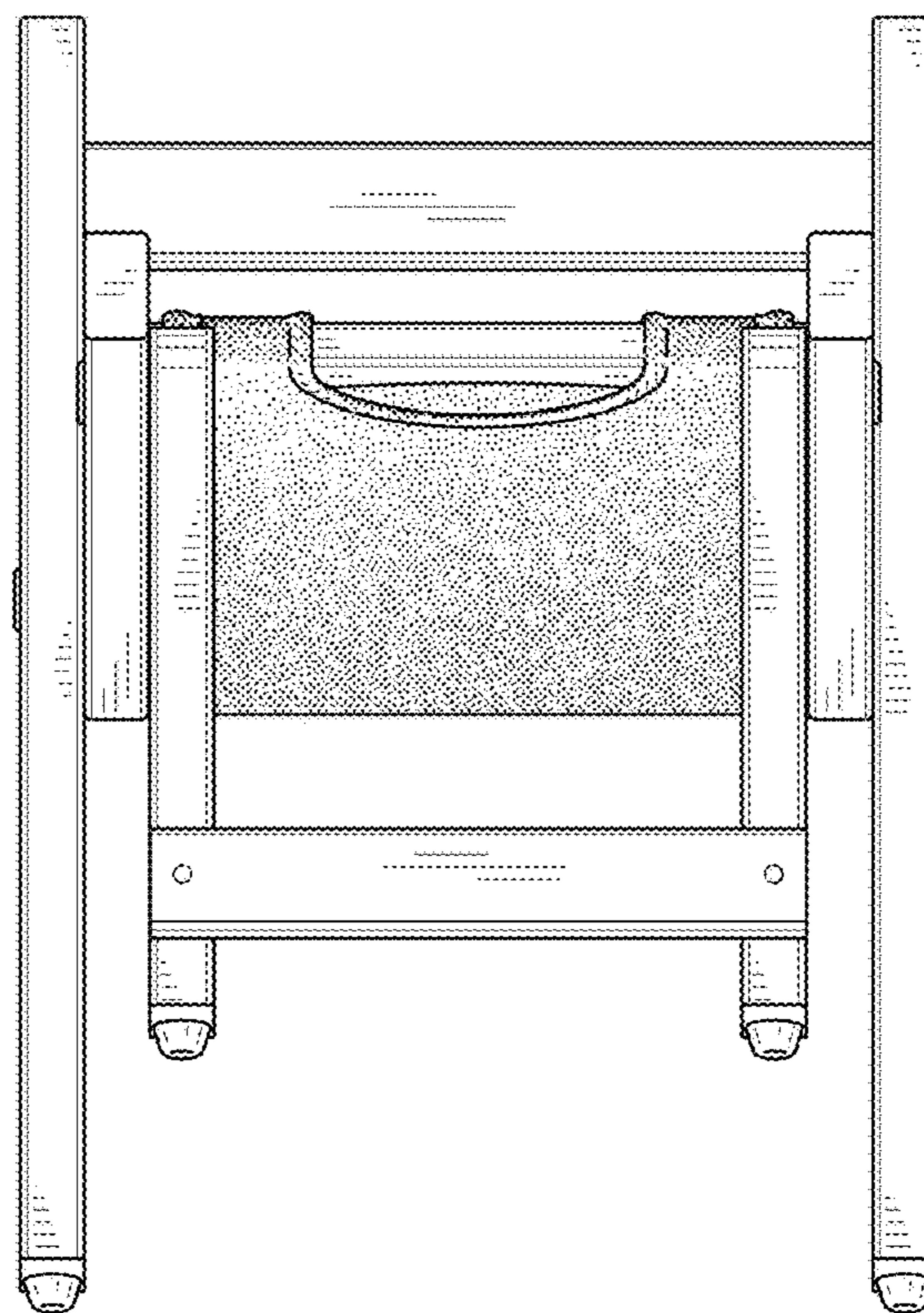


FIG. 5

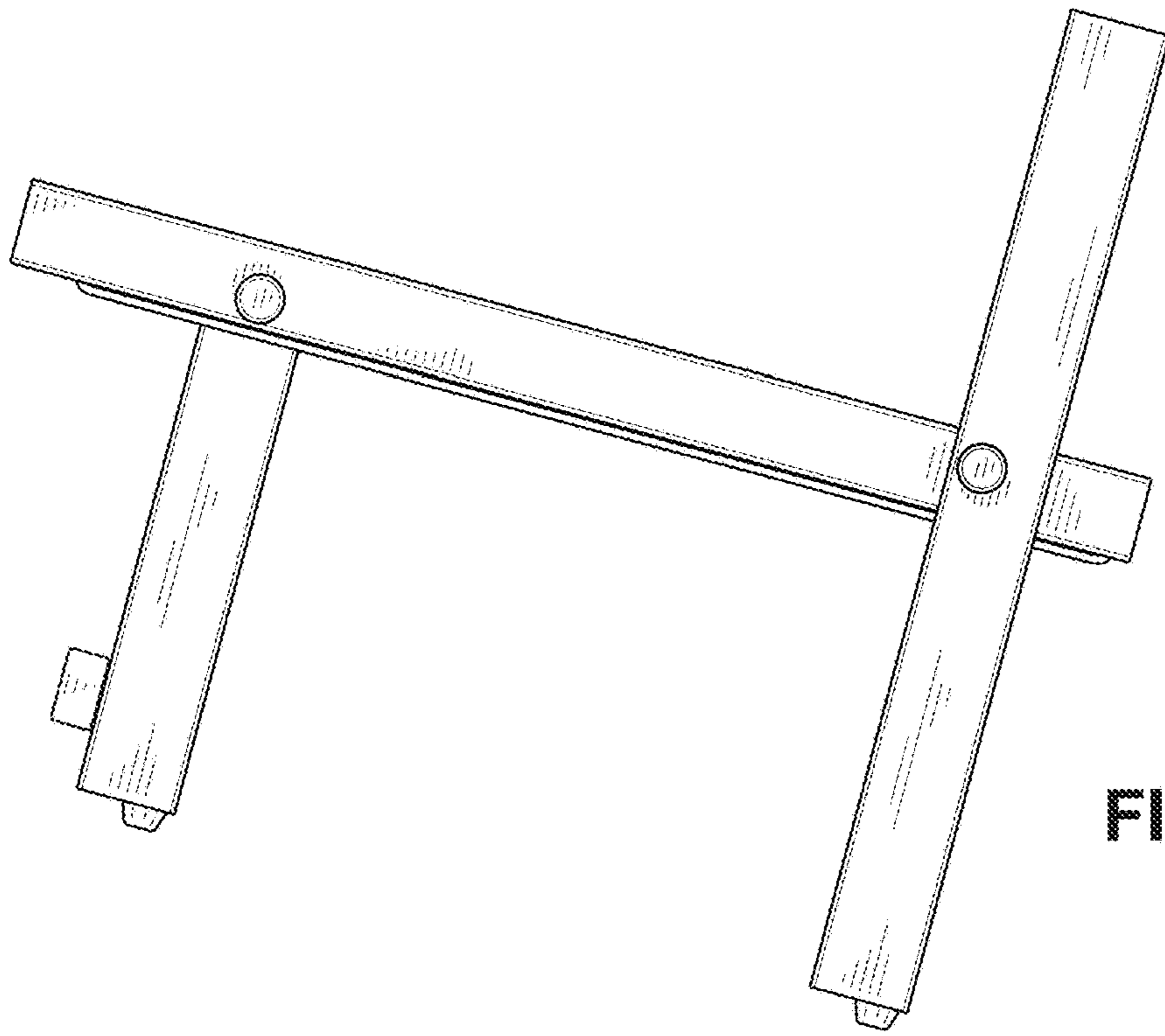


FIG. 6

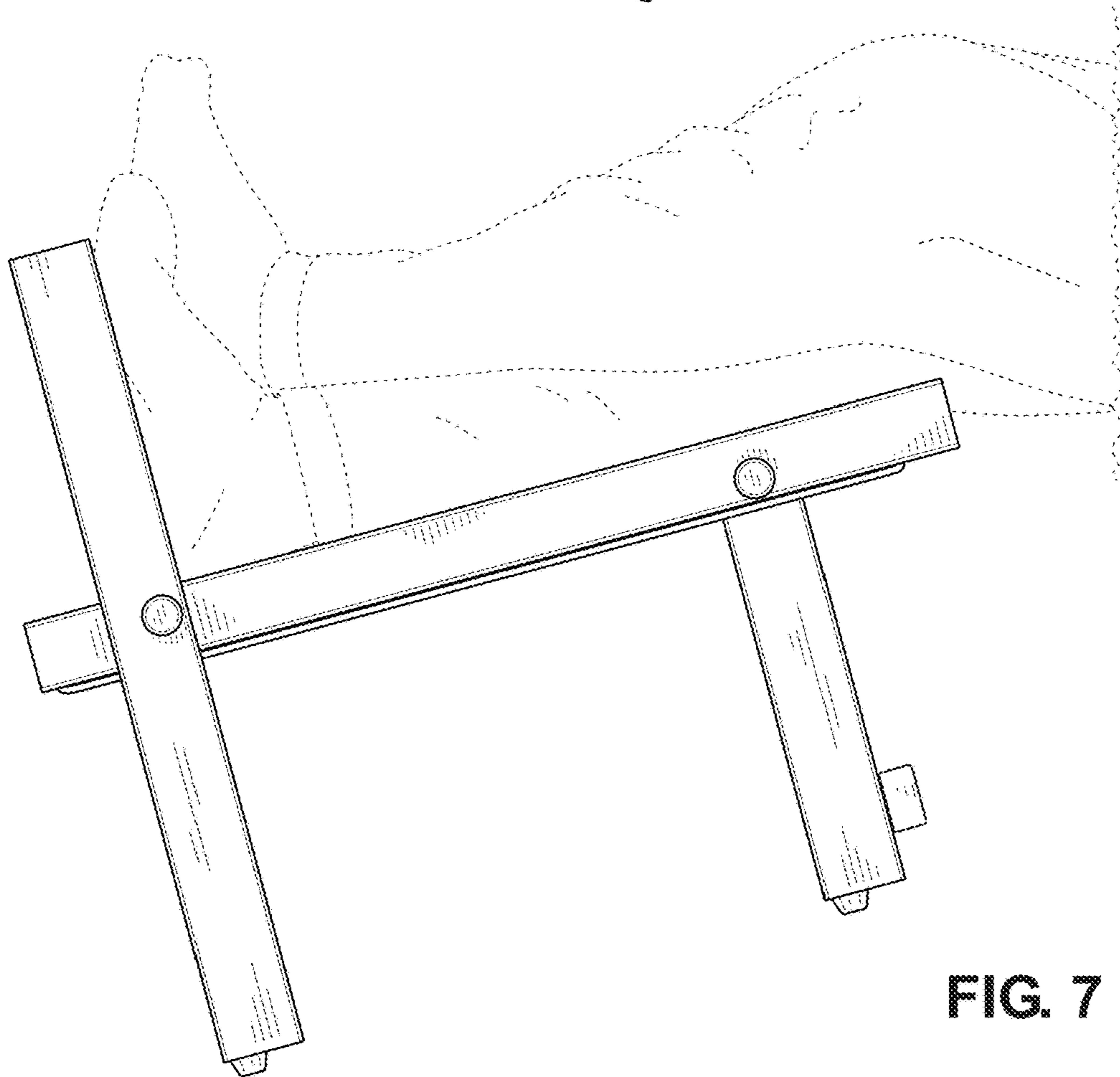


FIG. 7

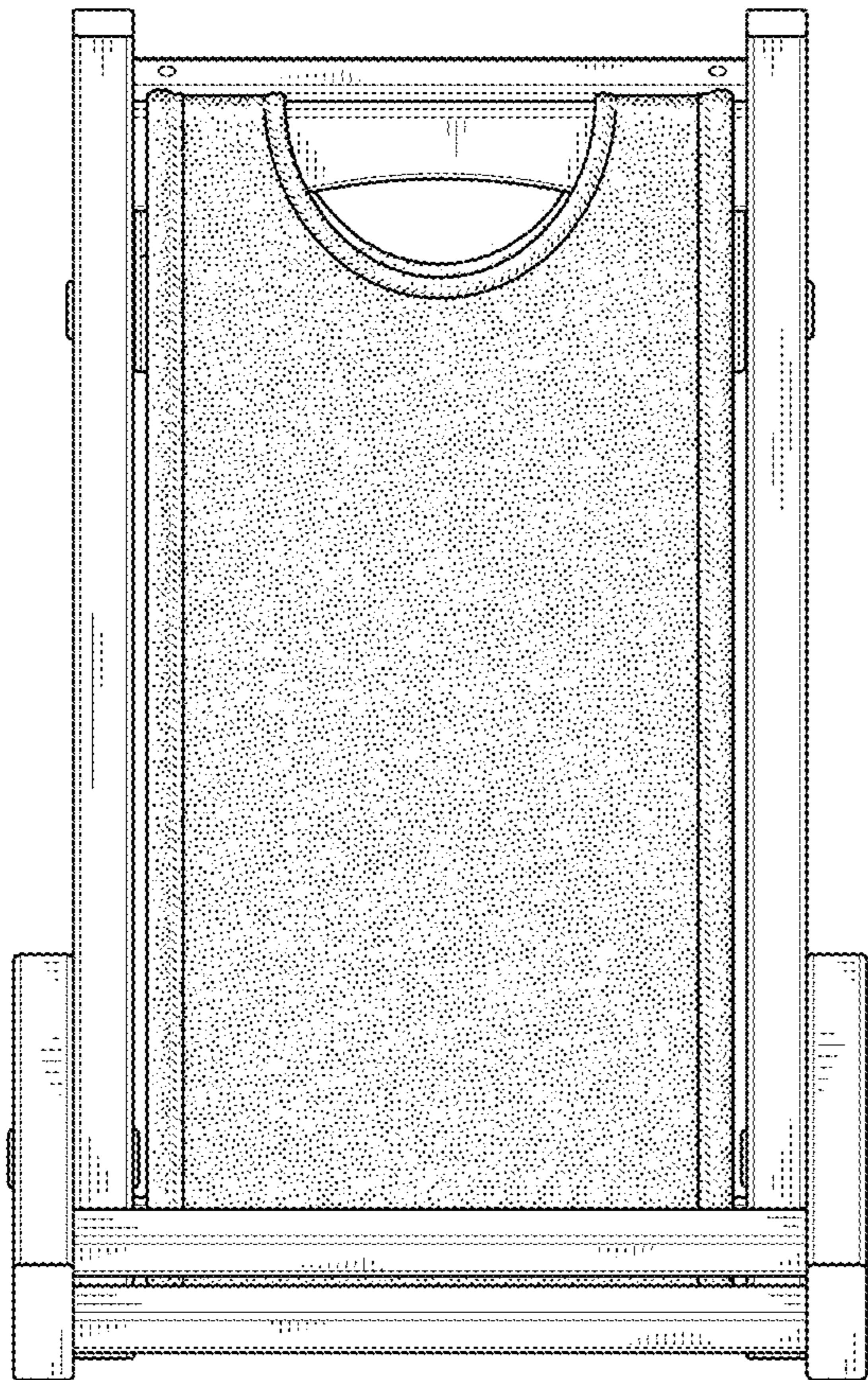


FIG. 8

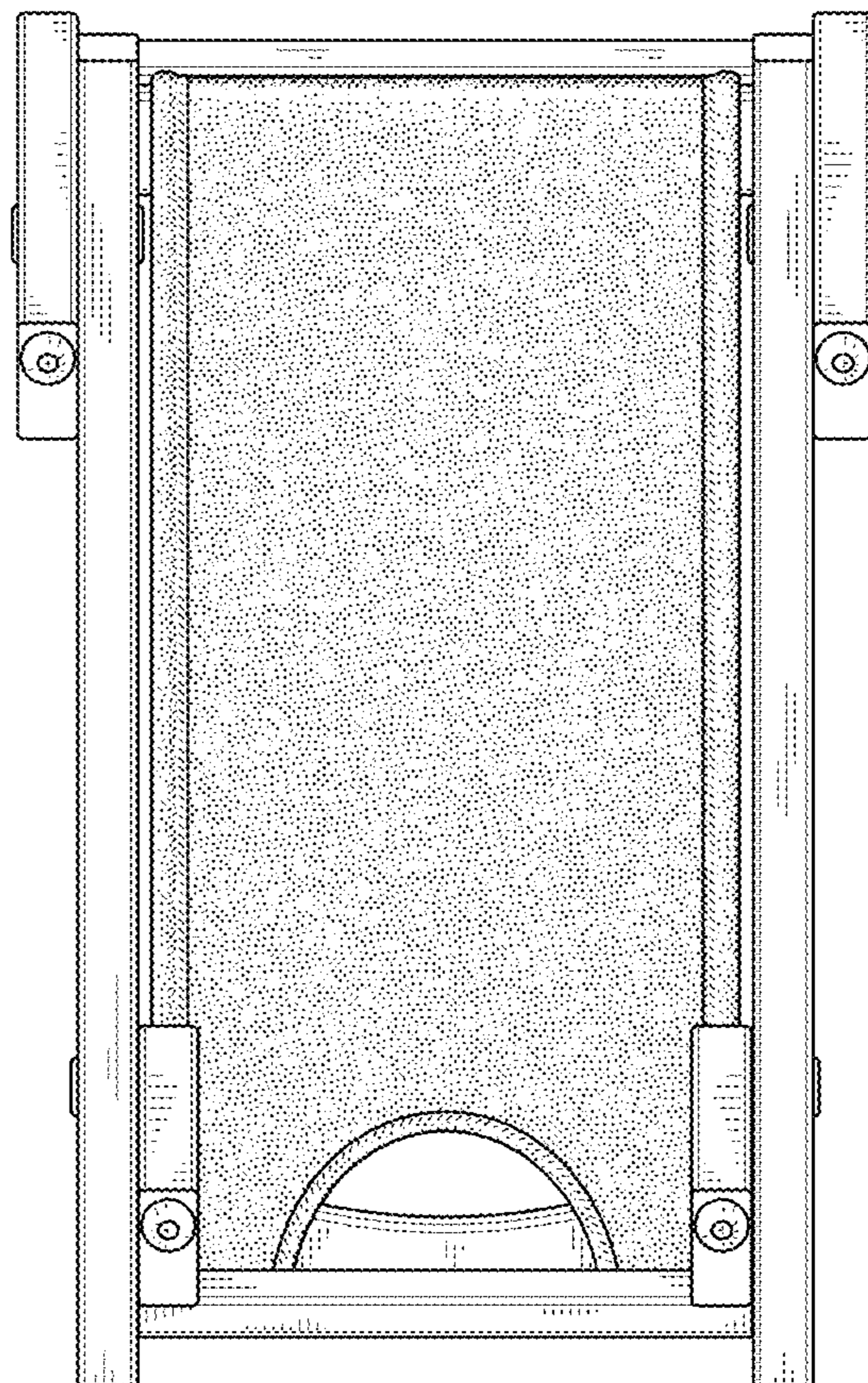


FIG. 9