



US00D833160S

(12) **United States Design Patent** (10) **Patent No.:** **US D833,160 S**
Wanders (45) **Date of Patent:** **** Nov. 13, 2018**

(54) **HIGH CHAIRS FOR BABIES** 6,089,653 A * 7/2000 Hotaling A47D 1/002
297/130
(71) Applicant: **WANDERS WONDERS B.V.**, D576,411 S * 9/2008 Wang D6/339
Amsterdam (NL) D650,598 S * 12/2011 Kennedy D6/339
D730,070 S * 5/2015 Daley D6/339
(72) Inventor: **Marcel Wanders**, Amsterdam (NL) D742,656 S * 11/2015 Ho D6/339
9,635,955 B2 * 5/2017 Greger A47D 1/004
(73) Assignee: **WANDERS WONDERS B.V.**, 2016/0174727 A1 * 6/2016 Haut A47D 11/002
Amsterdam (NL) 297/130

(**) Term: **15 Years**

(21) Appl. No.: **35/501,559**

(22) Filed: **Mar. 16, 2016**

(80) **Hague Agreement Data**

Int. Filing Date: **Mar. 16, 2016**
Int. Reg. No.: **DM/090302**
Int. Reg. Date: **Mar. 16, 2016**
Int. Reg. Pub. Date: **Sep. 16, 2016**

(51) **LOC (11) Cl.** **06-01**

(52) **U.S. Cl.**
USPC **D6/339**

(58) **Field of Classification Search**
USPC D6/333, 334, 339, 374, 375
CPC A47C 1/00; A47C 3/00; A47C 3/02; A47C
3/029; A47C 7/00; A47C 7/0002; A47D
1/08; A47D 15/006; A47D 1/00; A47D
1/008; A47D 1/0081; A47D 1/0085;
A47D 1/023

See application file for complete search history.

(56) **References Cited**

U.S. PATENT DOCUMENTS

D119,177 S * 2/1940 Carlson D6/339
3,511,531 A * 5/1970 Benoit A47D 1/008
297/153

* cited by examiner

Primary Examiner — Mary Ann Calabrese

(74) *Attorney, Agent, or Firm* — Boyle Fredrickson, S.C.

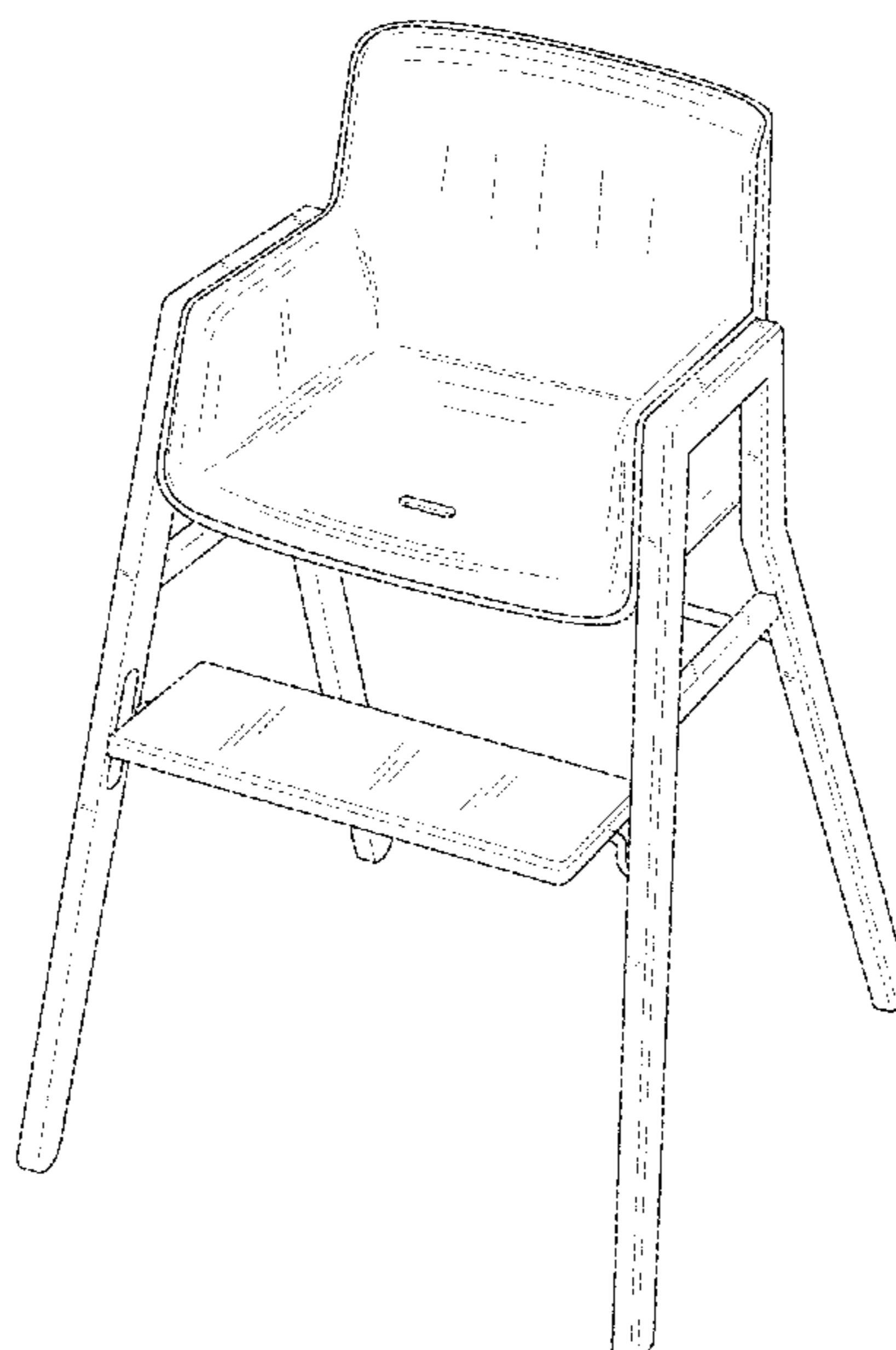
(57) **CLAIM**

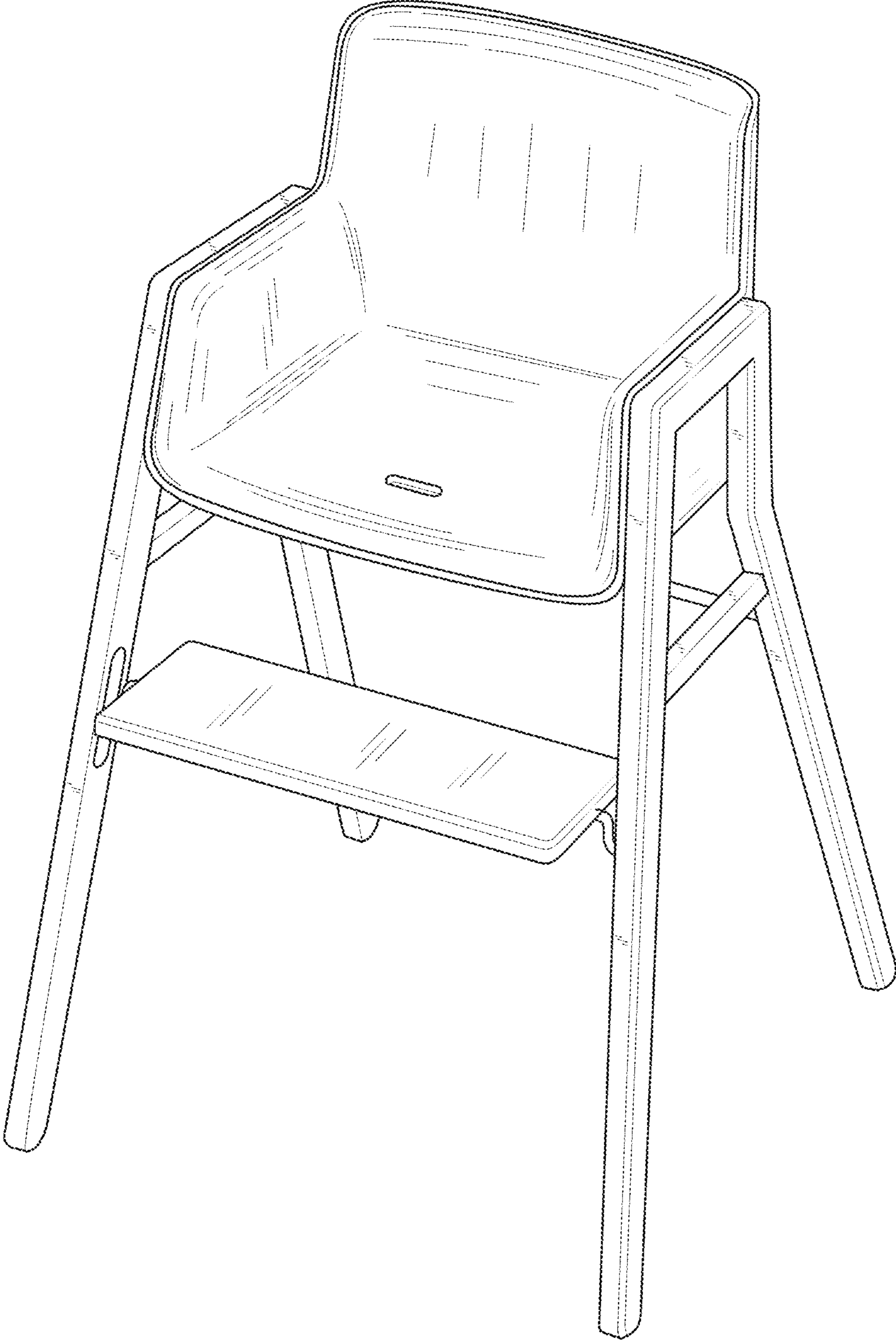
The ornamental design for a high chair for babies, as shown and described.

DESCRIPTION

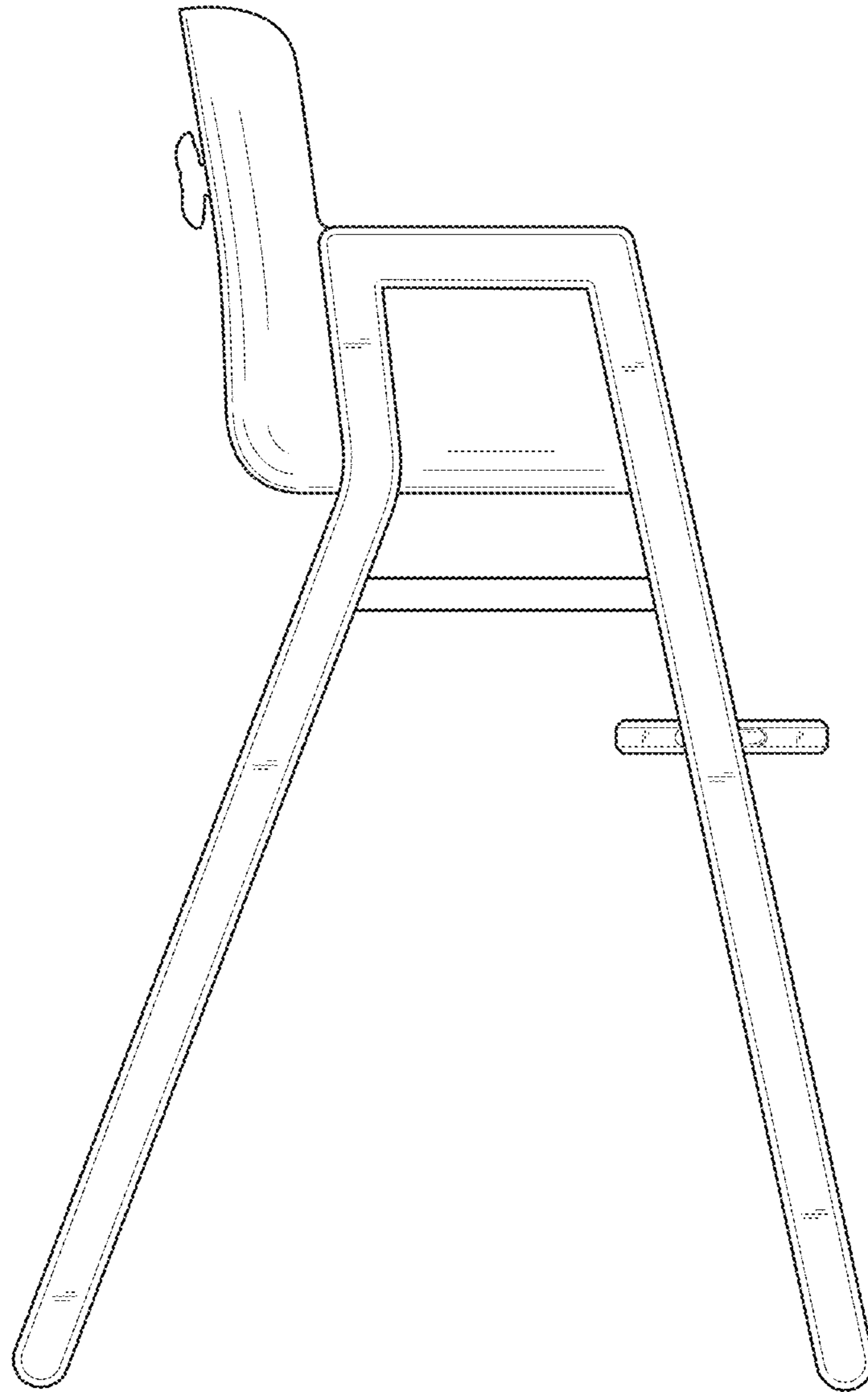
1.-2. High chairs for babies
1.1 is a perspective view of a high chair in accordance with the present invention;
1.2 is a side elevational view of a first side of the high chair of FIG. **1.1**;
1.3 is a front elevational view of the high chair of FIG. **1.1**;
1.4 is a rear elevational view of the high chair of FIG. **1.1**;
1.5 is a top view of the high chair of FIG. **1.1**;
1.6 is a side elevational view of a second side of the high chair of FIGS. **1.1**; and
1.7 is a bottom view of the high chair of FIG. **1.1**.
The broken lines and the area within the broken lines in the drawings depict portions of the high chair for babies that form no part of the claim.

1 Claim, 7 Drawing Sheets

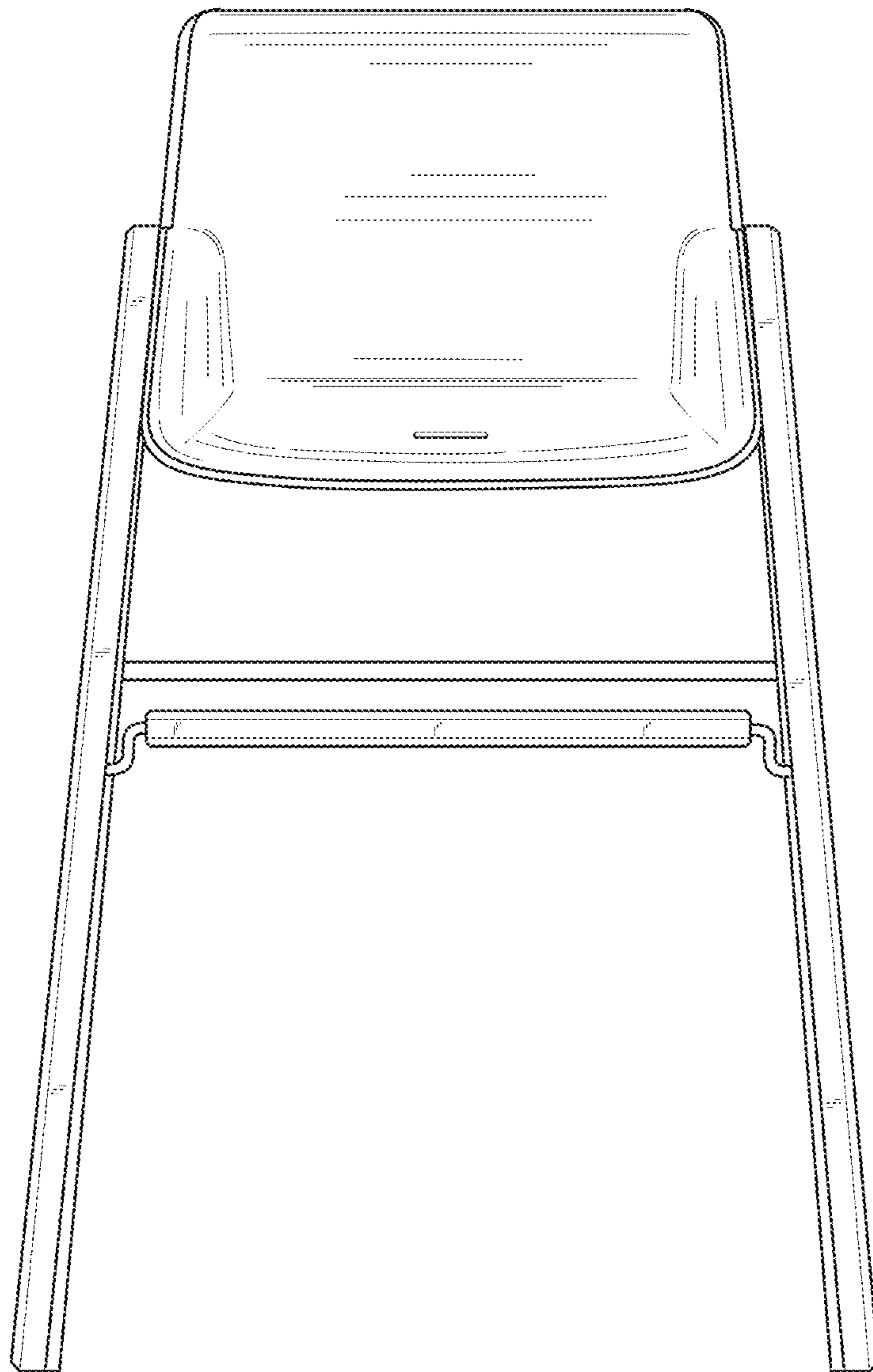




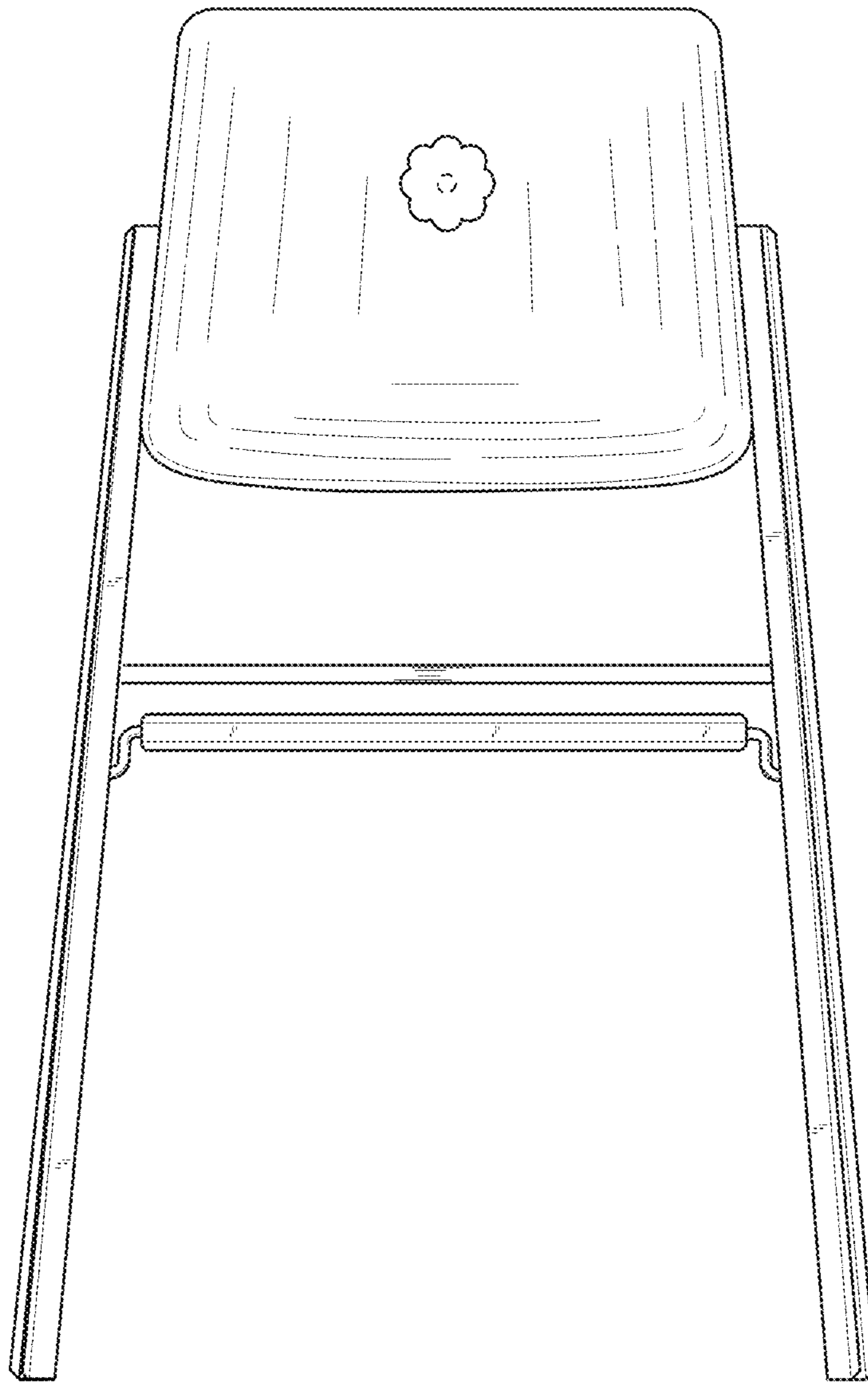
1.1



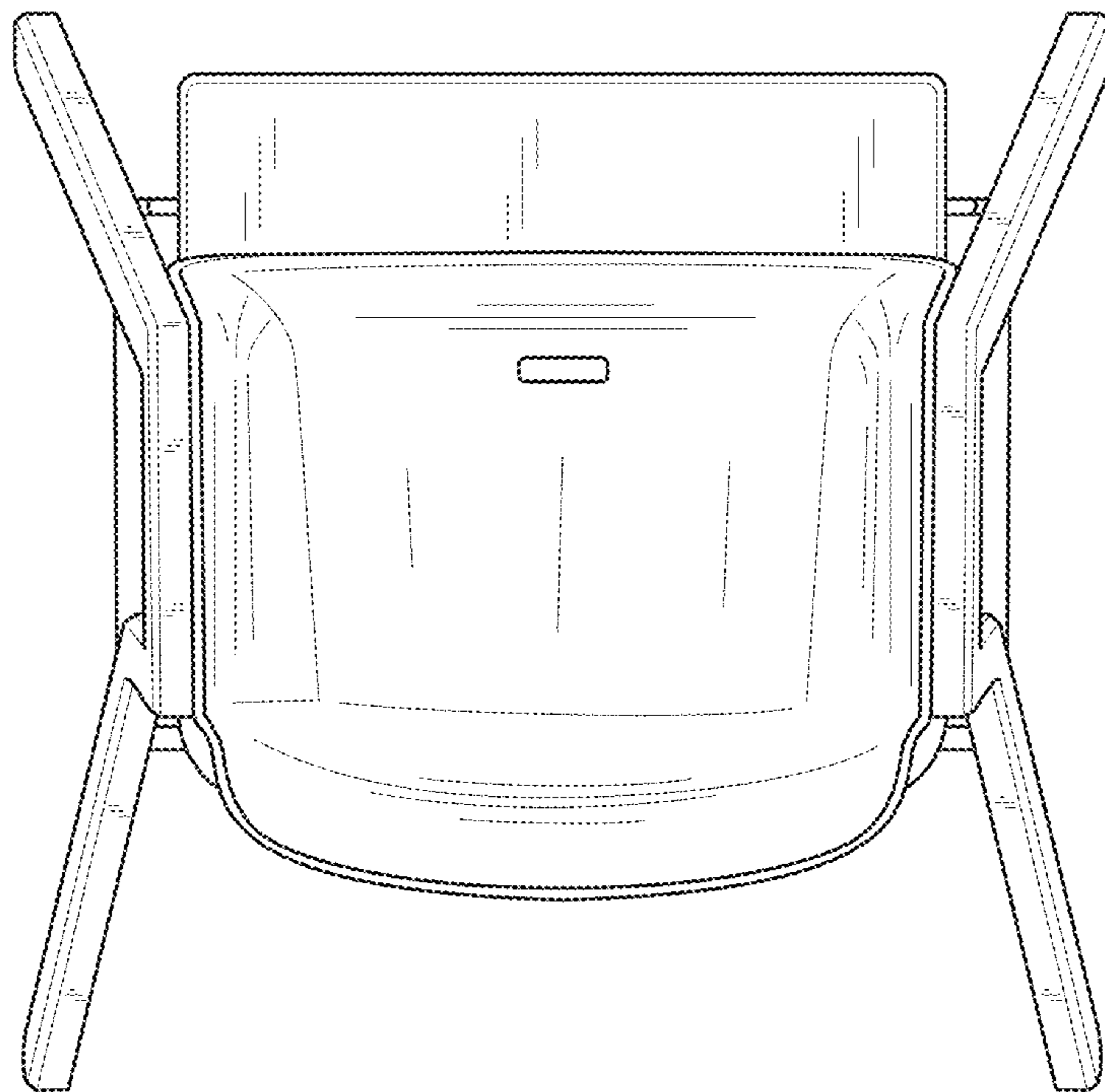
1.2



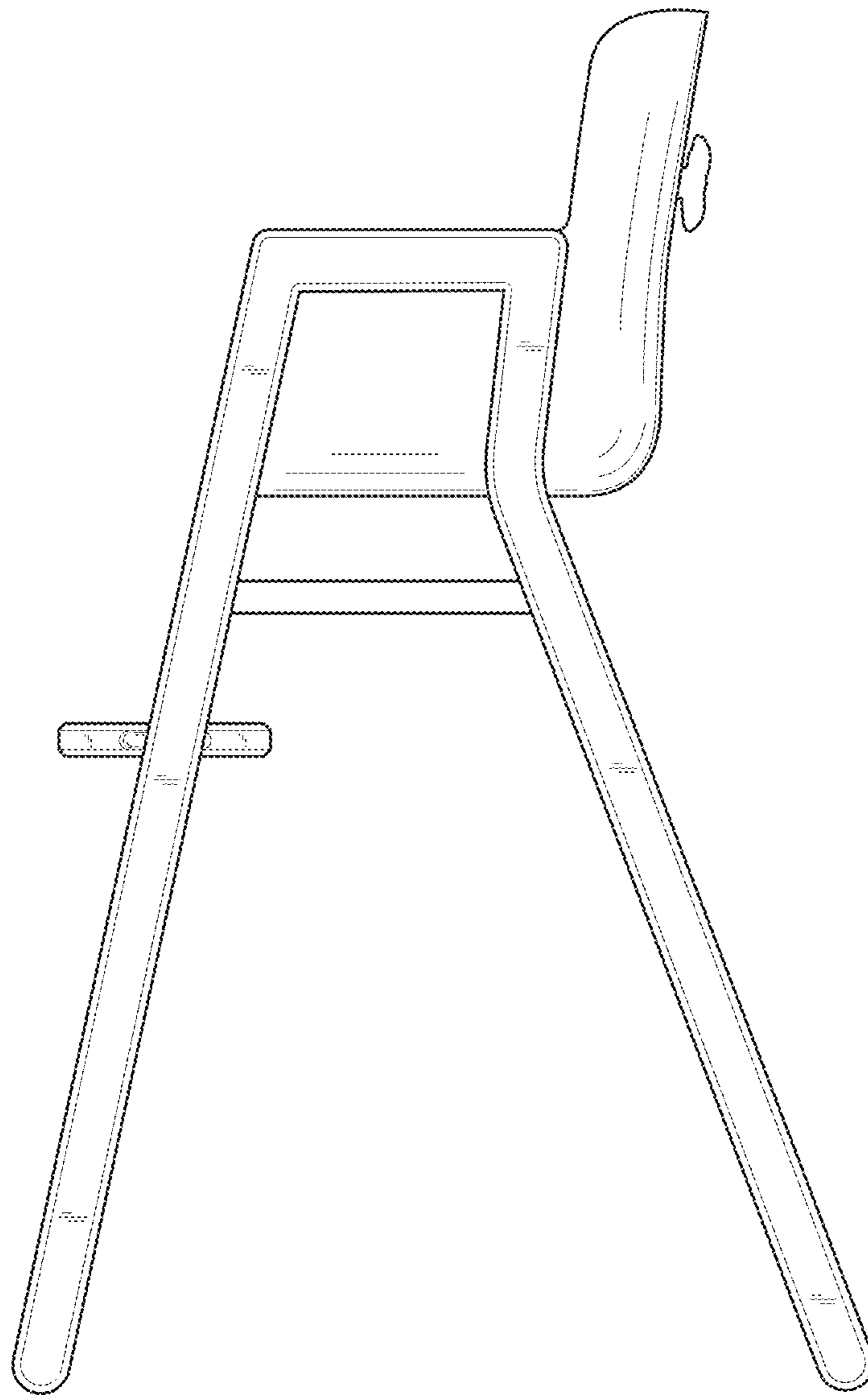
1.3



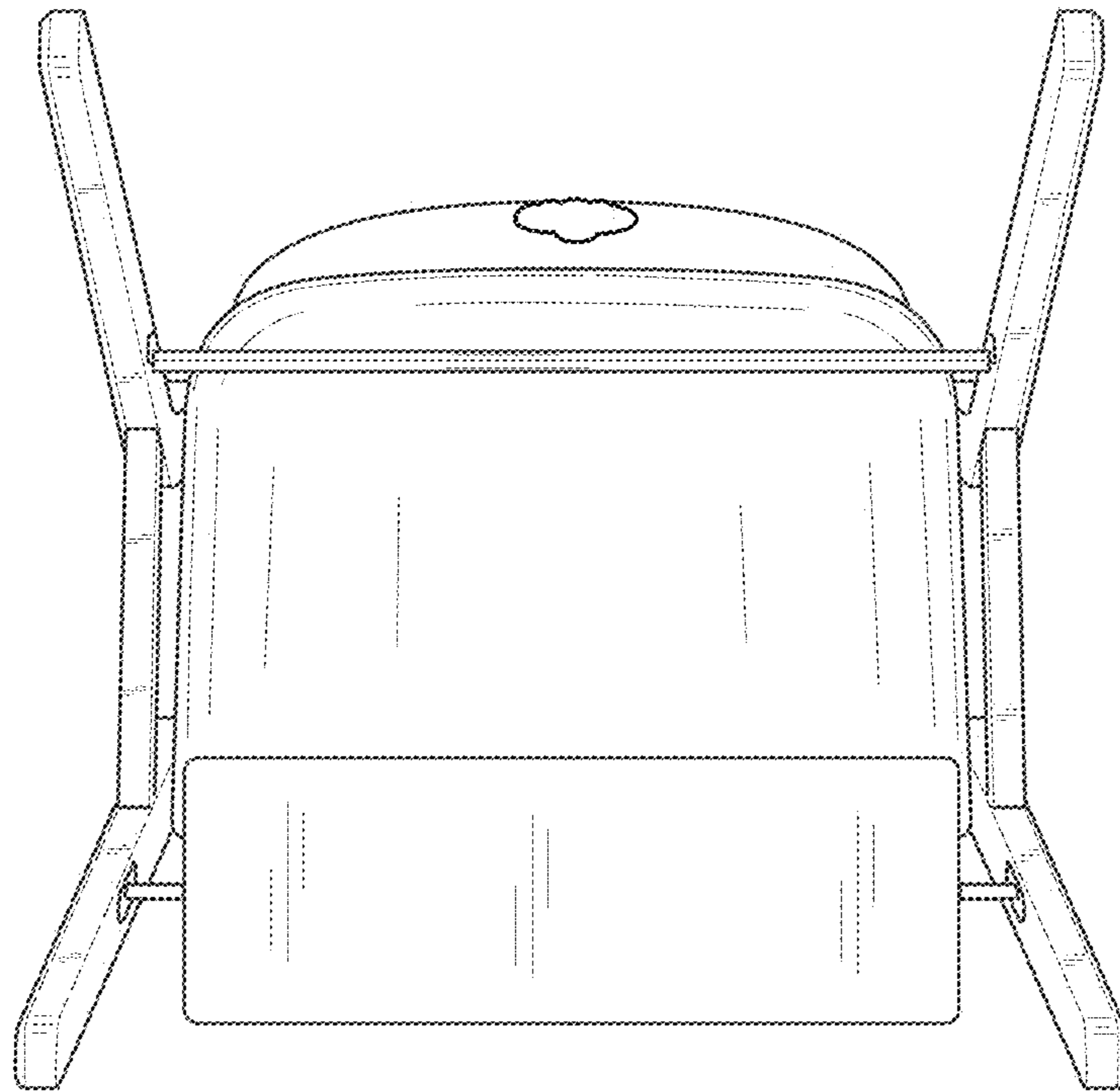
1.4



1.5



1.6



1.7