



US00D833155S

(12) **United States Design Patent**
Lien

(10) **Patent No.:** **US D833,155 S**

(45) **Date of Patent:** **** Nov. 13, 2018**

(54) **BRUSH**

(71) Applicant: **Black & Decker Inc.**, New Britain, CT (US)

(72) Inventor: **Liu Chao Lien**, Taichung (TW)

(73) Assignee: **BLACK & DECKER INC.**, New Britain, CT (US)

(**) Term: **15 Years**

(21) Appl. No.: **29/627,387**

(22) Filed: **Nov. 27, 2017**

(51) **LOC (11) Cl.** **04-02**

(52) **U.S. Cl.**
USPC **D4/128**

(58) **Field of Classification Search**
USPC D4/128, 129, 131, 136, 138, 108, 109,
D4/119; D32/35, 51; 15/104.5, 104.16,
15/104.2, 104.31, 104.32, 164, 165, 206;
D28/65; D7/682; 452/298, 458
CPC A46B 7/026; A46B 5/005; A46B 17/04;
A46B 2200/1046
See application file for complete search history.

(56) **References Cited**

U.S. PATENT DOCUMENTS

D489,903 S * 5/2004 Dunn D4/128
7,017,222 B2 * 3/2006 Dunn A46B 5/0095
15/106

D524,549 S * 7/2006 Ajluni D4/128
D581,676 S * 12/2008 Libman D4/128
D624,755 S * 10/2010 Luis D4/111
D647,703 S * 11/2011 Li D4/128
D693,128 S * 11/2013 Williams D4/128
D694,018 S * 11/2013 Williams D4/128
D740,569 S * 10/2015 Donald D4/128
D801,700 S * 11/2017 Kauss D4/128
D808,660 S * 1/2018 Kresge D4/128
D817,004 S * 5/2018 Appelbaum D4/114
D821,756 S * 7/2018 Adams D4/128

* cited by examiner

Primary Examiner — Austin Murphy

(74) *Attorney, Agent, or Firm* — Adan Ayala

(57) **CLAIM**

The ornamental design for a brush, as shown and described.

DESCRIPTION

FIG. 1 is a front perspective view of a brush according to the invention.

FIG. 2 is a front view of the brush of FIG. 1.

FIG. 3 is a rear view of the brush of FIG. 1.

FIG. 4 is a left side view of the brush of FIG. 1.

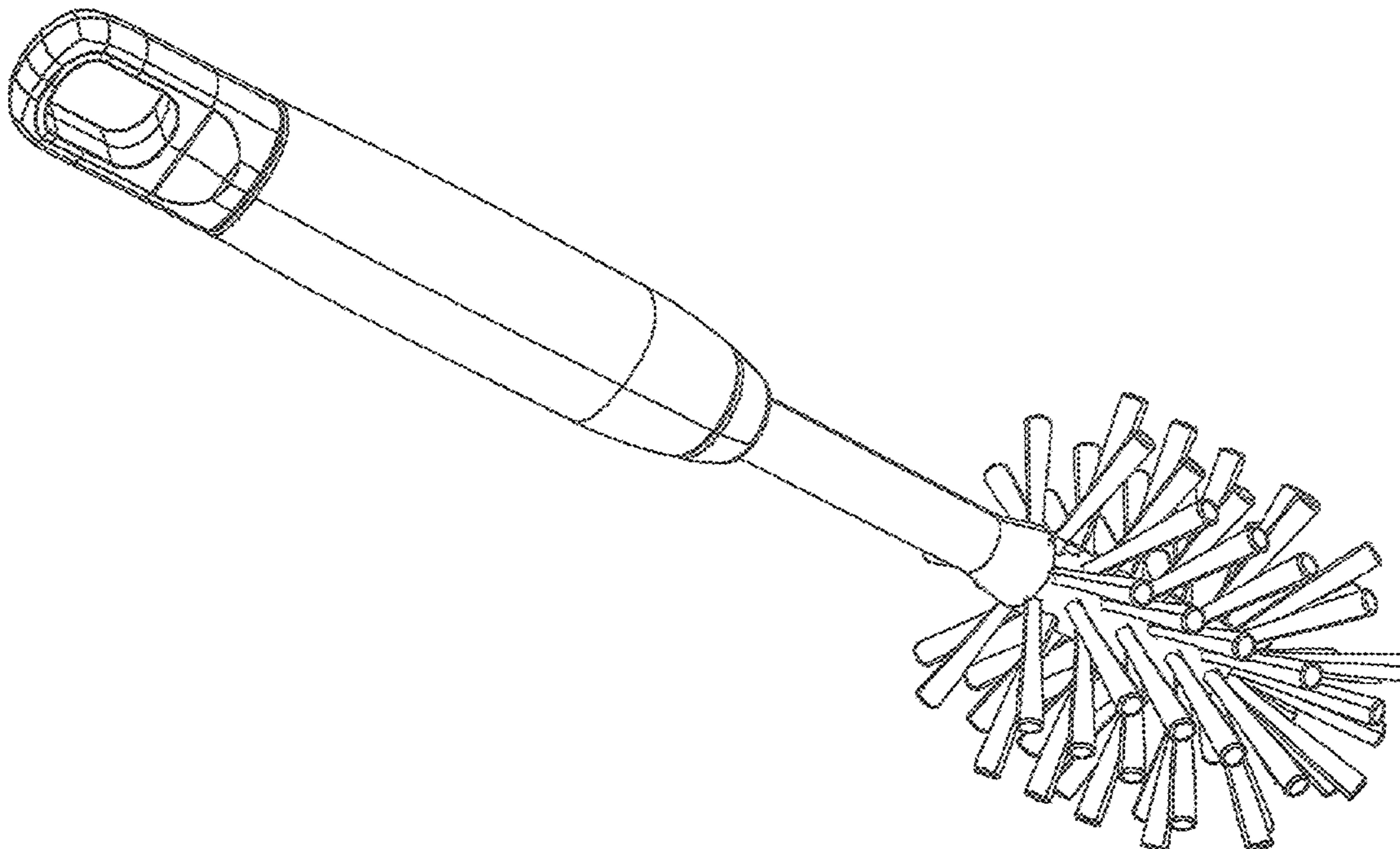
FIG. 5 is a right side view of the brush of FIG. 1.

FIG. 6 is a top plan view of the brush of FIG. 1.

FIG. 7 is a bottom plan view of the brush of FIG. 1; and,

FIG. 8 is a rear perspective view of the brush of FIG. 1.

1 Claim, 8 Drawing Sheets



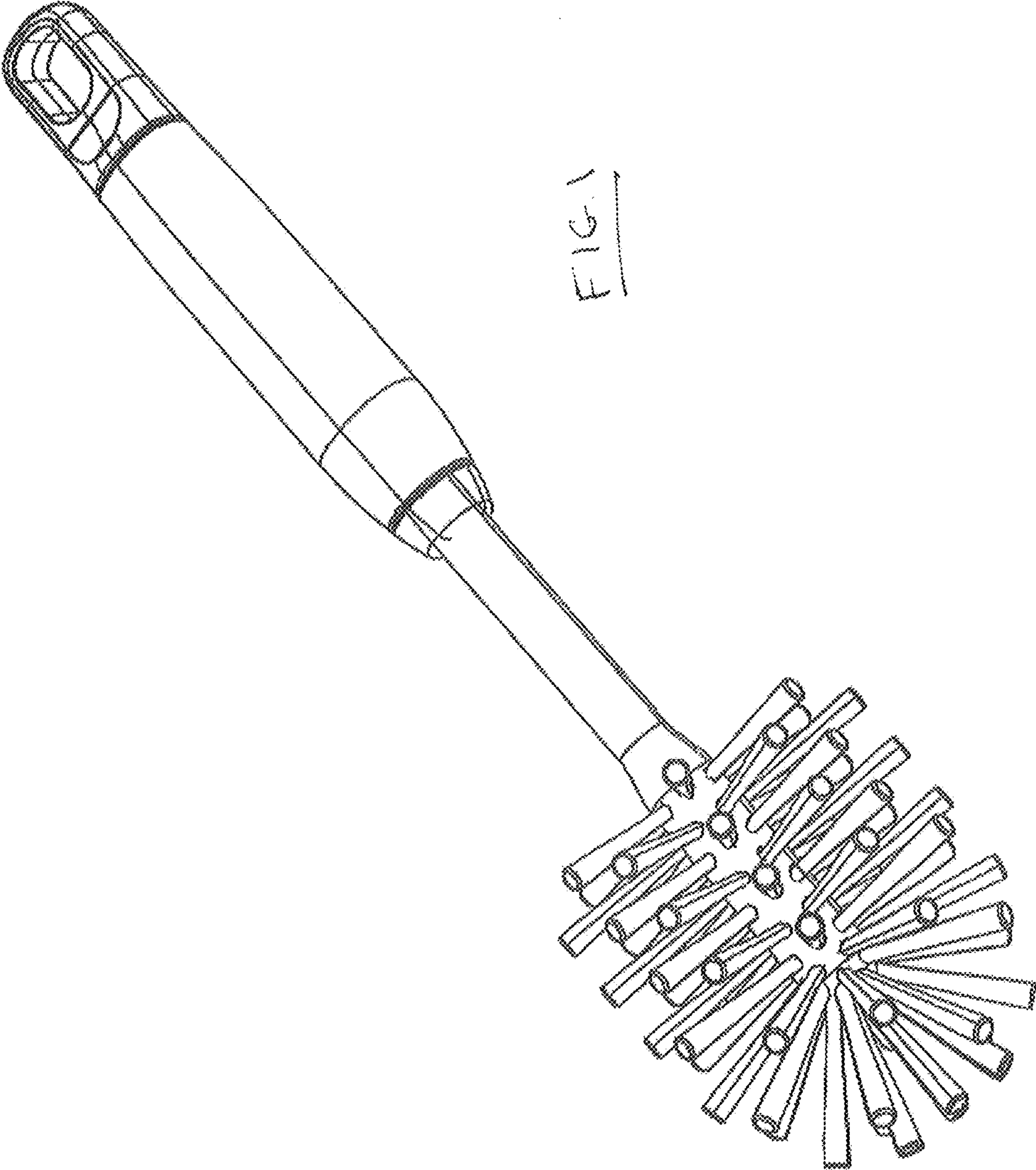


FIG. 1

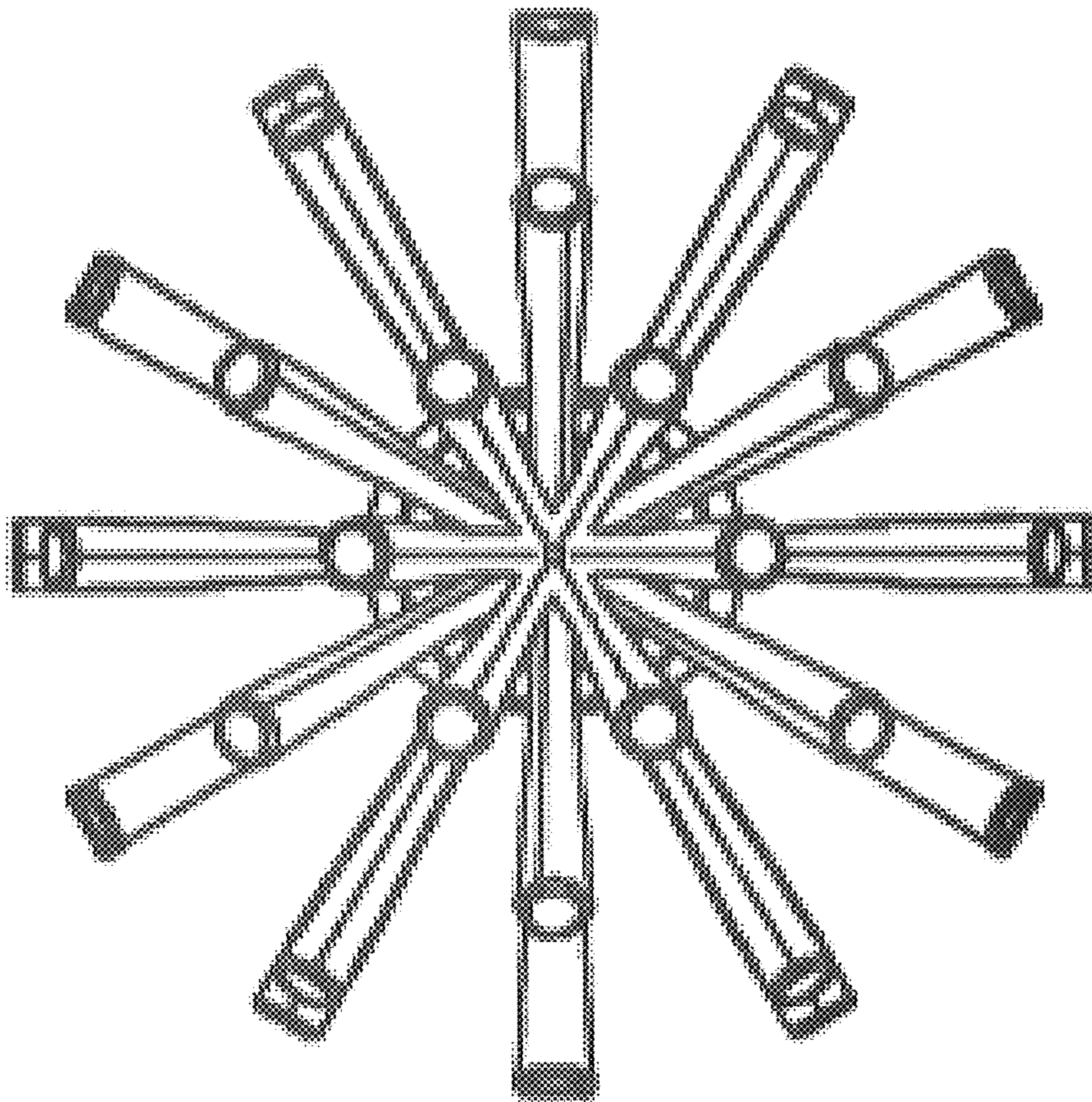


FIG. 2

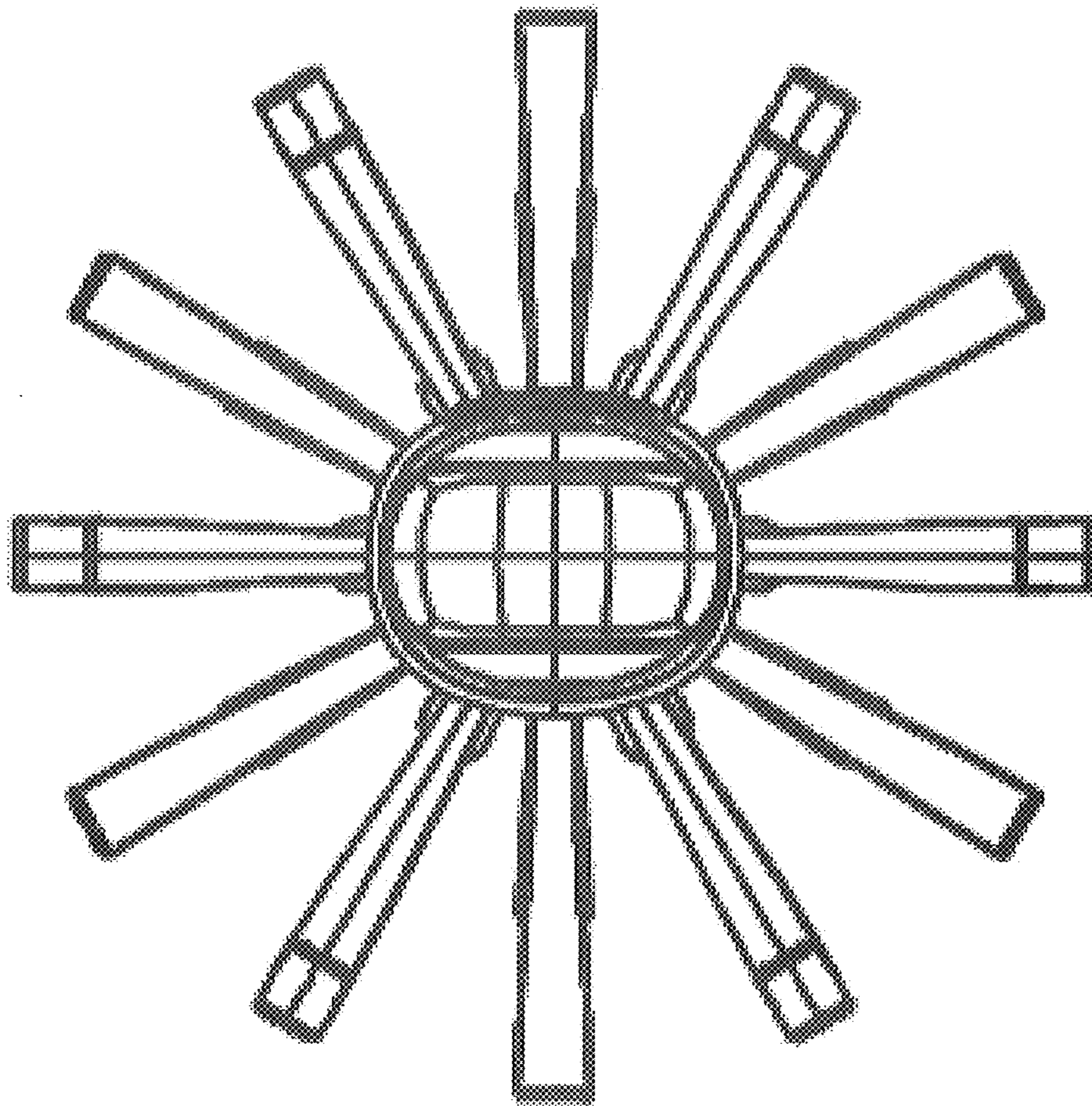


FIG. 3

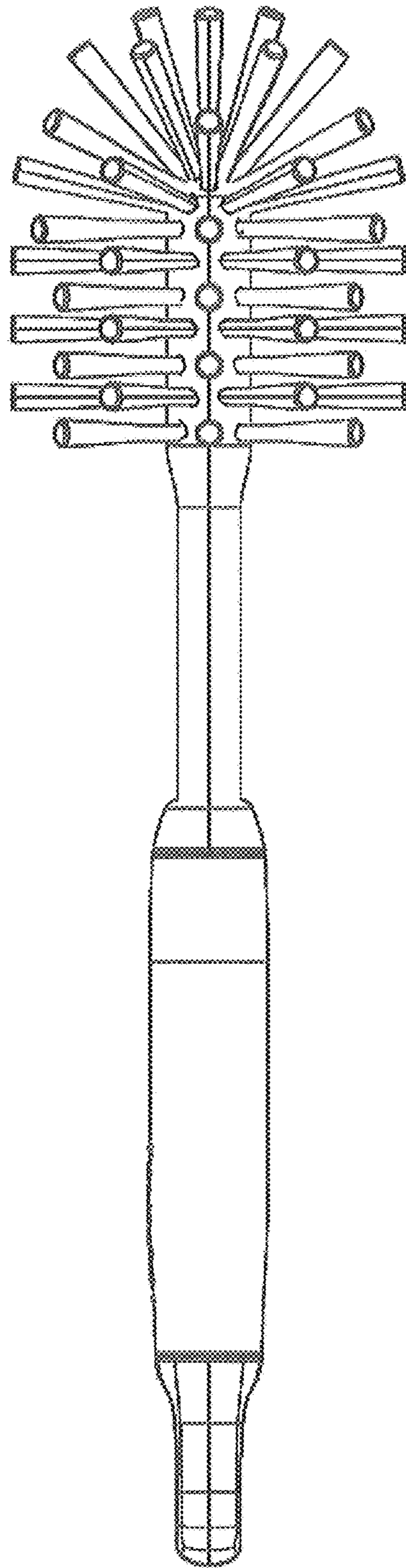


FIG. 4

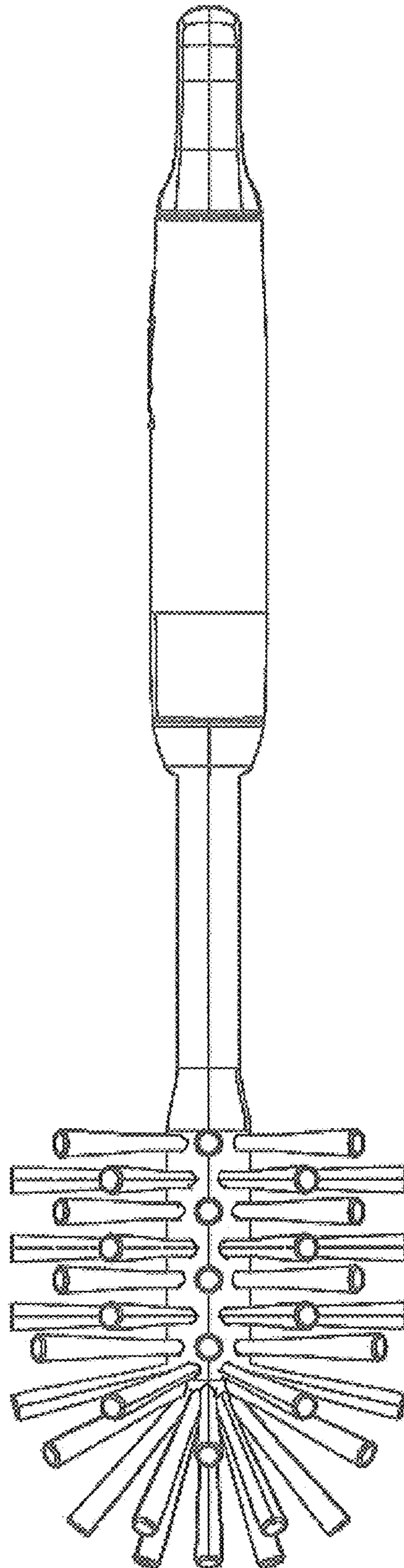


FIG. 5

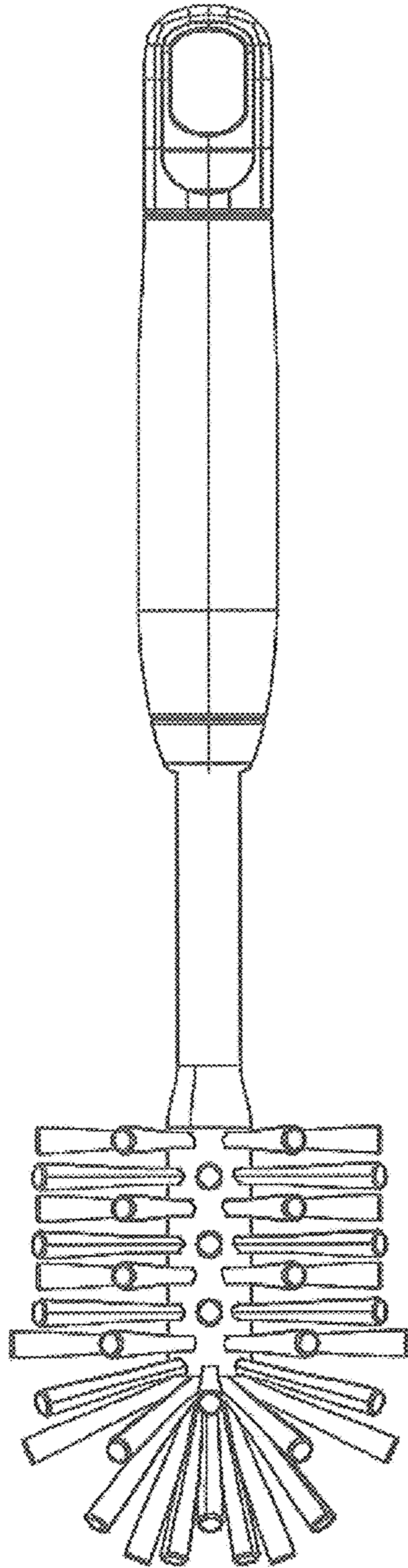


FIG. 6

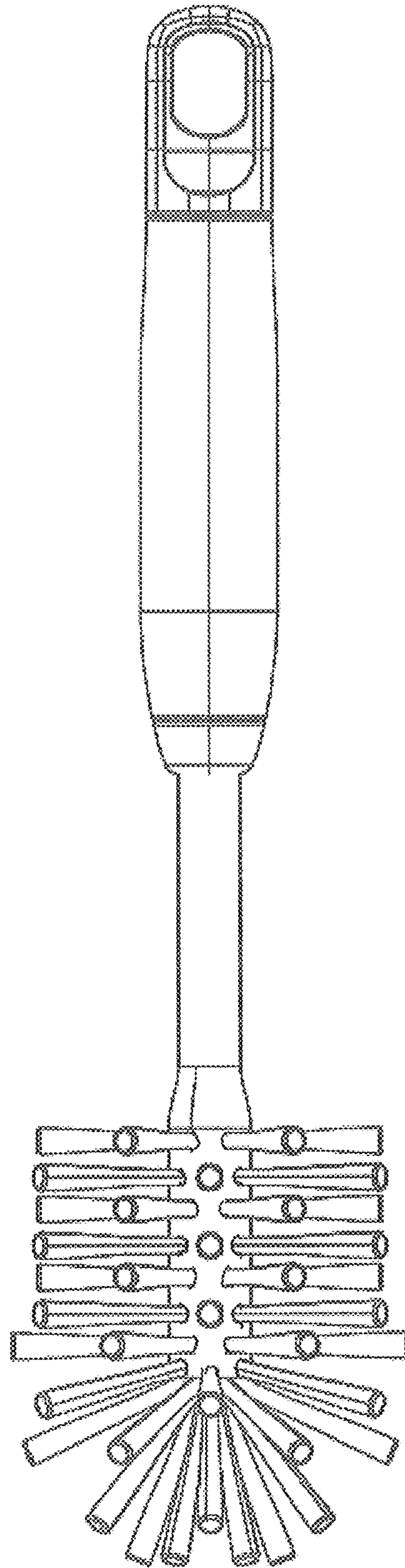


FIG. 7

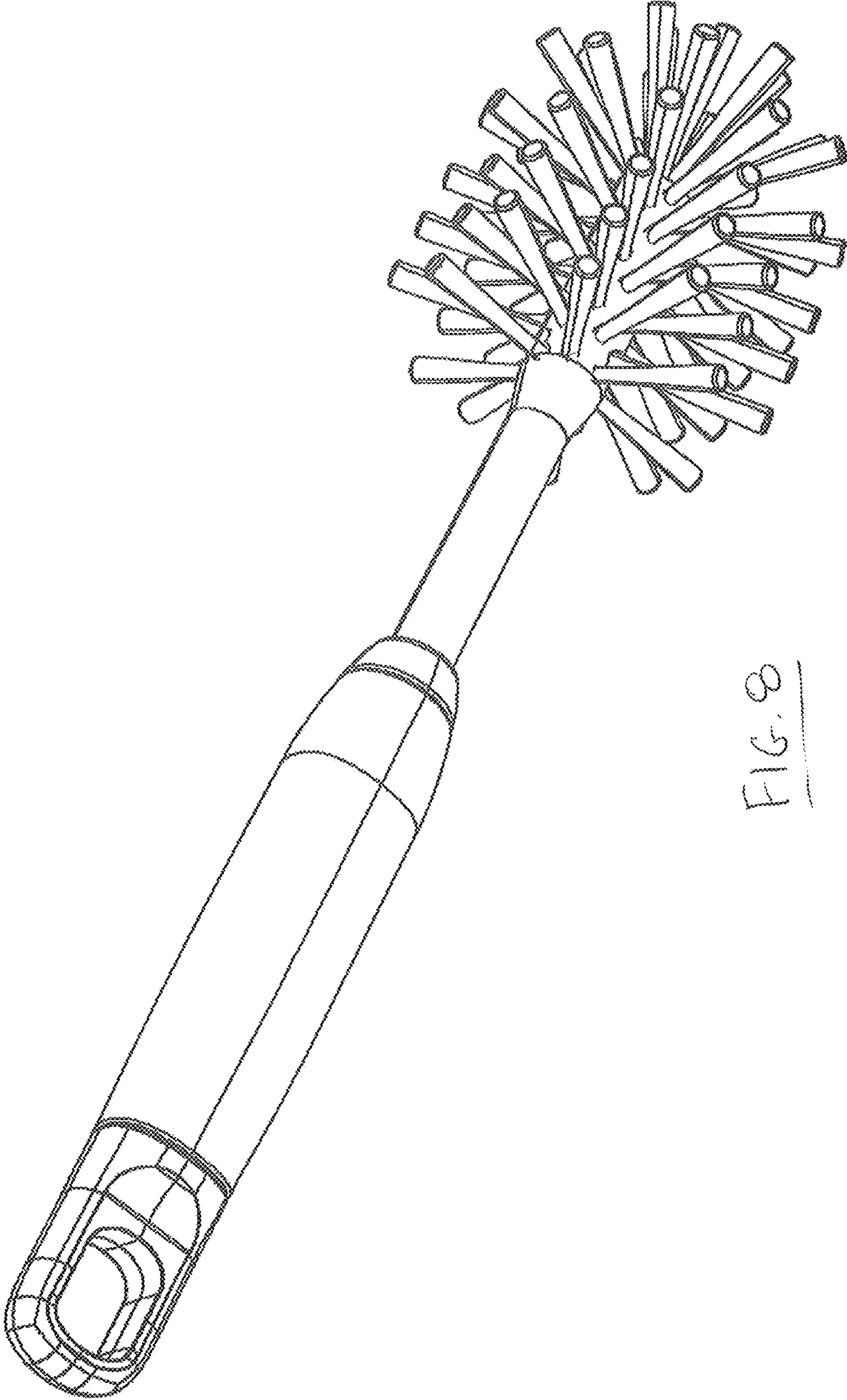


FIG. 8