



US00D833154S

(12) **United States Design Patent** (10) **Patent No.:** **US D833,154 S**
Zemel et al. (45) **Date of Patent:** **** Nov. 13, 2018**

(54) **GRILL BRUSH**

FOREIGN PATENT DOCUMENTS

(71) Applicant: **Mr. Bar-B-Q Products LLC**, Melville, NY (US)

JP 10113229 5/1998

(72) Inventors: **Marc Zemel**, Melville, NY (US);
Adam Schillen, Dix Hills, NY (US)

OTHER PUBLICATIONS

(73) Assignee: **MR. BAR-B-Q PRODUCTS LLC**, Melville, NY (US)

Brushtech Double Helix Bristle Free BBQ Brush, [on-line]; [date first available on the Internet at Amazon.com Apr. 15, 2014]; [retrieved from the Internet on Jul. 26, 2017]; URL: <https://www.amazon.com/Brushtech-Double-Helix-Bristle-21-Inch/dp/B00JPIHNOE?th=1>. (2 pages).

(**) Term: **15 Years**

(Continued)

(21) Appl. No.: **29/606,443**

Primary Examiner — Keli L Hill

(22) Filed: **Jun. 5, 2017**

Assistant Examiner — Karra S Johnson

(51) **LOC (11) Cl.** **04-01**

(74) *Attorney, Agent, or Firm* — Carter, DeLuca, Farrell & Schmidt, LLP

(52) **U.S. Cl.**

USPC **D4/119**; D4/118

(58) **Field of Classification Search**

USPC D4/116, 118, 131, 132; D32/40, 42, 46, D32/49; D8/300

CPC A45D 24/14; A45D 24/16; A46B 3/005; A46B 5/00; A46B 5/02; A46B 5/021; A46B 9/02; A46B 9/021; A46B 9/023; A46B 13/001; A46B 13/008; A46B 15/0055; A46B 15/0081; A46B 15/0087; A46B 17/02; A46B 2200/30; A46B 2200/104; A46B 2200/106; A46B 2200/202; A46B 2200/205; A46B 2200/207; A46B 2200/304; A46B 2200/1006; A46B 2200/1046; A46B 2200/1053; A46B 2200/3006; A46B 2200/3033; A46B 2200/3093; E01H 1/12; E01H 1/105

See application file for complete search history.

(57) **CLAIM**

The ornamental design for a grill brush, as shown and described.

DESCRIPTION

FIG. 1 is a perspective view of a grill brush in accordance with the present design;
FIG. 2 is a left side elevational view thereof,
FIG. 3 is a right side elevational view thereof;
FIG. 4 is a front elevational view thereof;
FIG. 5 is an enlarged front elevational view of FIG. 4 thereof;
FIG. 6 is a rear elevational view thereof;
FIG. 7 is a top plan view thereof; and,
FIG. 8 is a bottom plan view thereof.

The unclaimed rod feature and the claimed coil features are shown with symbolic breaks in their length in the FIGS. 1-8 drawing views. It is understood that patentability is based only on those portions of the article that are shown in solid lines, and the appearance of any portion of the article between the break lines forms no part of the claimed design.

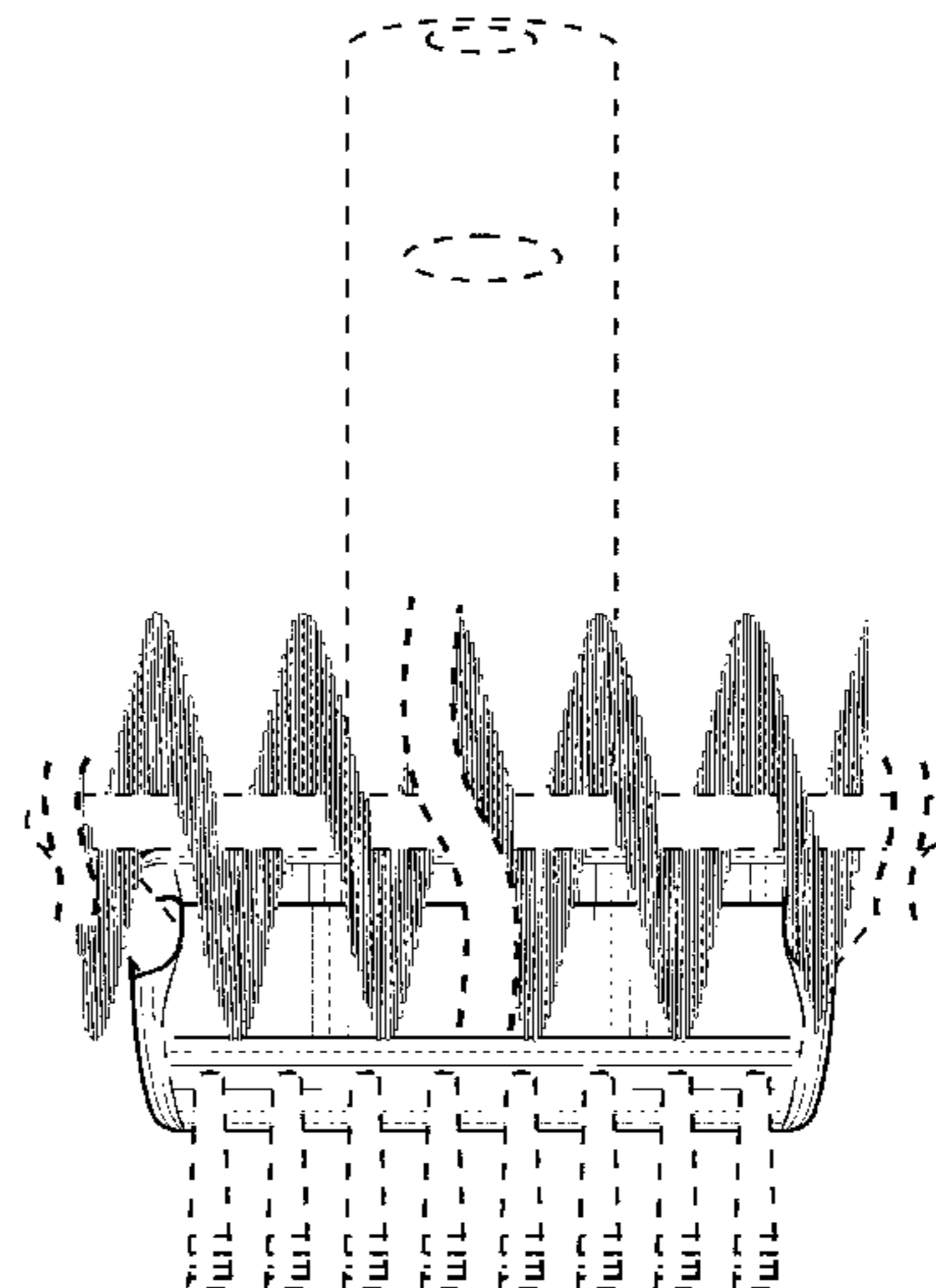
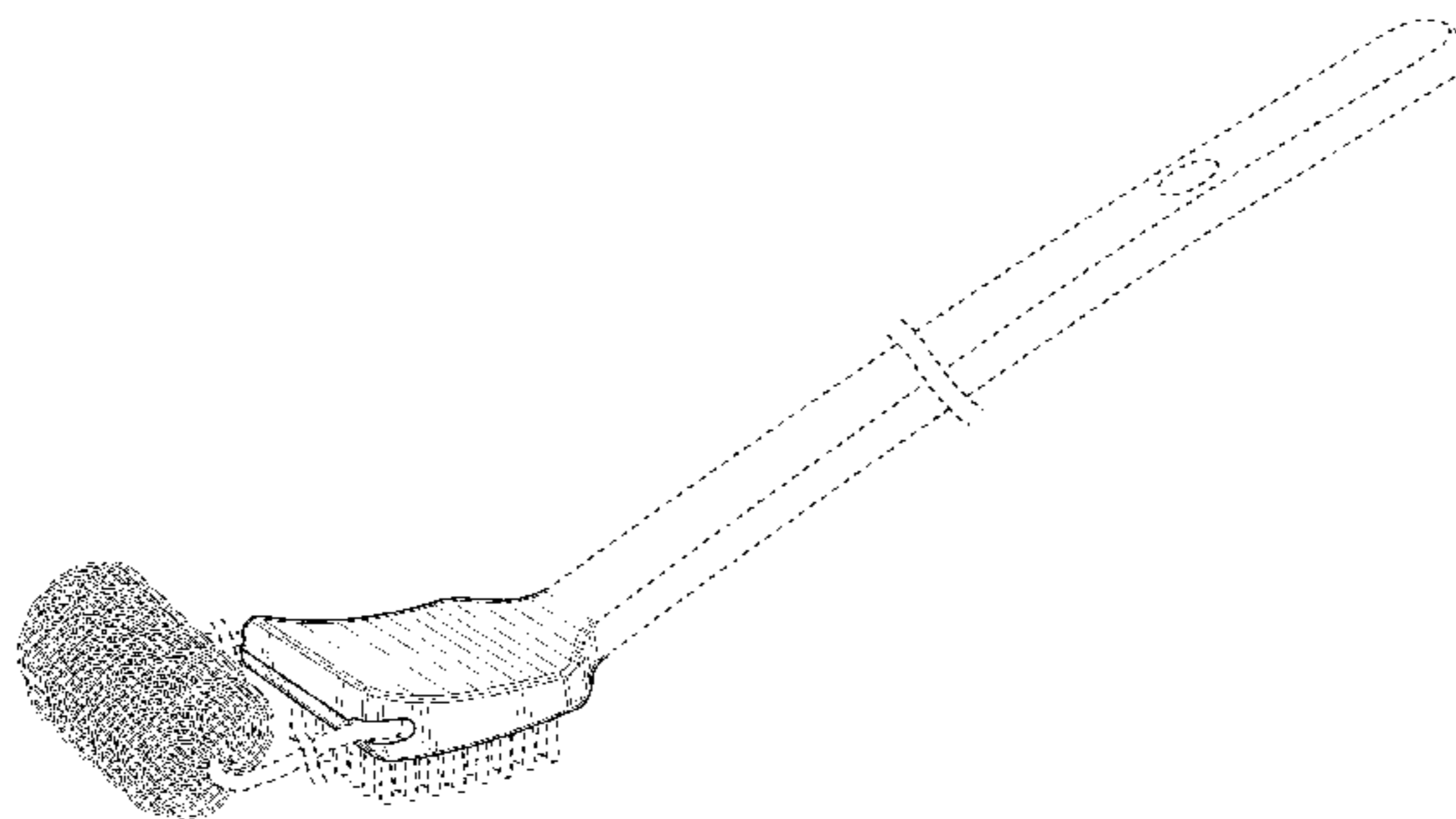
(56) **References Cited**

U.S. PATENT DOCUMENTS

201,688 A 3/1878 Leiner
1,501,547 A 7/1924 Bassett
1,587,024 A 6/1926 Murphy

(Continued)

1 Claim, 4 Drawing Sheets



(56)

References Cited

U.S. PATENT DOCUMENTS

1,635,970 A	7/1927	Cave	
D104,029 S	4/1937	Gray	
2,116,864 A	5/1938	Fehrenbach	
2,167,196 A	7/1939	Bothum	
2,186,832 A	1/1940	Hertzberg	
D138,896 S	9/1944	Edmonds	
D146,729 S	4/1947	Storm	
D160,736 S	10/1950	Racicot	
2,577,373 A *	12/1951	Smith	A01G 9/12 47/47
D176,304 S *	12/1955	Bennett	D28/63
2,891,360 A	6/1959	Duffle	
D189,235 S	11/1960	Racina	
3,629,895 A	12/1971	Colgan	
D223,314 S	4/1972	Goldfeder	
D234,789 S *	4/1975	Rosenberg	446/397
D236,071 S	7/1975	Zemke	
4,056,863 A	11/1977	Gunjian	
D247,075 S	1/1978	Krusche	
4,091,579 A	5/1978	Giangiulio	
4,146,943 A	4/1979	Wertheimer et al.	
4,167,796 A	9/1979	De Pamphilis	
4,730,949 A	3/1988	Wilson	
4,819,291 A	4/1989	Gunjian	
D344,634 S	3/1994	Berti	
D345,653 S	4/1994	Joyner et al.	
D346,698 S	5/1994	Hinnant	
D349,193 S	8/1994	Sloan et al.	
D355,529 S	2/1995	Tsai	
D358,491 S	5/1995	Hoagland	
D360,763 S	8/1995	Camp, Jr. et al.	
D362,793 S	10/1995	Khan et al.	
D362,937 S	10/1995	Camp, Jr. et al.	
5,471,700 A	12/1995	Pereira	
5,479,673 A	1/1996	Carton	
D366,962 S	2/1996	Whitaker	
D369,472 S	5/1996	Laubach, III et al.	
D373,251 S	9/1996	Young	
D374,557 S	10/1996	Whitaker	
D381,483 S	7/1997	Hartman	
D392,104 S	3/1998	Berti	
D394,352 S *	5/1998	Berti	D4/132
D400,328 S	10/1998	Zemel	
D403,165 S	12/1998	Ferrante et al.	
D411,368 S	6/1999	Liu	
D417,121 S	11/1999	Brunianyn	
D417,550 S	12/1999	Lu	
6,023,810 A	2/2000	Gessert	
D422,792 S	4/2000	Liu	
6,047,432 A *	4/2000	Sode	A46B 9/02 15/160
D425,380 S *	5/2000	Gartz	D7/690
D427,025 S	6/2000	Lee	
D427,858 S	7/2000	Zemel	
D429,889 S	8/2000	Fielding	
D431,753 S	10/2000	Cohen et al.	
D431,960 S	10/2000	Hay	
D437,691 S	2/2001	Weiss	
6,216,306 B1	4/2001	Esterson et al.	
D442,026 S	5/2001	Rae	
D445,257 S	7/2001	Hay	
D445,654 S	7/2001	Yu	
D448,973 S	10/2001	Hay et al.	
D454,003 S	3/2002	Saxon	
D455,272 S	4/2002	Zemel	
D456,207 S	4/2002	Zemel	
D456,614 S	5/2002	Zemel	
D456,615 S	5/2002	Zemel	
D456,667 S	5/2002	Veltri et al.	
6,427,633 B1 *	8/2002	Ogden	A01K 13/002 119/600
6,438,784 B1	8/2002	Yu	
6,443,646 B1	9/2002	MacDonald	
D463,952 S	10/2002	Zemel	
D465,336 S	11/2002	Zemel	
D466,307 S	12/2002	Cantrell	
6,499,174 B2	12/2002	Henrie	
D468,107 S	1/2003	Shen	
D471,365 S	3/2003	Henrie	
D474,644 S	5/2003	Zemel	
D476,525 S	7/2003	Zemel	
D481,906 S	11/2003	Knor	
D482,566 S	11/2003	Zemel	
D482,569 S	11/2003	Zemel	
D487,638 S	3/2004	Libman et al.	
D491,413 S	6/2004	Rosenthal	
D492,543 S	7/2004	Munari	
D494,006 S	8/2004	Zemel	
D494,807 S	8/2004	Zemel	
D495,500 S *	9/2004	Berti	D4/138
D495,881 S *	9/2004	Berti	D4/138
D496,558 S	9/2004	Zemel	
D501,325 S *	2/2005	Berti	D4/138
D502,001 S	2/2005	Hay	
D502,323 S	3/2005	Zemel	
D503,071 S	3/2005	Lu	
D522,247 S	6/2006	Moore	
D528,857 S	9/2006	Zemel	
D529,333 S	10/2006	Zemel	
D529,335 S	10/2006	Zemel	
D530,098 S *	10/2006	Neal	D4/118
D531,853 S	11/2006	Zemel	
D532,609 S	11/2006	Zemel	
D533,397 S	12/2006	Zemel	
D534,001 S	12/2006	Zemel	
D535,147 S	1/2007	Zemel	
D535,519 S	1/2007	Zemel	
D540,543 S	4/2007	Hay	
D544,213 S	6/2007	Dow et al.	
D544,714 S	6/2007	Zemel	
D544,750 S	6/2007	Zemel	
D545,120 S	6/2007	Zemel	
D545,121 S	6/2007	Zemel	
D547,553 S	7/2007	Borovicka et al.	
D550,504 S	9/2007	Zemel	
D562,062 S	2/2008	Zemel	
D562,064 S	2/2008	Zemel	
D562,563 S	2/2008	Wales	
D563,675 S	3/2008	Zemel	
D563,677 S	3/2008	Zemel	
D564,292 S	3/2008	Zemel	
D566,460 S	4/2008	Zemel	
D569,174 S	5/2008	Zemel	
D572,011 S *	7/2008	Zemel	D4/118
D572,079 S	7/2008	Zemel	
D572,080 S	7/2008	Zemel	
D574,184 S	8/2008	Zemel	
D575,524 S *	8/2008	Libman	D4/119
D575,525 S *	8/2008	Libman	D4/118
D578,826 S	10/2008	Lu	
D579,269 S	10/2008	Zemel	
7,441,941 B2 *	10/2008	Vernon	A47J 43/10 366/130
D579,668 S	11/2008	Zemel	
D580,659 S	11/2008	Zemel	
D584,514 S	1/2009	Dale et al.	
D588,868 S	3/2009	Zemel	
D589,705 S	4/2009	Zemel	
D590,600 S	4/2009	Dow et al.	
D597,740 S	8/2009	Borovicka et al.	
D601,345 S	10/2009	Wales	
D601,346 S	10/2009	Wales	
D601,347 S	10/2009	Wales	
D601,350 S	10/2009	Wales	
D601,808 S	10/2009	Wales	
7,632,033 B2	12/2009	Wales	
D616,204 S	5/2010	Zemel	
D618,499 S	6/2010	Zemel	
D622,542 S	8/2010	Zemel	
D629,650 S	12/2010	Funka, Jr. et al.	
D631,289 S	1/2011	Tuli	
D632,088 S	2/2011	Zemel	
7,909,526 B2	3/2011	Wales	
D647,366 S *	10/2011	Enghard	D7/376

(56)

References Cited

U.S. PATENT DOCUMENTS

8,032,974 B2 10/2011 Carpenter
 D650,590 S 12/2011 Carlson et al.
 D652,629 S 1/2012 Zemel
 D653,036 S 1/2012 Fifer
 D654,272 S 2/2012 Zemel
 D655,093 S 3/2012 Raven
 D655,511 S 3/2012 Zemel
 8,146,284 B2 4/2012 Smith
 D658,433 S 5/2012 Zemel
 D658,894 S 5/2012 Zemel
 D658,937 S 5/2012 Zemel
 D660,141 S 5/2012 Zemel
 D661,906 S 6/2012 Zemel
 D663,125 S 7/2012 Zemel
 D663,159 S 7/2012 Zemel
 D663,531 S 7/2012 Zemel
 D664,363 S 7/2012 Rothman
 D665,178 S 8/2012 Zemel
 D690,115 S 9/2013 Zemel et al.
 D690,116 S 9/2013 Zemel et al.
 D690,153 S 9/2013 Zemel
 D690,943 S 10/2013 Pelo
 D691,379 S 10/2013 Gunjian
 D695,019 S 12/2013 Zemel et al.
 8,615,838 B1 12/2013 Lu
 D699,037 S 2/2014 Morrison
 D699,949 S 2/2014 Zemel et al.
 D701,389 S 3/2014 Gunjian
 D702,996 S 4/2014 Zemel et al.
 8,713,739 B1 5/2014 Alas et al.
 D720,933 S 1/2015 Albers
 9,101,205 B2 8/2015 Gunjian
 D737,626 S 9/2015 Lu
 D741,605 S * 10/2015 Witzel A47L 17/00
 D4/132
 D748,399 S 2/2016 Lu
 D753,403 S 4/2016 Zemel et al.
 D756,660 S 5/2016 Zemel et al.
 9,357,832 B2 6/2016 Gonzalez et al.
 D763,581 S 8/2016 Zemel et al.
 D773,242 S 12/2016 Zemel et al.
 D778,107 S 2/2017 Keating
 D784,073 S 4/2017 Keating
 D789,095 S * 6/2017 Wales D4/131
 2003/0070246 A1 4/2003 Cavalheiro
 2005/0011029 A1 1/2005 Yu

2009/0031519 A1 2/2009 Carpenter
 2009/0188061 A1 7/2009 Cybulski et al.
 2012/0079667 A1 4/2012 Ashner, II
 2012/0198639 A1 8/2012 Smith
 2014/0250617 A1 9/2014 Gunjian
 2015/0327659 A1 11/2015 Gunjian
 2017/0055689 A1 3/2017 Gunjian
 2017/0055690 A1* 3/2017 Cheng A46B 5/0004

OTHER PUBLICATIONS

Brushtech—Double Helix Grill Brush, [on-line video]; [published to the Internet by the Grommet on Jun. 26, 2015]; [retrieved from the Internet on Jul. 26, 2017]; URL: <https://www.youtube.com/watch?v=5j7R9U11 pEE>. (3 pages).
 Grill Brush Best 3 Sided Grill Brush . . . , [on-line video]; [published to the Internet by Top Dot Product on Jul. 1, 2015]; [retrieved from the Internet on Jul. 26, 2017]; URL: <https://www.youtube.com/watch?v=5j7R9U11 pEE>. (3 pages).
 Double-Helix Bristle-Free Coil Grill Brush, [on-line]; [unknown Internet publication date]; [retrieved from the Internet on Jul. 26, 2017]; URL: (1 page).
 KitchenAid, Triple Action Grill Cleaning Brush, posted at The Home Depot [online], posting date not available [site visited Mar. 18, 2016]. Available from the Internet, <URL: <http://www.homedepot.com/p/KitchenAid-Triple-Action-Grill-Cleaning-Brush--530-0057/206409957>>.
 Mr. Bar-B-Q, 06440X Deluxe Triple Action Grill Brush, posted at Amazon [online], posting date not available [site visited Mar. 18, 2016]. Available from the Internet, <URL: <http://www.amazon.com/dp/B009UWLOMC/ref=asc.sub.-df.sub.—B009UWLOMC4208-610smid=ATVPDKIKX0DER&tag=merbethomgarbhg-20&linkCode=df0&creative=395093-&creativeASIN=B009UWLOMC&ascsubtag=4004009>>.
 Grill Zone, Barbecue Brush & Scrubber, Long Handle, posted at TrueValue.com [online], posting date not available [site visited Mar. 18, 2016]. Available from the Internet, <URL: <http://www.truevalue.com/product/Barbecue-Brush-Scrubber-Long-Handle/6171-1.uts>>.
 America's Best Barbecue Grill Pro Abrasive Scrubbing Brush—Item # 71448, [online]. America's Best Barbecue, Inc., 2006 [retrieved on May 31, 2013] Retrieved using Internet Archive: http://archive.org/web/20060615000000*/http://www.americasbestbbq.com.
 Zemel et al., Design U.S. Appl. No. 29/606,444, filed Jun. 5, 2017.
 Zemel et al., Design U.S. Appl. No. 29/606,441, filed Jun. 5, 2017.

* cited by examiner

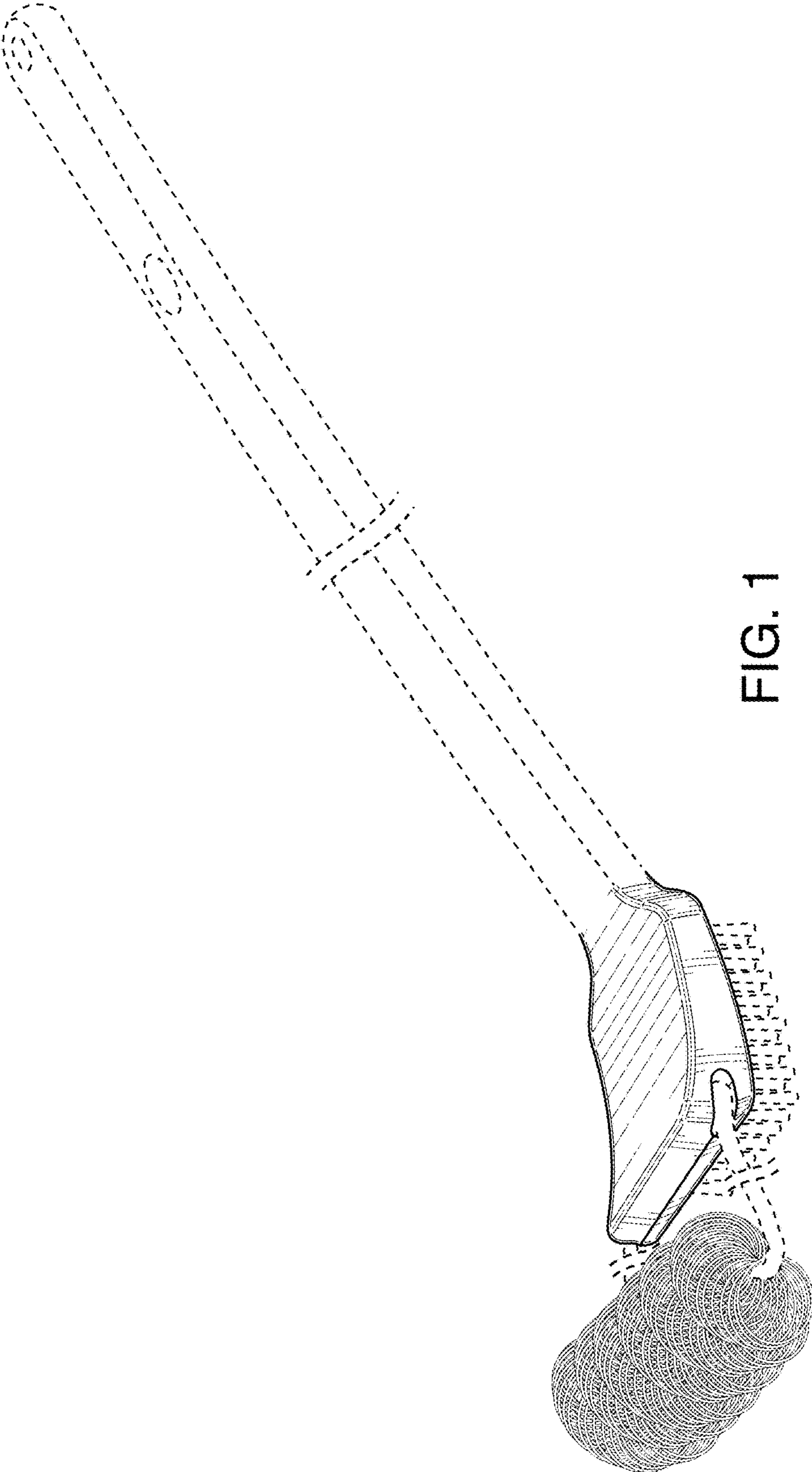


FIG. 1

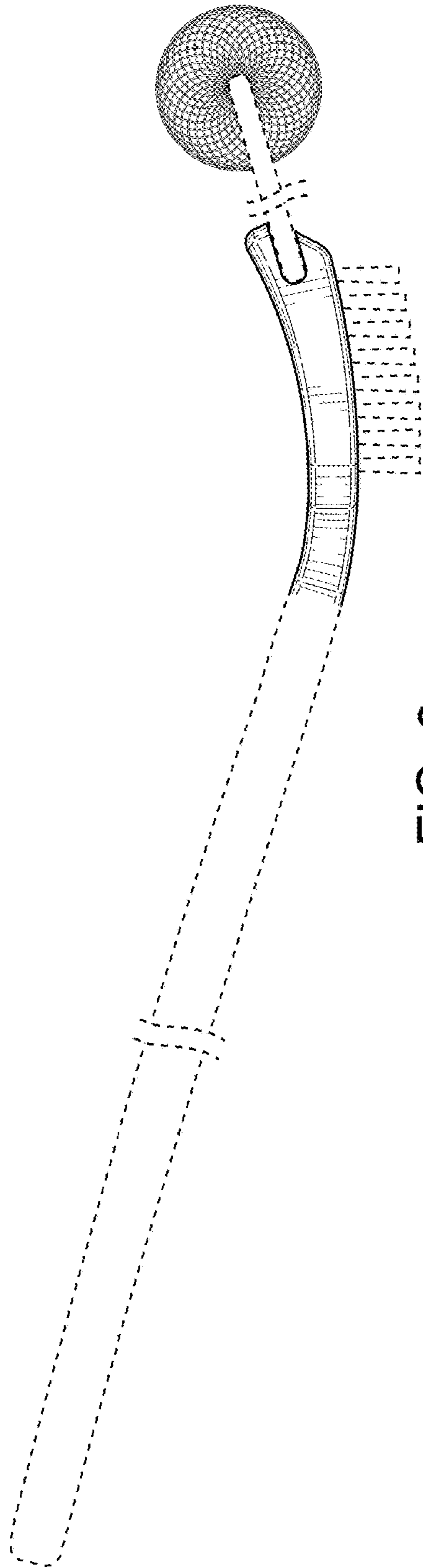


FIG. 2

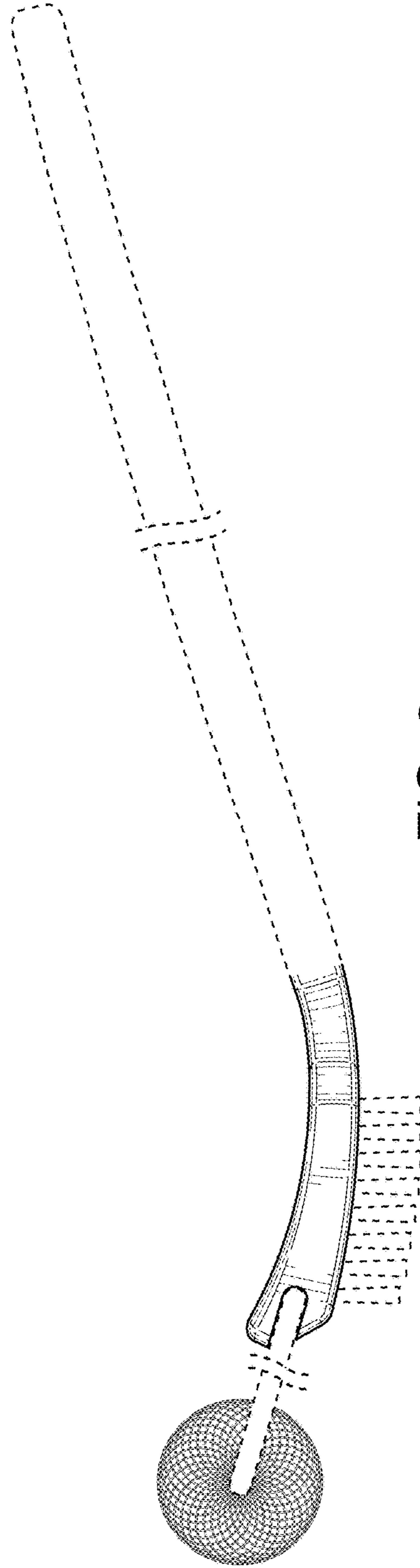


FIG. 3

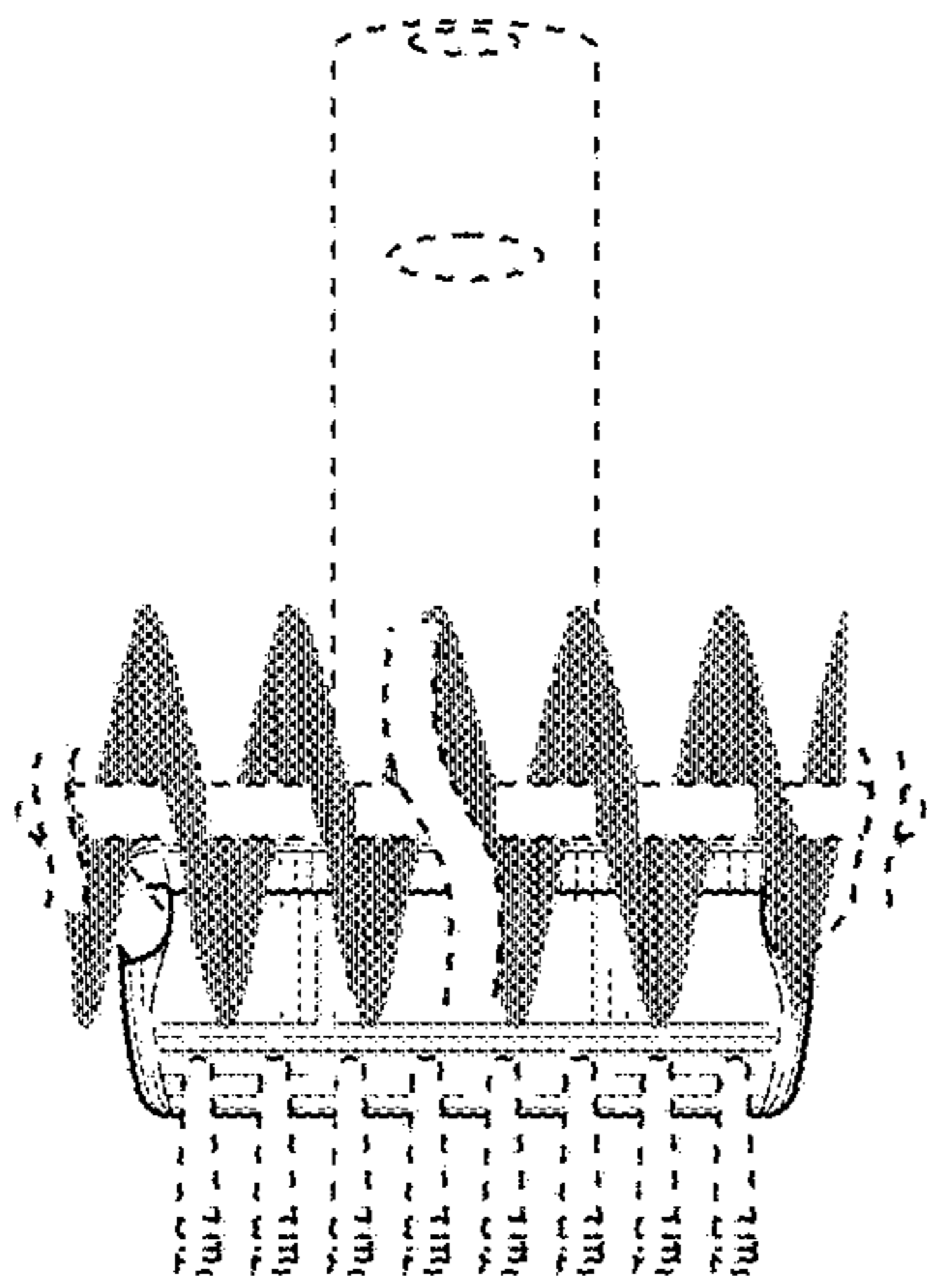


FIG. 4

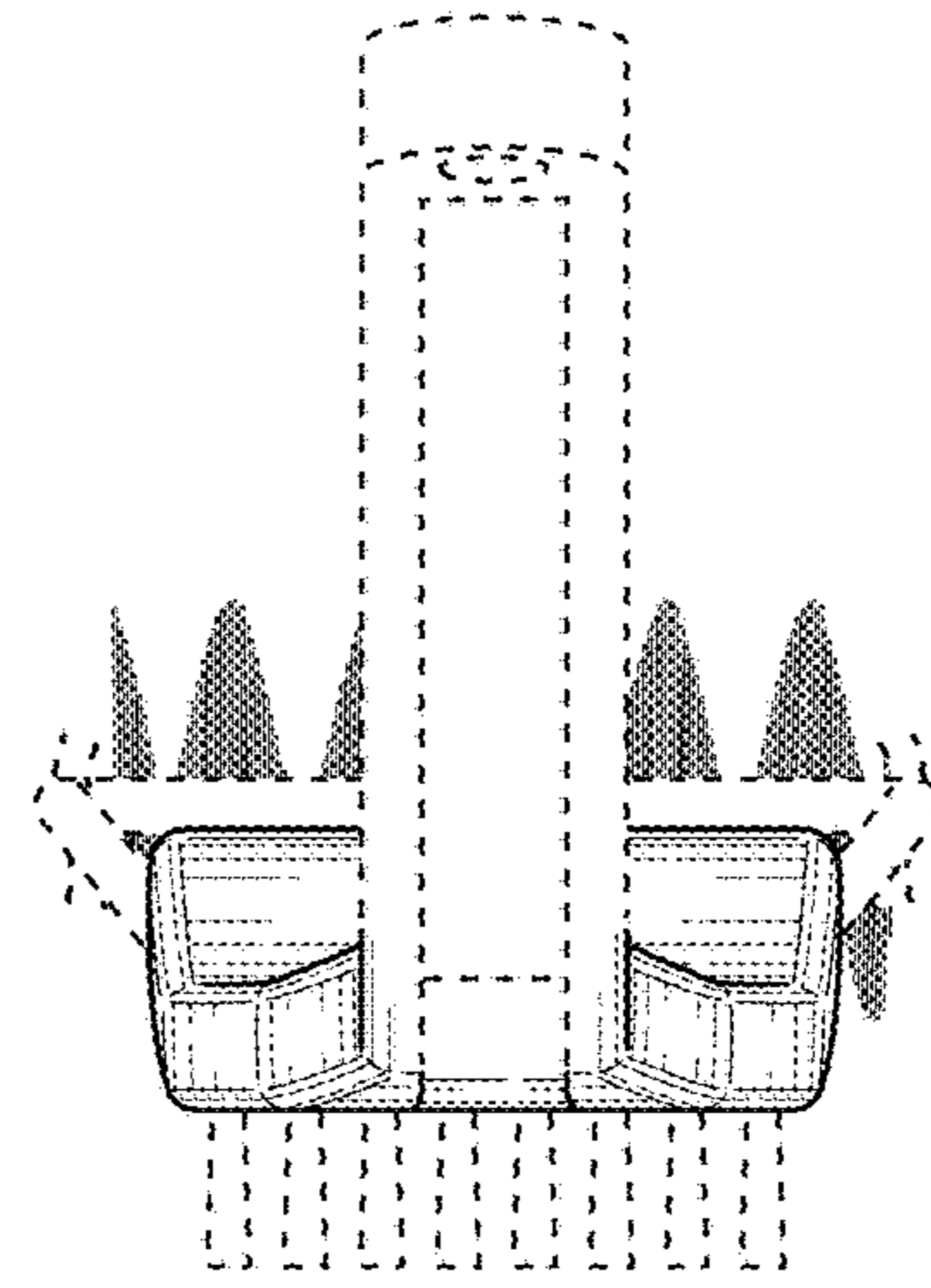


FIG. 6

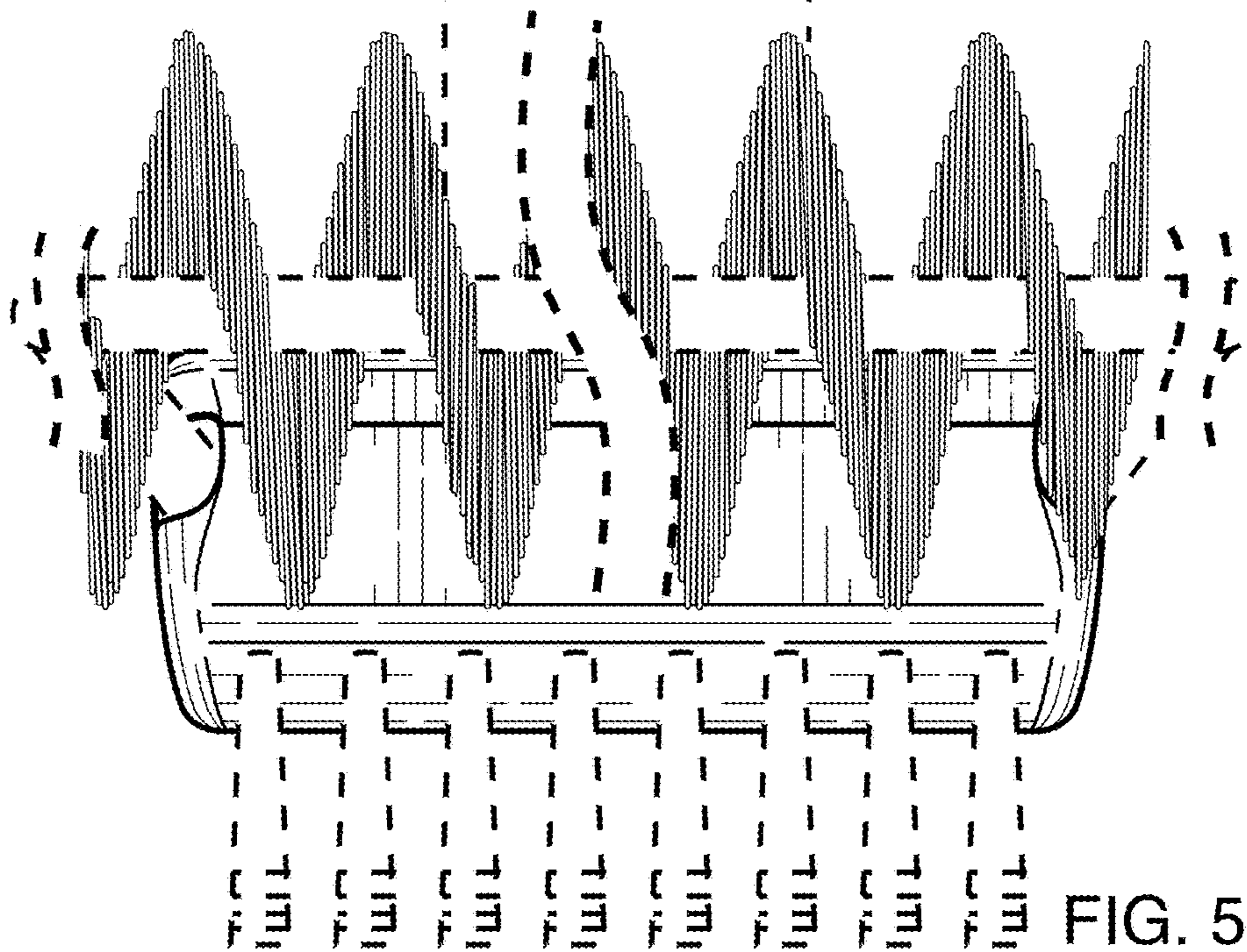


FIG. 5

