



US00D833153S

(12) **United States Design Patent** (10) **Patent No.:** **US D833,153 S**
Zemel (45) **Date of Patent:** **** Nov. 13, 2018**

(54) **GRILL BRUSH**
(71) Applicant: **Mr. Bar-B-Q Products LLC**, Melville, NY (US)
(72) Inventor: **Marc Zemel**, Melville, NY (US)
(73) Assignee: **MR. BAR-B-Q PRODUCTS LLC**, Melville, NY (US)

D104,029 S 4/1937 Gray
2,116,864 A 5/1938 Fehrenbach
2,167,196 A 7/1939 Bothum
2,186,832 A 1/1940 Hertzberg
D138,896 S 9/1944 Edmonds
D146,729 S 4/1947 Storm
D160,736 S 10/1950 Racicot
(Continued)

(**) Term: **15 Years**

JP 10113229 A 5/1998

(21) Appl. No.: **29/630,577**

OTHER PUBLICATIONS

(22) Filed: **Dec. 21, 2017**

(51) **LOC (11) Cl.** **04-01**

(52) **U.S. Cl.**
USPC **D4/118; D4/138**

(58) **Field of Classification Search**
USPC D4/116-118, 130-132, 134, 138; D8/80, D8/83, 94, 103, 300; D32/40, 41, 46, 49, D32/51

CPC A45D 24/14; A45D 24/16; A46B 3/005; A46B 5/00; A46B 5/02; A46B 5/021; A46B 9/02; A46B 9/021; A46B 9/023; A46B 13/001; A46B 13/008; A46B 15/0055; A46B 15/0081; A46B 15/0087; A46B 17/02; A46B 2200/30; A46B 2200/104; A46B 2200/106; A46B 2200/202; A46B 2200/205; A46B 2200/207; A46B 2200/304; A46B 2200/1006; A46B 2200/1046; A46B 2200/1053; A46B 2200/3006; A46B 2200/3033; A46B 2200/3093; H01L 21/67046

See application file for complete search history.

Brushtech Double Helix Bristle Free BBQ Brush, [on-line]; [date first available on the Internet at Amazon.com Apr. 15, 2014]; [retrieved from the Internet on Jul. 26, 2017]; URL: <https://www.amazon.com/Brushtech-Double-Helix-Bristle-21-Inch/dp/B00JPIHNOE?th=1>. (2 pages).

Brushtech—Double Helix Grill Brush, [on-line video]; [published to the Internet by the Grommet on Jun. 26, 2015]; [retrieved from the Internet on Jul. 26, 2017]; URL: <https://www.youtube.com/watch?v=5j7R9U11 pEE>. (3 pages).

(Continued)

Primary Examiner — Keli L Hill

(74) *Attorney, Agent, or Firm* — Carter, Deluca, Farrell & Schmidt, LLP

(57) **CLAIM**

The ornamental design for a grill brush, as shown and described.

DESCRIPTION

FIG. 1 is a perspective view of a grill brush in accordance with the present design;

FIG. 2 is a right side elevational view thereof;

FIG. 3 is a left side elevational view thereof;

FIG. 4 is a front elevational view thereof;

FIG. 5 is a rear elevational view thereof;

FIG. 6 is a top plan view thereof; and,

FIG. 7 is a bottom plan view thereof.

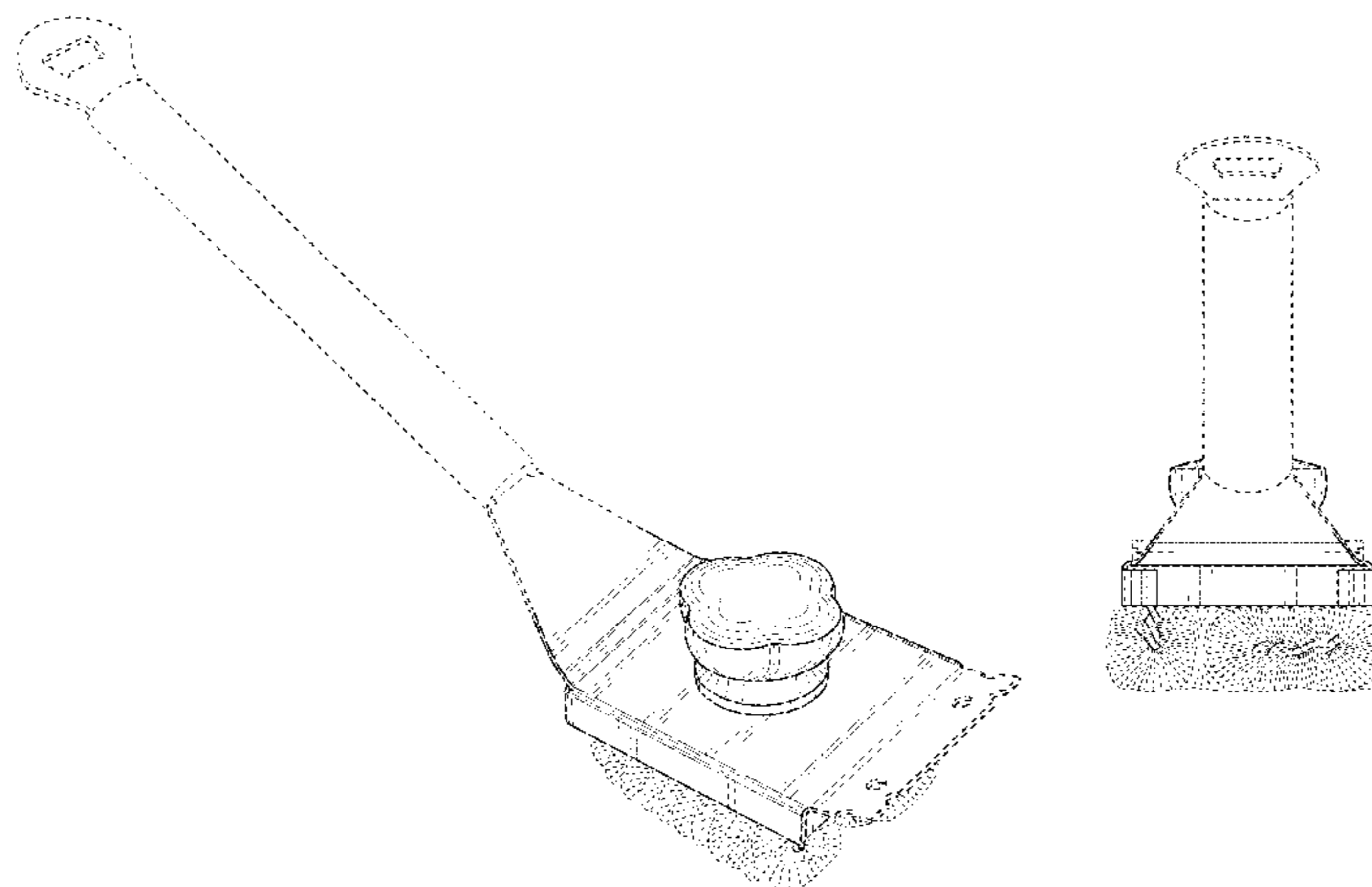
The broken lines shown in the drawings illustrate portions of the grill brush that form no part of the claimed design.

(56) **References Cited**

U.S. PATENT DOCUMENTS

201,688 A 3/1878 Leiner
1,501,547 A 7/1924 Bassett
1,587,024 A 6/1926 Murphy
1,635,970 A 7/1927 Cave

1 Claim, 6 Drawing Sheets



(56)

References Cited

U.S. PATENT DOCUMENTS

2,891,360 A	6/1959	Duffle	D522,247 S	6/2006	Moore	
D189,235 S	11/1960	Racina	D528,857 S	9/2006	Zemel	
3,629,895 A	12/1971	Colgan	D529,333 S	10/2006	Zemel	
D223,314 S	4/1972	Goldfeder	D529,335 S	10/2006	Zemel	
D236,071 S	7/1975	Zemke	D531,853 S	11/2006	Zemel	
4,056,863 A	11/1977	Gunjian	D532,609 S	11/2006	Zemel	
D247,075 S	1/1978	Krusche	D533,397 S	12/2006	Zemel	
4,091,579 A	5/1978	Giangiulio	D534,001 S	12/2006	Zemel	
4,146,943 A	4/1979	Wertheimer et al.	D535,147 S	1/2007	Zemel	
4,167,796 A	9/1979	De Pamphilis	D535,519 S	1/2007	Zemel	
4,730,949 A	3/1988	Wilson	D540,543 S	4/2007	Hay	
4,819,291 A	4/1989	Gunjian	D544,213 S	6/2007	Dow et al.	
D344,634 S	3/1994	Berti	D544,714 S	6/2007	Zemel	
D345,653 S	4/1994	Joyner et al.	D544,750 S	6/2007	Zemel	
D346,698 S	5/1994	Hinnant	D545,120 S	6/2007	Zemel	
D349,193 S	8/1994	Sloan et al.	D545,121 S	6/2007	Zemel	
D355,529 S	2/1995	Tsai	D547,553 S *	7/2007	Borovicka	A47L 17/00 D4/129
D358,491 S	5/1995	Hoagland	D550,504 S	9/2007	Zemel	
D360,763 S	8/1995	Camp, Jr. et al.	D562,009 S *	2/2008	Zemel	D4/118
D362,793 S	10/1995	Khan et al.	D562,062 S	2/2008	Zemel	
D362,937 S	10/1995	Camp, Jr. et al.	D562,064 S	2/2008	Zemel	
5,471,700 A	12/1995	Pereira	D562,563 S	2/2008	Wales	
5,479,673 A	1/1996	Carton	D563,675 S	3/2008	Zemel	
D366,962 S	2/1996	Whitaker	D563,677 S *	3/2008	Zemel	D4/118
D369,472 S	5/1996	Laubach, III et al.	D564,292 S	3/2008	Zemel	
D373,251 S	9/1996	Young	D566,460 S	4/2008	Zemel	
D374,557 S	10/1996	Whitaker	D567,511 S *	4/2008	Borovicka	D4/118
D381,483 S	7/1997	Hartman	D569,174 S	5/2008	Zemel	
D392,104 S	3/1998	Berti	D572,079 S	7/2008	Zemel	
D400,328 S	10/1998	Zemel	D572,080 S	7/2008	Zemel	
D403,165 S	12/1998	Ferrante et al.	D574,184 S	8/2008	Zemel	
D411,368 S	6/1999	Liu	D577,495 S *	9/2008	Borovicka	D4/138
D417,121 S	11/1999	Brunianyn	D578,826 S	10/2008	Lu	
D417,550 S	12/1999	Lu	D579,269 S	10/2008	Zemel	
6,023,810 A	2/2000	Gessert	D579,668 S	11/2008	Zemel	
D422,792 S	4/2000	Liu	D580,659 S	11/2008	Zemel	
D427,025 S	6/2000	Lee	D584,514 S	1/2009	Dale et al.	
D427,858 S	7/2000	Zemel	D588,868 S	3/2009	Zemel	
D429,889 S *	8/2000	Fielding	D589,705 S	4/2009	Zemel	
D431,753 S	10/2000	Cohen et al.	D590,600 S	4/2009	Dow et al.	
D431,960 S	10/2000	Hay	D597,740 S *	8/2009	Borovicka	D4/138
D437,691 S	2/2001	Weiss	D601,345 S	10/2009	Wales	
6,216,306 B1	4/2001	Esterson et al.	D601,346 S	10/2009	Wales	
D442,026 S	5/2001	Rae	D601,347 S	10/2009	Wales	
D445,257 S	7/2001	Hay	D601,350 S	10/2009	Wales	
D445,654 S	7/2001	Yu	D601,808 S	10/2009	Wales	
D448,973 S	10/2001	Hay et al.	7,632,033 B2	12/2009	Wales	
D454,003 S	3/2002	Saxon	D609,015 S *	2/2010	Borovicka	D4/138
D455,272 S	4/2002	Zemel	D616,204 S	5/2010	Zemel	
D456,207 S	4/2002	Zemel	D618,499 S	6/2010	Zemel	
D456,614 S	5/2002	Zemel	D622,542 S	8/2010	Zemel	
D456,615 S	5/2002	Zemel	D629,650 S	12/2010	Funka, Jr. et al.	
D456,667 S	5/2002	Veltri et al.	D631,289 S	1/2011	Tuli	
6,438,784 B1	8/2002	Yu	D632,088 S	2/2011	Zemel	
6,443,646 B1	9/2002	MacDonald	7,909,526 B2	3/2011	Wales	
D463,952 S	10/2002	Zemel	8,032,974 B2	10/2011	Carpenter	
D465,336 S	11/2002	Zemel	D650,590 S	12/2011	Carlson et al.	
D466,307 S	12/2002	Cantrell	D652,629 S	1/2012	Zemel	
6,499,174 B2	12/2002	Henrie	D653,036 S	1/2012	Fifer	
D468,107 S	1/2003	Shen	D654,272 S	2/2012	Zemel	
D471,365 S	3/2003	Henrie	D655,093 S	3/2012	Raven	
D474,644 S	5/2003	Zemel	D655,511 S	3/2012	Zemel	
D476,525 S	7/2003	Zemel	8,146,284 B2	4/2012	Smith	
D481,906 S	11/2003	Knor	D658,433 S	5/2012	Zemel	
D482,566 S	11/2003	Zemel	D658,894 S	5/2012	Zemel	
D482,569 S	11/2003	Zemel	D658,937 S	5/2012	Zemel	
D487,638 S	3/2004	Libman et al.	D660,141 S	5/2012	Zemel	
D491,413 S	6/2004	Rosenthal	D661,906 S	6/2012	Zemel	
D492,543 S	7/2004	Munari	D663,125 S	7/2012	Zemel	
D494,006 S	8/2004	Zemel	D663,159 S	7/2012	Zemel	
D494,807 S	8/2004	Zemel	D663,531 S	7/2012	Zemel	
D496,558 S	9/2004	Zemel	D664,363 S *	7/2012	Rothman	D4/118
D502,001 S	2/2005	Hay	D665,178 S	8/2012	Zemel	
D502,323 S	3/2005	Zemel	D690,115 S	9/2013	Zemel et al.	
D503,071 S	3/2005	Lu	D690,116 S *	9/2013	Zemel	D4/118
			D690,153 S	9/2013	Zemel	
			D690,943 S	10/2013	Pelo	
			D691,379 S	10/2013	Gunjian	

(56)

References Cited

U.S. PATENT DOCUMENTS

D695,019	S	*	12/2013	Zemel	D4/138
8,615,838	B1		12/2013	Lu		
D699,037	S		2/2014	Morrison		
D699,949	S		2/2014	Zemel et al.		
D701,389	S		3/2014	Gunjian		
D702,996	S		4/2014	Zemel et al.		
8,713,739	B1		5/2014	Alas et al.		
D720,106	S	*	12/2014	Zemel	D32/40
D720,933	S		1/2015	Albers		
9,101,205	B2		8/2015	Gunjian		
D737,626	S		9/2015	Lu		
D741,605	S	*	10/2015	Witzel	A47L 17/00 D4/132
D748,399	S		2/2016	Lu		
D753,403	S		4/2016	Zemel et al.		
D753,404	S	*	4/2016	Zemel	D4/138
D756,660	S		5/2016	Zemel et al.		
9,357,832	B2		6/2016	Gonzalez et al.		
D763,581	S		8/2016	Zemel et al.		
D773,242	S		12/2016	Zemel et al.		
D778,107	S		2/2017	Keating		
D784,073	S		4/2017	Keating		
D789,095	S		6/2017	Wales		
2003/0070246	A1		4/2003	Cavalheiro		
2005/0011029	A1		1/2005	Yu		
2009/0031519	A1		2/2009	Carpenter		
2009/0188061	A1		7/2009	Cybulski et al.		
2012/0079667	A1		4/2012	Ashner, II		
2012/0198639	A1		8/2012	Smith		
2014/0250617	A1		9/2014	Gunjian		
2015/0327659	A1		11/2015	Gunjian		
2017/0055689	A1		3/2017	Gunjian		

OTHER PUBLICATIONS

Grill Brush Best 3 Sided Grill Brush . . . , [on-line video]; [published to the Internet by Top Dot Product on Jul. 1, 2015]; [retrieved from the Internet on Jul. 26, 2017]; URL: <https://www.youtube.com/watch?v=5j7R9U11pEE>. (3 pages).

Double-Helix Bristle-Free Coil Grill Brush, [on-line]; [unknown Internet publication date]; [retrieved from the Internet on Jul. 26, 2017]; URL: (1 page).

<KitchenAid, Triple Action Grill Cleaning Brush, posted at The Home Depot [online], posting date not available [site visited Mar. 18, 2016]. Available from the Internet, <URL: <http://www.homedepot.com/p/KitchenAid-Triple-Action-Grill-Cleaning-Brush—530-0057/206409957>>.

Mr. Bar-B-Q, 06440X Deluxe Triple Action Grill Brush, posted at Amazon [online], posting date not available [site visited Mar. 18, 2016]. Available from the Internet, <URL:<http://www.amazon.com/dp/B009UWLOMC/ref=asc.sub.--df.sub.-B009UWLOMC4208-610?smid=ATVPDKIKX0DER&tag=merbethomgarbhg-20&linkCode=df0&creative=395093-&creativeASIN=B009UWLOMC&ascsubtag=4004009>>.

Grill Zone, Barbecue Brush & Scrubber, Long Handle, posted at TrueValue.com [online], posting date not available [site visited Mar. 18, 2016]. Available from the Internet, <URL:<http://www.truevalue.com/product/Barbecue-Brush-Scrubber-Long-Handle/6171-1.uts>>.

America's Best Barbecue Grill Pro Abrasive Scrubbing Brush—Item # 71448, [online]. America's Best Barbecue, Inc., 2006 [retrieved on May 31, 2013] Retrieved using Internet Archive:http://archive.org/web/20060615000000*/http://www.americasbestbbq.com.

Zemel et al., Design U.S. Appl. No. 29/606,444, filed Jun. 5, 2017.

Zemel et al., Design U.S. Appl. No. 29/606,441, filed Jun. 5, 2017.

Zemel et al., Design U.S. Appl. No. 29/606,443, filed Jun. 5, 2017.

* cited by examiner

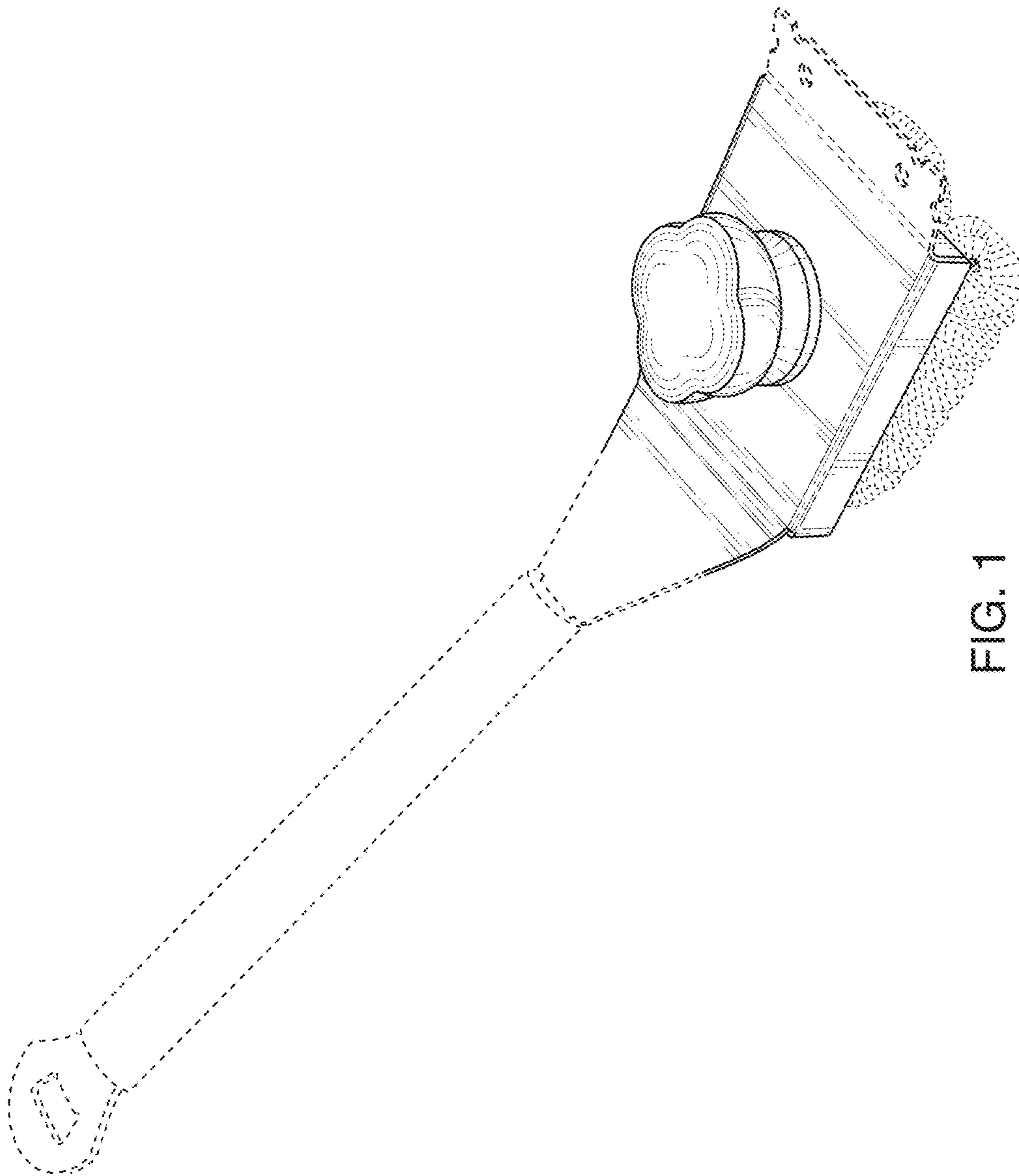


FIG. 1

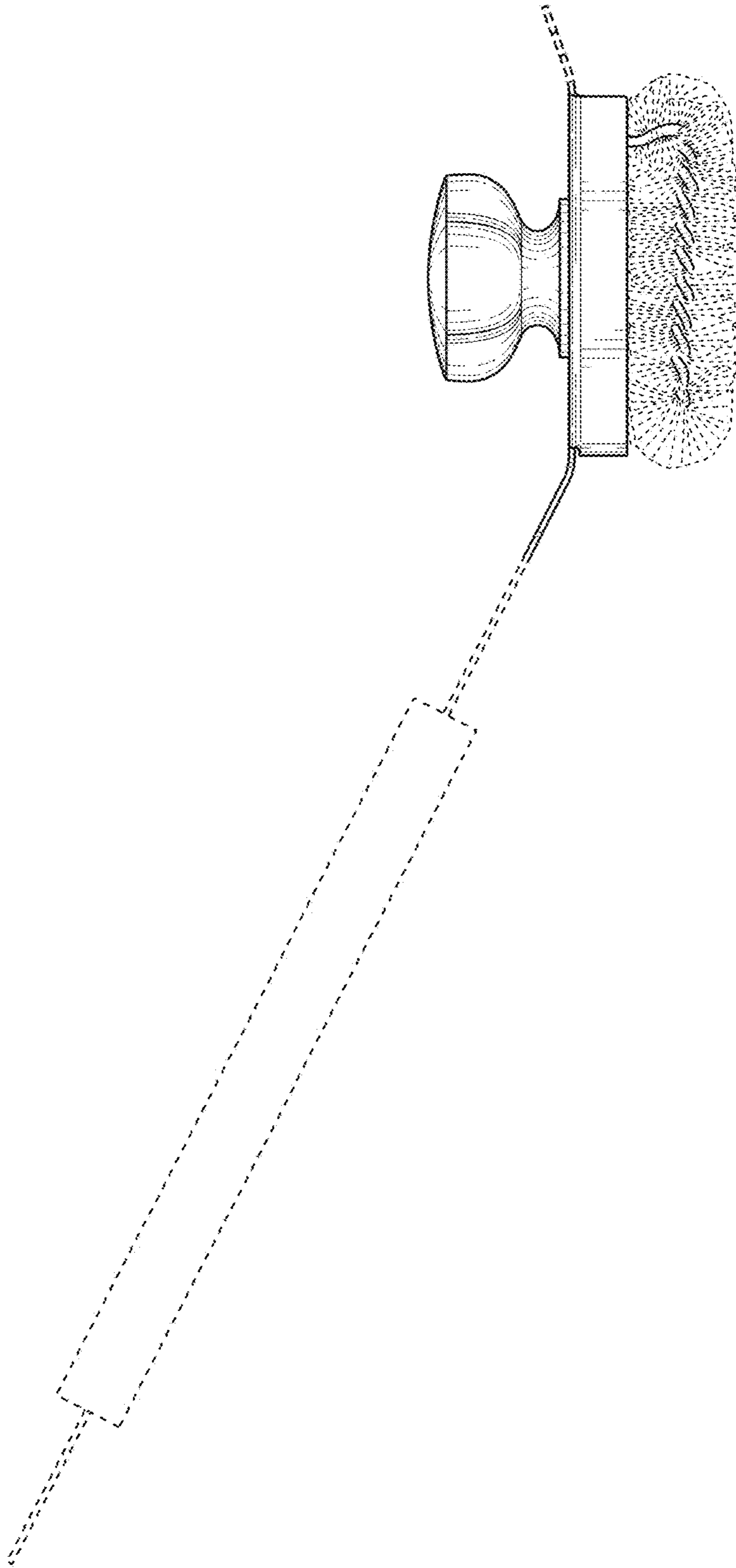


FIG. 2

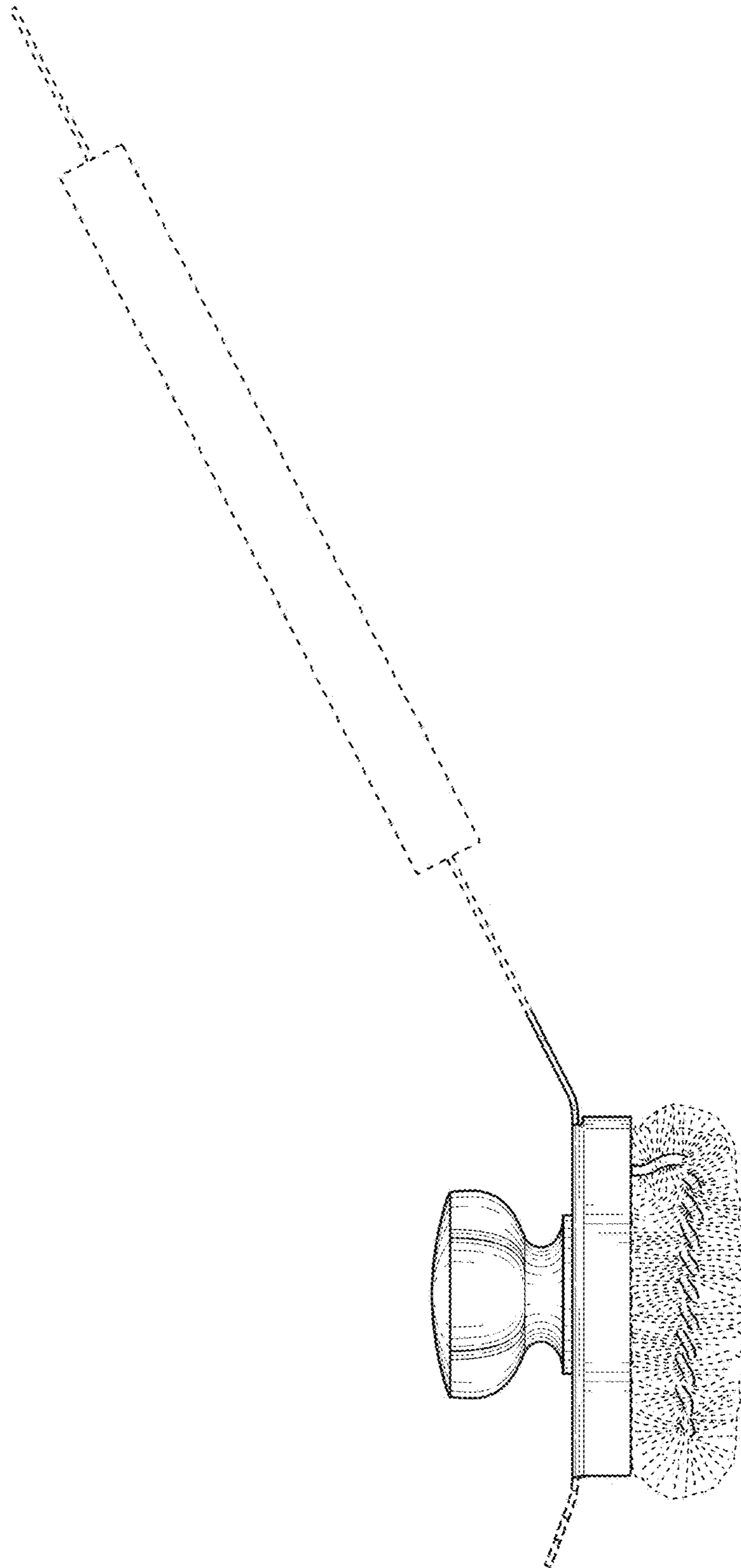


FIG. 3

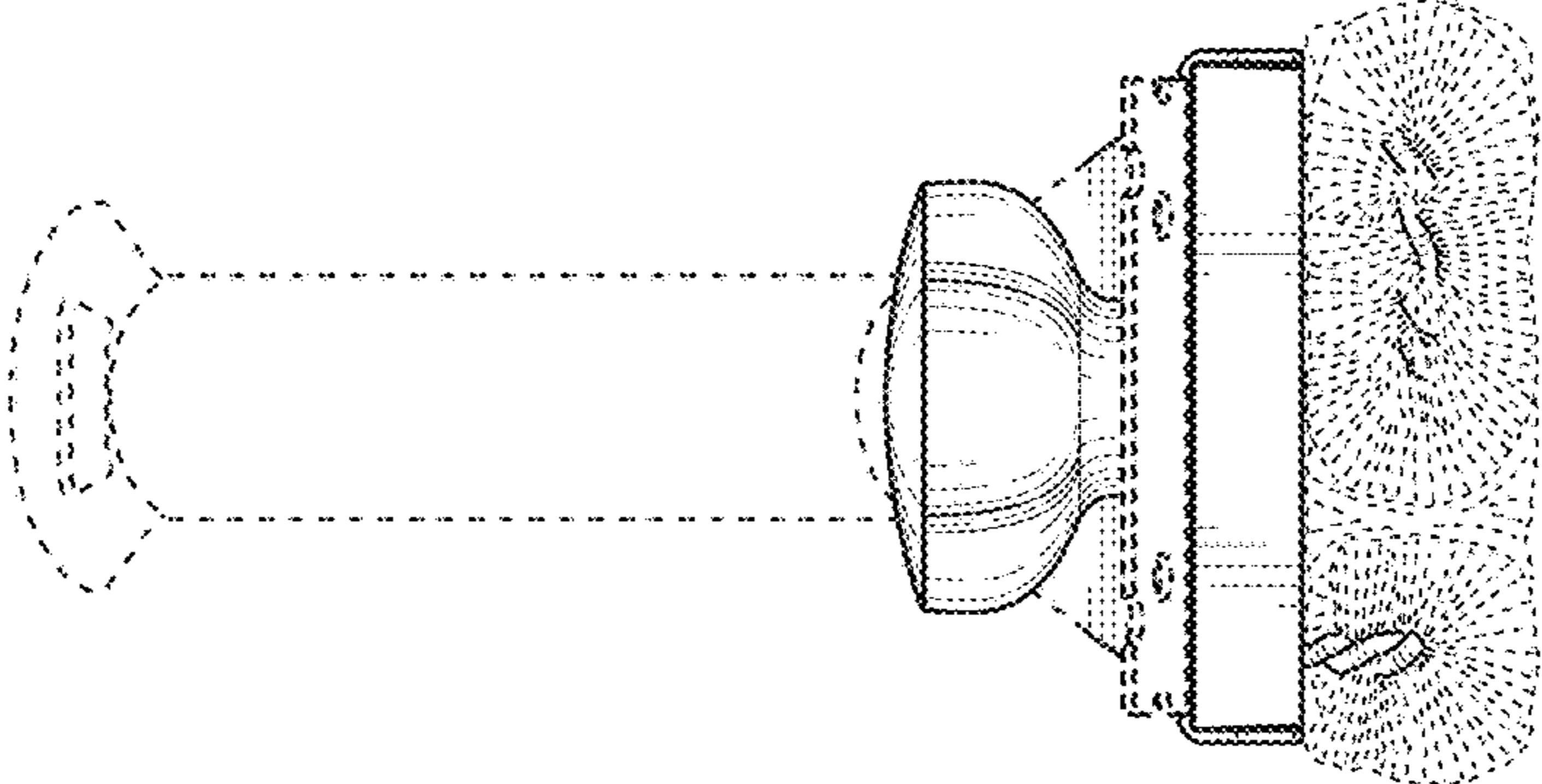


FIG. 4

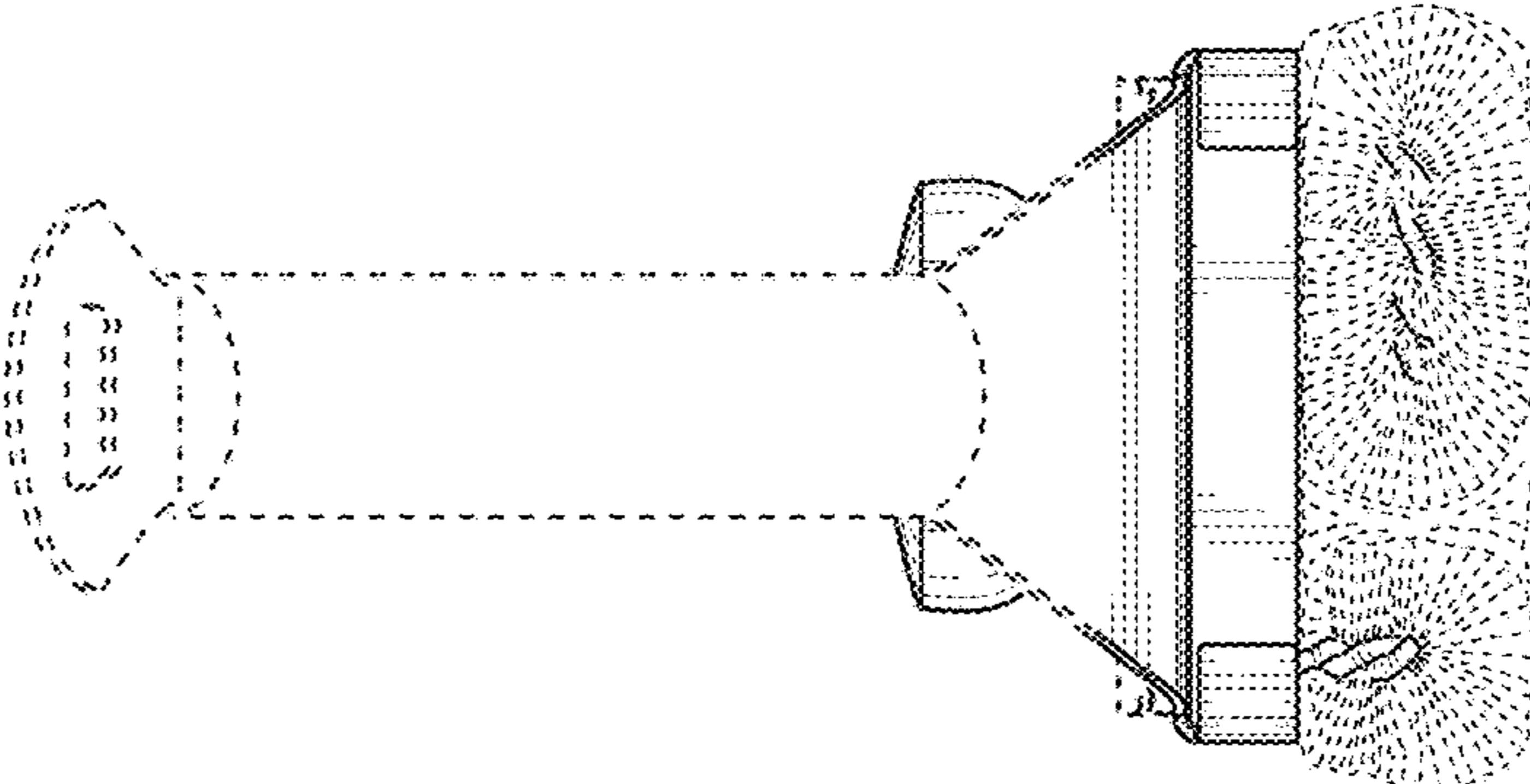


FIG. 5

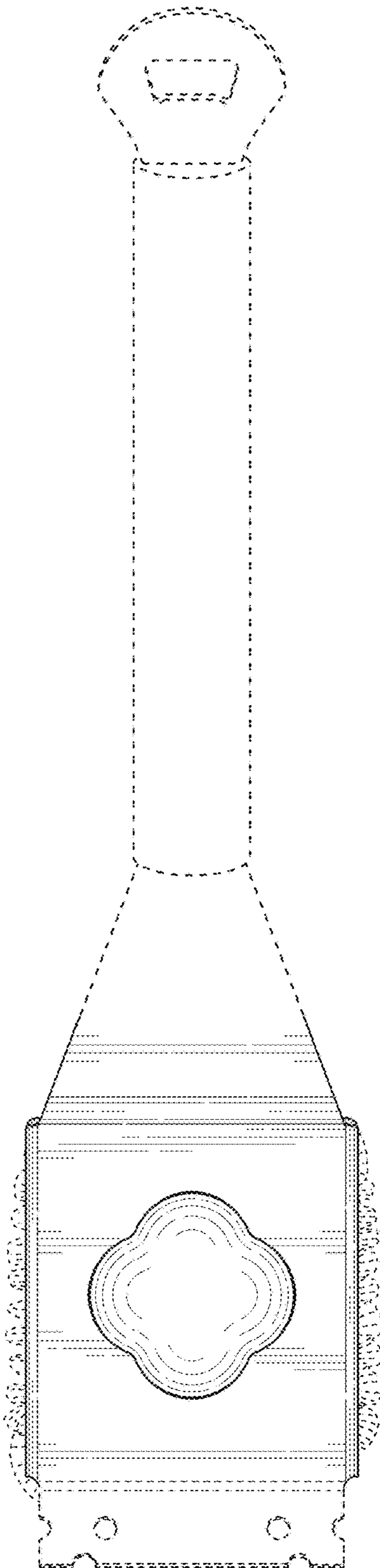


FIG. 6

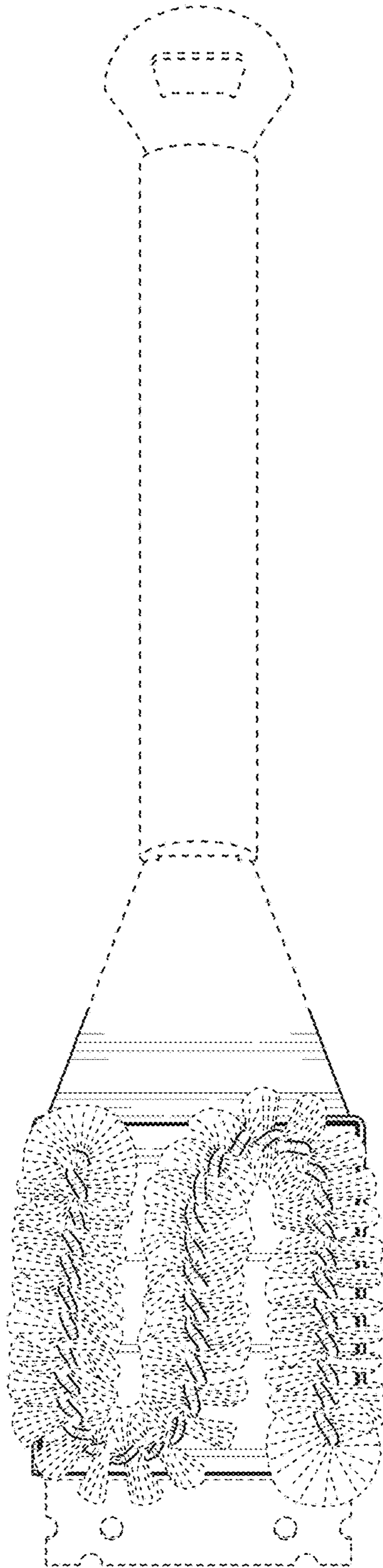


FIG. 7