



US00D833152S

(12) **United States Design Patent** (10) **Patent No.:** **US D833,152 S**  
**Tschopp et al.** (45) **Date of Patent:** **\*\* Nov. 13, 2018**

(54) **BRUSH**

(71) Applicant: **Black & Decker Inc.**, New Britain, CT (US)

(72) Inventors: **Tylan A. Tschopp**, Baltimore, MD (US); **Liu Chao Lien**, Taichung (TW)

(73) Assignee: **BLACK & DECKER INC.**, New Britain, CT (US)

(\*\*) Term: **15 Years**

(21) Appl. No.: **29/627,389**

(22) Filed: **Nov. 27, 2017**

(51) **LOC (11) Cl.** ..... **04-01**

(52) **U.S. Cl.**  
USPC ..... **D4/118; D4/134**

(58) **Field of Classification Search**  
USPC ..... D4/116–118, 130–132, 134, 138; D8/80, D8/83, 94, 103, 300; D32/40, 41, 46, 49, D32/51

CPC ..... A45D 24/14; A45D 24/16; A46B 3/005; A46B 5/00; A46B 5/02; A46B 5/021; A46B 9/02; A46B 9/021; A46B 9/023; A46B 13/001; A46B 13/008; A46B 15/0055; A46B 15/0081; A46B 15/0087; A46B 17/02; A46B 2200/30; A46B 2200/104; A46B 2200/106; A46B 2200/202; A46B 2200/205; A46B 2200/207; A46B 2200/304; A46B 2200/1006; A46B 2200/1046; A46B 2200/1053; A46B 2200/3006; A46B 2200/3033; A46B 2200/3093

See application file for complete search history.

(56) **References Cited**

U.S. PATENT DOCUMENTS

D227,621	S	*	7/1973	Per Lindbo	.....	D4/132
D227,622	S	*	7/1973	Per Lindbo	.....	D4/132
D349,193	S	*	8/1994	Sloan	.....	D32/42
D495,497	S	*	9/2004	Berti	.....	D4/138
D495,881	S	*	9/2004	Berti	.....	D4/138
D501,087	S	*	1/2005	Berti	.....	D4/138
D572,012	S	*	7/2008	Zemel	.....	D4/118
D575,525	S	*	8/2008	Libman	.....	D4/118
D575,526	S	*	8/2008	Libman	.....	D4/118
D598,202	S	*	8/2009	McNeil	.....	D4/132

\* cited by examiner

*Primary Examiner* — Keli L Hill

(74) *Attorney, Agent, or Firm* — Adan Ayala

(57) **CLAIM**

The ornamental design for a brush, as shown and described.

**DESCRIPTION**

FIG. 1 is a front perspective view of a brush according to the invention.

FIG. 2 is a front view of the brush of FIG. 1.

FIG. 3 is a rear view of the brush of FIG. 1.

FIG. 4 is a left side view of the brush of FIG. 1.

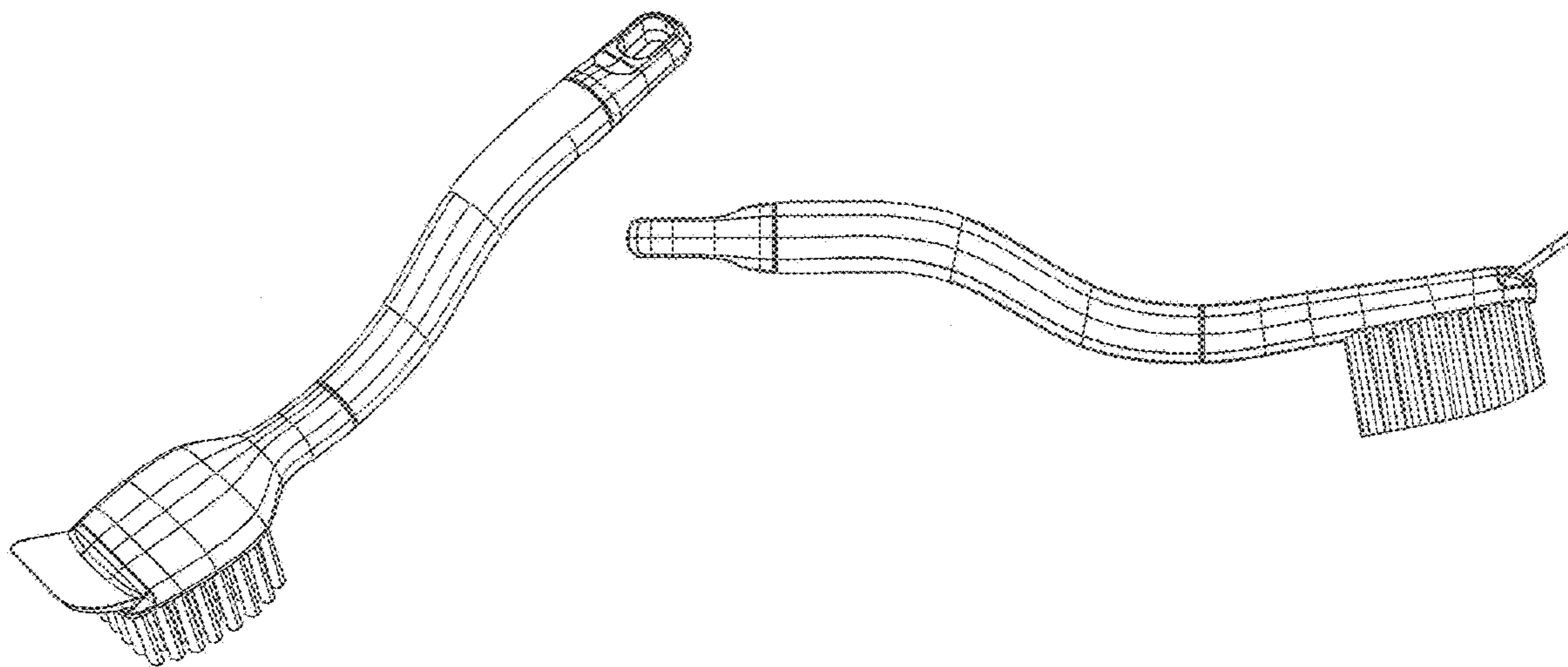
FIG. 5 is a right side view of the brush of FIG. 1.

FIG. 6 is a top plan view of the brush of FIG. 1.

FIG. 7 is a bottom plan view of the brush of FIG. 1; and,

FIG. 8 is a rear perspective view of the brush of FIG. 1.

**1 Claim, 8 Drawing Sheets**



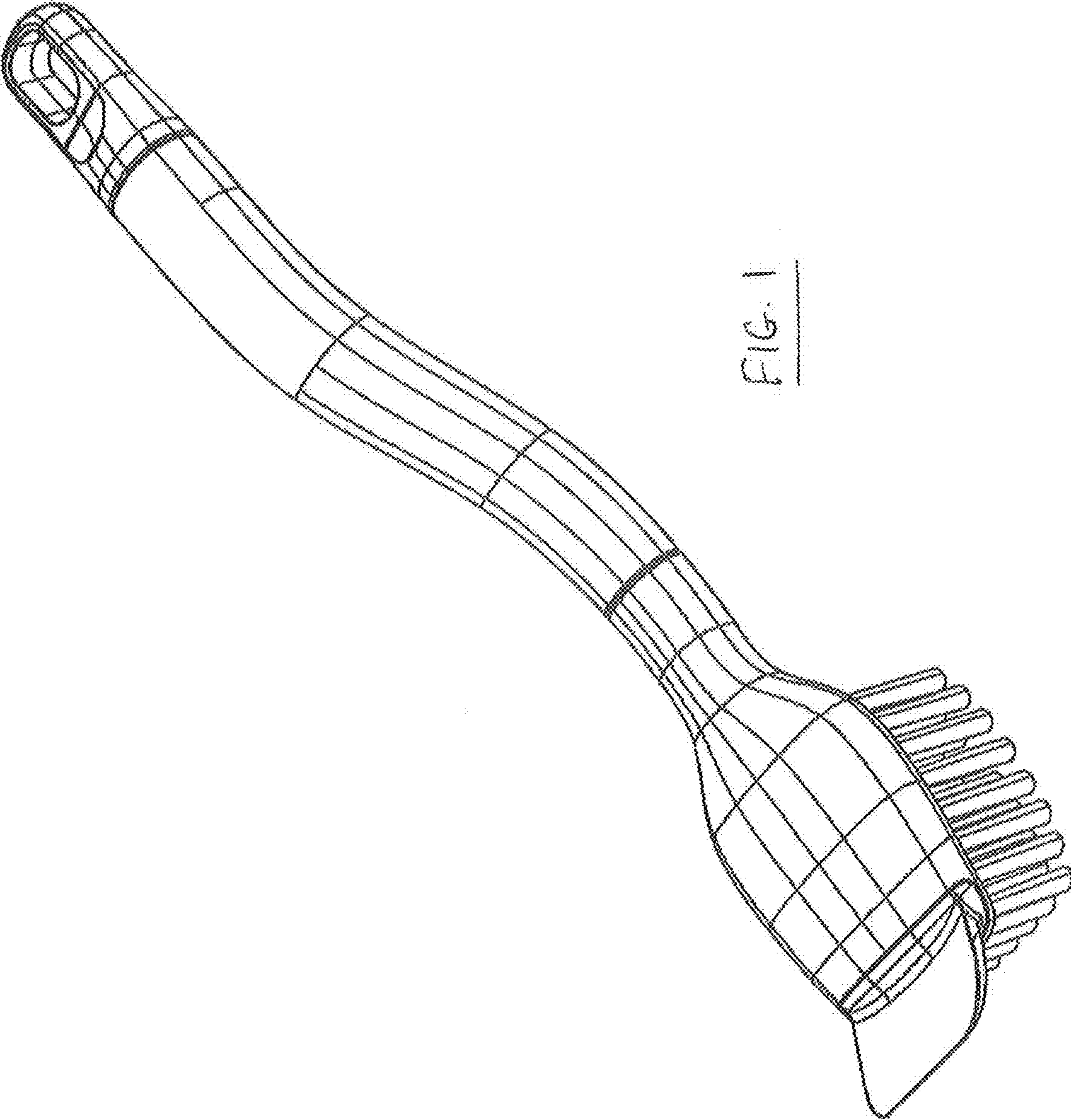


FIG. 1



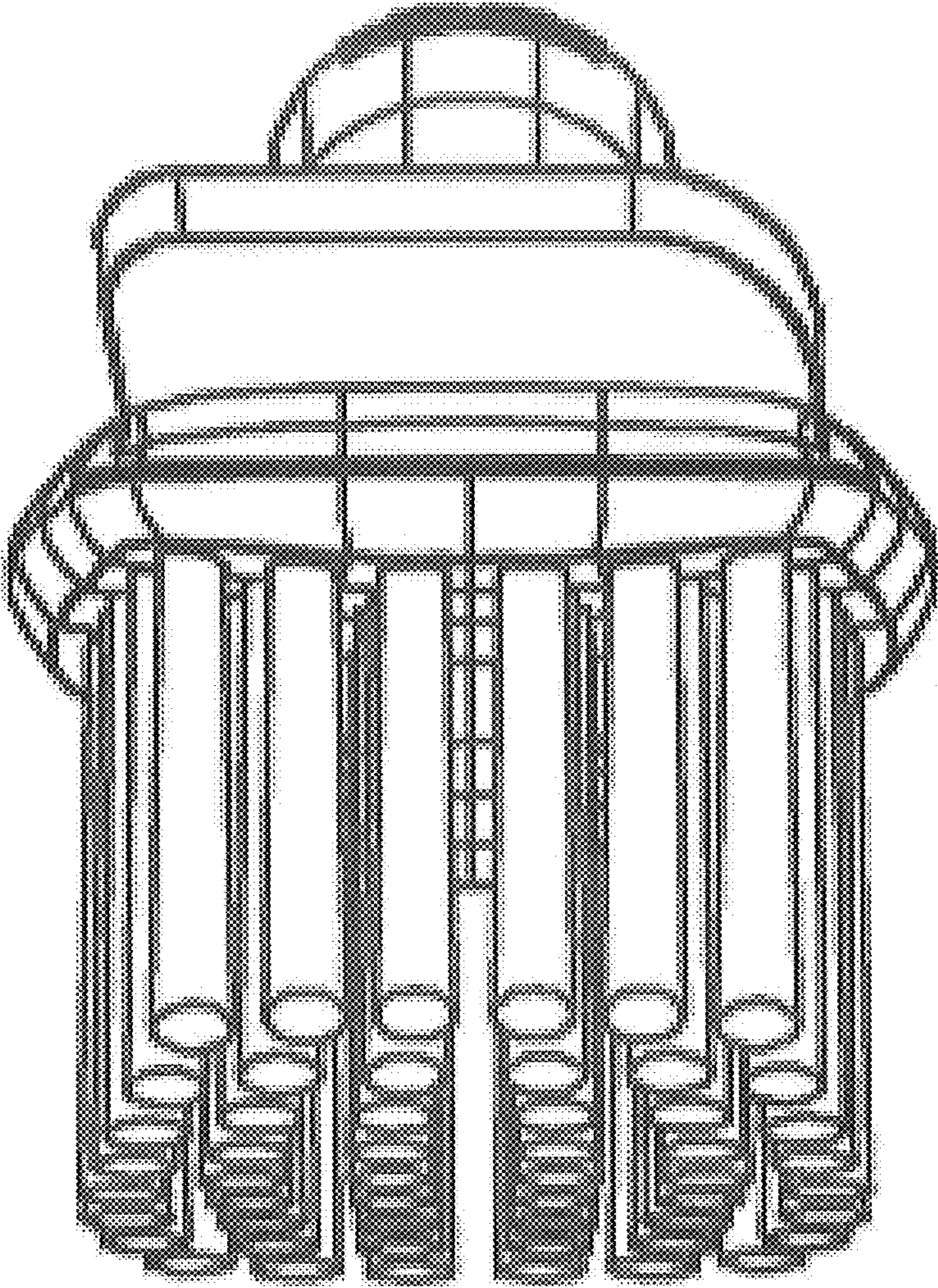


FIG. 2



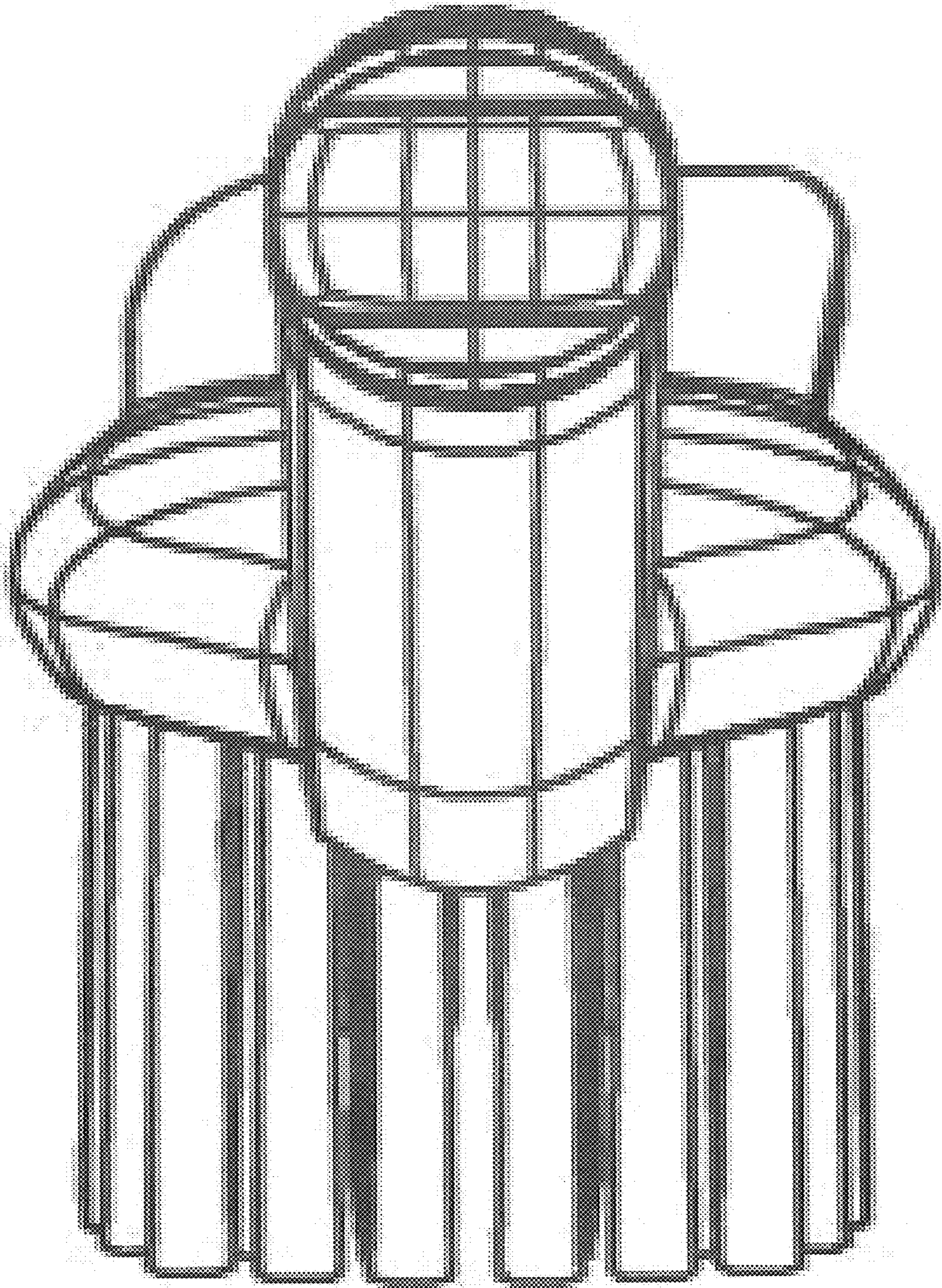


FIG. 3



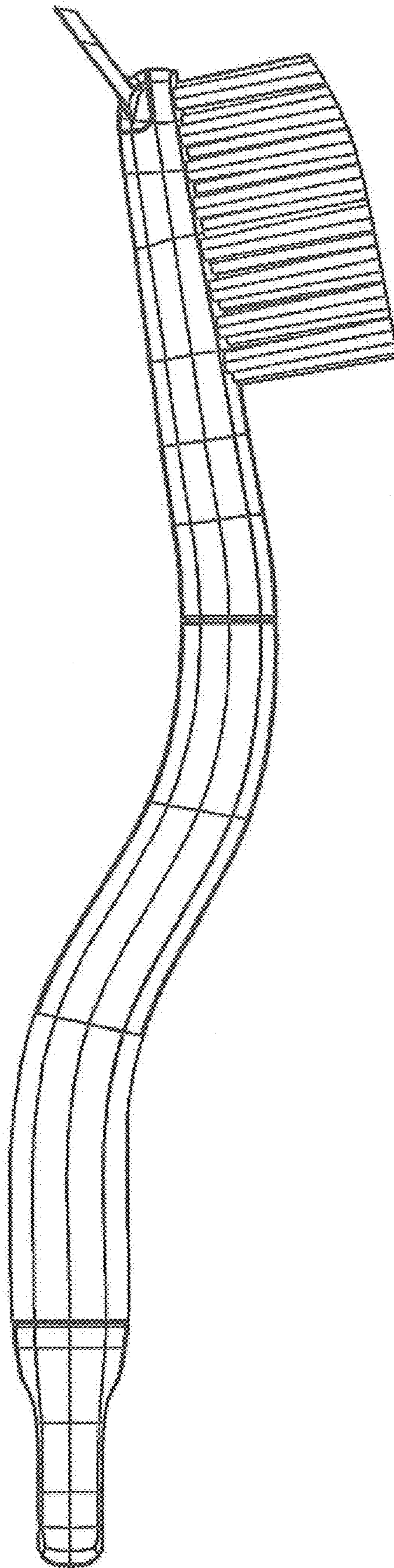


FIG. 4

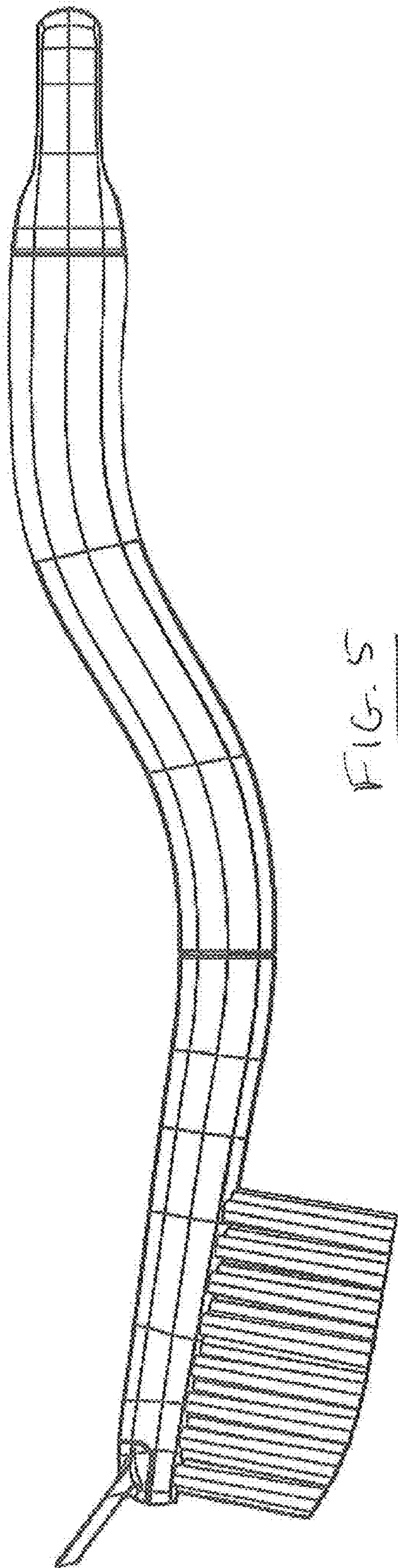


FIG. 5

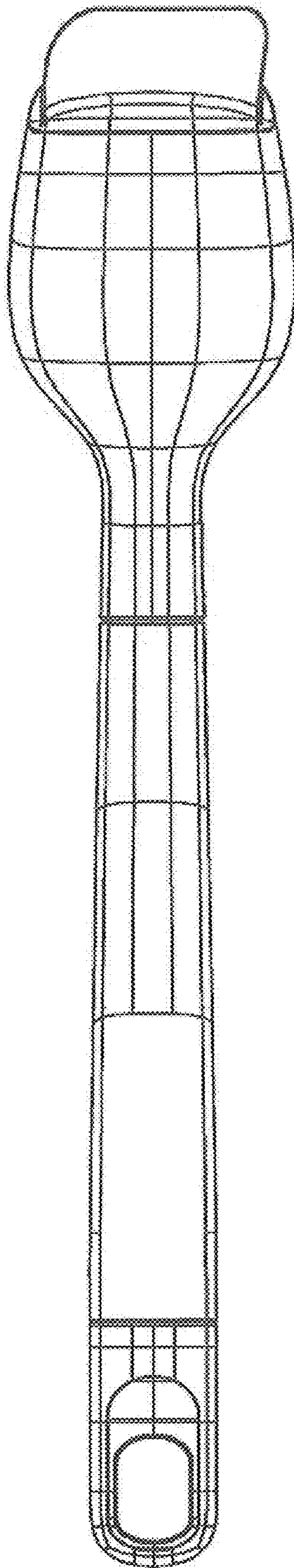


FIG. 6



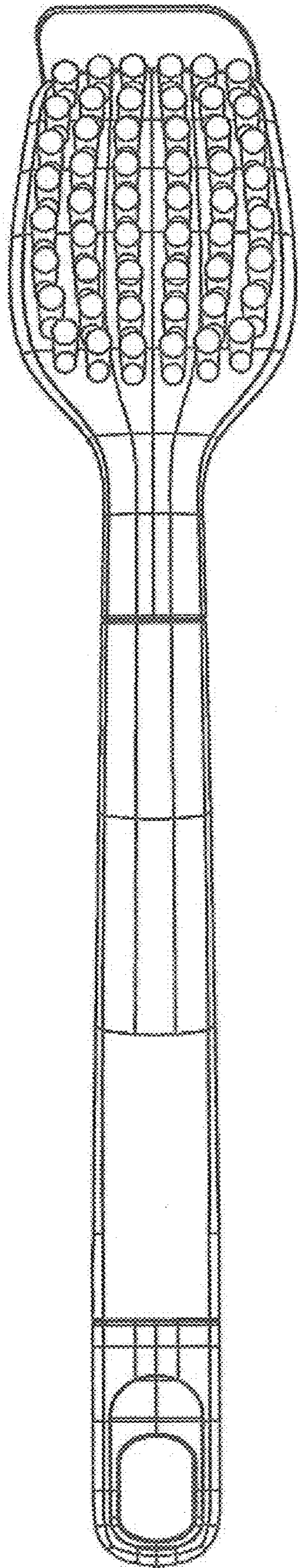


FIG. 7



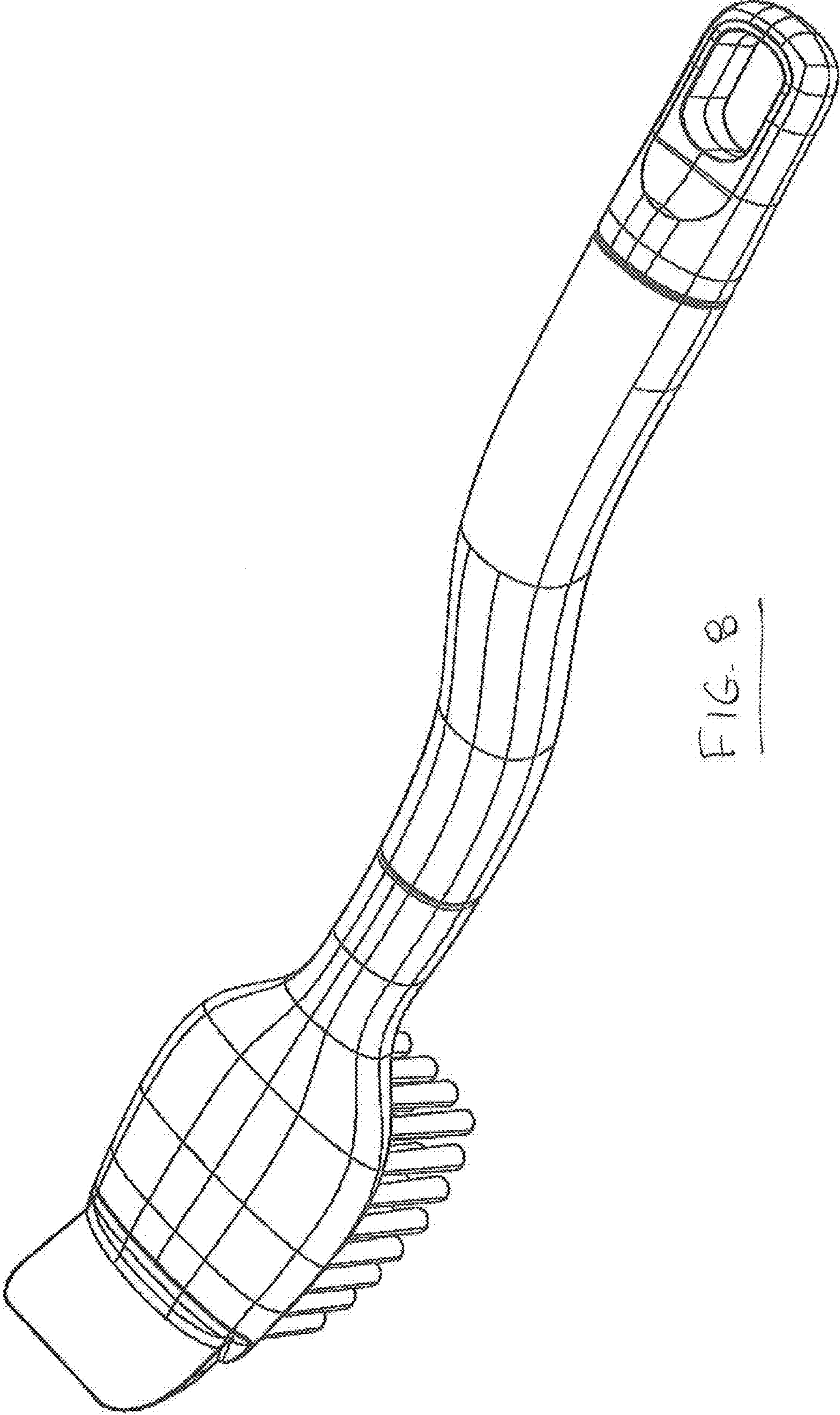


FIG. 8