



US00D833151S

(12) **United States Design Patent** (10) **Patent No.:** **US D833,151 S**
Hwang (45) **Date of Patent:** **** Nov. 13, 2018**

(54) **COMBINED COSMETIC BRUSH AND HOLDER**

(71) Applicant: **F.S. KOREA INDUSTRIES INC.,**
Seoul (KR)

(72) Inventor: **Jae Kwang Hwang,** Seoul (KR)

(73) Assignee: **F.S.KOREA INDUSTRIES INC.,**
Seoul (KR)

(**) Term: **15 Years**

(21) Appl. No.: **29/583,251**

(22) Filed: **Nov. 3, 2016**

(30) **Foreign Application Priority Data**

Jun. 10, 2016 (KR) 30-2016-0027971

(51) **LOC (11) Cl.** **04-99**

(52) **U.S. Cl.**
USPC **D4/116; D4/130; D4/132; D4/135**

(58) **Field of Classification Search**
USPC D4/116, 117, 118, 119, 124, 199, 130,
D4/132; D28/9; D6/551, 535
CPC A45D 24/14; A45D 24/16; A46B 3/005;
A46B 5/00; A46B 5/02; A46B 5/021;
A46B 9/02; A46B 9/021; A46B 9/023;
A46B 13/001; A46B 13/008; A46B
15/0055; A46B 15/0081; A46B 15/0087;
A46B 17/02; A46B 2200/30; A46B
2200/104; A46B 2200/106; A46B
2200/202; A46B 2200/205; A46B
2200/207; A46B 2200/304; A46B
2200/1006; A46B 2200/1046; A46B
2200/1053; A46B 2200/3006; A46B
2200/3033; A46B 2200/3093

See application file for complete search history.

(56) **References Cited**

U.S. PATENT DOCUMENTS

D33,992 S * 1/1901 Albright D4/127
888,756 A * 5/1908 Scranton A45D 33/006
401/130
1,538,575 A * 5/1925 Mosman A21B 3/16
15/209.1
1,553,710 A * 9/1925 Muus A46B 11/0093
15/248.1
2,242,947 A * 5/1941 Griffis A47L 23/05
15/209.1
D143,437 S * 1/1946 Montenier D28/44
4,733,788 A * 3/1988 D'Amico A45D 40/265
215/295
D307,527 S * 5/1990 DeCoster D7/667
D307,646 S * 5/1990 Kingsford D28/76
D452,097 S * 12/2001 Zetsche D6/535
D521,738 S * 5/2006 Huller D4/124

(Continued)

Primary Examiner — Keli L Hill

Assistant Examiner — Karra S Johnson

(74) *Attorney, Agent, or Firm* — Heedong Chae; Lucern,
PC

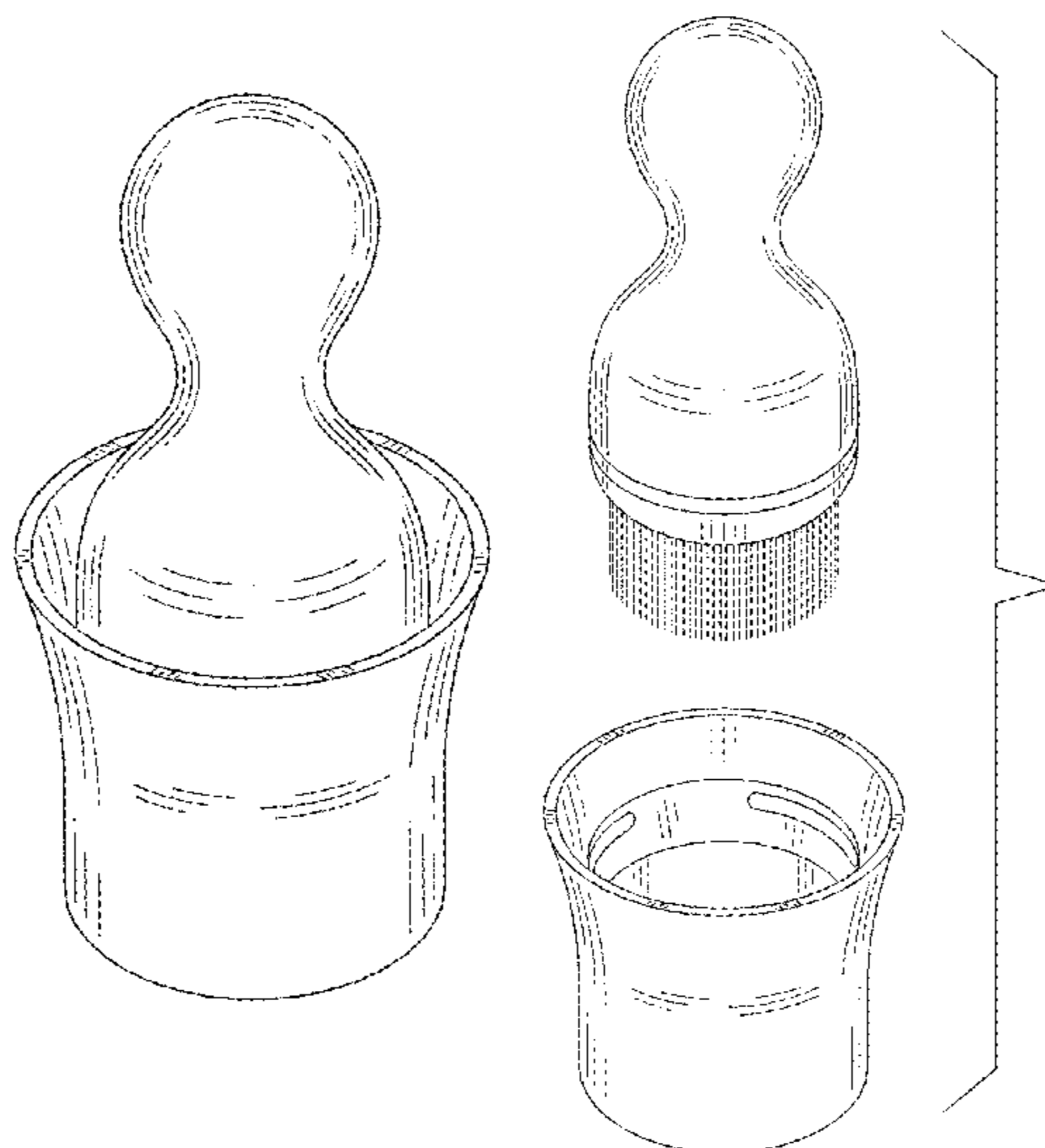
(57) **CLAIM**

The ornamental design for a combined cosmetic brush and holder, as shown and described.

DESCRIPTION

FIG. 1 is a perspective view of a combined cosmetic brush and holder;
FIG. 2 is a front view thereof;
FIG. 3 is a rear view thereof;
FIG. 4 is a left side view thereof;
FIG. 5 is a right side view thereof;
FIG. 6 is a top plan view thereof;
FIG. 7 is a bottom view thereof; and,
FIG. 8 is a front exploded perspective view thereof.
The broken lines are included for the purpose of illustrating portions of the combined cosmetic brush and holder that form no part of the claimed design.

1 Claim, 8 Drawing Sheets



(56)

References Cited

U.S. PATENT DOCUMENTS

| | | | |
|-------------------|---------|---------------------|-----------------------|
| D536,177 S * | 2/2007 | Arnaud | D28/91 |
| D576,801 S * | 9/2008 | Dretzka | D4/116 |
| D599,113 S * | 9/2009 | Jackel-Marken | D4/114 |
| D621,161 S * | 8/2010 | Griffith | D4/114 |
| D624,827 S * | 10/2010 | Hartman | D9/668 |
| D663,124 S * | 7/2012 | Prince | D4/116 |
| D679,505 S * | 4/2013 | Hammel | D4/108 |
| D719,219 S * | 12/2014 | Bibler | D21/398 |
| 8,986,236 B2 * | 3/2015 | Slokovic | A45D 34/04 132/200 |
| D762,990 S * | 8/2016 | Hwang | D4/138 |
| D798,603 S * | 10/2017 | Hwang | D4/127 |
| D805,308 S * | 12/2017 | Chitayat | D4/116 |
| 2003/0019078 A1 * | 1/2003 | Lauer | A46B 5/00 16/110.1 |
| 2009/0089949 A1 * | 4/2009 | Mink | A46B 3/10 15/160 |

* cited by examiner

FIG. 1

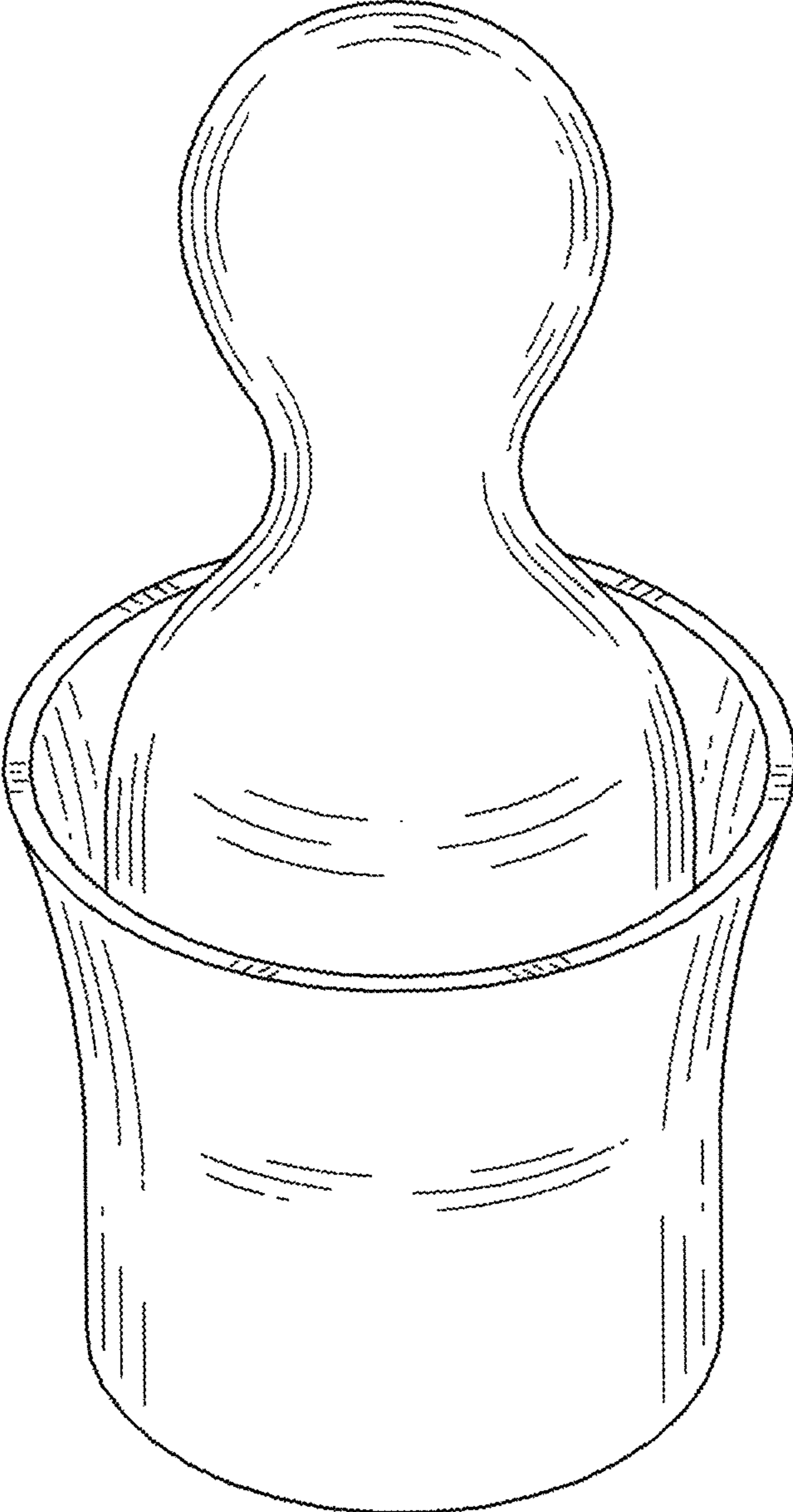


FIG. 2

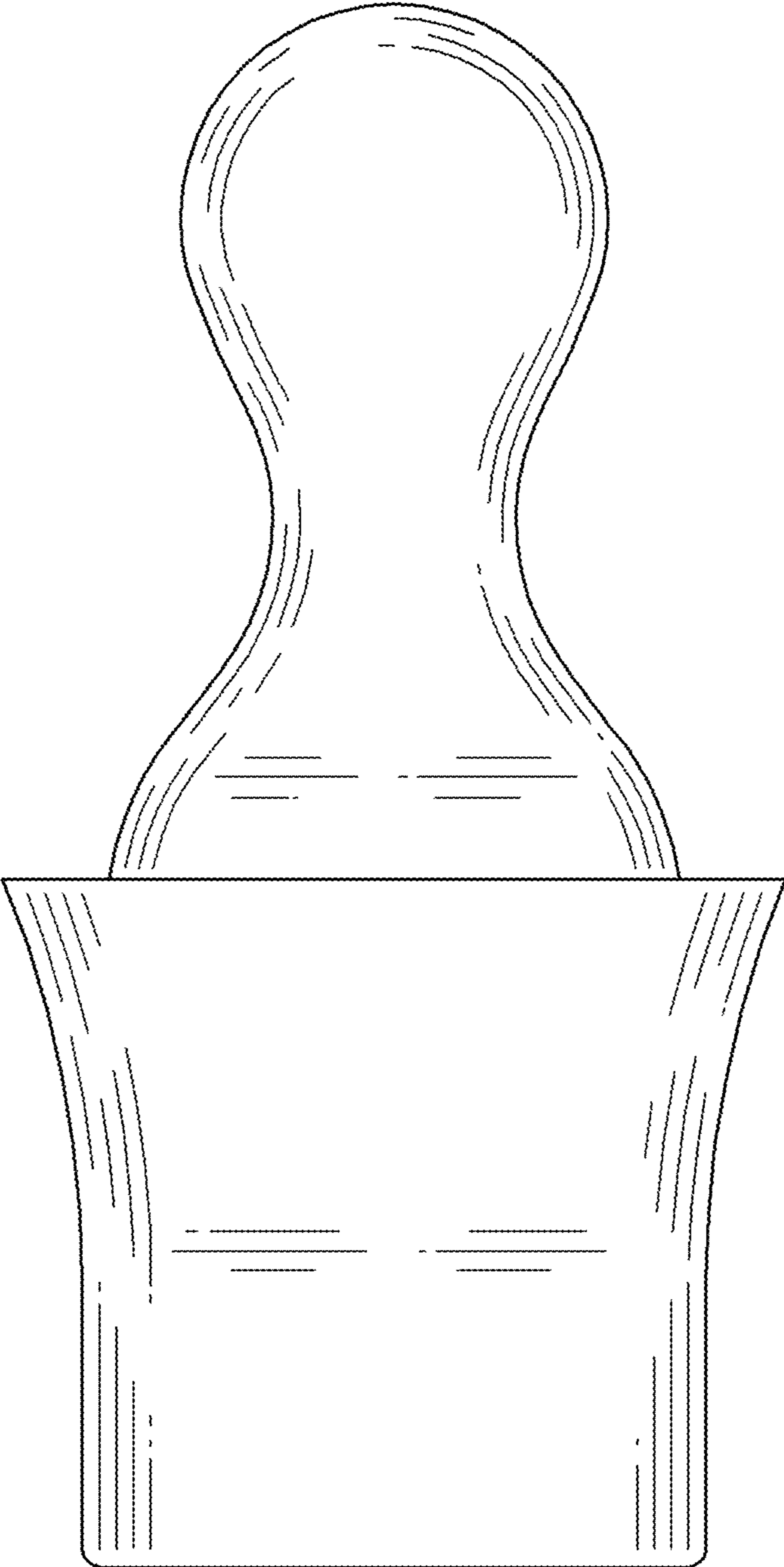


FIG. 3

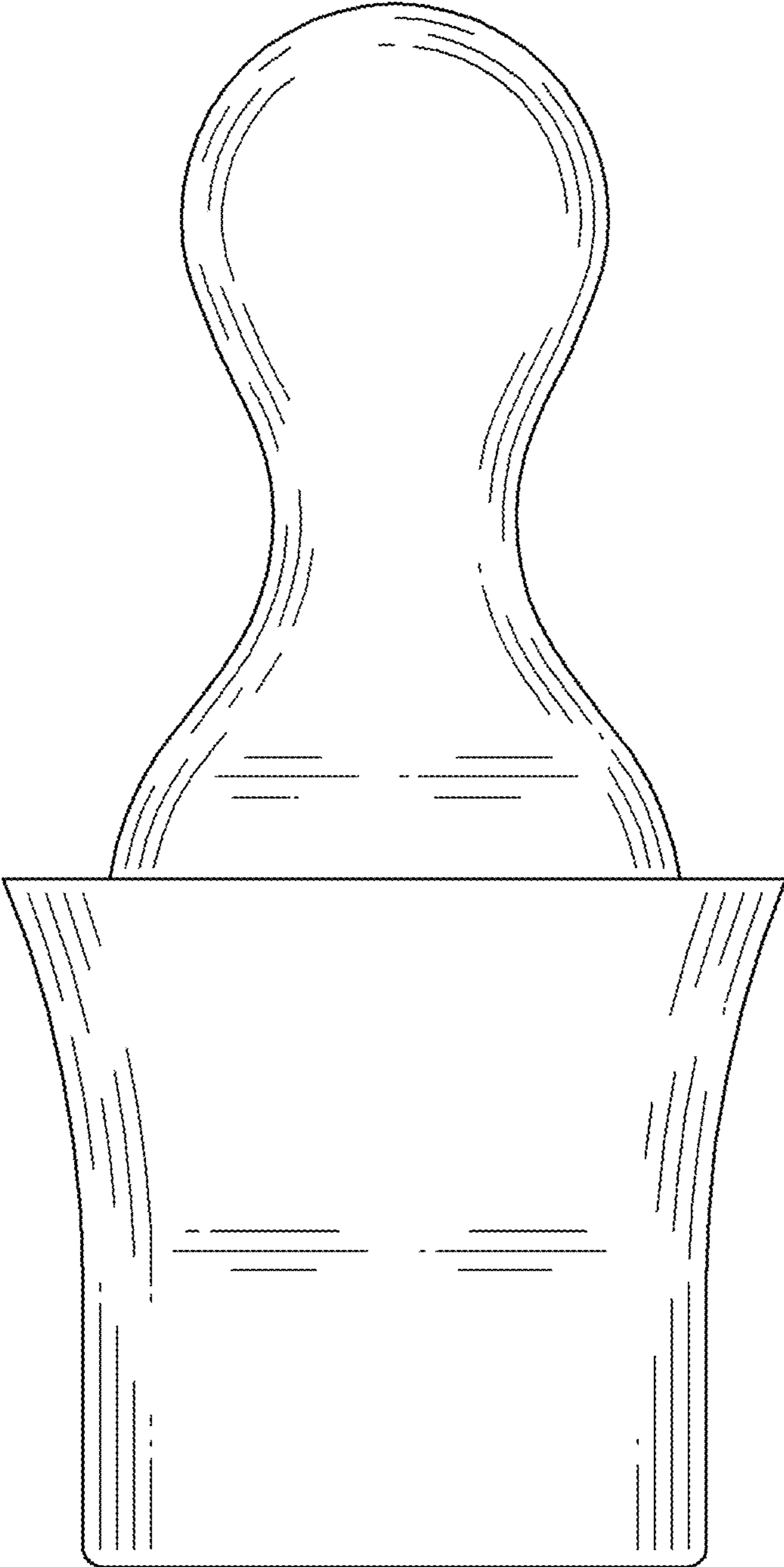


FIG. 4

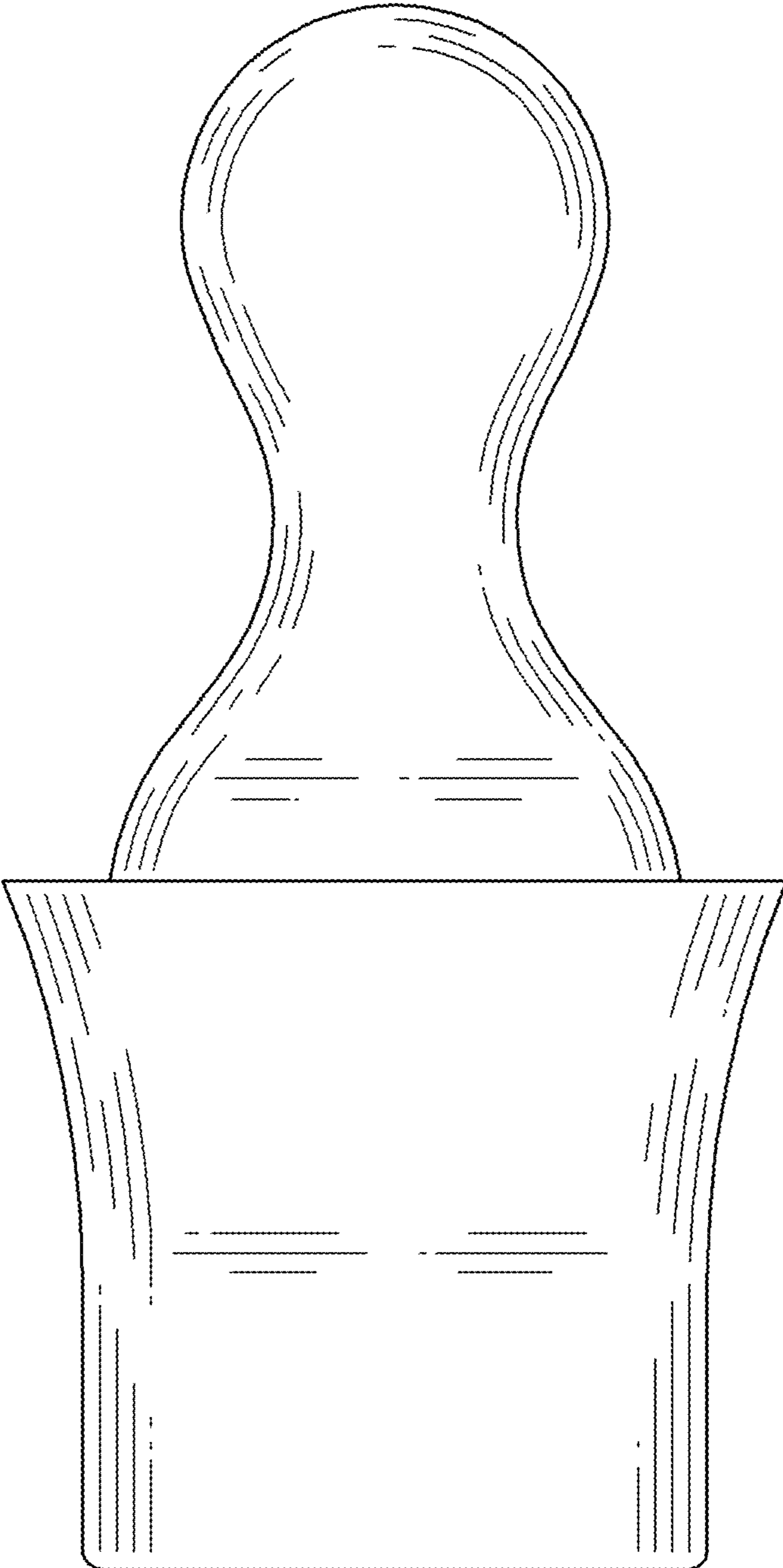


FIG. 5

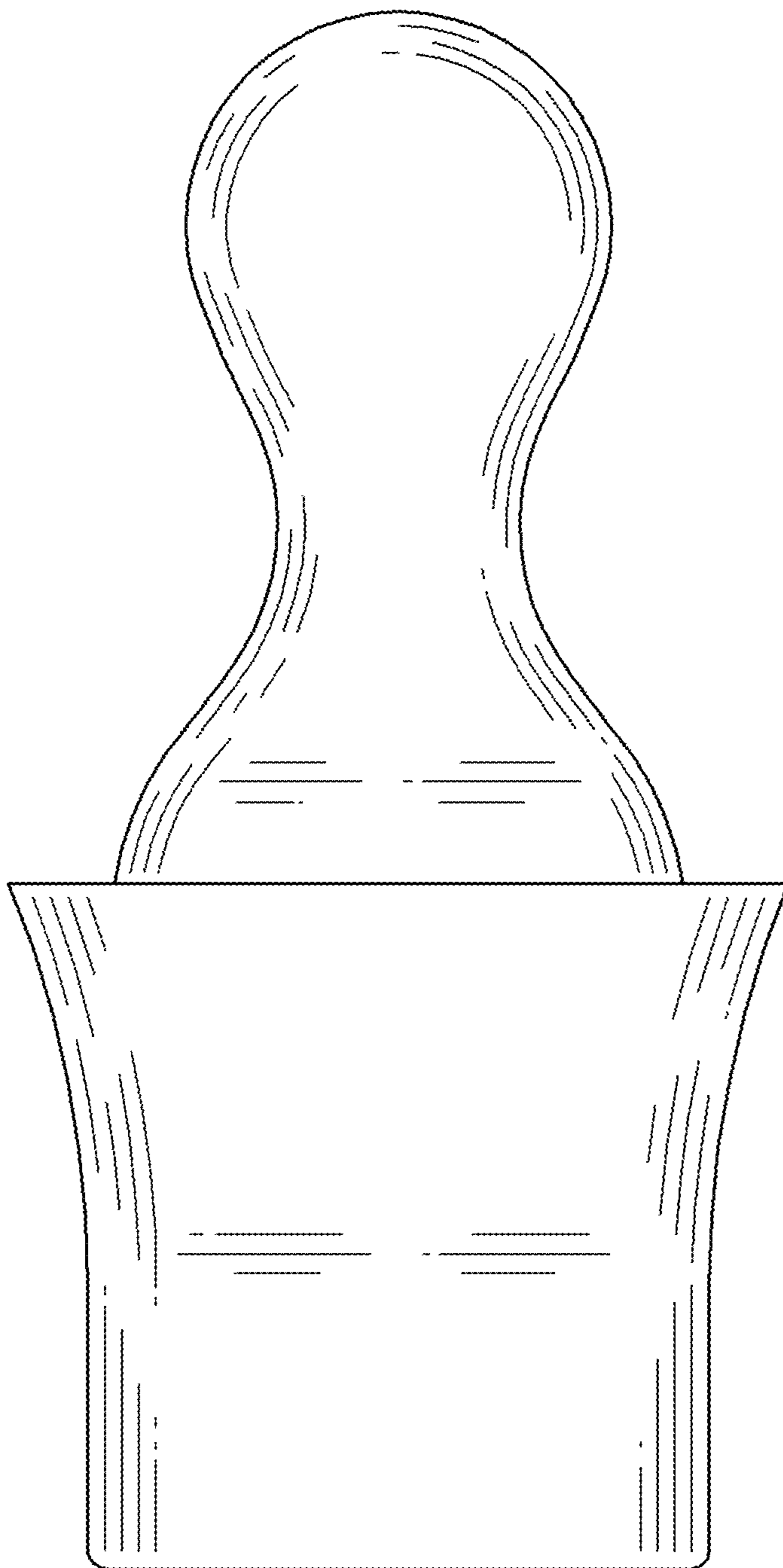


FIG. 6

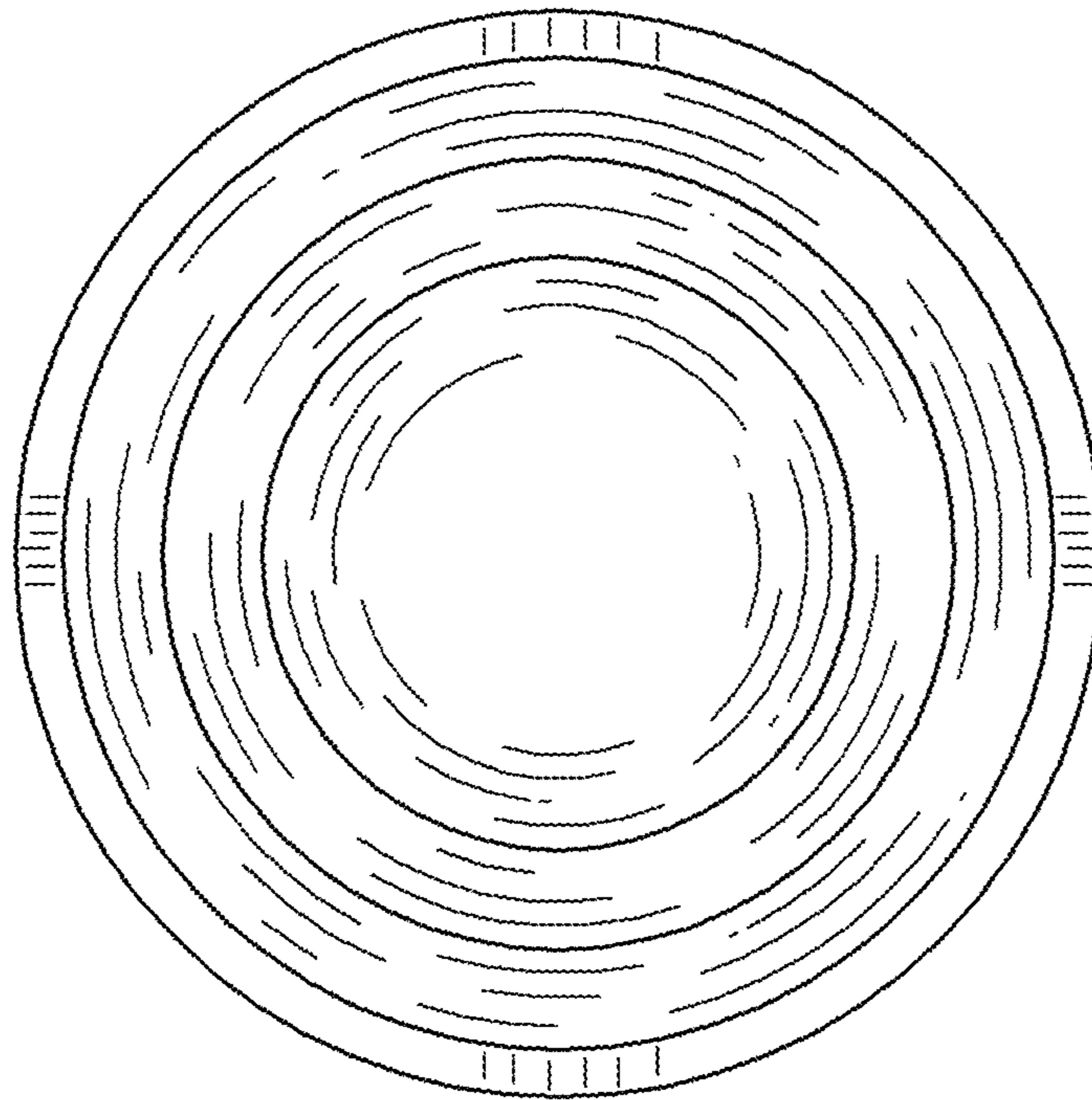


FIG. 7

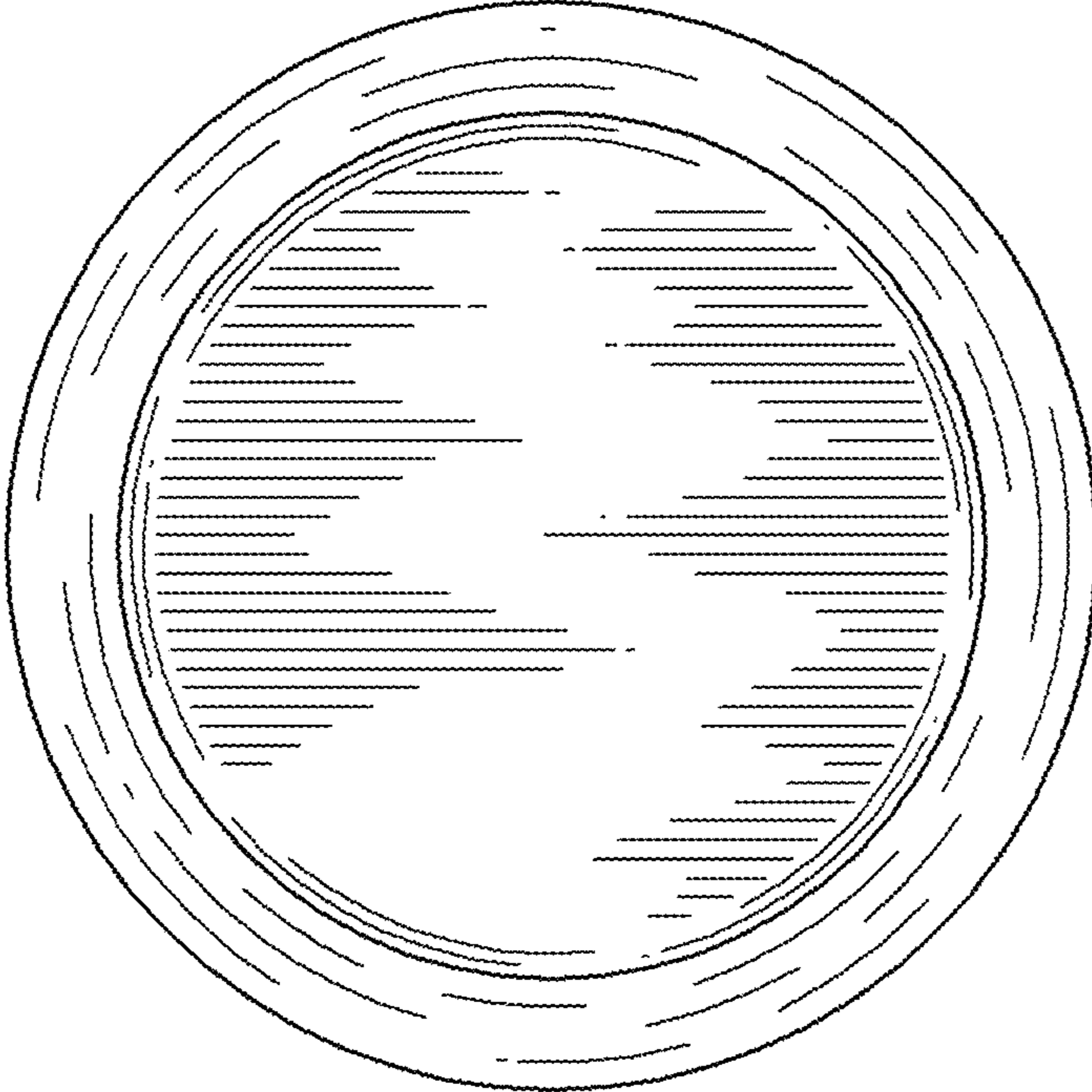


FIG. 8

