



US00D833149S

(12) **United States Design Patent** (10) **Patent No.:** **US D833,149 S**  
**Sofy et al.** (45) **Date of Patent:** **\*\* Nov. 13, 2018**

(54) **STORAGE CONTAINER LID**

- (71) Applicant: **HMS Manufacturing Co.**, Troy, MI (US)
- (72) Inventors: **Janet M. Sofy**, Troy, MI (US); **Todd M. Lajewski**, Lapeer, MI (US)
- (\*\*) Term: **15 Years**
- (21) Appl. No.: **29/567,063**
- (22) Filed: **Jun. 6, 2016**

**Related U.S. Application Data**

- (63) Continuation-in-part of application No. 29/514,209, filed on Jan. 9, 2015, now Pat. No. Des. 790,337.
- (51) **LOC (11) Cl.** ..... **03-01**
- (52) **U.S. Cl.**  
USPC ..... **D3/323**; D3/318; D9/435
- (58) **Field of Classification Search**  
USPC ..... D9/434, 435, 443, 453, 456, 499, 424, D9/425, 432; D7/387, 392.1, 538, 629; D3/318, 302, 323; D28/73  
CPC .. A61J 1/00; A61J 1/1412; B65D 1/00; B65D 1/02; B65D 1/10; B65D 1/46; B65D 2585/56; B65D 2585/545; B65D 41/00; B65D 41/38; B65D 41/56; B65D 41/62; B65D 47/00; B65D 47/06; B65D 47/08; B65D 2543/00046; B65D 2543/00092; B65D 2543/00296; B65D 5/46; B65D 2251/00  
See application file for complete search history.

(56) **References Cited**

**U.S. PATENT DOCUMENTS**

- D218,658 S \* 9/1970 Perkins et al. .... D3/302
  - D239,695 S \* 4/1976 Fier, Jr. .... D3/302
- (Continued)

**OTHER PUBLICATIONS**

Lowe's "Hefty 18-Gallon Gray Tote with Latching Lid" (online) earliest customer review dated Jul. 29, 2015. Retrieved from Internet on Mar. 14, 2018, URL: <https://www.lowes.com/pd/Hefty-18-Gallon-Gray-Tote-with-Latching-Lid/50385538> (6 pages).\*

(Continued)

*Primary Examiner* — Michael A. Pratt  
*Assistant Examiner* — Wendy L Arminio  
 (74) *Attorney, Agent, or Firm* — Dickinson Wright PLLC

(57) **CLAIM**

The ornamental design for a storage container lid, as shown and described.

**DESCRIPTION**

FIG. 1 is a top perspective view of a first embodiment of a storage container lid showing my new design;  
 FIG. 2 is a top plan view thereof;  
 FIG. 3 is a bottom plan view thereof;  
 FIG. 4 is a front view thereof;  
 FIG. 5 is a side view thereof;  
 FIG. 6 is a top perspective view of a second embodiment of the storage container lid of FIG. 1;  
 FIG. 7 is a top plan view thereof;  
 FIG. 8 is a bottom plan view thereof;  
 FIG. 9 is a front view thereof;  
 FIG. 10 is a side view thereof;  
 FIG. 11 is a top perspective view of a third embodiment of the storage container lid of FIG. 1;  
 FIG. 12 is a top plan view thereof;  
 FIG. 13 is a bottom plan view thereof;  
 FIG. 14 is a front view thereof; and,  
 FIG. 15 is a side view thereof.

The dot-dot-dash broken lines in FIGS. 1, 6, and 11 illustrating a container depict environment only and form no part of the claimed design. All other broken lines in the drawings depict portions of the storage container lid that form no part of the claimed design.

**1 Claim, 12 Drawing Sheets**

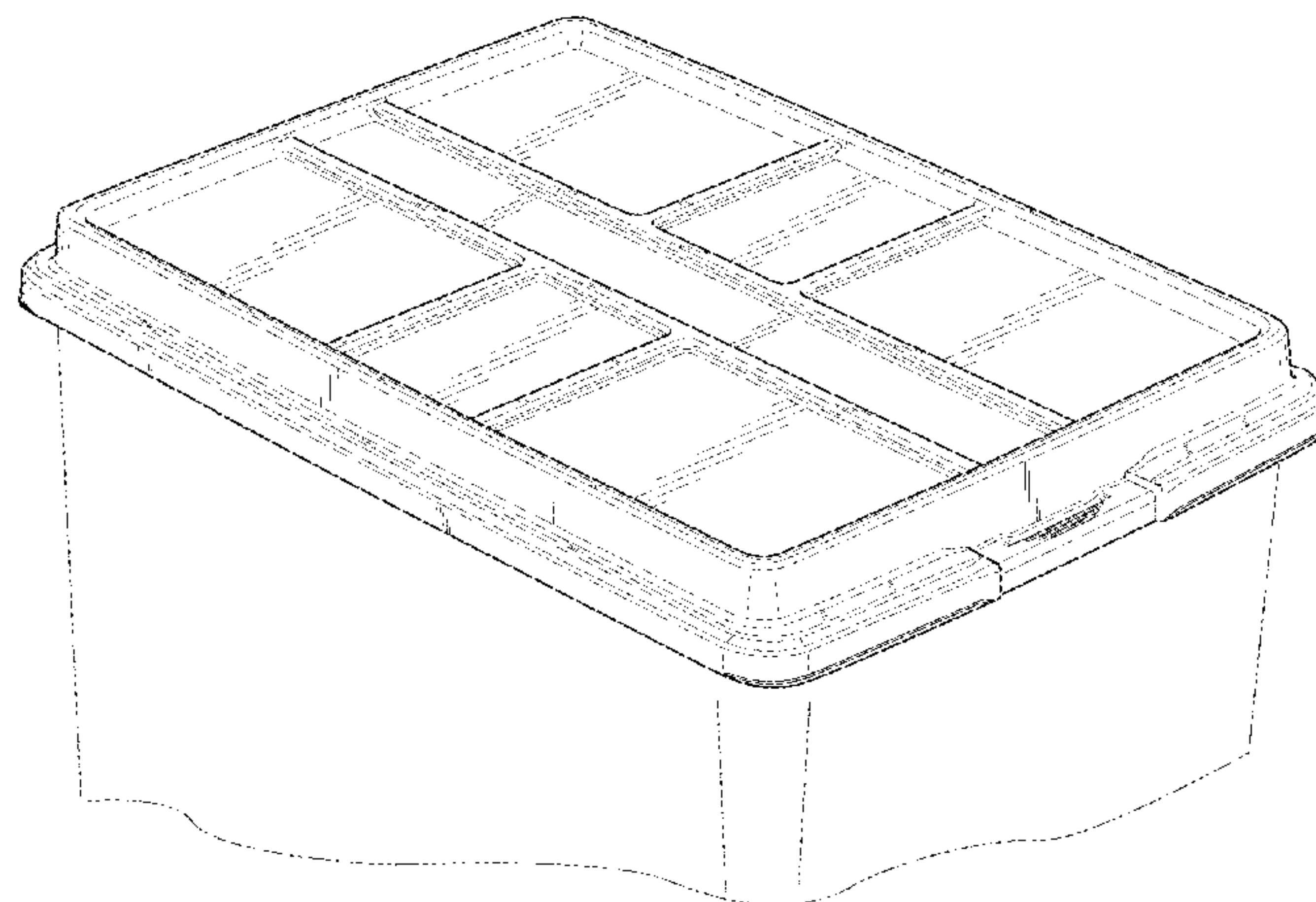
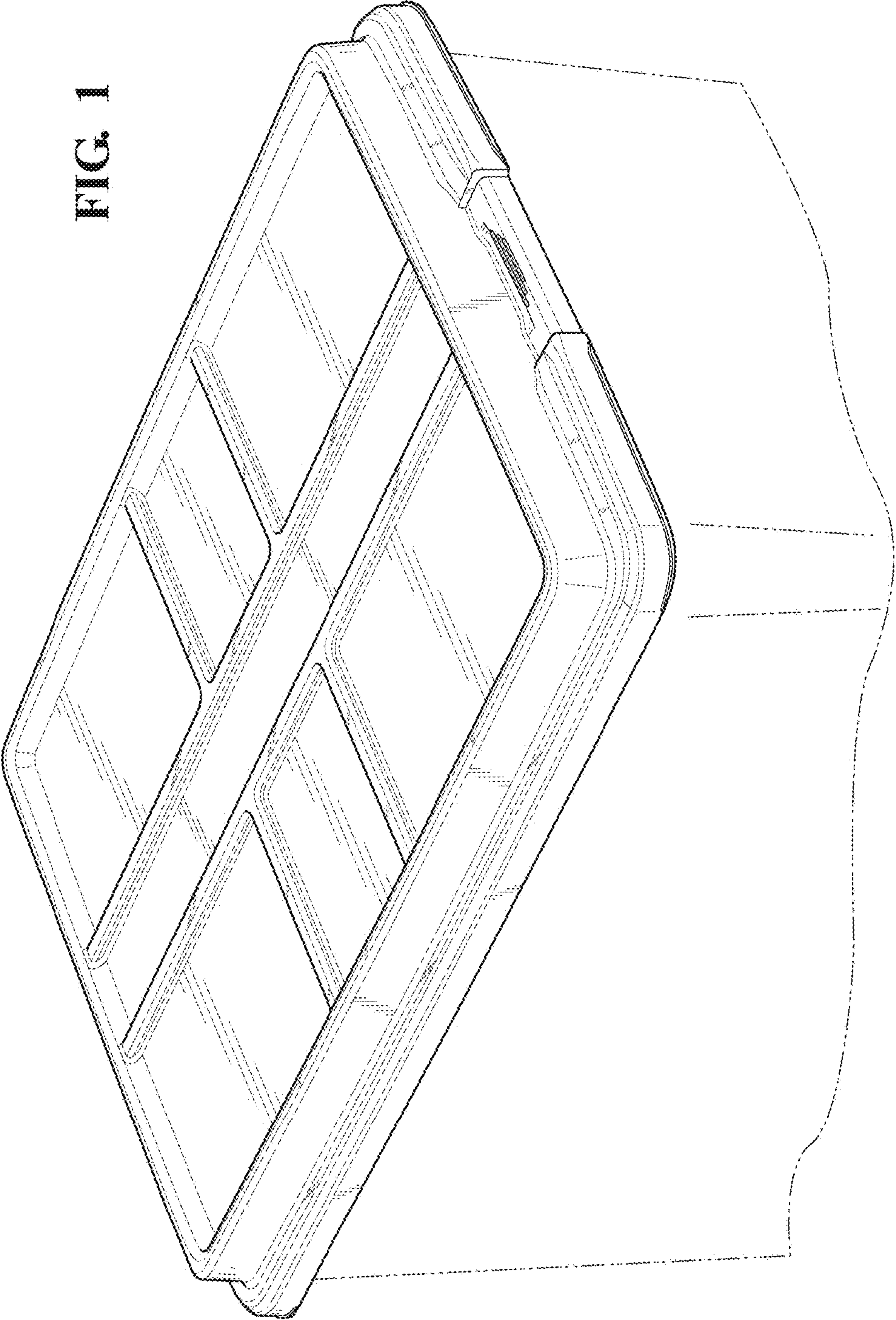




FIG. 1





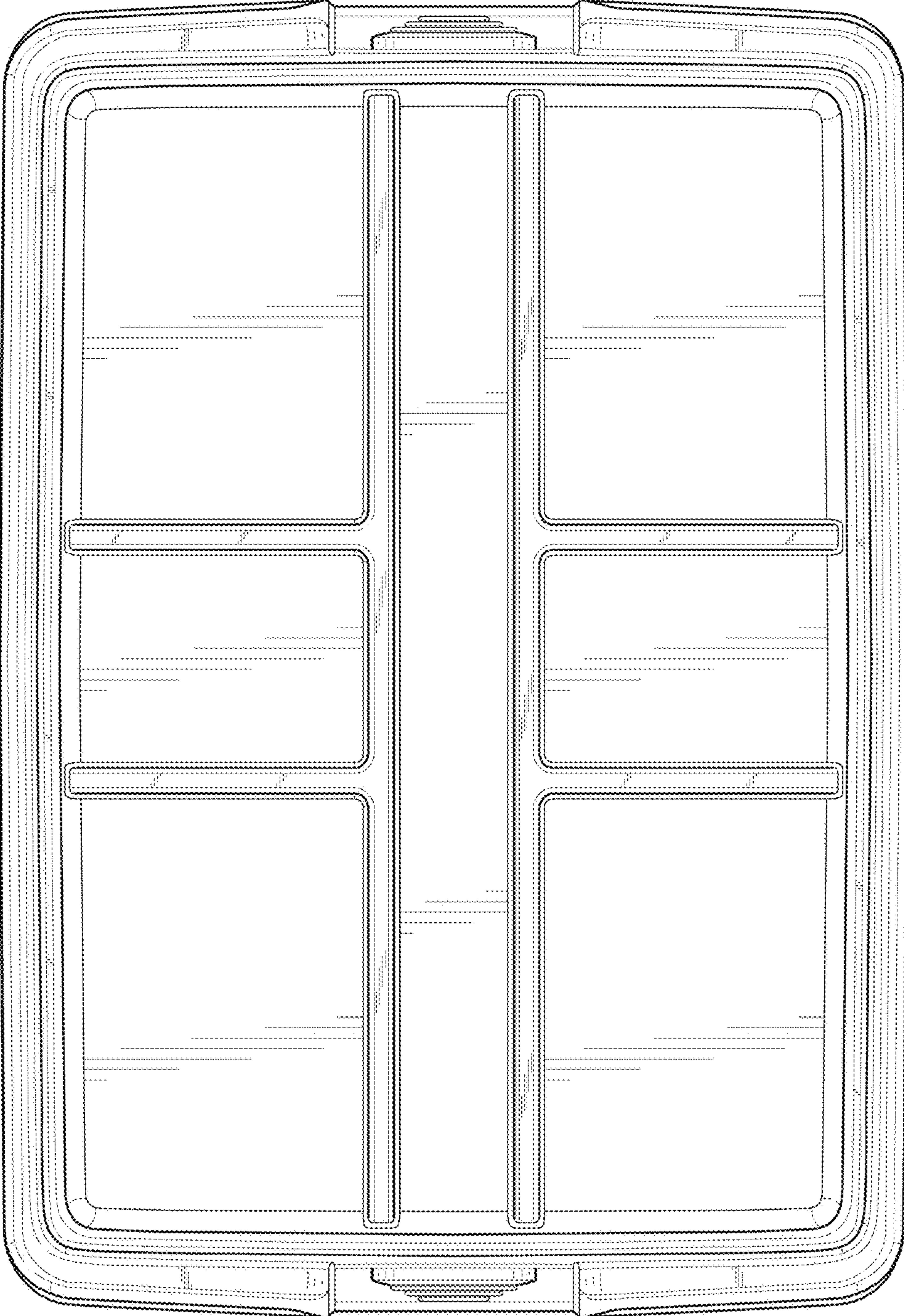


FIG. 2

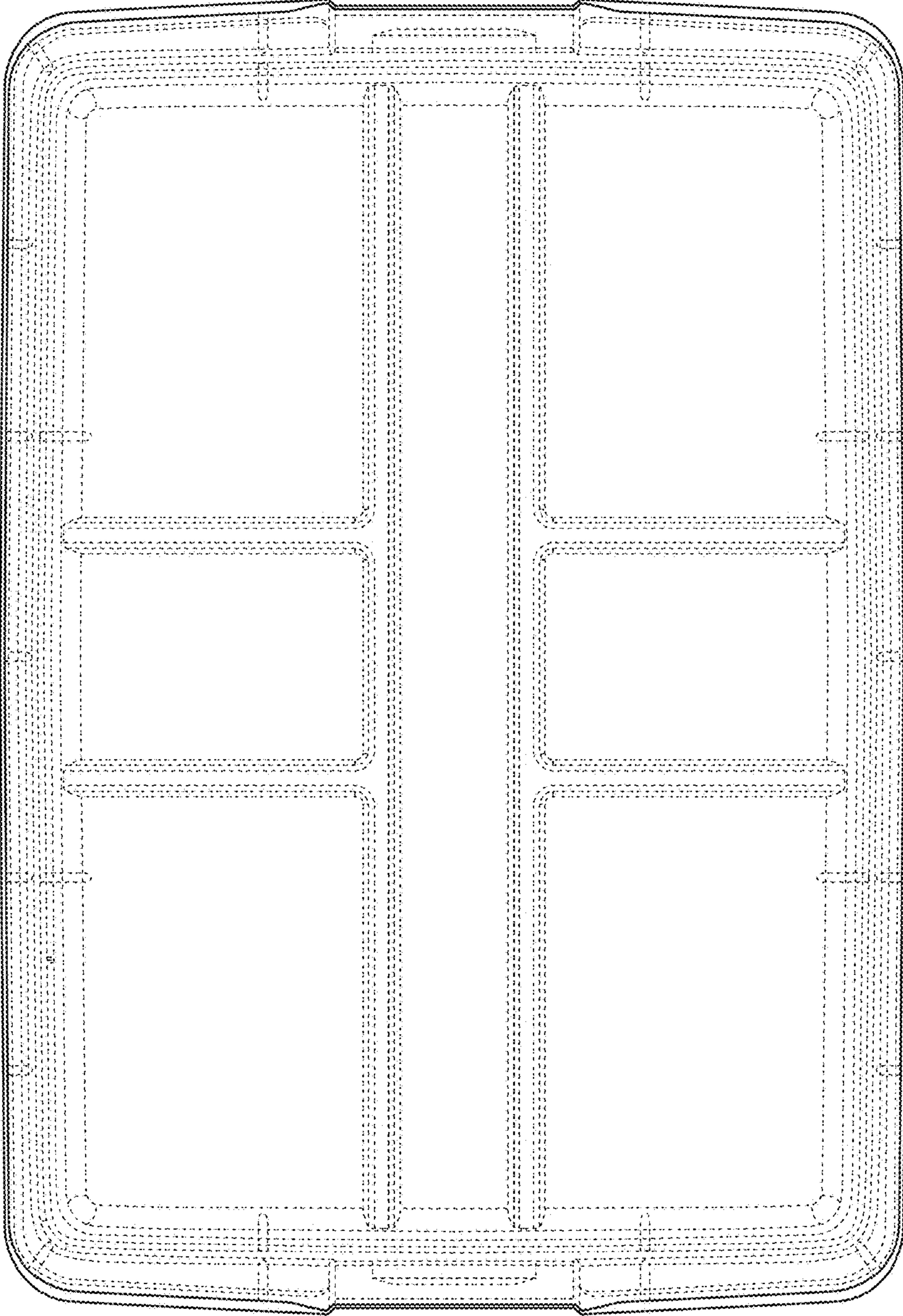


FIG. 3

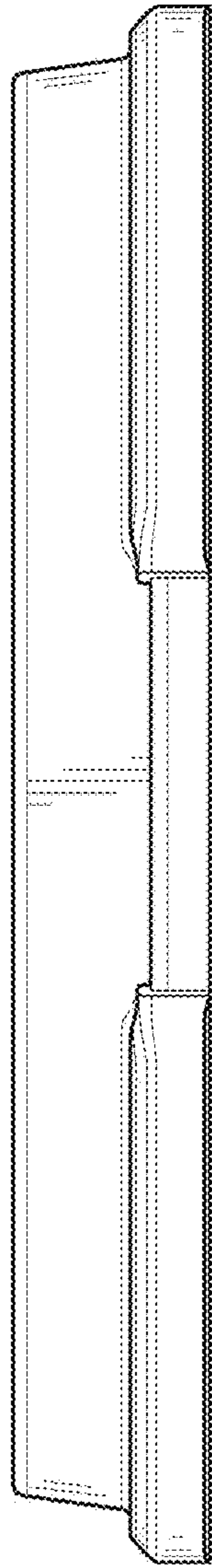


FIG. 4

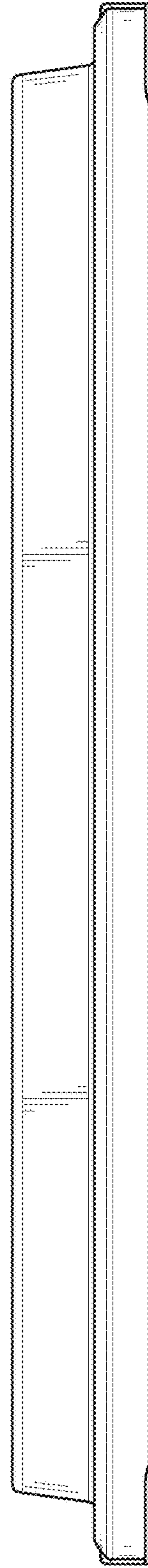
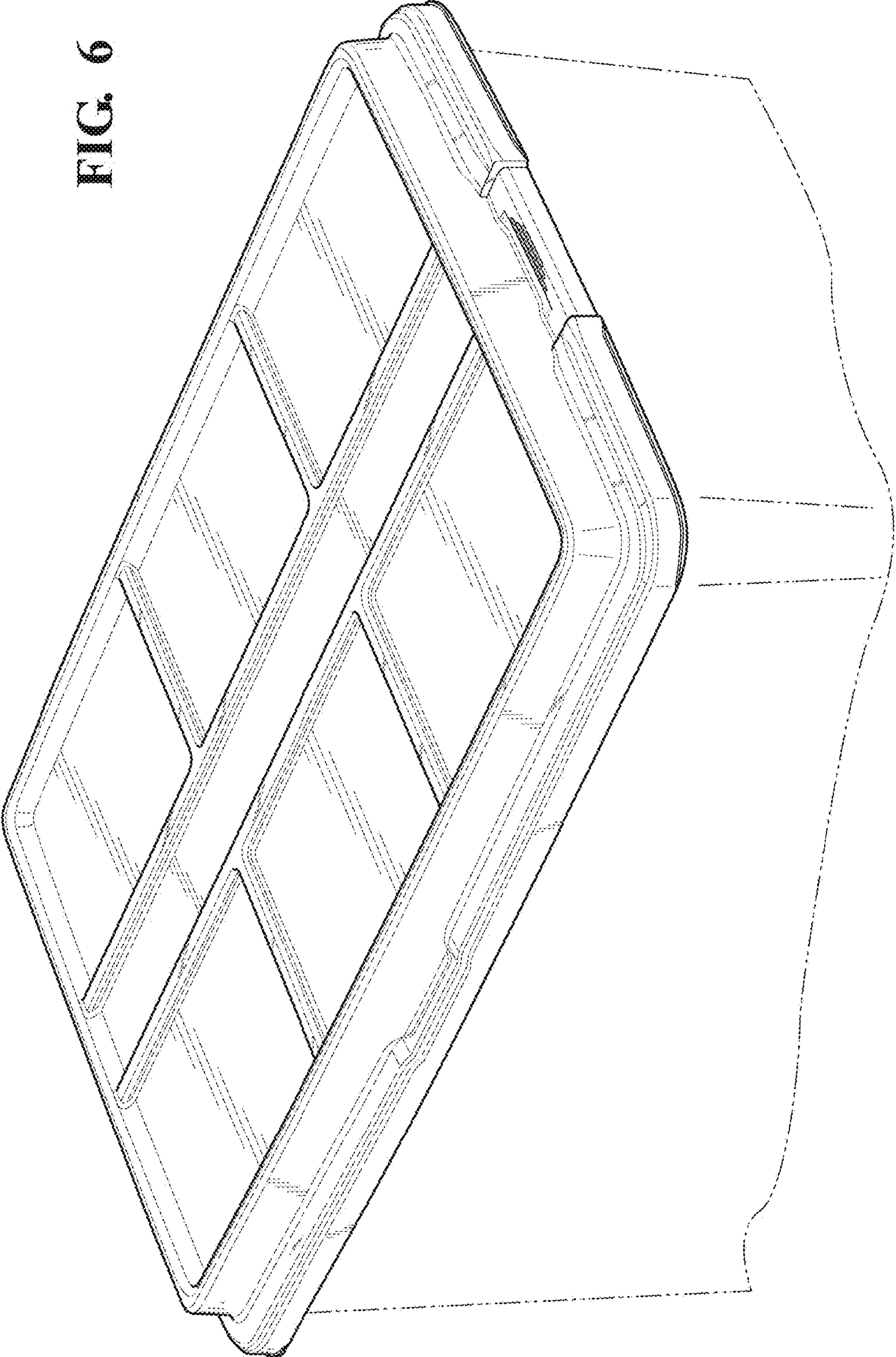


FIG. 5



FIG. 6



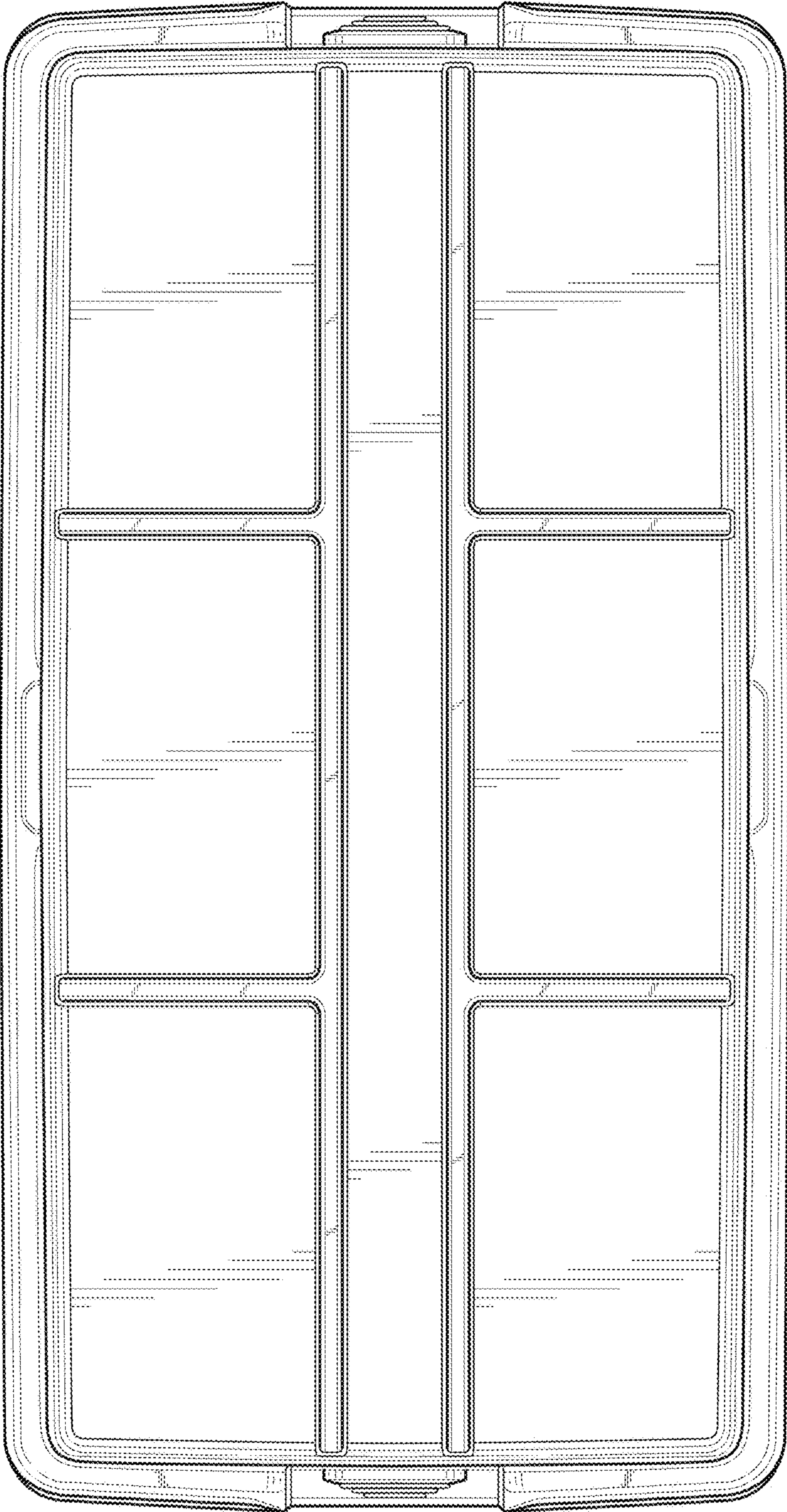


FIG. 7



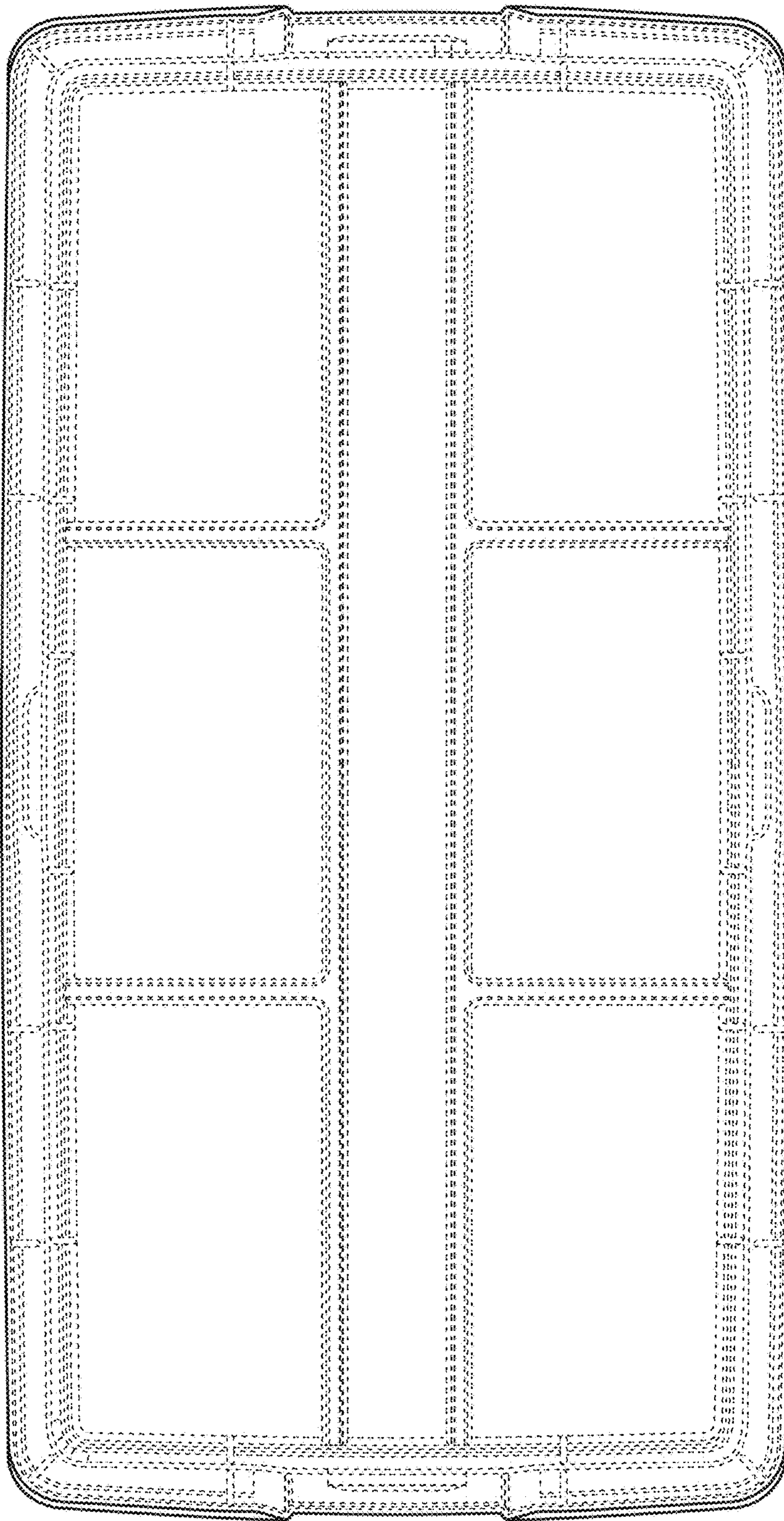


FIG. 8

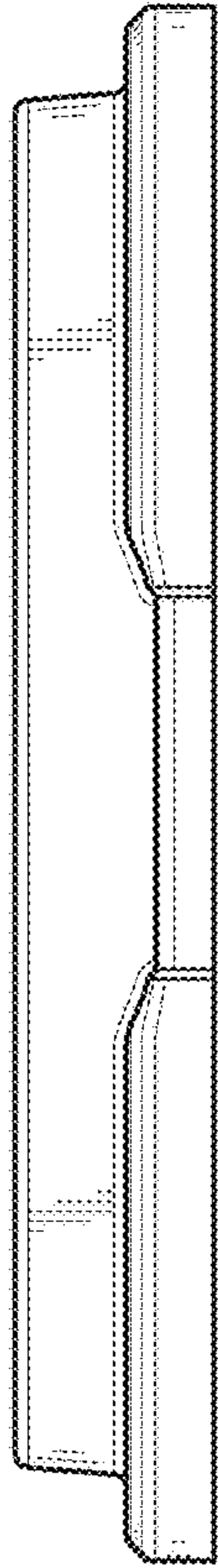


FIG. 9

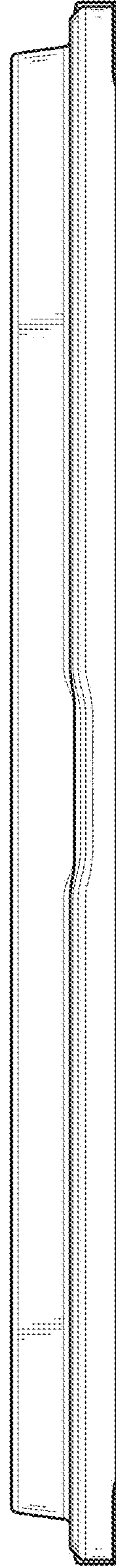
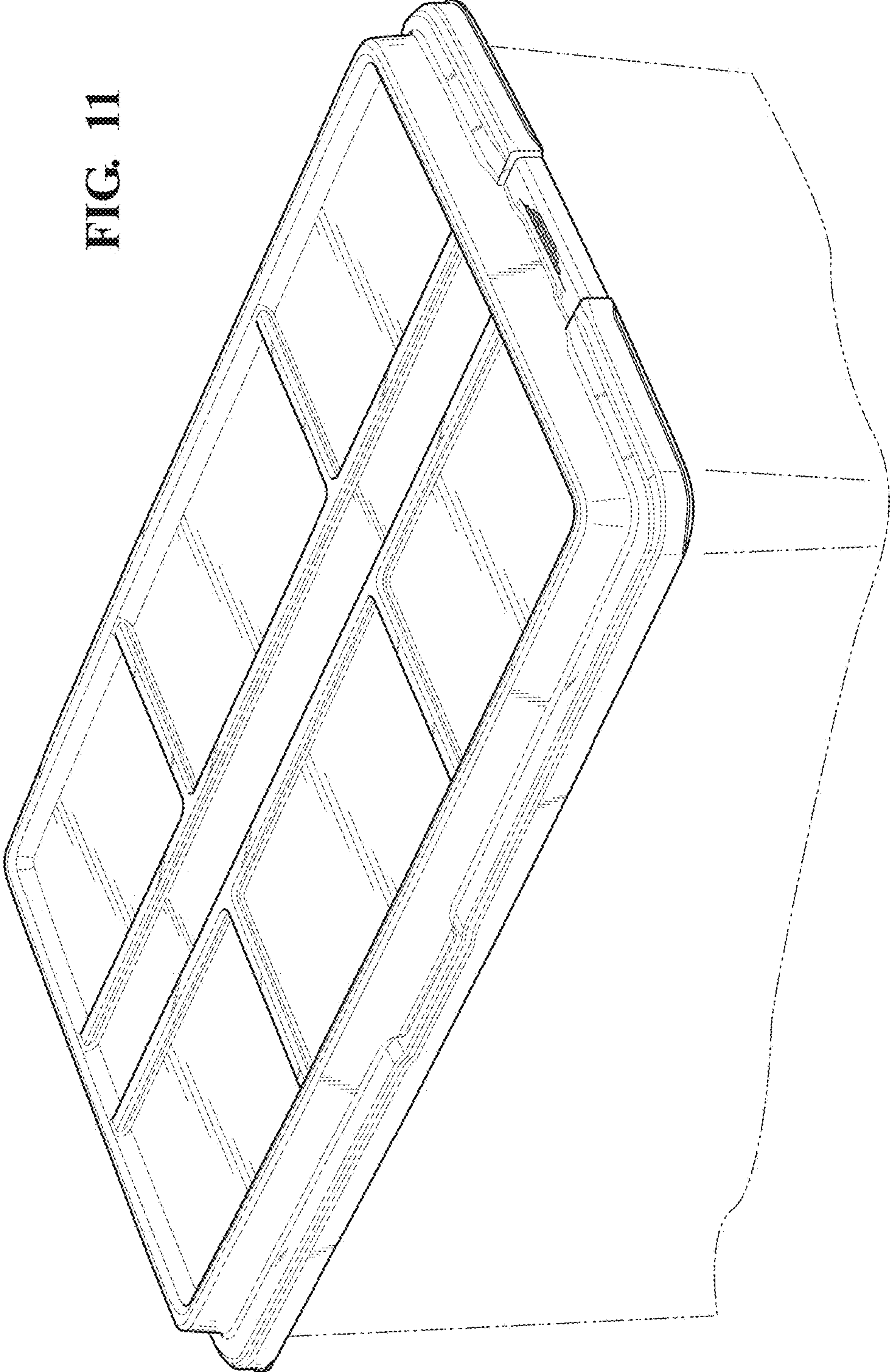


FIG. 10

FIG. 11





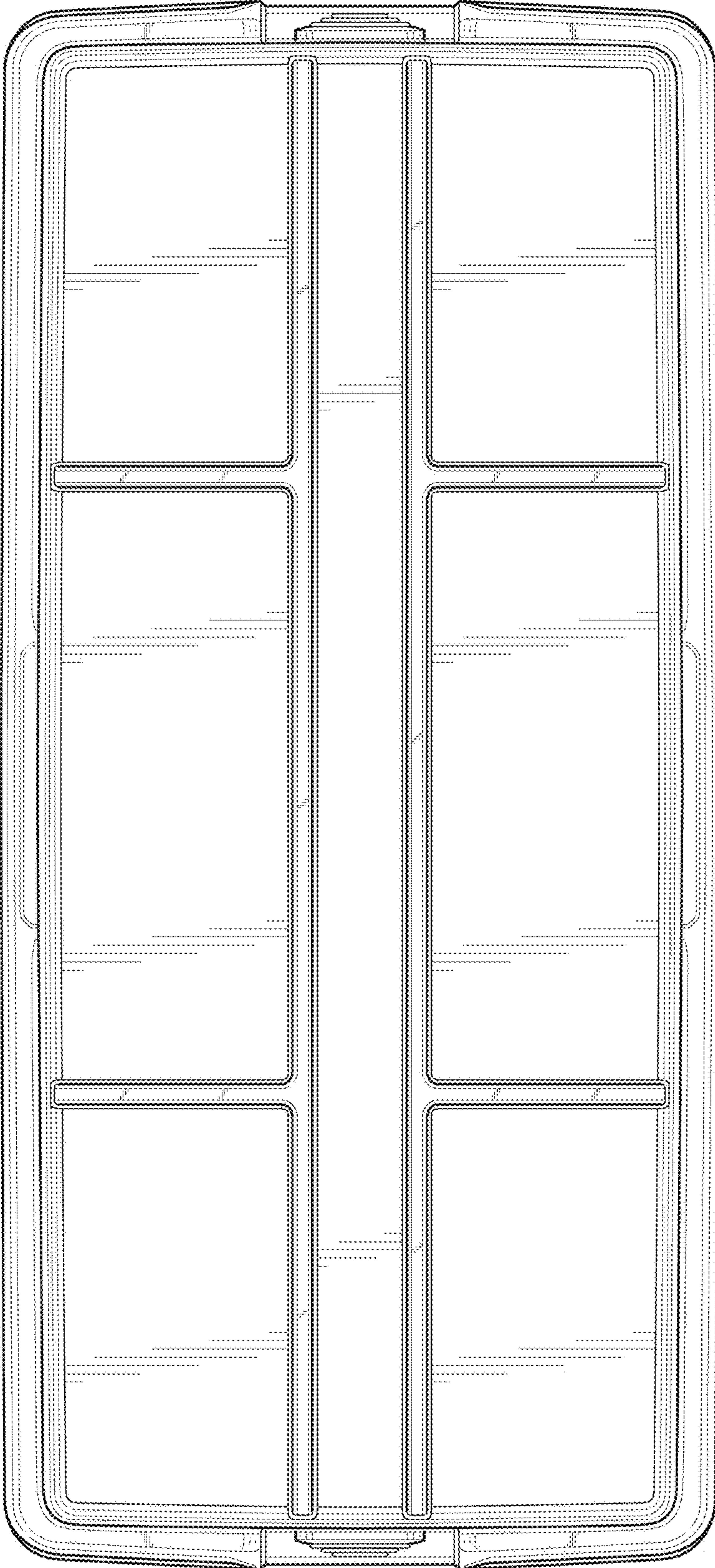


FIG. 12

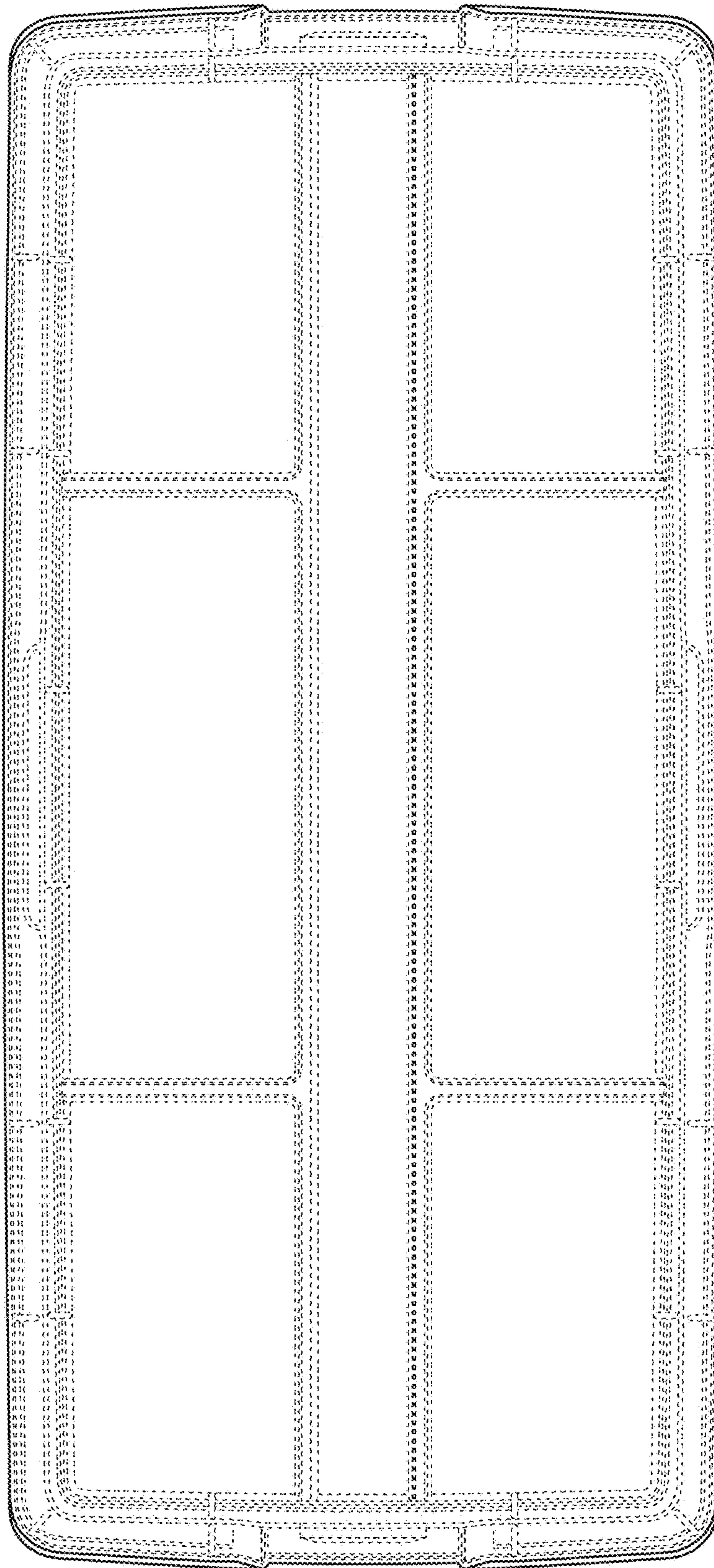


FIG. 13

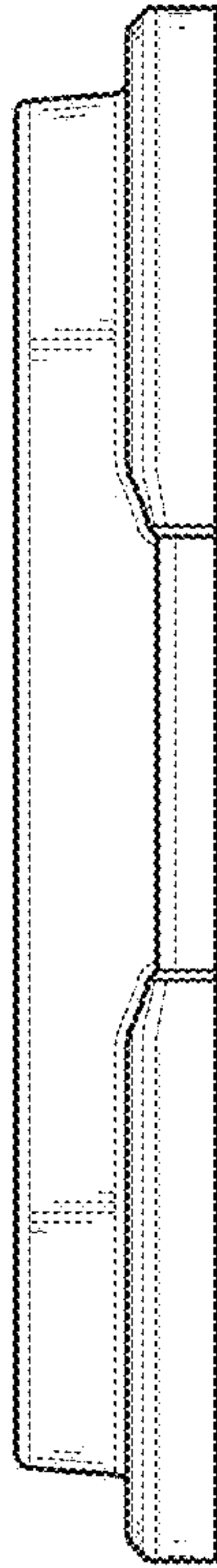


FIG. 14

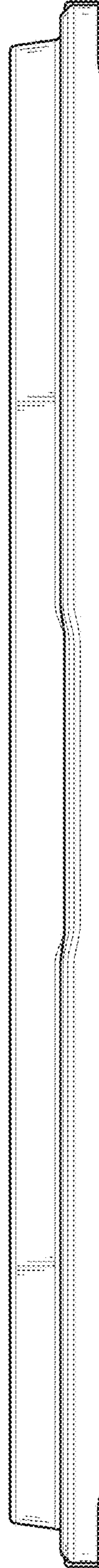


FIG. 15