



US00D833148S

(12) **United States Design Patent** (10) **Patent No.:** **US D833,148 S**
Fusi (45) **Date of Patent:** **** Nov. 13, 2018**

(54) **FLAP FOR HANDBAG**
(71) Applicant: **FURLA S.p.A.**, Bologna (IT)
(72) Inventor: **Fabio Fusi**, Tavarnelle Val di Pesa (IT)
(73) Assignee: **FURLA S.p.A.** (IT)
(**) Term: **15 Years**

D650,991 S * 12/2011 Yuson D3/318
8,403,011 B1 * 3/2013 McKendry A45C 3/08
150/100
D713,645 S * 9/2014 Wang D3/318
D749,850 S * 2/2016 Kuster D3/318
D758,733 S * 6/2016 Hannon D3/318
D778,600 S * 2/2017 Heyman D3/243
D783,276 S * 4/2017 Murri D3/243

(21) Appl. No.: **29/588,515**
(22) Filed: **Dec. 21, 2016**

FOREIGN PATENT DOCUMENTS

EM 003294768 7/2016

(30) **Foreign Application Priority Data**

Jun. 21, 2016 (EM) 003232198-0038
Jun. 21, 2016 (EM) 003232198-0039
Jun. 21, 2016 (EM) 003232198-0040
Jun. 21, 2016 (EM) 003232198-0041
Jun. 21, 2016 (EM) 003232198-0042
Jun. 21, 2016 (EM) 003232198-0043
Jun. 21, 2016 (EM) 003232198-0044
Jun. 21, 2016 (EM) 003232198-0045
Jun. 21, 2016 (EM) 003232198-0046

OTHER PUBLICATIONS

U.S. Appl. No. 29/588,519, filed Dec. 21, 2016 (unpublished).
U.S. Appl. No. 29/588,528, filed Dec. 21, 2016 (unpublished).
U.S. Appl. No. 29/589,898, filed Jan. 5, 2017 (unpublished).
U.S. Appl. No. 29/589,905, filed Jan. 5, 2017 (unpublished).

(51) **LOC (11) Cl.** **03-01**
(52) **U.S. Cl.**
USPC **D3/318**

* cited by examiner

Primary Examiner — Holly H Baynham
(74) *Attorney, Agent, or Firm* — Saidman DesignLaw Group, LLC

(58) **Field of Classification Search**
USPC D3/232–233, 240–243, 245–246, 318
CPC A45C 1/024; A45C 3/06
See application file for complete search history.

(57) **CLAIM**

The ornamental design for a flap for handbag, as shown and described.

(56) **References Cited**

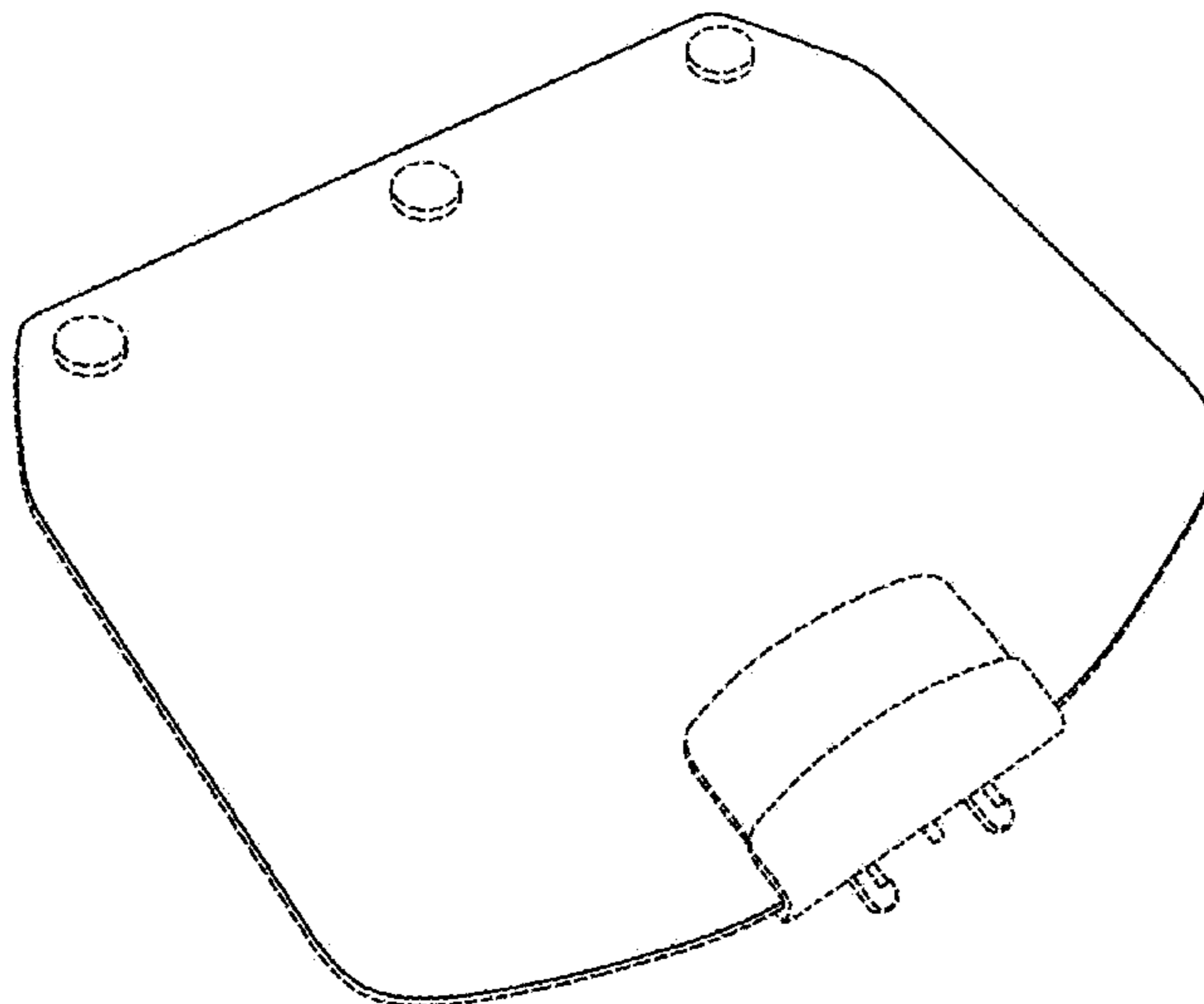
U.S. PATENT DOCUMENTS

D63,044 S * 6/1922 Rowan D3/240
5,503,204 A * 4/1996 Byers A45C 3/08
150/103
D507,881 S * 8/2005 Kotorov D3/326
D596,849 S * 7/2009 Billauer D3/232
D643,621 S * 8/2011 Cruckson D3/240

DESCRIPTION

FIG. 1 is a front perspective view of a flap for handbag showing my new design;
FIG. 2 is a front view thereof;
FIG. 3 is a rear view thereof;
FIG. 4 is a right side view thereof;
FIG. 5 is a left side view thereof;
FIG. 6 is a top view thereof; and,
FIG. 7 is a bottom view thereof.
The broken lines illustrate structure or features which form no part of the claimed design.

1 Claim, 5 Drawing Sheets



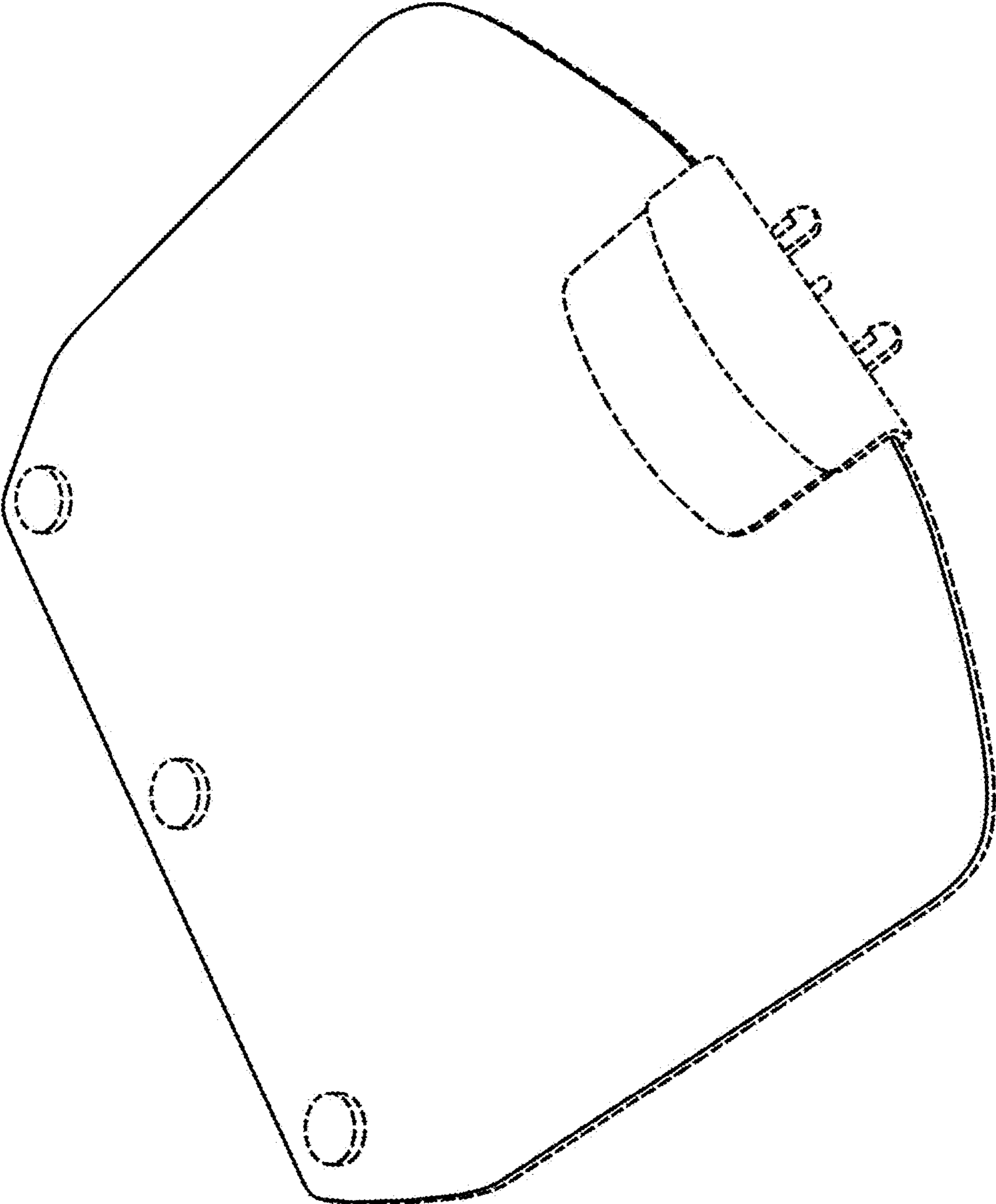


FIG.1

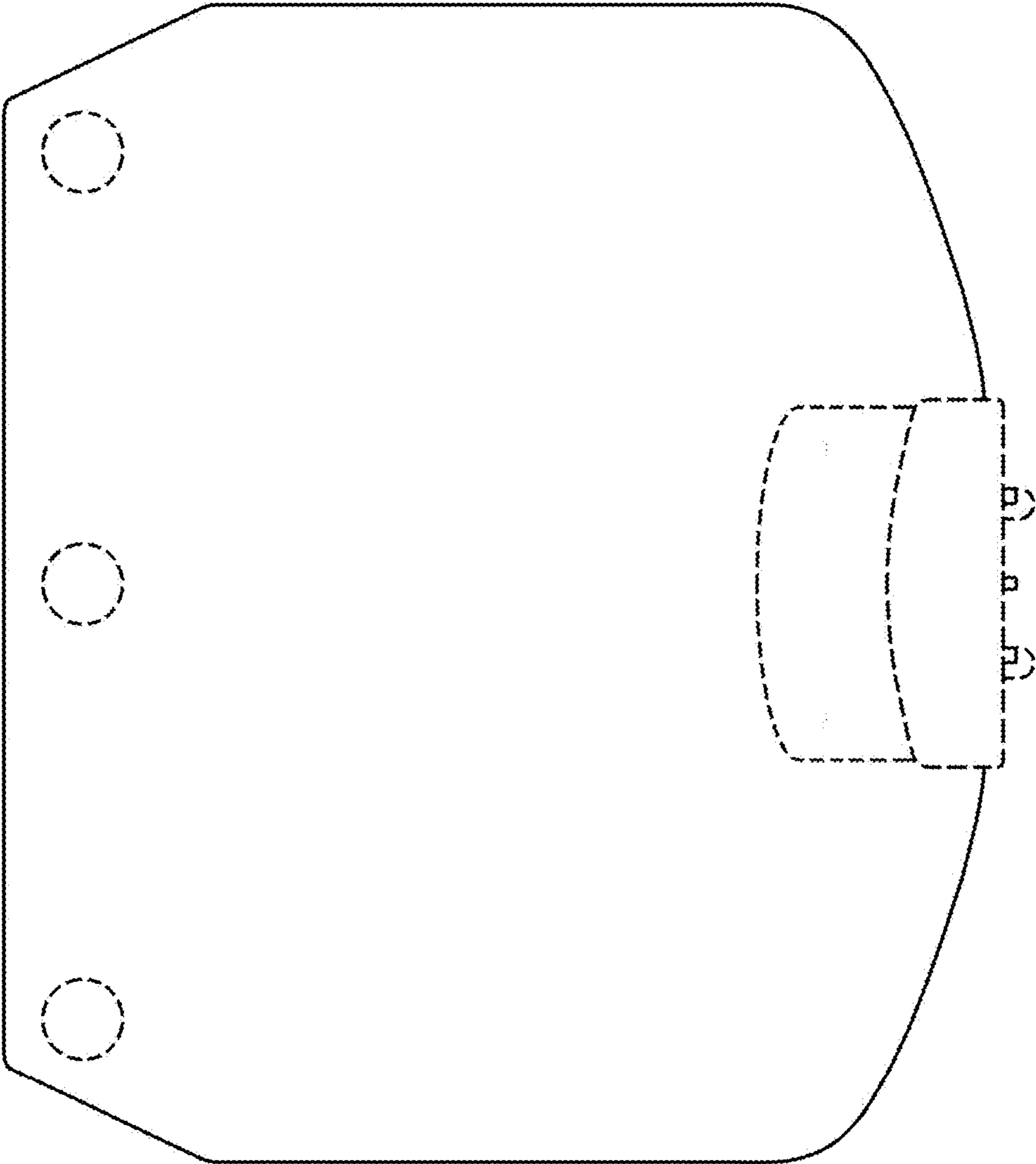


FIG.2

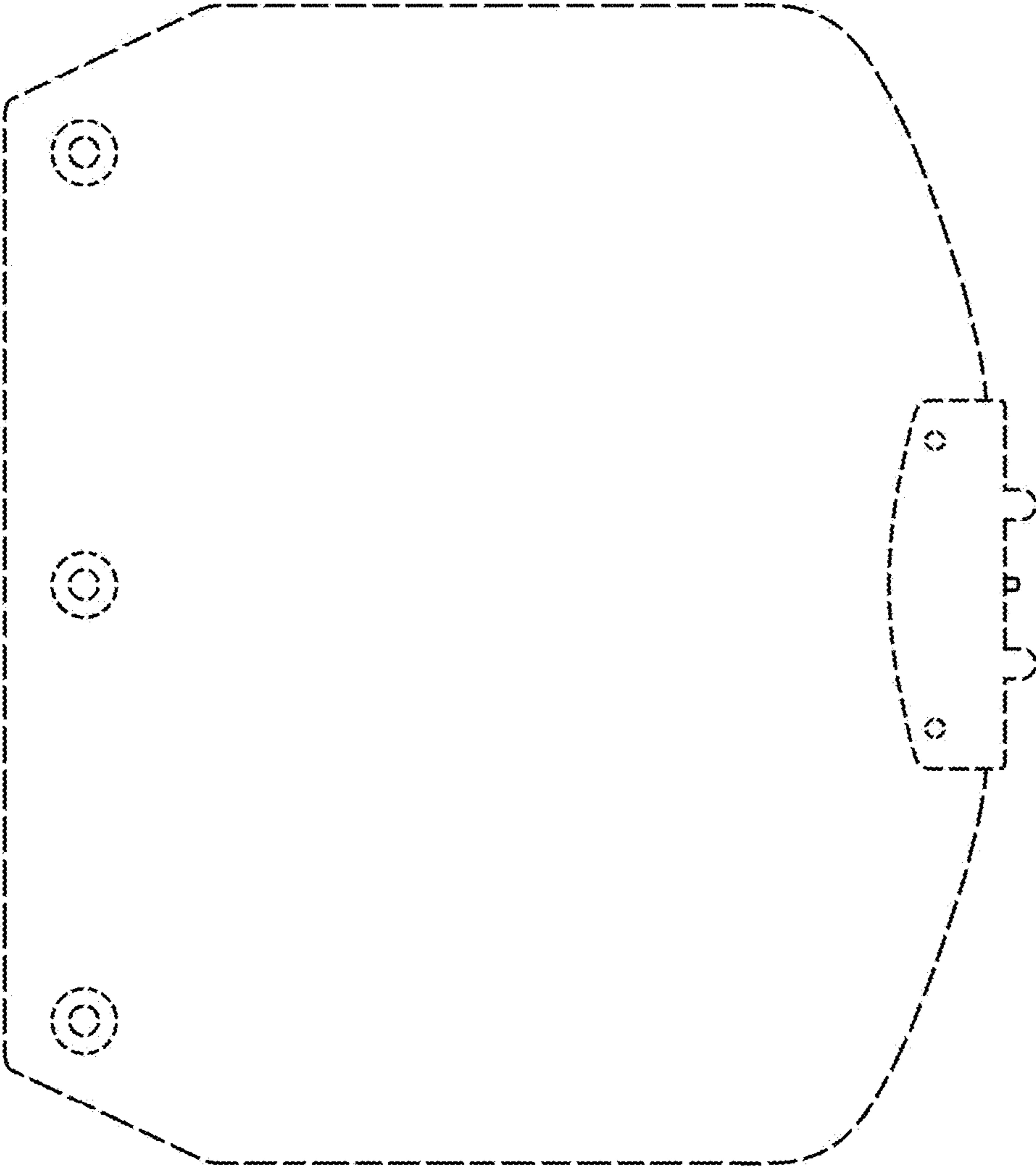


FIG.3

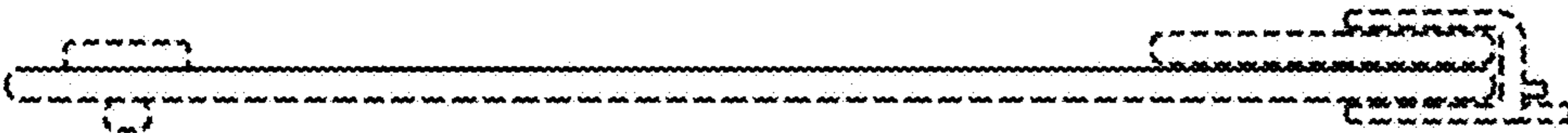


FIG.5

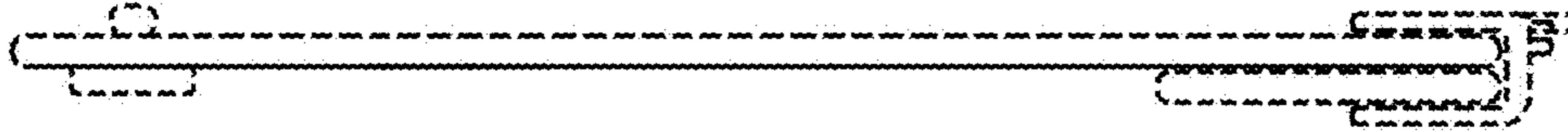


FIG.4

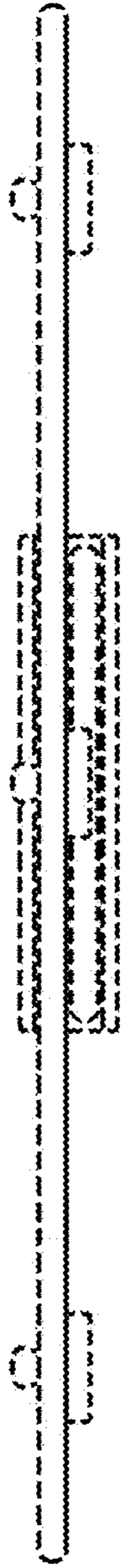


FIG. 6

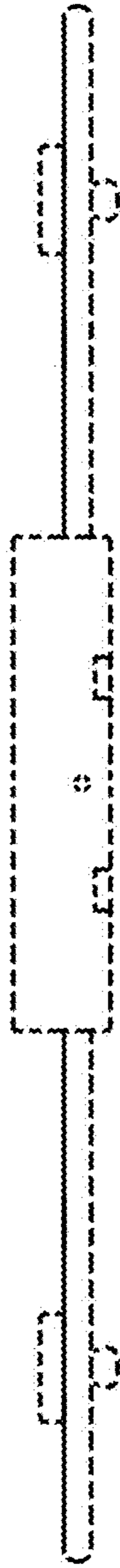


FIG. 7