



US00D833147S

(12) **United States Design Patent** (10) **Patent No.:** **US D833,147 S**  
**Smith** (45) **Date of Patent:** **\*\* Nov. 13, 2018**

(54) **STORAGE VAULT**  
(71) Applicant: **Steve Smith**, Fullerton, CA (US)  
(72) Inventor: **Steve Smith**, Fullerton, CA (US)  
(\*\*) Term: **15 Years**  
(21) Appl. No.: **29/599,303**  
(22) Filed: **Mar. 31, 2017**  
(51) **LOC (11) Cl.** ..... **09-04**  
(52) **U.S. Cl.**  
USPC ..... **D3/304**; D9/425  
(58) **Field of Classification Search**  
USPC ..... D9/414-434, 721-722; D3/272-274,  
D3/290, 304, 305, 315; D25/36  
CPC ..... B65D 5/00-5/02; B65D 5/18; B65D 5/20  
See application file for complete search history.

D339,522 S \* 9/1993 Zoss ..... D7/553.3  
D369,971 S \* 5/1996 Brauner ..... D9/428  
D439,839 S \* 4/2001 Wolf ..... D9/425  
D547,177 S \* 7/2007 Sherman ..... D9/425  
D577,996 S \* 10/2008 Isono ..... D9/428  
D690,198 S \* 9/2013 Haracourt ..... D7/602  
D696,907 S \* 1/2014 Everingham ..... D7/587  
D756,771 S \* 5/2016 Covey ..... D7/400

\* cited by examiner

*Primary Examiner* — Vy N Koenig  
(74) *Attorney, Agent, or Firm* — Andrew S. Dallmann;  
Eastman McCartney Dallmann LLP

(57) **CLAIM**

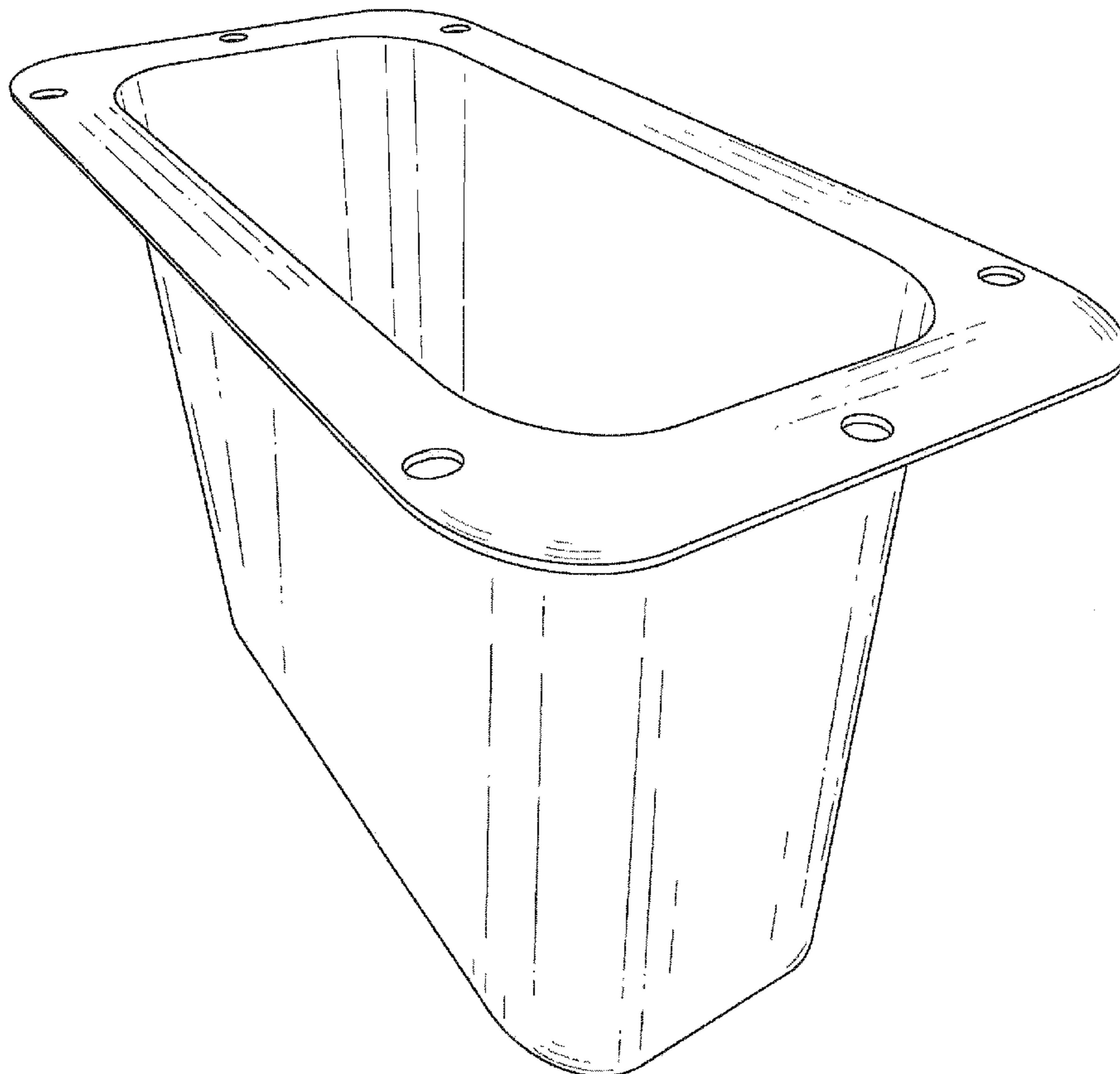
The ornamental design for a storage vault, as shown and described.

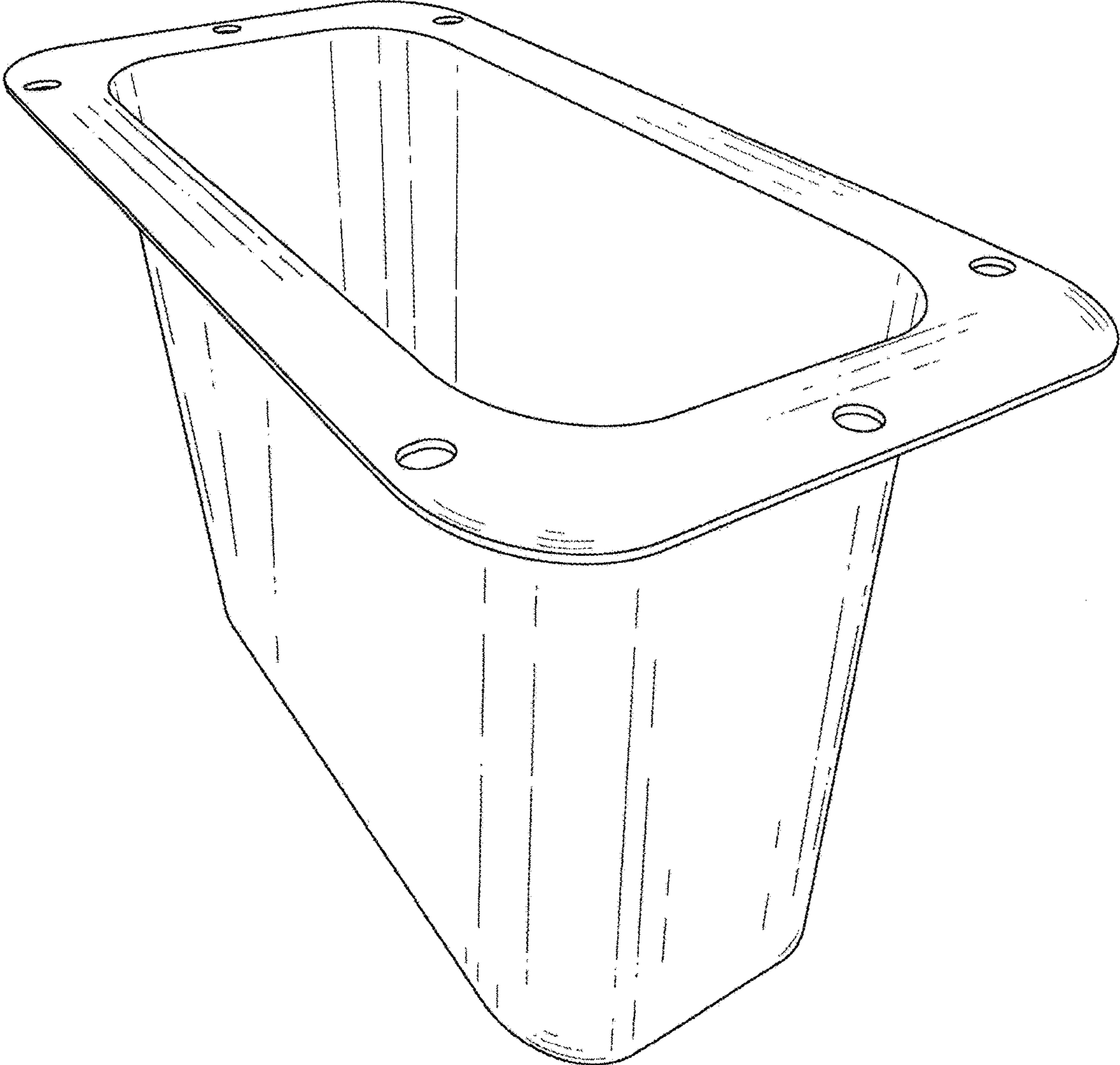
**DESCRIPTION**

FIG. 1 is a front, right and top perspective view of the storage vault showing my new design;  
FIG. 2 is a front elevation view thereof, with the rear elevation view being identical;  
FIG. 3 is a right side elevation view thereof, with the left side elevation view being identical; and,  
FIG. 4 is a top plan view thereof.

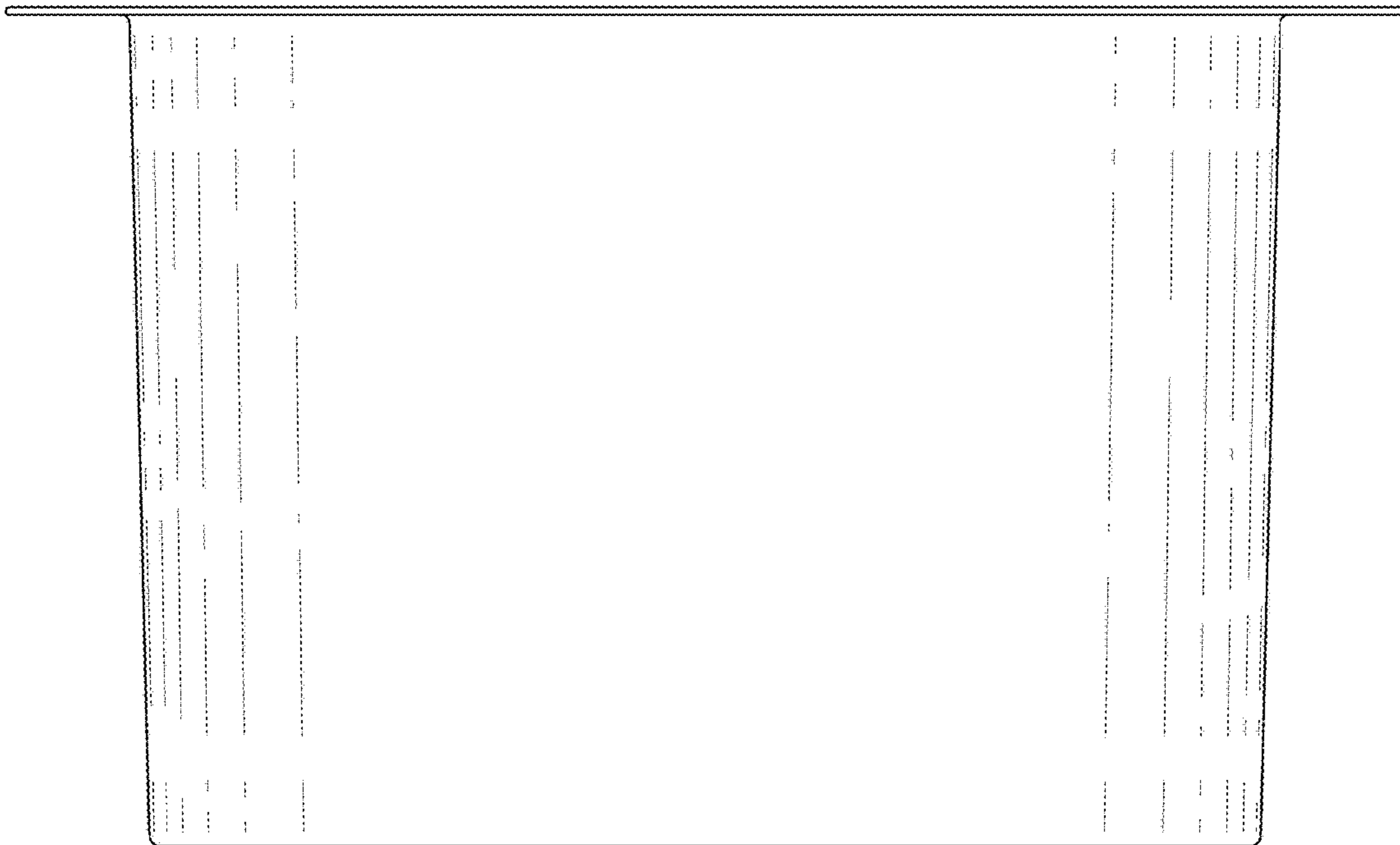
(56) **References Cited**  
U.S. PATENT DOCUMENTS  
D248,215 S \* 6/1978 Cherry ..... D9/418  
D271,169 S \* 11/1983 Hollenbeck ..... D7/538  
D317,567 S \* 6/1991 Lane, Sr. .... D9/425  
5,054,617 A \* 10/1991 Young ..... A63H 33/088  
206/509

**1 Claim, 4 Drawing Sheets**

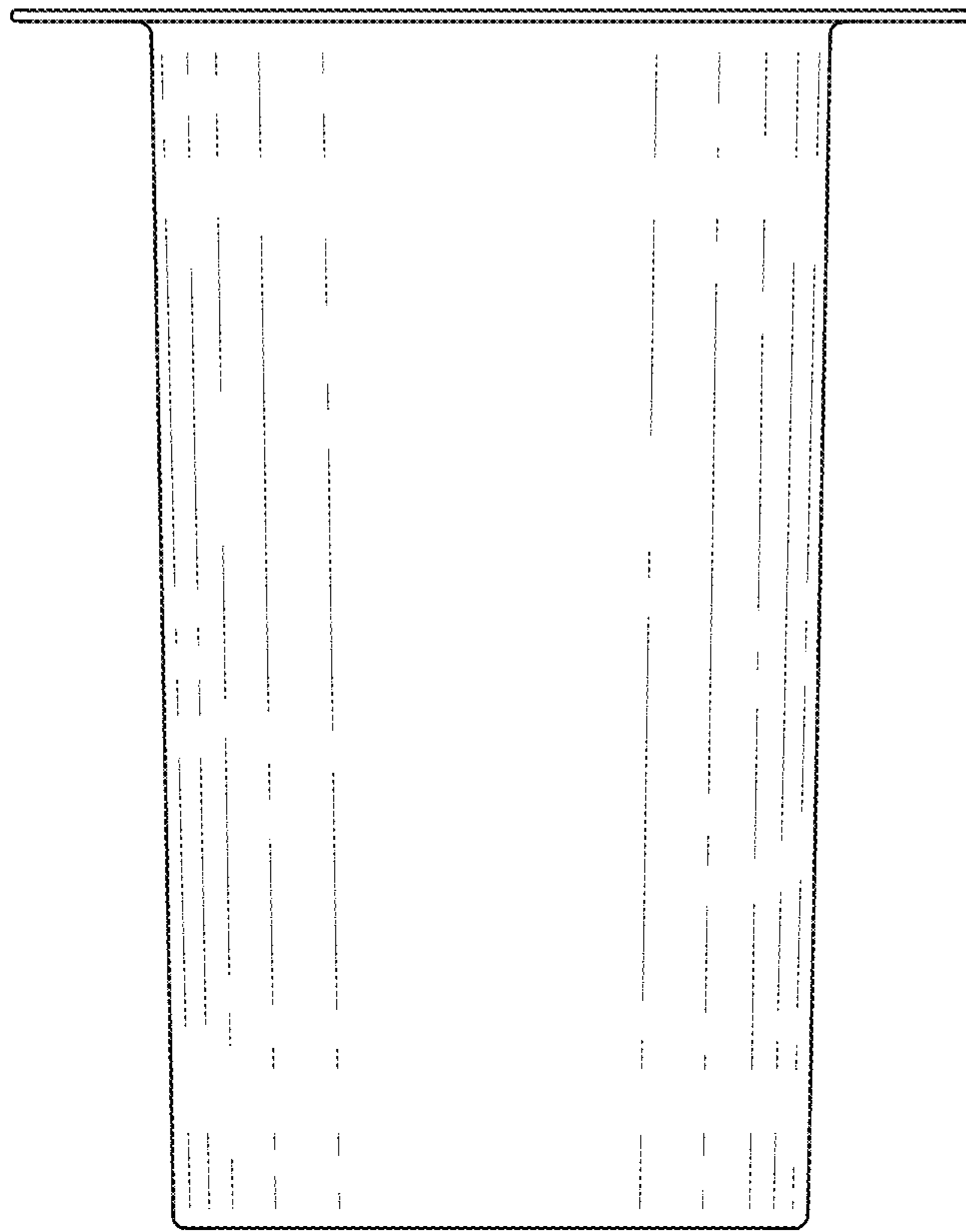




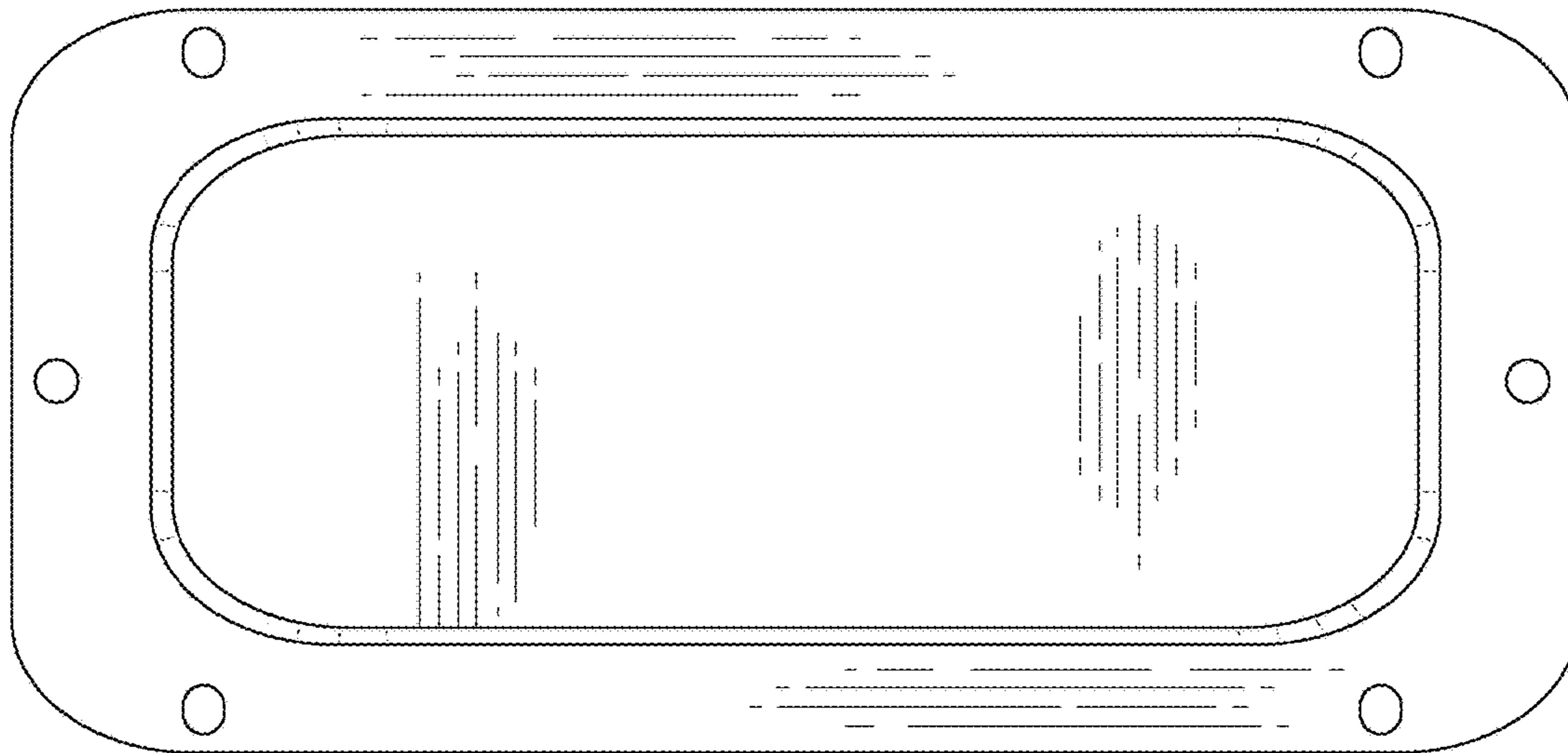
*Fig. 1*



*Fig. 2*



*Fig. 3*



*Fig. 4*