



US00D833142S

(12) **United States Design Patent**
Votel et al.

(10) **Patent No.:** **US D833,142 S**

(45) **Date of Patent:** **** Nov. 13, 2018**

(54) **SLIDE-ON ANCHOR POINT**

(71) Applicant: **Tenacious Holdings, Inc.**, St. Paul, MN (US)

(72) Inventors: **Thomas Votel**, Sunfish Lake, MN (US); **Ian Forte**, Crystal, MN (US); **Nathan Bohmbach**, Lakeville, MN (US); **Paul Goudreau**, Edina, MN (US)

(73) Assignee: **Tenacious Holdings, Inc.**, St. Paul, MN (US)

(**) Term: **15 Years**

(21) Appl. No.: **29/605,823**

(22) Filed: **May 30, 2017**

(51) **LOC (11) Cl.** **03-01**

(52) **U.S. Cl.**
USPC **D3/228**

(58) **Field of Classification Search**
USPC D3/228, 215; D30/161, 199; D9/517; 294/31.2; 206/364, 366, 370; 215/396, 215/399; 224/148.4, 248-249, 255, 257, 224/610, 674, 669, 677, 904; 248/102, 248/690

CPC A45F 5/02; A45F 5/021; A45F 2200/0566; A45F 2200/0575; A45F 3/14; B65D 25/22; B65D 23/003; B25H 3/006; A61J 7/02; A61G 7/053

See application file for complete search history.

(56) **References Cited**

U.S. PATENT DOCUMENTS

3,058,708 A * 10/1962 Murray A61J 17/02 248/102
3,299,442 A * 1/1967 White A61G 7/0503 248/690

D208,289 S * 8/1967 Feuerer D3/228
4,936,499 A * 6/1990 Gulley A45F 5/02 D3/228
5,301,857 A * 4/1994 Green A45F 5/02 224/148.4
D356,441 S * 3/1995 Scheller D3/215
D404,643 S * 1/1999 Walker D3/215
D447,333 S * 9/2001 Phetthaweebancha D3/215
D567,502 S * 4/2008 Stewart D3/228
D654,739 S * 2/2012 Chin D3/215
D675,009 S * 1/2013 Votel D3/215
D794,946 S * 8/2017 Lord D3/215

* cited by examiner

Primary Examiner — Catherine R Oliver-Garcia

(74) *Attorney, Agent, or Firm* — Skaar Ulbrich Macari, P.A.

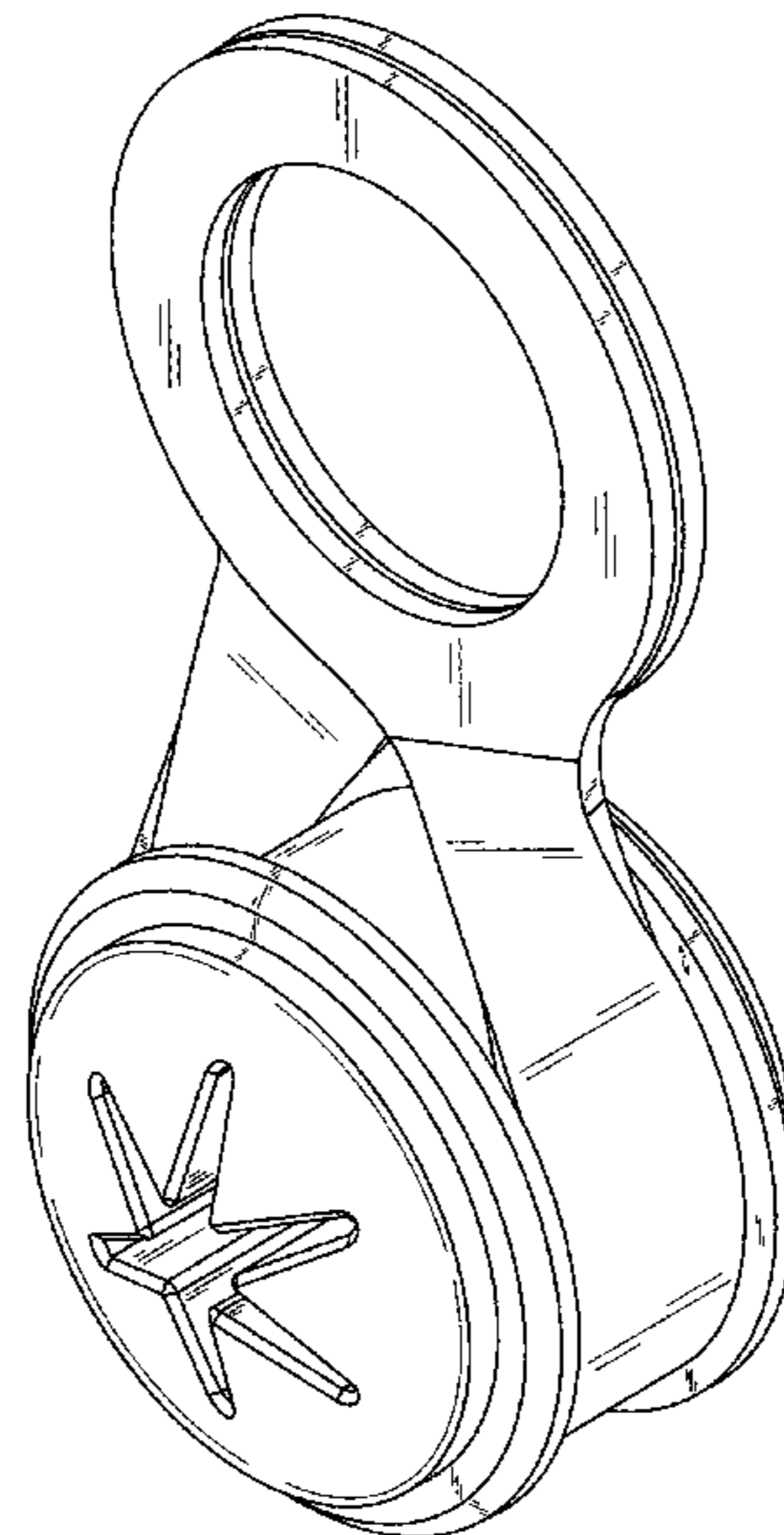
(57) **CLAIM**

The ornamental design for a slide-on anchor point, as shown and described.

DESCRIPTION

FIG. 1 is a perspective view of a slide-on anchor point showing our new design;
FIG. 2 is a rear elevation view thereof;
FIG. 3 is a front elevation view thereof;
FIG. 4 is a left side elevation view thereof;
FIG. 5 is a right side elevation view thereof;
FIG. 6 is a top plan view thereof; and,
FIG. 7 is a bottom plan view thereof.

1 Claim, 7 Drawing Sheets



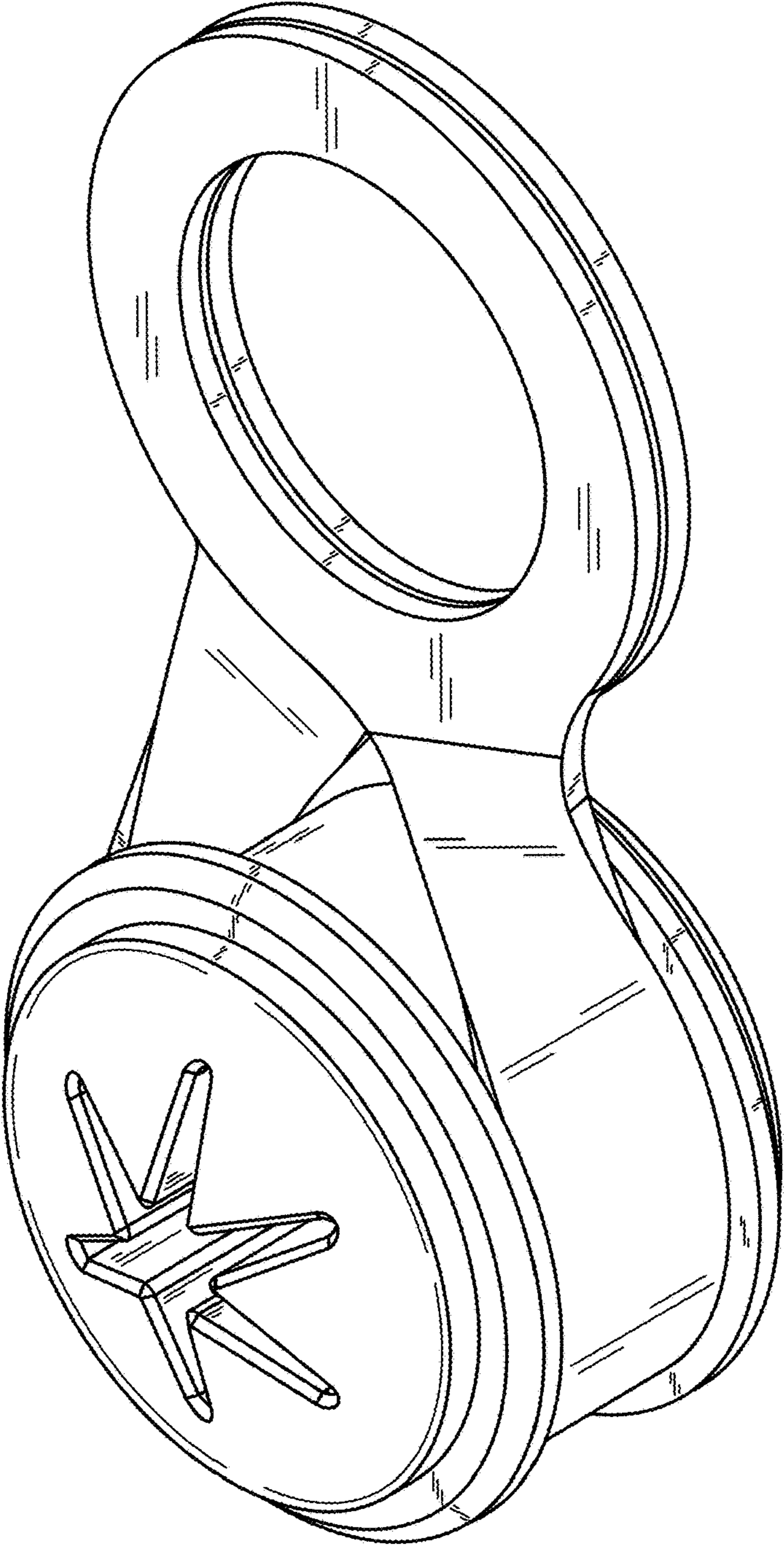


FIG. 1

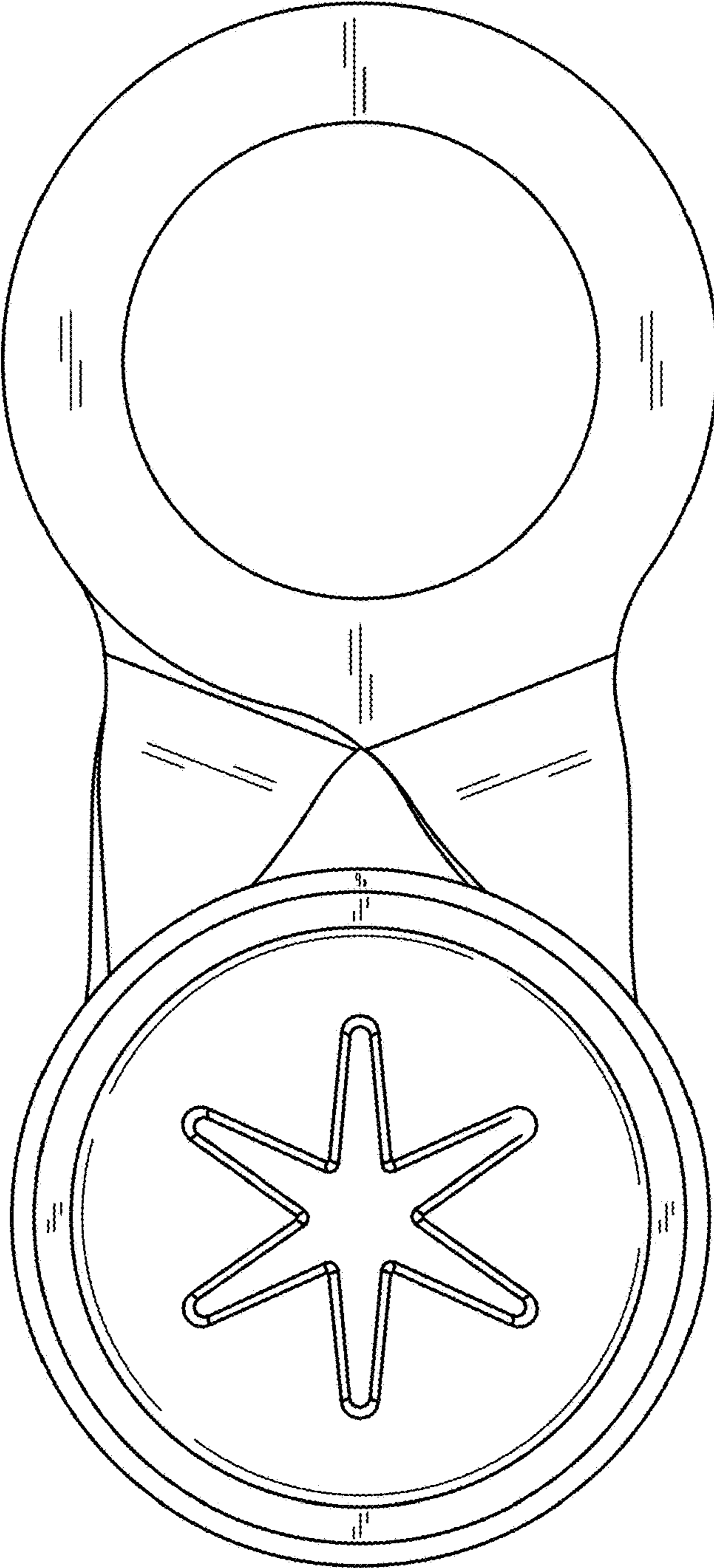


FIG. 2

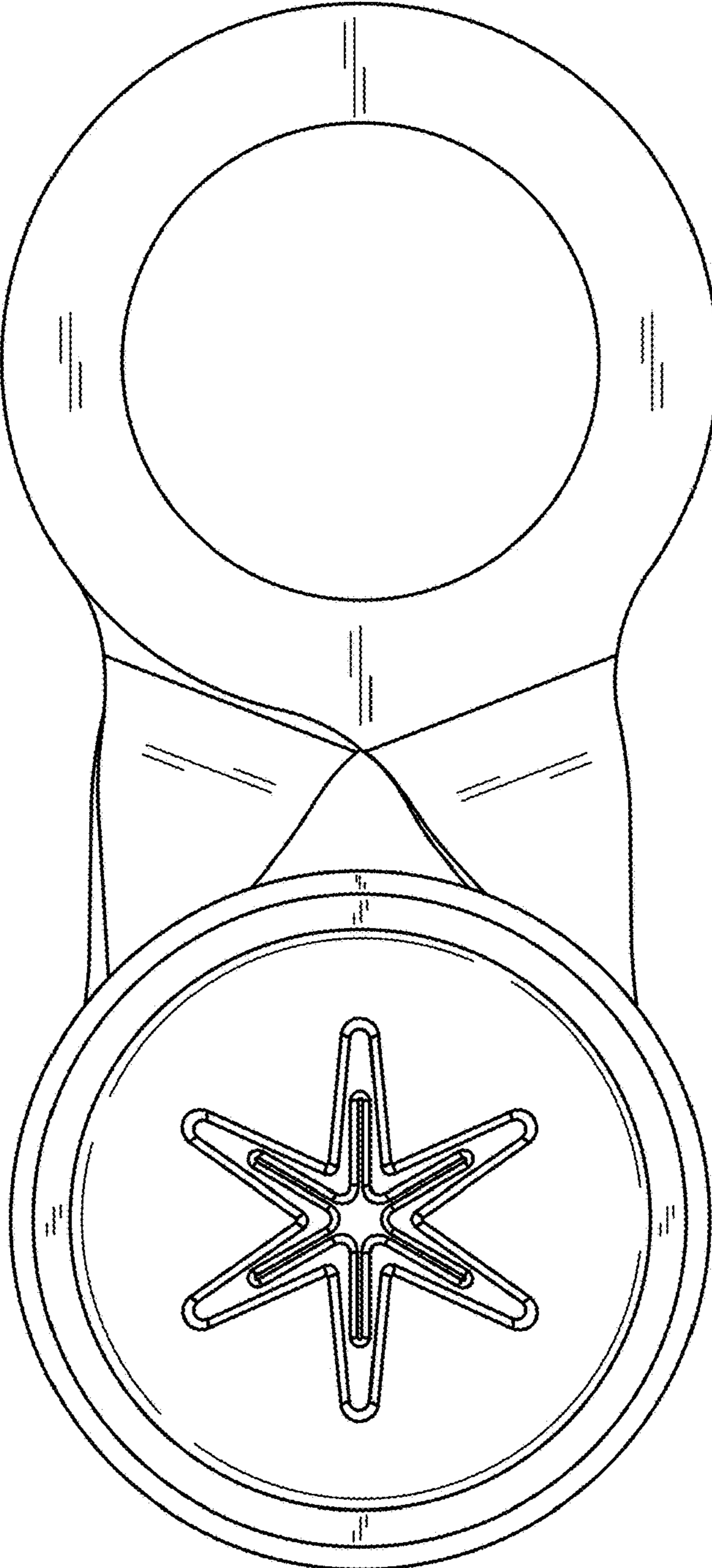


FIG. 3

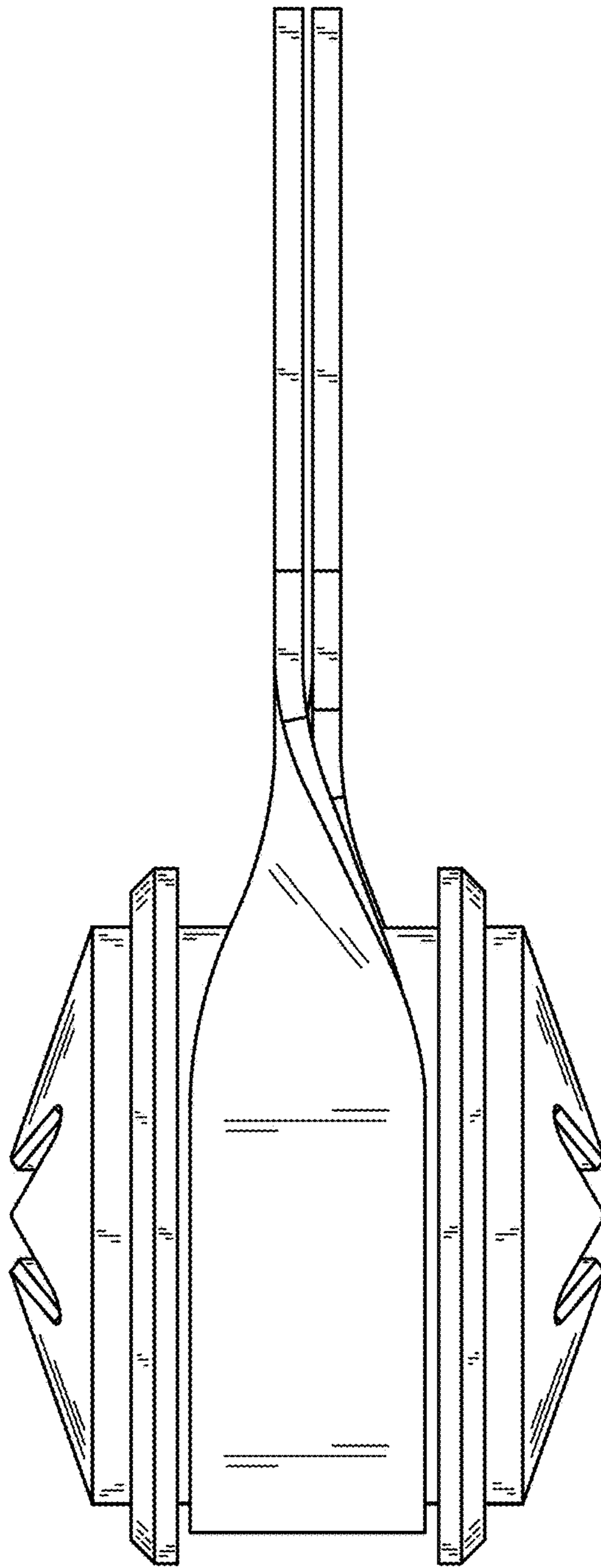


FIG. 4

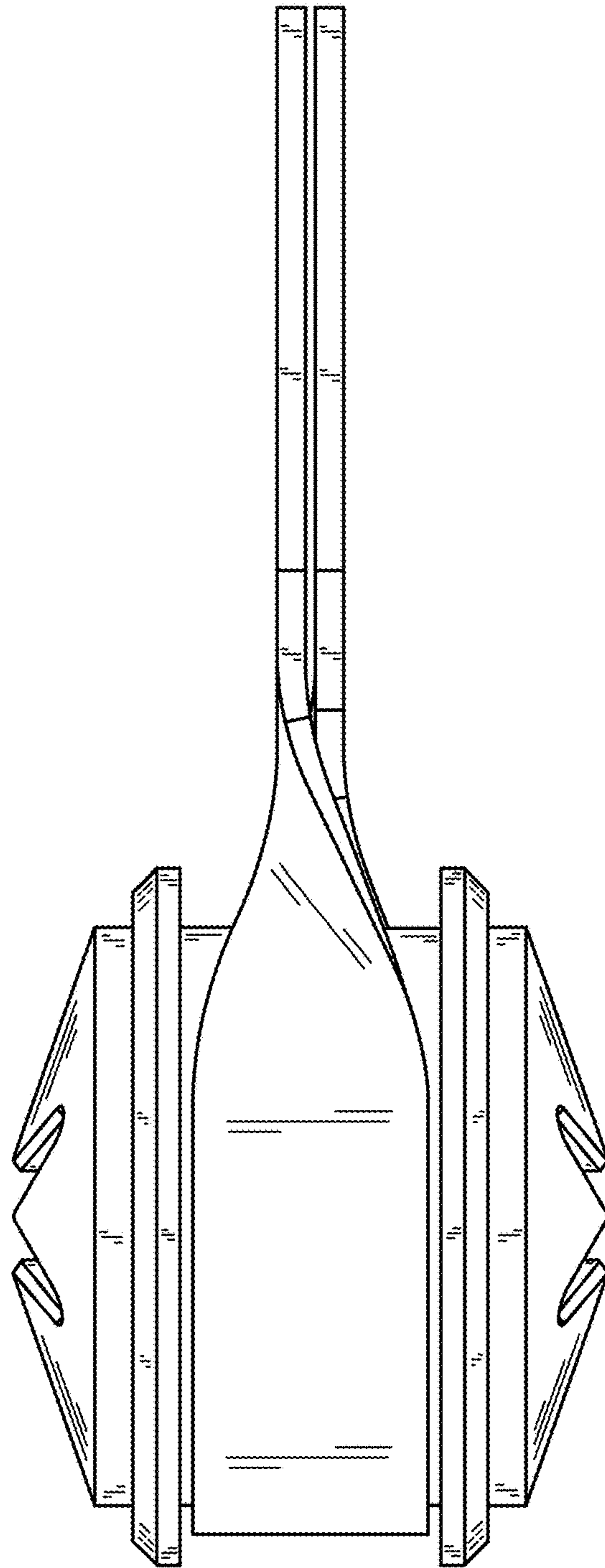


FIG. 5

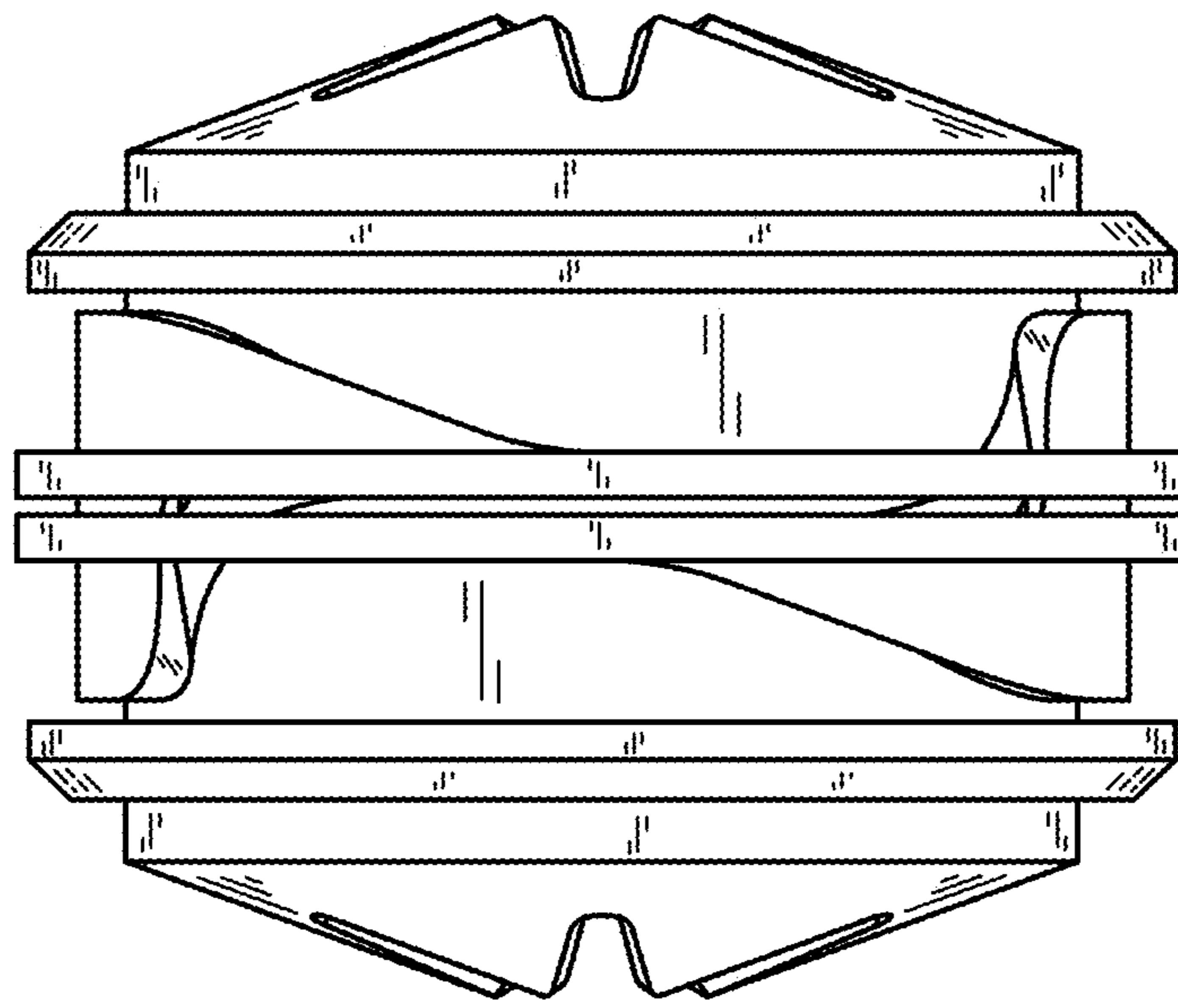


FIG. 6

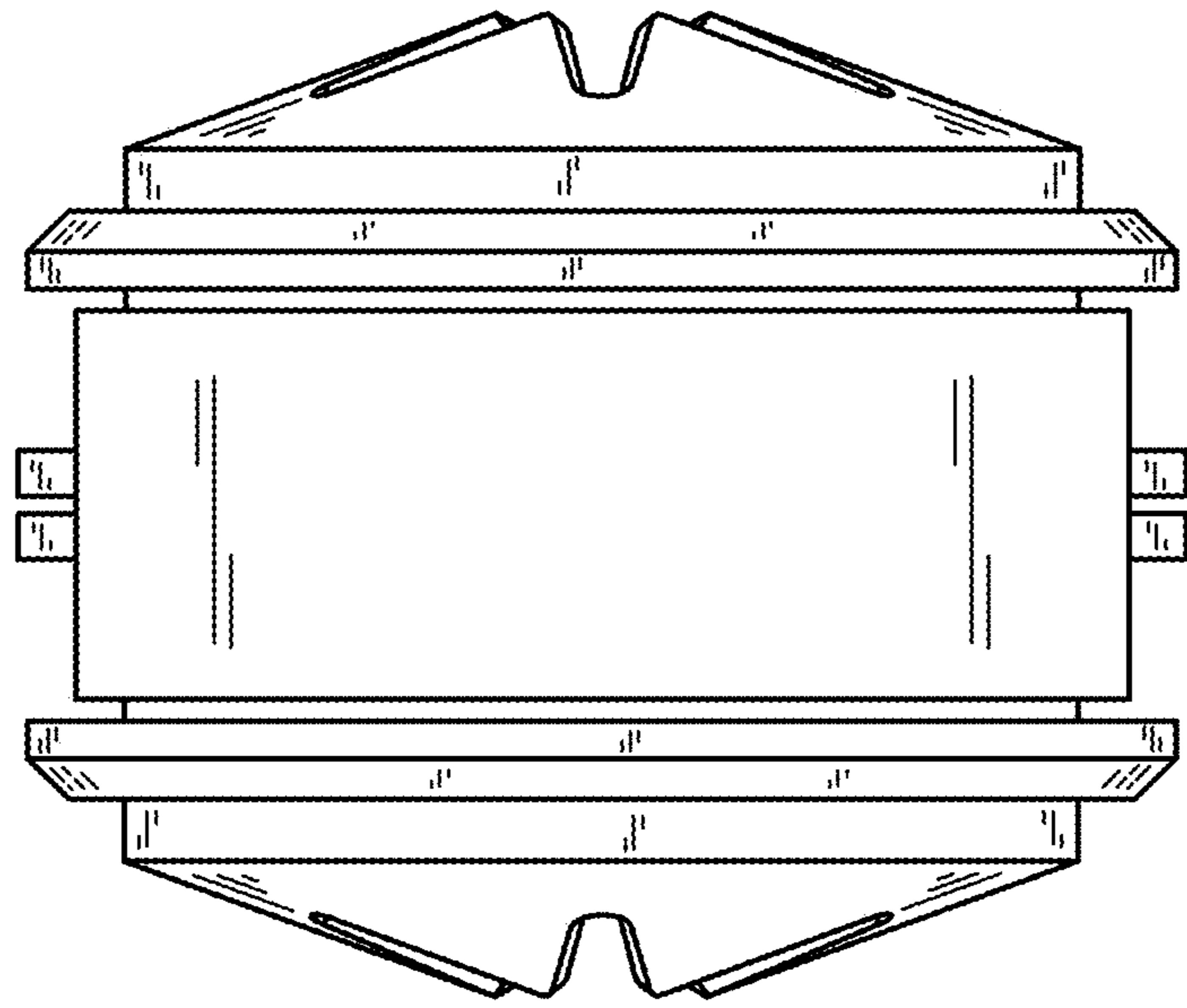


FIG. 7