



US00D833141S

(12) **United States Design Patent**  
**Carter et al.**

(10) **Patent No.:** **US D833,141 S**  
(45) **Date of Patent:** **\*\* Nov. 13, 2018**

(54) **BACKPACK**

(71) Applicant: **Skip Hop, Inc.**, New York, NY (US)

(72) Inventors: **Chelsea Carter**, Jersey City, NJ (US);  
**Ellen Diamant**, New York, NY (US)

(73) Assignee: **SKIP HOP, INC.**, New York, NY (US)

(\*\*) Term: **15 Years**

(21) Appl. No.: **29/585,383**

(22) Filed: **Nov. 23, 2016**

(51) **LOC (11) Cl.** ..... **03-01**

(52) **U.S. Cl.**  
USPC ..... **D3/217**

(58) **Field of Classification Search**  
USPC ..... D3/201, 216, 217, 254, 272, 279, 294;  
D6/336, 368  
CPC ..... A45F 3/04; A45F 4/02; A45F 2003/045;  
A45F 2003/125; A45F 3/02; A45F  
2003/127; A45F 3/047; A45F 3/12; A45F  
2003/001

See application file for complete search history.

(56) **References Cited**

**U.S. PATENT DOCUMENTS**

D396,745 S \* 8/1998 Peterson ..... D3/216  
D431,356 S \* 10/2000 Ammerman ..... D3/216  
D500,590 S \* 1/2005 Sachen ..... D3/216  
D543,021 S \* 5/2007 Lee ..... D3/216  
D609,008 S \* 2/2010 Diamant ..... D3/243

D615,295 S \* 5/2010 Arnold ..... D3/216  
D616,196 S \* 5/2010 Walsh ..... D3/217  
D770,763 S \* 11/2016 Joo ..... D3/232  
D781,575 S \* 3/2017 Etekoachay ..... D3/217  
D794,947 S \* 8/2017 Gavriel ..... D3/217  
9,796,517 B2 \* 10/2017 Seiders ..... B65D 81/389  
D810,424 S \* 2/2018 Tobias ..... D3/217  
2002/0139820 A1 \* 10/2002 Godshaw ..... A45F 3/04  
224/153

\* cited by examiner

*Primary Examiner* — George D. Kirschbaum

*Assistant Examiner* — Jennifer L Watkins

(74) *Attorney, Agent, or Firm* — Stephen J. Weyer, Esq.;  
Stites & Harbison, PLLC

(57) **CLAIM**

The ornamental design for a backpack, as shown and described.

**DESCRIPTION**

FIG. 1 is a perspective view taken from the top, front, and left side of the backpack of the present design. FIG. 2 is a left side elevational view thereof. FIG. 3 is a right side elevational view thereof. FIG. 4 is a bottom plan view thereof. FIG. 5 is a top plan view thereof. FIG. 6 is a front elevational view thereof; and, FIG. 7 is a rear elevational view thereof. The portions drawn in broken lines of the backpack form no part of the claimed design.

**1 Claim, 7 Drawing Sheets**

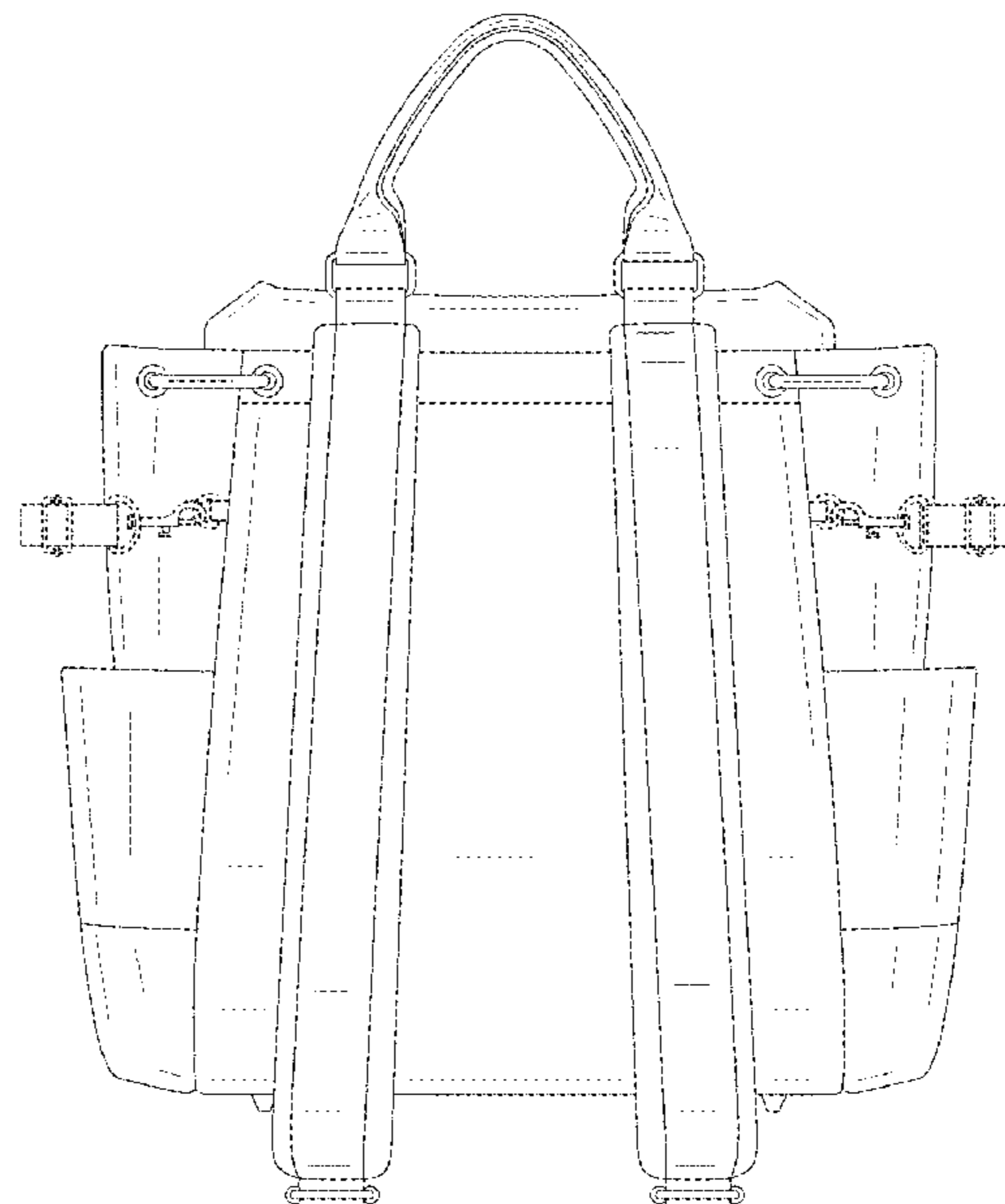




FIG. 1

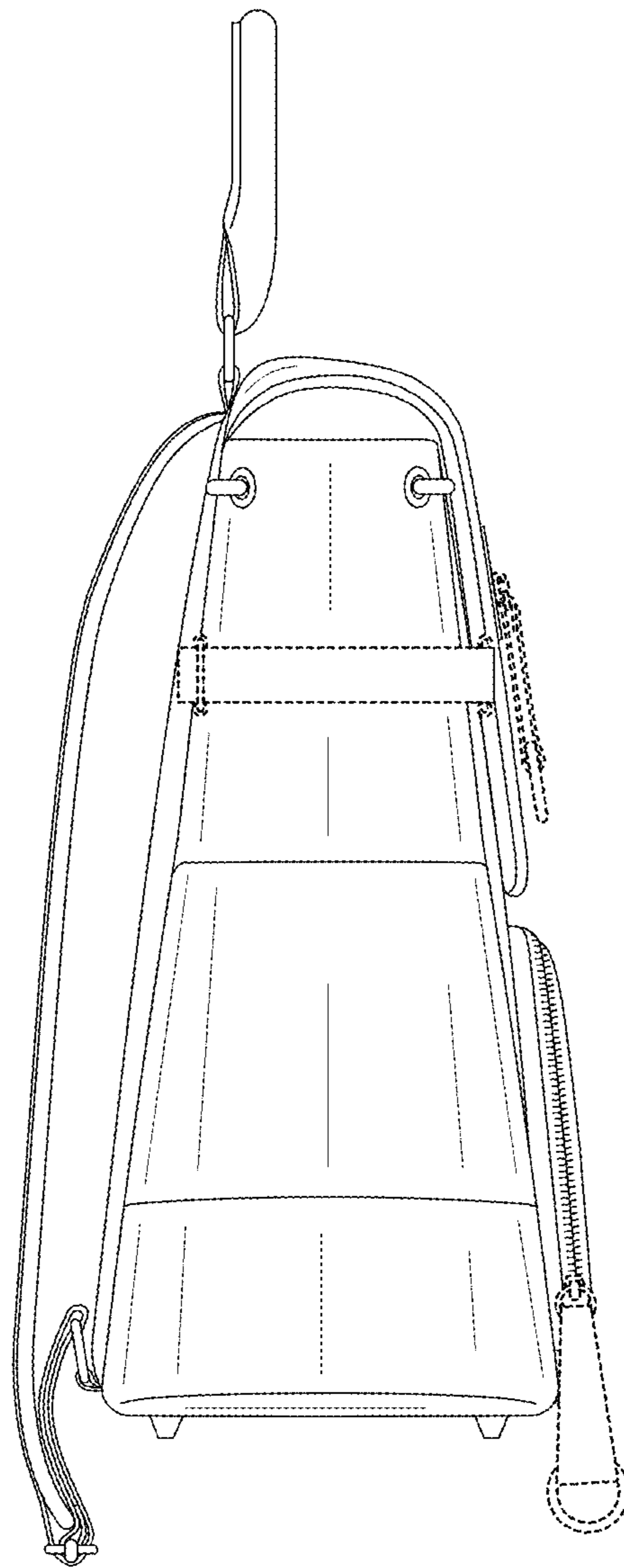


FIG. 2

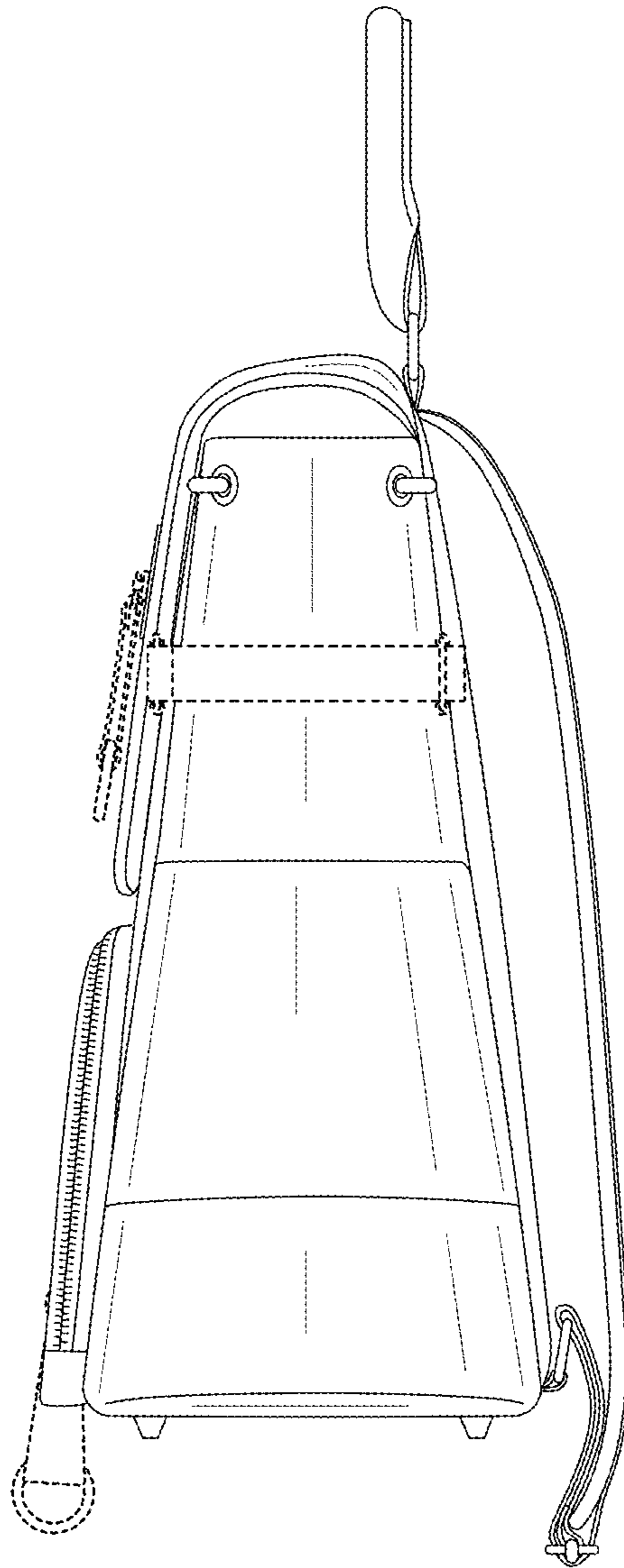


FIG. 3

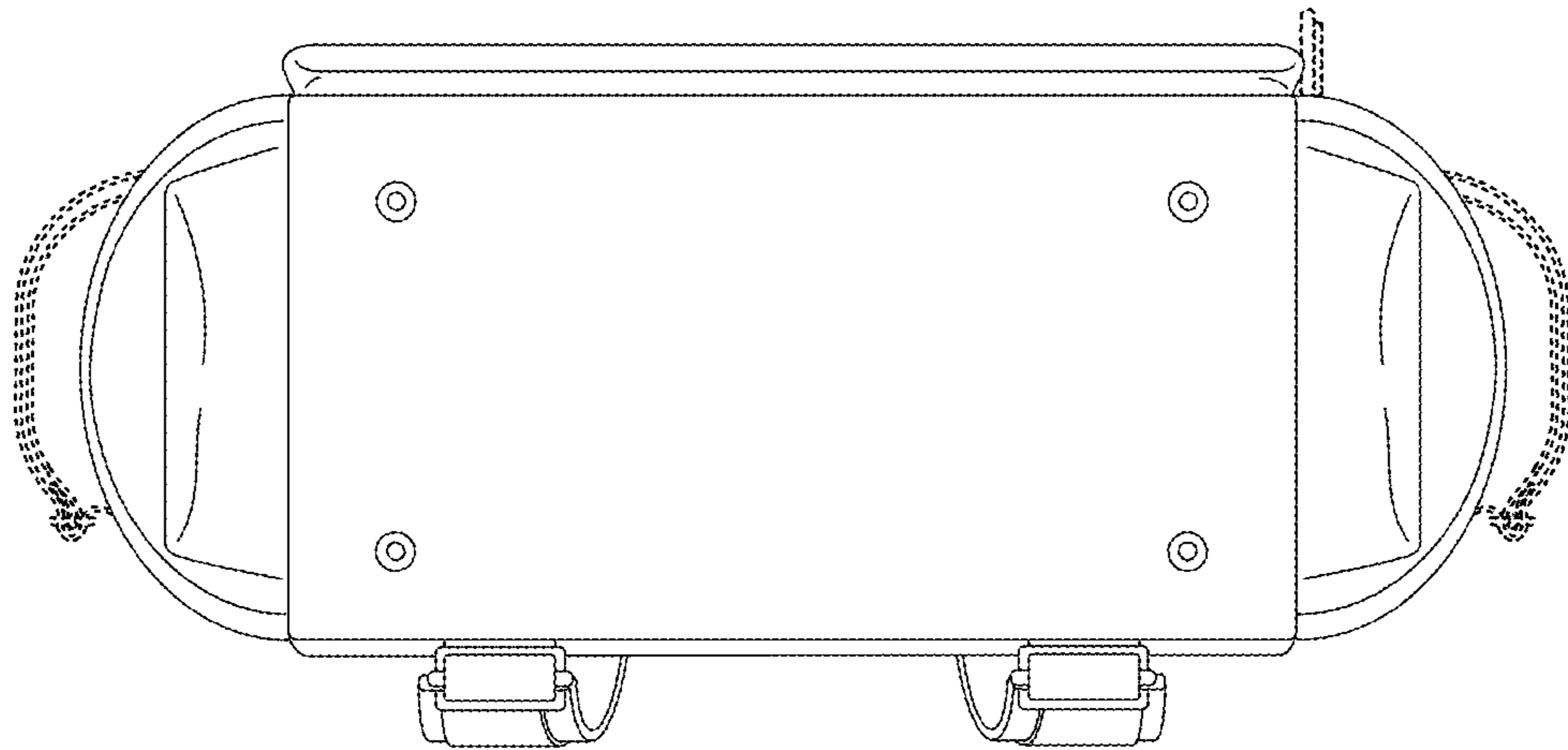


FIG. 4

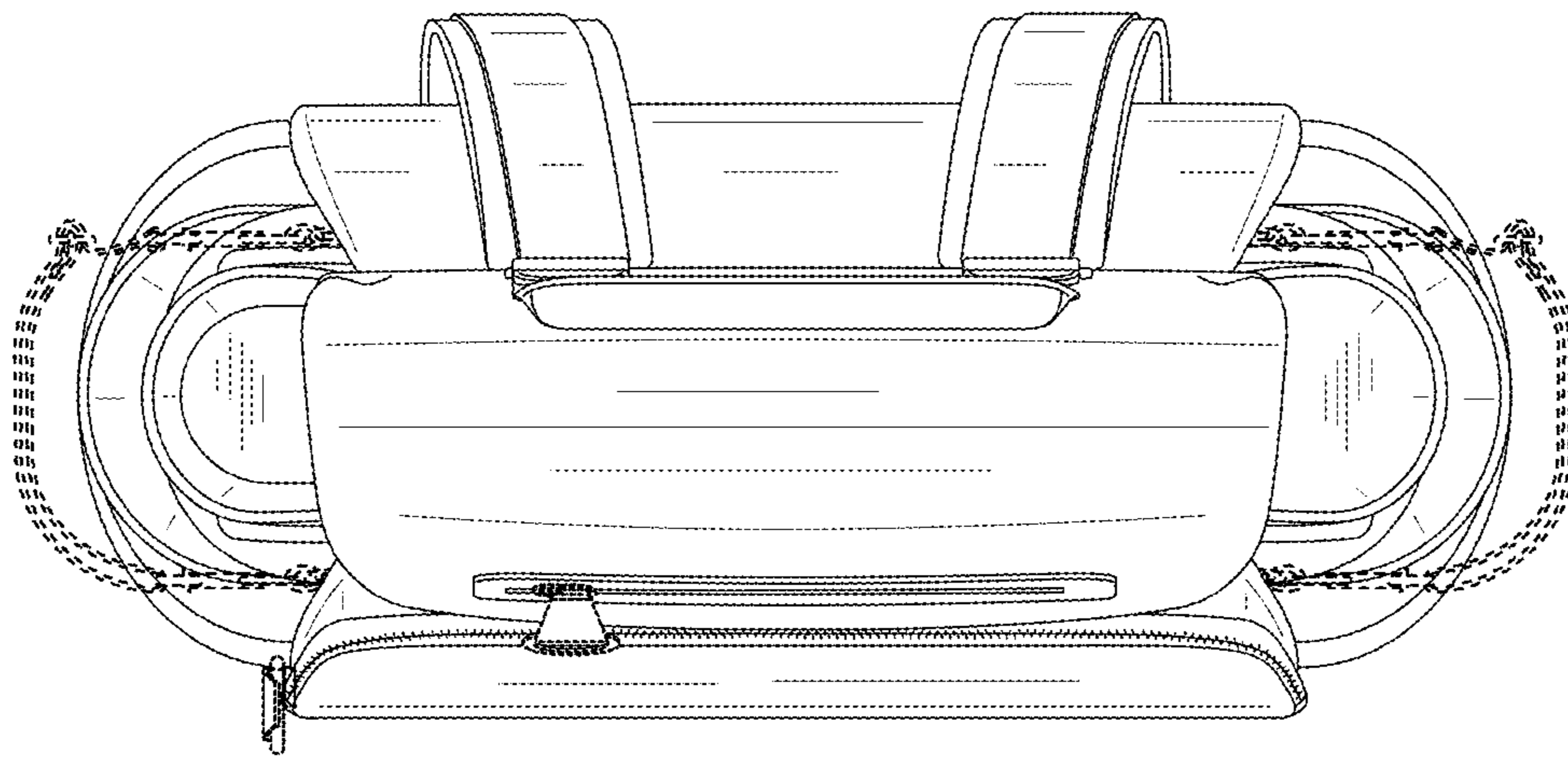


FIG. 5

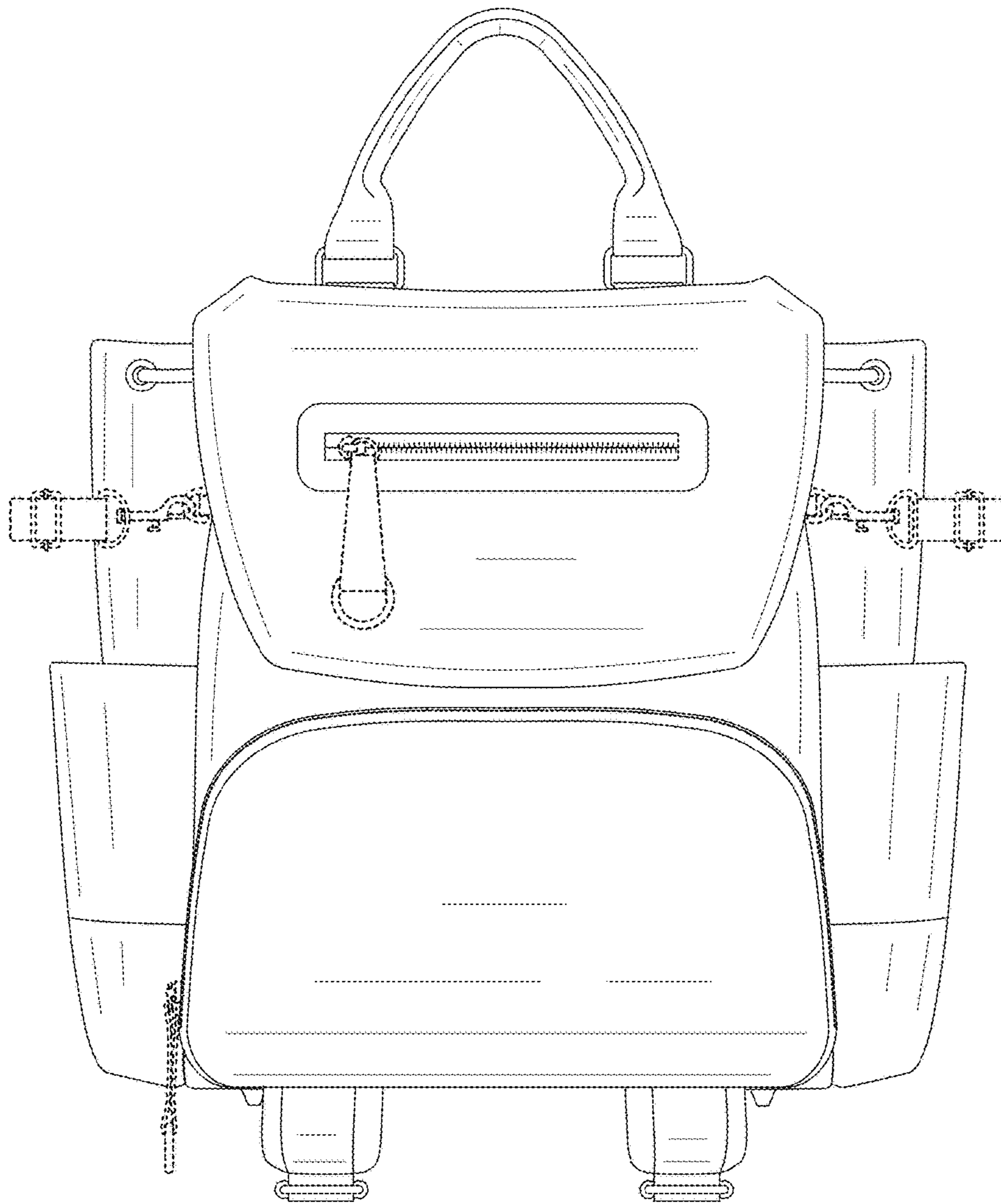


FIG. 6

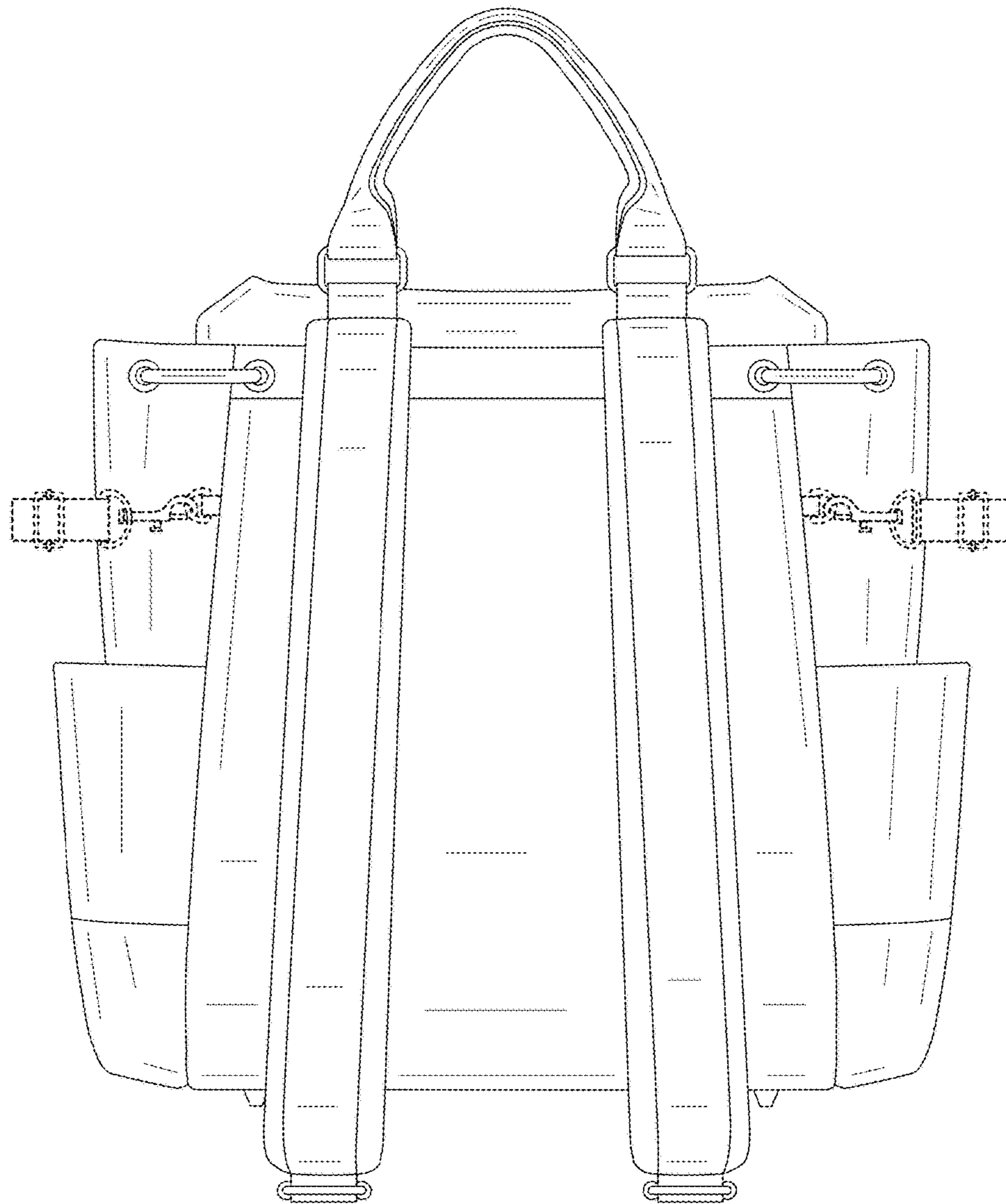


FIG. 7