



US00D833140S

(12) **United States Design Patent**  
**Oliver et al.**

(10) **Patent No.:** **US D833,140 S**

(45) **Date of Patent:** **\*\* Nov. 13, 2018**

(54) **CONVERTIBLE BAG**

(71) Applicants: **Loria Wilson Oliver**, Bentonville, AR (US); **Edward Kent Oliver, Jr.**, Bentonville, AR (US)

(72) Inventors: **Loria Wilson Oliver**, Bentonville, AR (US); **Edward Kent Oliver, Jr.**, Bentonville, AR (US)

(\*\*) Term: **15 Years**

(21) Appl. No.: **29/577,669**

(22) Filed: **Sep. 14, 2016**

(51) **LOC (11) Cl.** ..... **03-01**

(52) **U.S. Cl.**  
USPC ..... **D3/217**

(58) **Field of Classification Search**  
USPC ..... D3/201, 216, 217, 254, 272, 279, 294  
CPC ..... A45F 3/04; A45F 4/02; A45F 2003/045;  
A45F 2003/125; A45F 3/02; A45F  
2003/127; A45F 3/047; A45F 3/12; A45F  
2003/001  
See application file for complete search history.

(56) **References Cited**

**U.S. PATENT DOCUMENTS**

4,177,909	A *	12/1979	Haskell	.....	A45C 3/00 150/100
4,188,988	A *	2/1980	Agyagos	.....	A45C 3/00 190/2
D290,908	S	7/1987	Thomas		
D321,789	S	11/1991	Martorella		
D369,025	S	4/1996	Miller		
D543,760	S *	6/2007	Utzinger, III	.....	D6/553
D627,163	S *	11/2010	Kittrell	.....	D3/283
7,891,733	B1 *	2/2011	Clarke	.....	A47C 7/62 211/118

D660,585	S *	5/2012	McDonald	.....	D3/217
D747,604	S	1/2016	Kurtz		
D776,429	S *	1/2017	Zagorski	.....	D3/274
D786,694	S *	5/2017	Abang, Jr.	.....	D9/703
D802,441	S *	11/2017	Kikuta	.....	D9/703

\* cited by examiner

*Primary Examiner* — George D. Kirschbaum

*Assistant Examiner* — Jennifer L. Watkins

(74) *Attorney, Agent, or Firm* — Debra K. Winters

(57) **CLAIM**

The ornamental design for a convertible bag, as shown and described.

**DESCRIPTION**

FIG. 1 depicts a front perspective view of a convertible bag showing our new design.

FIG. 2 depicts a rear side perspective view thereof;

FIG. 3 depicts a front side view thereof;

FIG. 4 depicts a rear side view thereof;

FIG. 5 depicts a first lateral side view thereof;

FIG. 6 depicts a second lateral side view thereof;

FIG. 7 depicts a bottom view thereof;

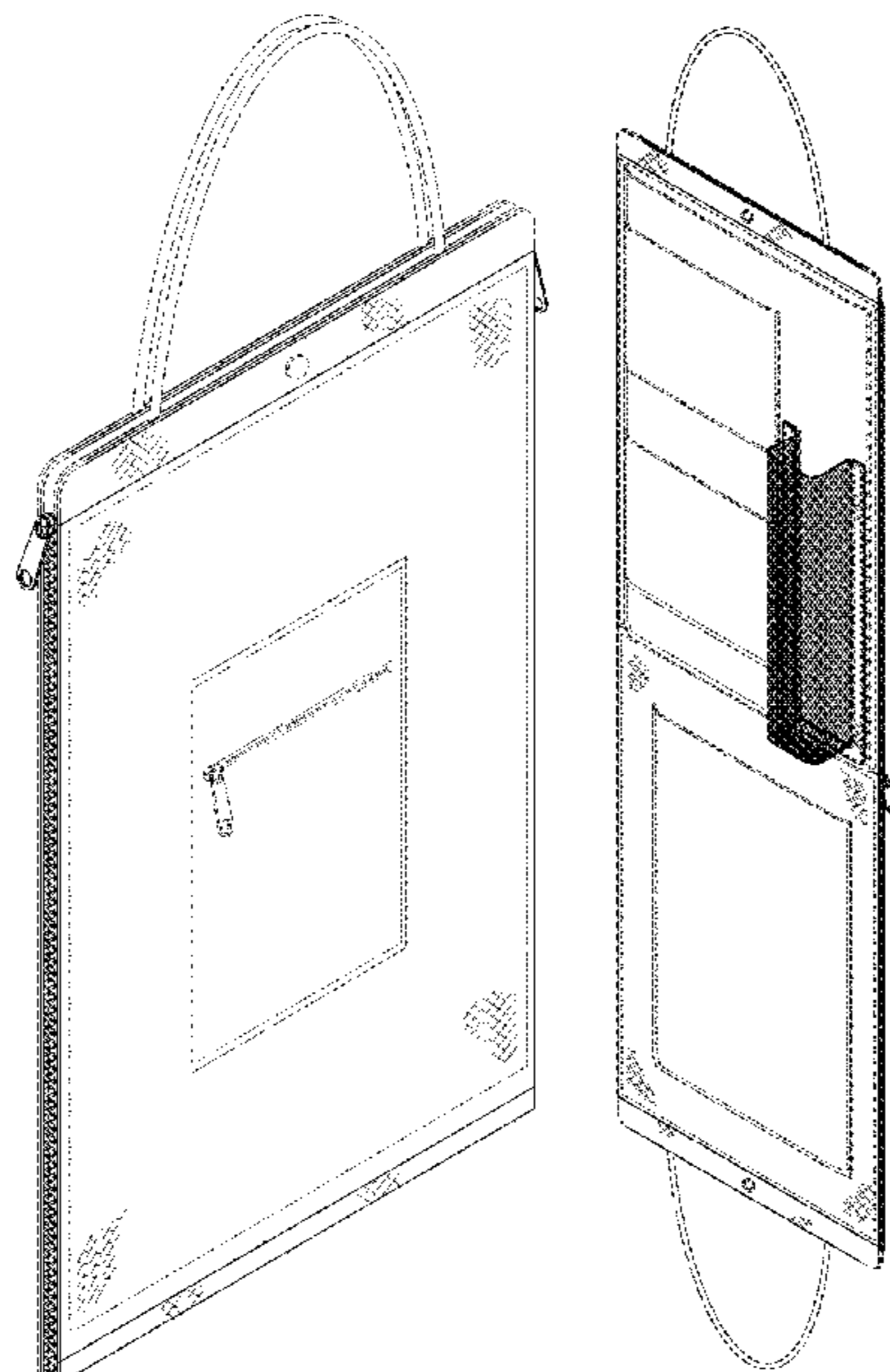
FIG. 8 depicts a top view thereof;

FIG. 9 depicts an internal perspective view thereof in an open configuration; and,

FIG. 10 depicts an external perspective view thereof in an open configuration.

The broken lines showing the corners, handles, a snap button, and an external pocket with a zipper are intended to show portions of the convertible bag and form no part of the claim. All other broken lines shown on claimed surfaces are for the purpose of illustrating stitching and form no part of the claim.

**1 Claim, 10 Drawing Sheets**



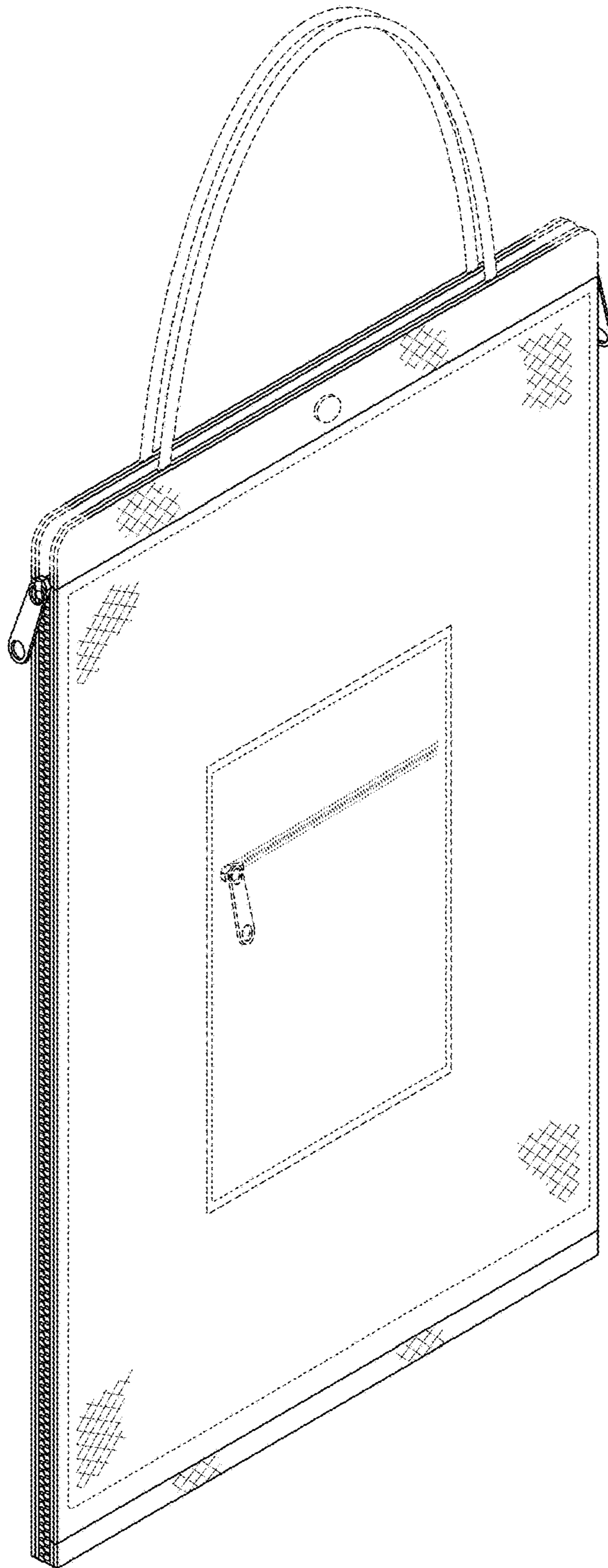


FIG. 1

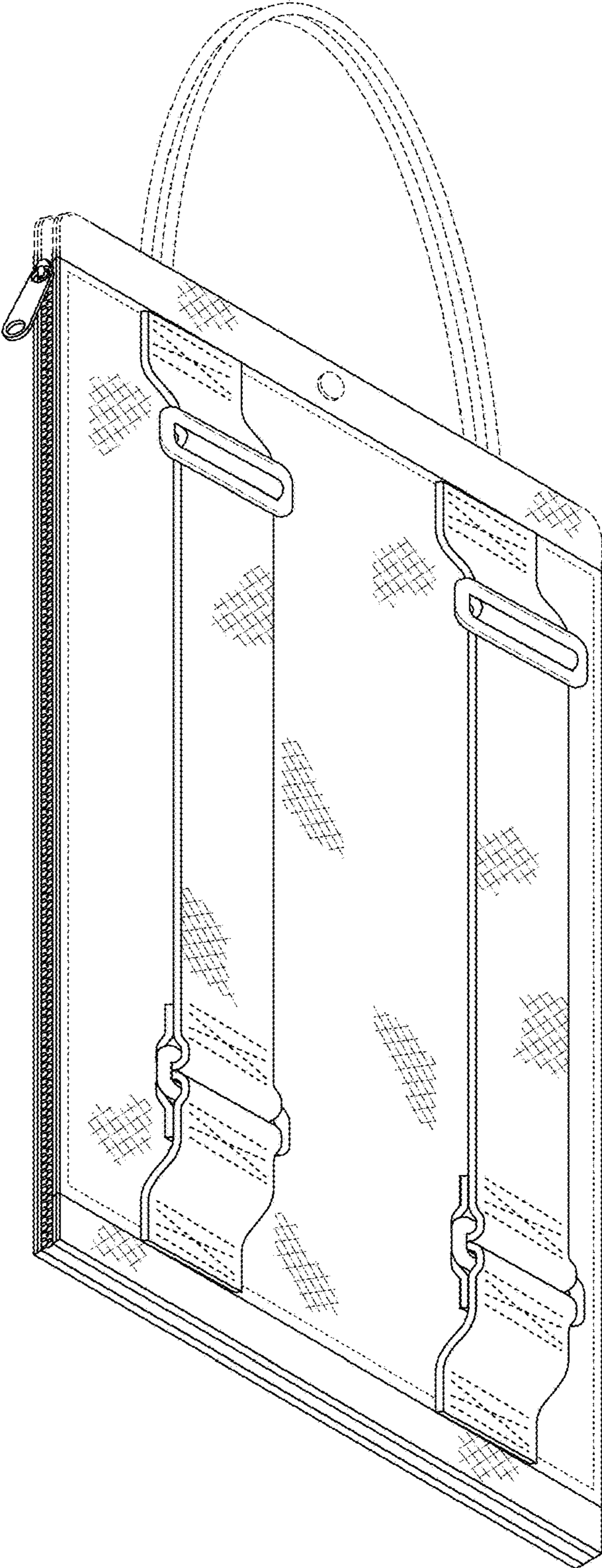


FIG. 2

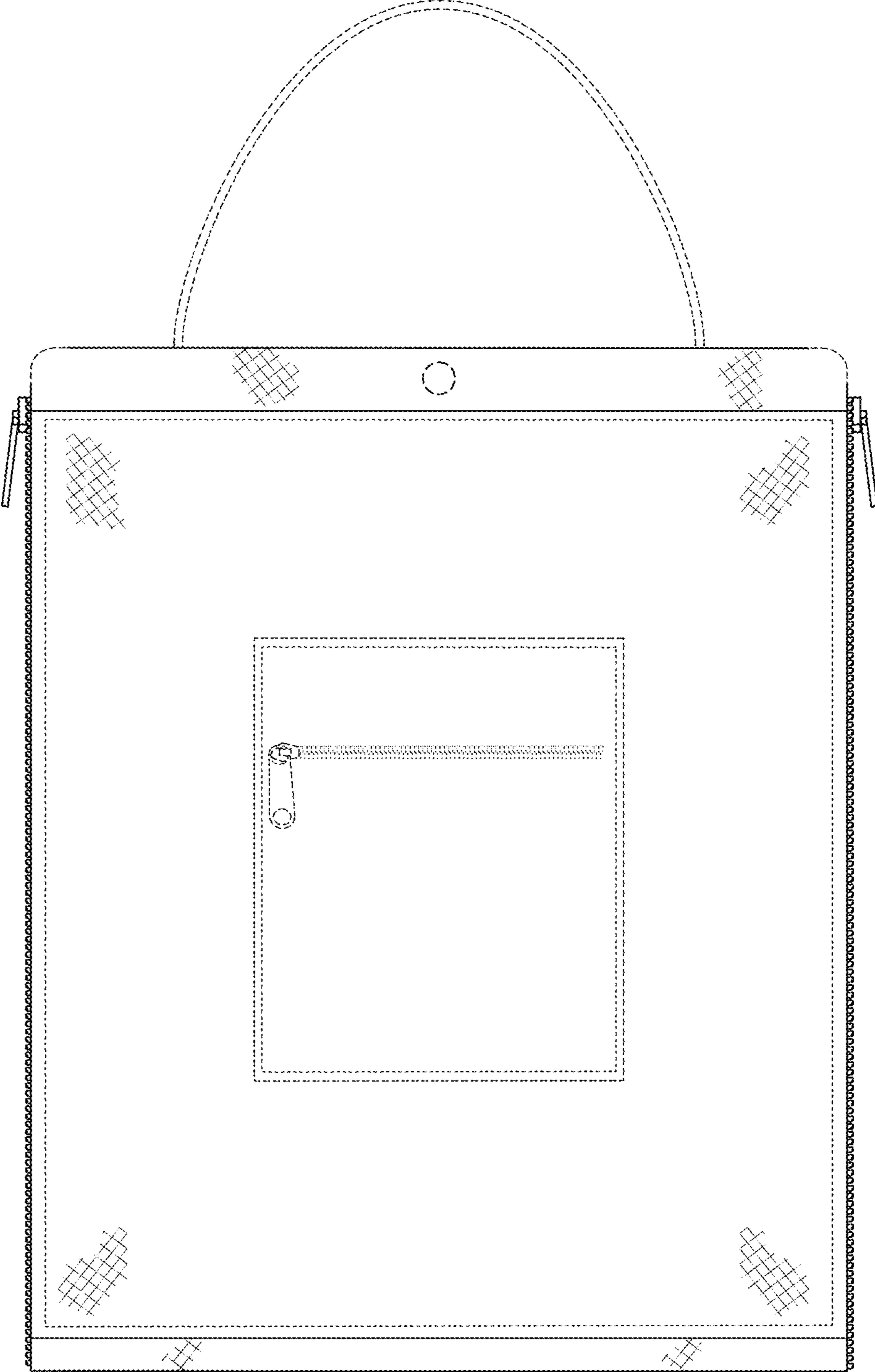


FIG. 3

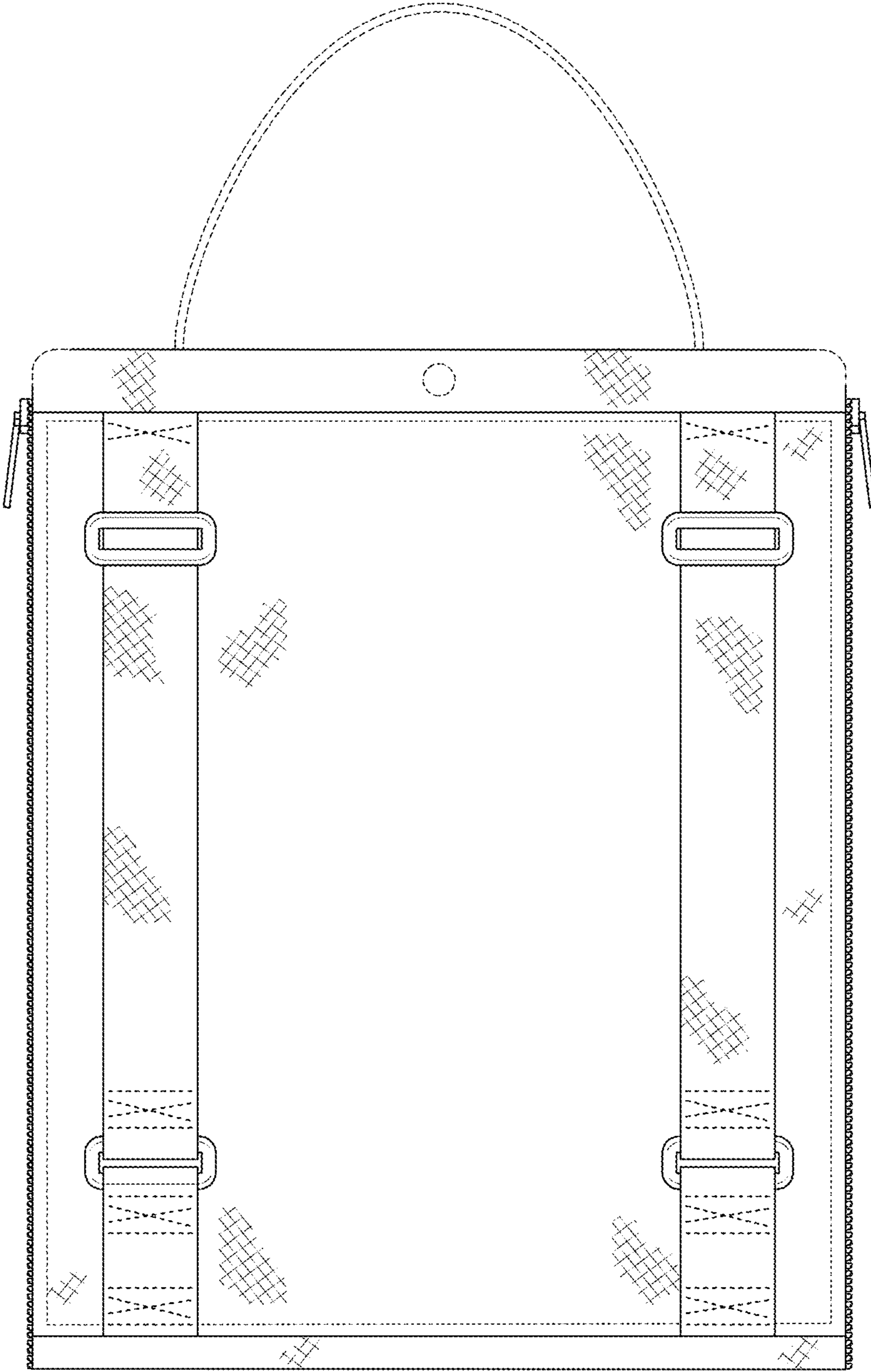


FIG. 4

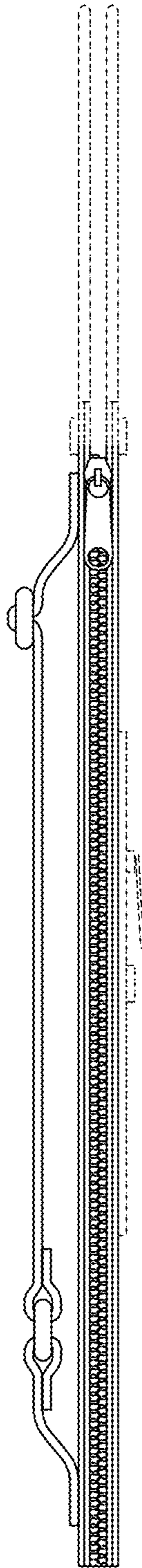


FIG. 5

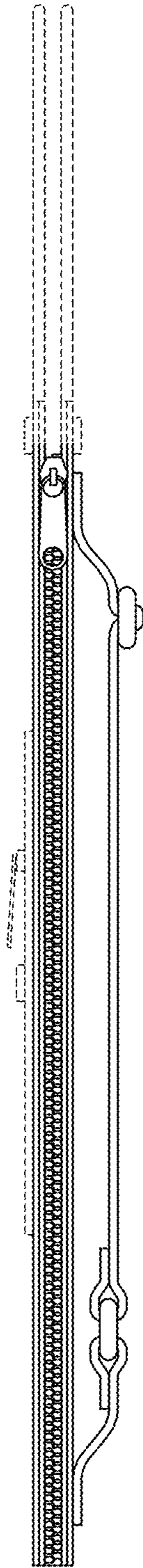
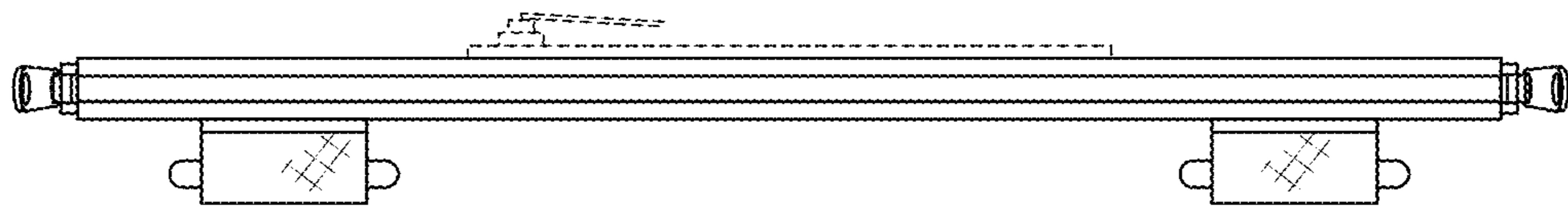
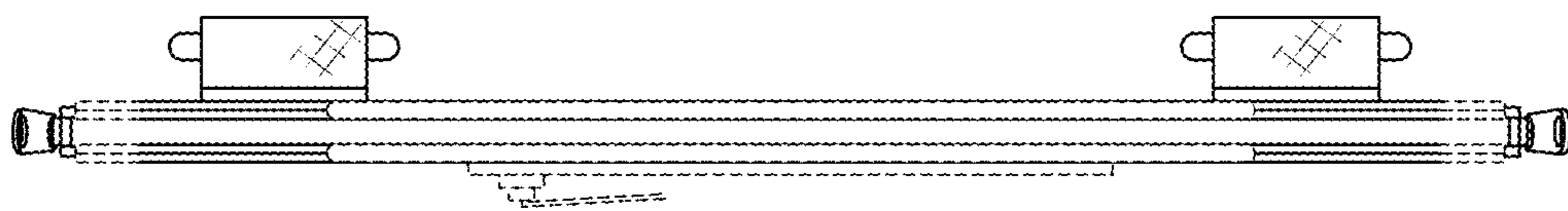


FIG. 6



**FIG. 7**





**FIG. 8**

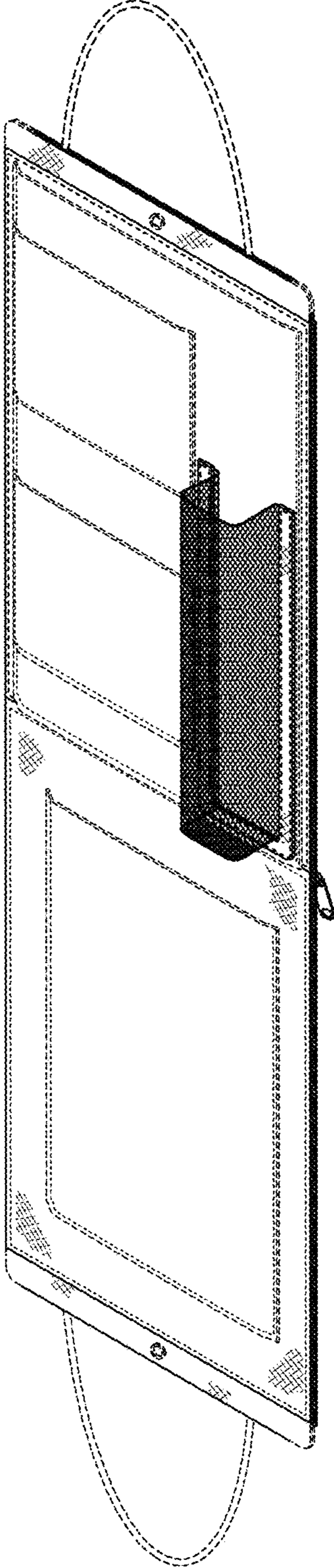


FIG. 9

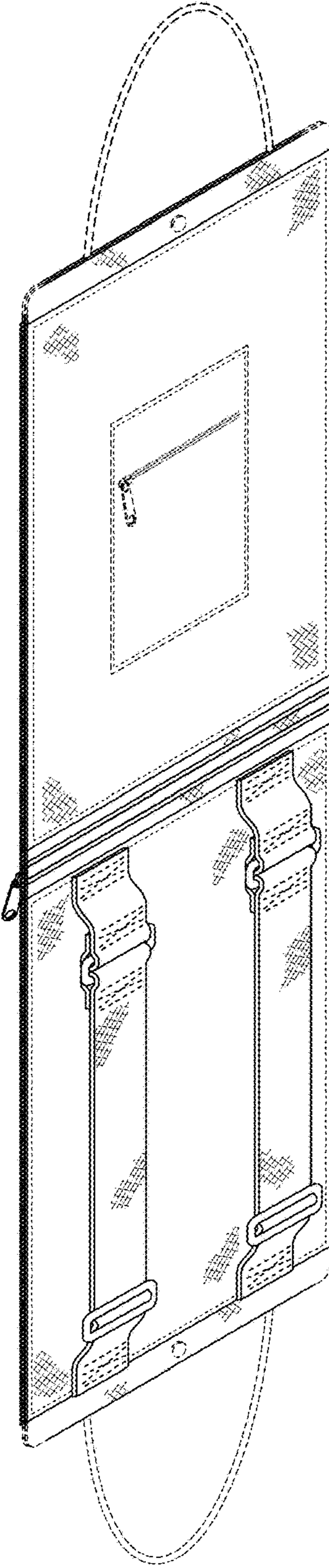


FIG. 10