



US00D833139S

(12) **United States Design Patent**  
**Hadden**

(10) **Patent No.:** **US D833,139 S**

(45) **Date of Patent:** **\*\* Nov. 13, 2018**

(54) **KEY ORGANIZER**

(71) Applicant: **Chums, Inc.**, Salt Lake City, UT (US)

(72) Inventor: **Richard Jeremy Hadden**, White Salmon, WA (US)

(73) Assignee: **Chums, Inc.**, Salt Lake City, UT (US)

(\*\*) Term: **15 Years**

(21) Appl. No.: **29/596,475**

(22) Filed: **Mar. 8, 2017**

(51) **LOC (11) Cl.** ..... **03-01**

(52) **U.S. Cl.**  
USPC ..... **D3/207**

(58) **Field of Classification Search**

USPC ..... D3/207-212; D8/43, 99, 100, 105, 107;  
D22/118; D11/1-2, 14, 26-29, 89-92,  
D11/44, 48, 81, 99; 63/26-28, 32;  
70/456 B, 408, 457, 456 R; 206/37.1;  
D10/64, 104; D19/121, 135, 157, 81, 83,  
D19/84, 98, 123; 24/3.6; D14/496  
CPC .... B26B 1/00; B26B 1/02; B26B 1/04; B26B  
1/08; B26B 11/00; B26B 11/001; B26B  
11/005; B26B 11/006; H04B 1/034; F04B  
15/00; A44B 15/00; A46B 5/02; G06F  
3/033; G06F 3/041; G08C 21/00

See application file for complete search history.

(56) **References Cited**

**U.S. PATENT DOCUMENTS**

D3,942 S 3/1870 Elwell  
1,669,945 A \* 5/1928 Michailovsky ..... A45C 11/324  
70/456 R  
1,793,594 A \* 2/1931 Dodson ..... A45C 11/324  
206/37.8  
1,885,957 A 11/1932 Singleton

1,909,735 A \* 5/1933 Vavrosky ..... A44B 15/00  
24/3.6  
1,942,924 A \* 1/1934 Jachens ..... A45C 11/324  
70/456 R  
1,974,160 A 9/1934 Peirson  
(Continued)

**OTHER PUBLICATIONS**

Key Quiver Keychain Organizer, Chums.com, [online], [site visited May 5, 2018]. <URL: <https://www.chums.com/keychains/key-quiver-keychain-tool>> (Year: 2018).\*

(Continued)

*Primary Examiner* — T Chase Nelson

*Assistant Examiner* — Jonathan J. Han

(74) *Attorney, Agent, or Firm* — Stoel Rives LLP

(57) **CLAIM**

The ornamental design for a key organizer, as shown and described.

**DESCRIPTION**

FIG. 1 is a front perspective view of a key organizer showing my new design with unclaimed key inserts and attachment hardware;

FIG. 2 is another front perspective view of a key organizer shown without unclaimed key inserts and attachment hardware;

FIG. 3 is a rear perspective view thereof;

FIG. 4 is a right side elevation view thereof;

FIG. 5 is a left side elevation view thereof;

FIG. 6 is a rear elevation view thereof;

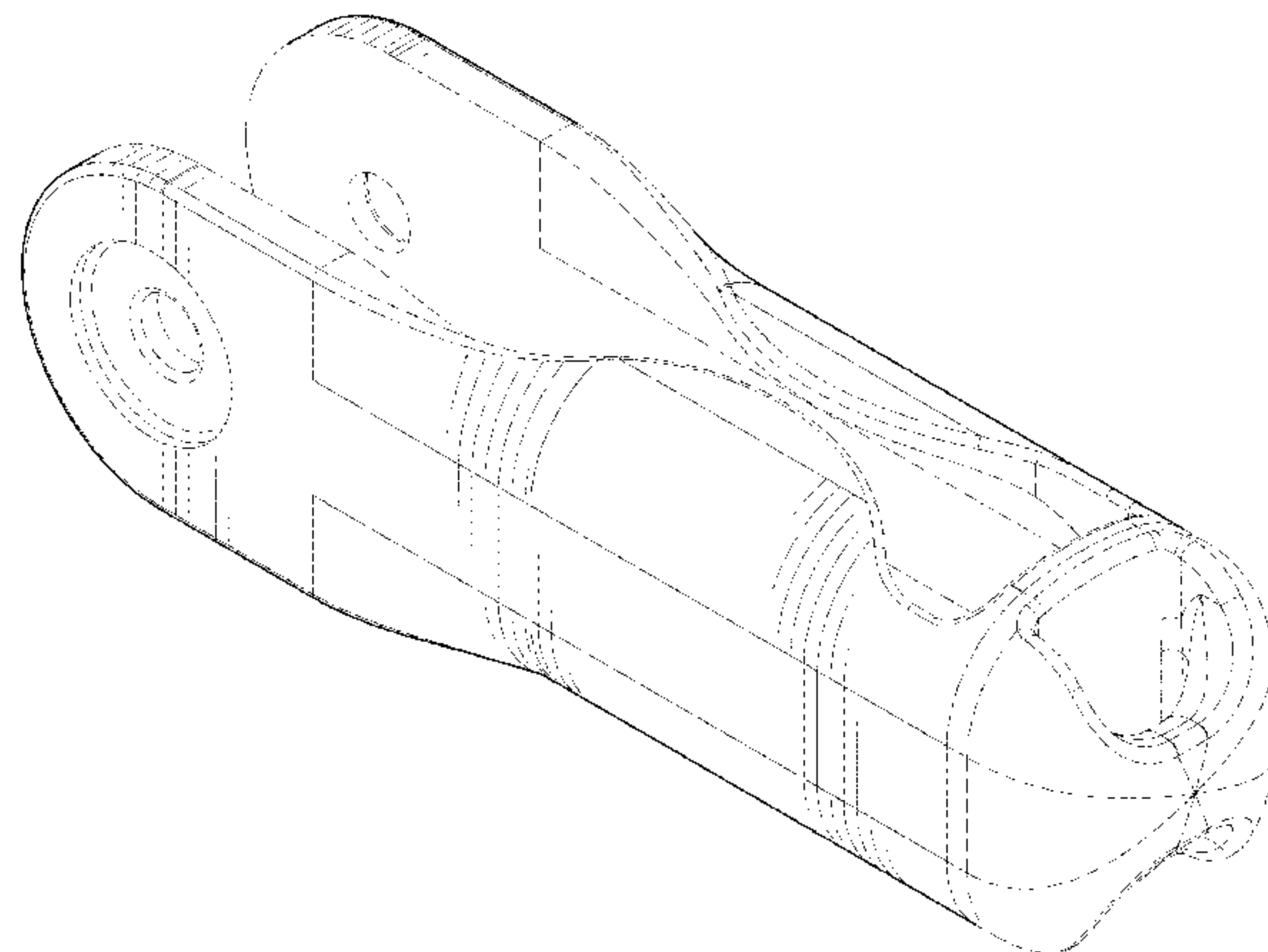
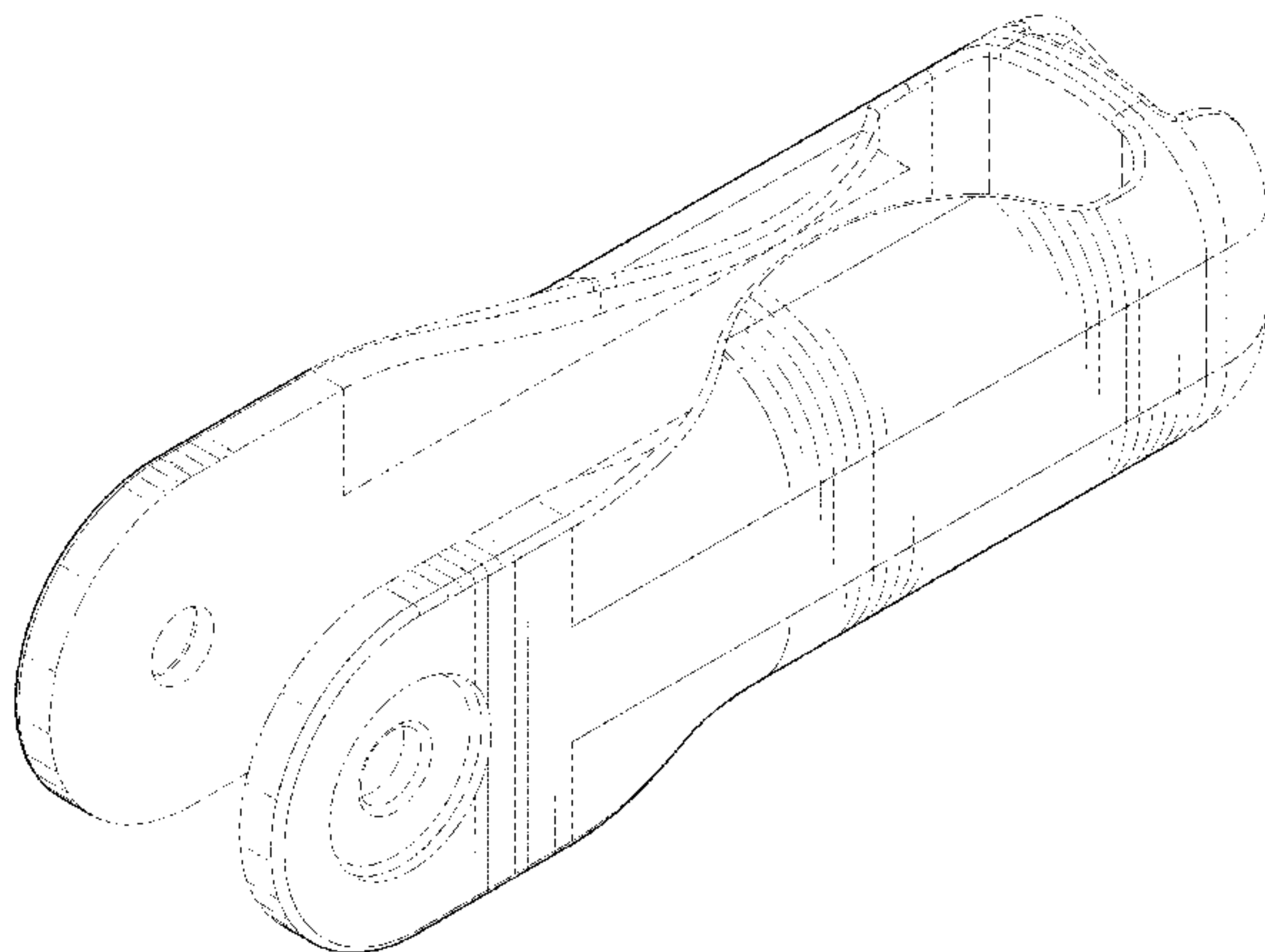
FIG. 7 is a front elevation view thereof;

FIG. 8 is a bottom plan view thereof; and,

FIG. 9 is a top plan view thereof.

The broken lines immediately adjacent to the shaded areas represent the bounds of the claimed design, while all other broken lines are directed to unclaimed environment and are for illustrative purposes only; the broken lines form no part of the claimed design.

**1 Claim, 8 Drawing Sheets**



(56)

References Cited

U.S. PATENT DOCUMENTS

1,974,558 A \* 9/1934 Andis ..... A45C 11/324  
70/456 R  
2,065,940 A \* 12/1936 Lane ..... A45C 11/324  
206/37.1  
2,306,970 A \* 12/1942 MacPherson ..... A45C 11/324  
206/37.4  
2,344,581 A 3/1944 Ziegeweid  
2,387,319 A 10/1945 Evans  
D156,677 S 12/1949 Smith  
2,493,330 A 1/1950 Zimmerman  
2,549,228 A 4/1951 Ostrander  
2,551,158 A \* 5/1951 Quan ..... A45C 11/32  
70/456 R  
2,595,981 A \* 5/1952 Prickett ..... A45C 11/324  
40/634  
2,607,210 A \* 8/1952 Chesak ..... A45C 11/324  
70/456 R  
2,659,231 A 11/1953 Glubiak  
2,790,319 A 4/1957 Brunner  
3,321,943 A 5/1967 Reyes  
3,355,917 A 12/1967 Albert  
3,436,942 A 4/1969 Procter  
3,455,131 A 7/1969 Shofner  
3,606,777 A 9/1971 Watson  
3,877,269 A \* 4/1975 Dehart ..... A45C 11/324  
70/456 R  
4,045,984 A 9/1977 McDonald  
4,253,321 A \* 3/1981 Sorensen ..... A45C 11/324  
70/456 R  
4,310,040 A \* 1/1982 Shainfeld ..... A45C 11/324  
206/37.4  
4,596,126 A \* 6/1986 Sorensen ..... A45C 11/324  
70/456 R  
4,646,913 A 3/1987 Wing et al.  
4,660,397 A \* 4/1987 Girimont ..... A45C 11/321  
70/456 B  
5,117,666 A \* 6/1992 Keefer ..... A45C 11/321  
70/456 R  
D332,384 S 1/1993 Dague  
D334,528 S 4/1993 Franklin  
5,199,560 A 4/1993 Lee et al.  
D356,019 S 3/1995 Sakai  
D357,166 S 4/1995 Concari  
D382,190 S 8/1997 Blackston et al.  
5,791,211 A 8/1998 Bondhus et al.  
D404,284 S 1/1999 Sacco et al.  
D405,675 S 2/1999 Rivera  
D410,189 S \* 5/1999 Wehrs ..... D8/105  
D434,302 S 11/2000 Van Den Acker  
D442,060 S 5/2001 Neset et al.

D442,061 S 5/2001 Harris et al.  
D447,925 S \* 9/2001 Osborne ..... D7/393  
D448,267 S \* 9/2001 Jean ..... D8/105  
6,892,558 B2 5/2005 Chodosh  
7,127,922 B2 10/2006 Khounsombath et al.  
7,481,137 B1 1/2009 Johnson  
D595,103 S \* 6/2009 Goodrich ..... D8/99  
D624,305 S 9/2010 Downes  
D630,079 S \* 1/2011 Seeds ..... D8/105  
D674,590 S 1/2013 Busch  
D683,951 S \* 6/2013 Busch ..... D3/207  
D693,202 S 11/2013 Berman  
D705,533 S 5/2014 Tunney  
D714,537 S \* 10/2014 Busch ..... D3/207  
D728,922 S \* 5/2015 Taylor ..... D3/207  
D749,837 S 2/2016 Du  
D754,427 S \* 4/2016 Tunney ..... D3/207  
D754,428 S \* 4/2016 Tunney ..... D3/207  
D756,629 S \* 5/2016 Tunney ..... D3/207  
D756,630 S \* 5/2016 Tunney ..... D3/207  
D771,936 S \* 11/2016 Shlaferman ..... D3/207  
D794,321 S \* 8/2017 Downes ..... D3/207  
D796,184 S \* 9/2017 Terkel ..... D3/207  
D811,846 S \* 3/2018 Johnson ..... D8/93  
2001/0012754 A1 8/2001 Anderson et al.  
2005/0103070 A1 5/2005 Meyerson et al.  
2006/0000250 A1 1/2006 Folger

OTHER PUBLICATIONS

Chums Key Quiver Compact Key Holder and Keychain Organizer, Amazon.com, Date First Available: Jan. 29, 2017, [online], [site visited May 5, 2018]. <URL: <https://www.amazon.com/Compact-Keychain-Organizer>—(Year: 2017).\*

The Best Key Organizers of 2017, EverydayCarry.com, Adam Molina, May 27, 2017, [online], [site visited May 5, 2018]. <URL: <http://everydaycarry.com/best-everyday-carry-key-organizers-2017>> (Year: 2017).\*

Minimalist Key Organizer, CaseScene.com, [online], [site visited May 5, 2018]. <URL: <https://www.casescene.com/products/minimalist-key-organizer>> (Year: 2018).\*

BladeKey LLC, et al., BladeKey Bolt—Open Source Pocket Key Organizer, <https://www.kickstarter.com/projects/bladekey/bladekeytm-bolt-open-source-pocket-key-organizer>, Apr. 13, 2016 ,Apr. 13, 2016 ,14.

Gerber Curve, et al., My New Custom “Multi-Key”, Made from a Gerber Curve!, <http://edcforums.com/threads/my-new-custom-multi-key-made-from-a-gerber-curve.78923> Apr. 13, 2016.

Key Ninja, et al., Key Ninja.

OmegaKey, et al., Welcome to OmegaKey Invents.

\* cited by examiner



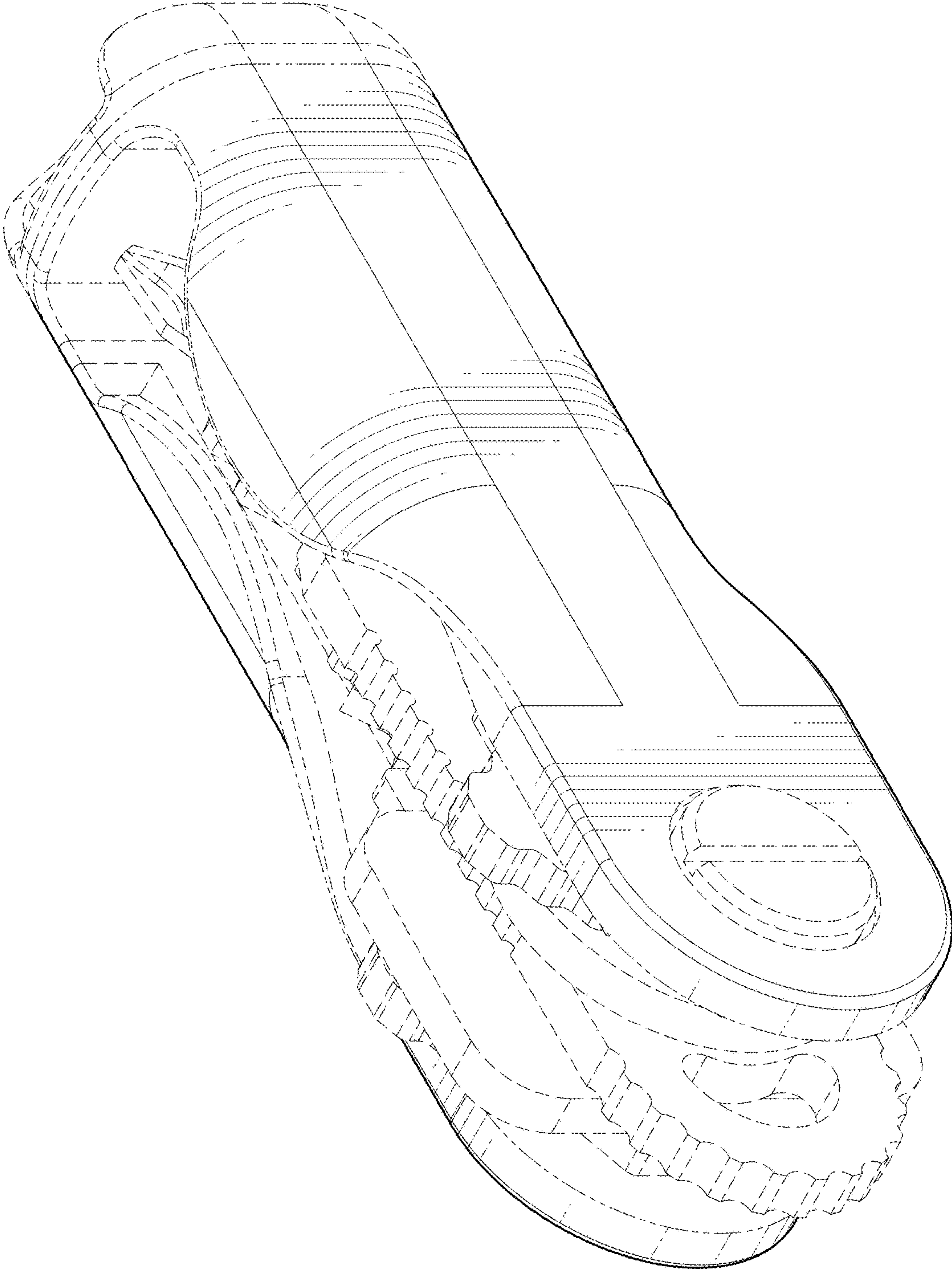


FIG. 1

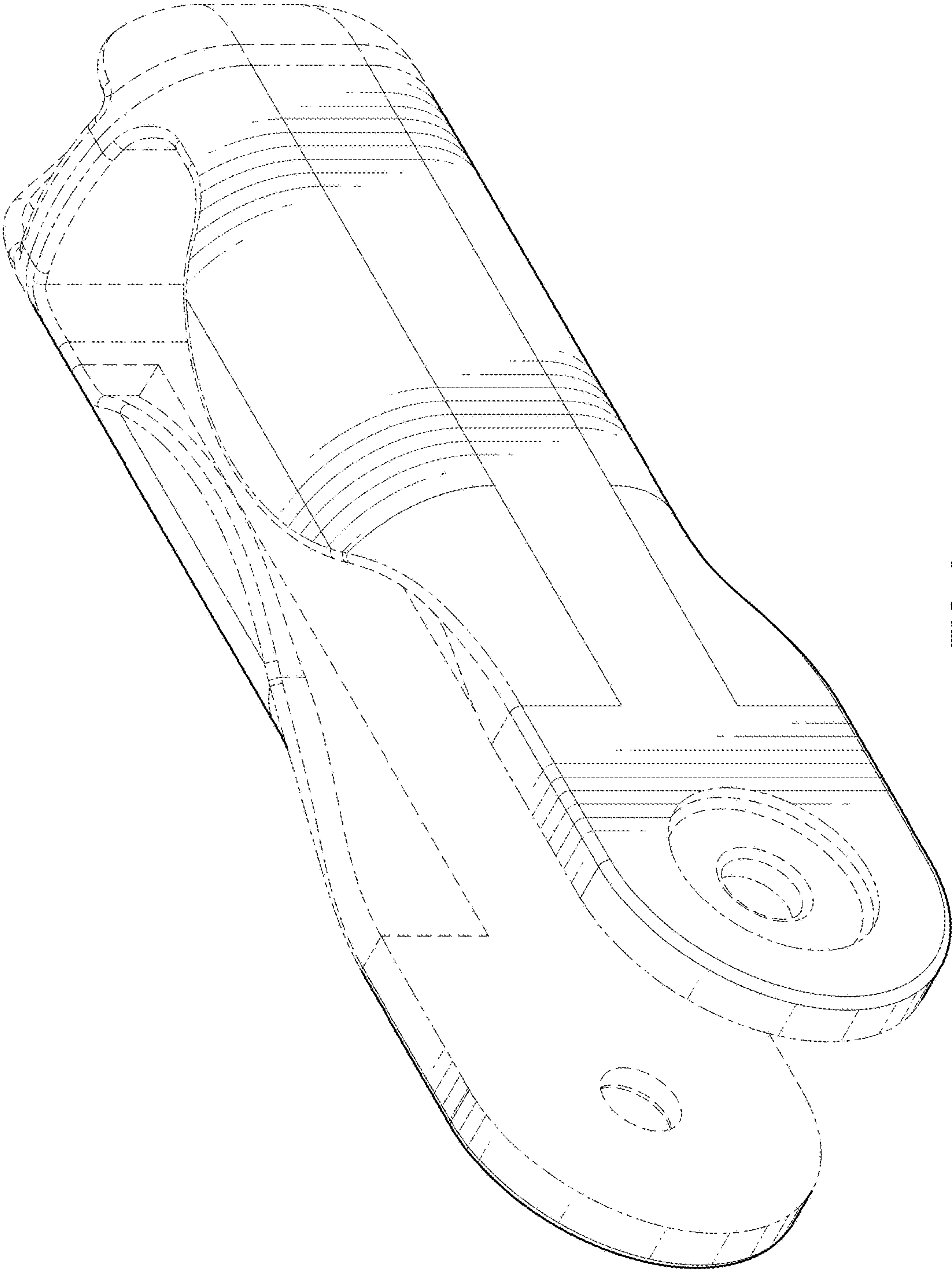


FIG. 2

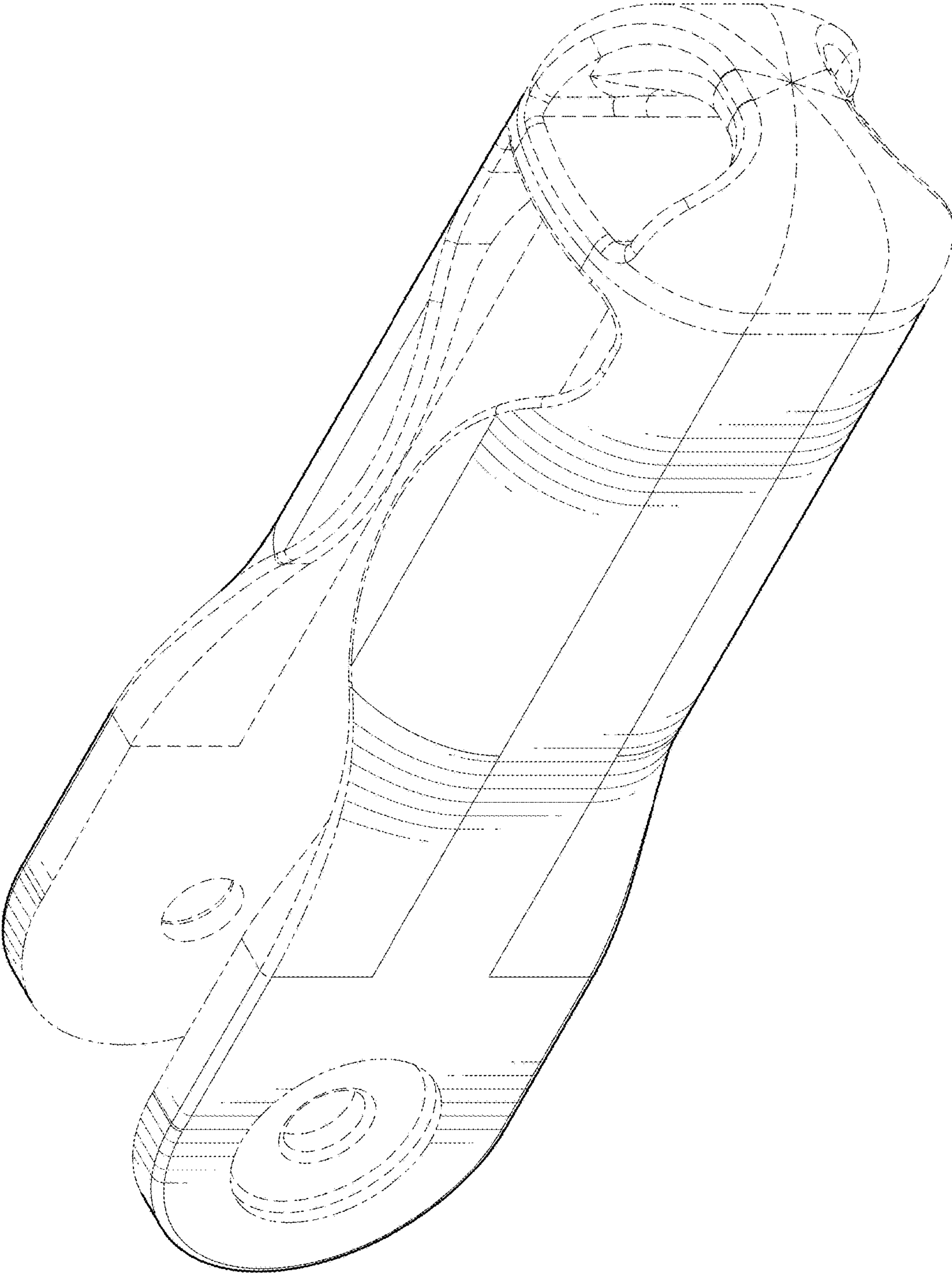


FIG. 3

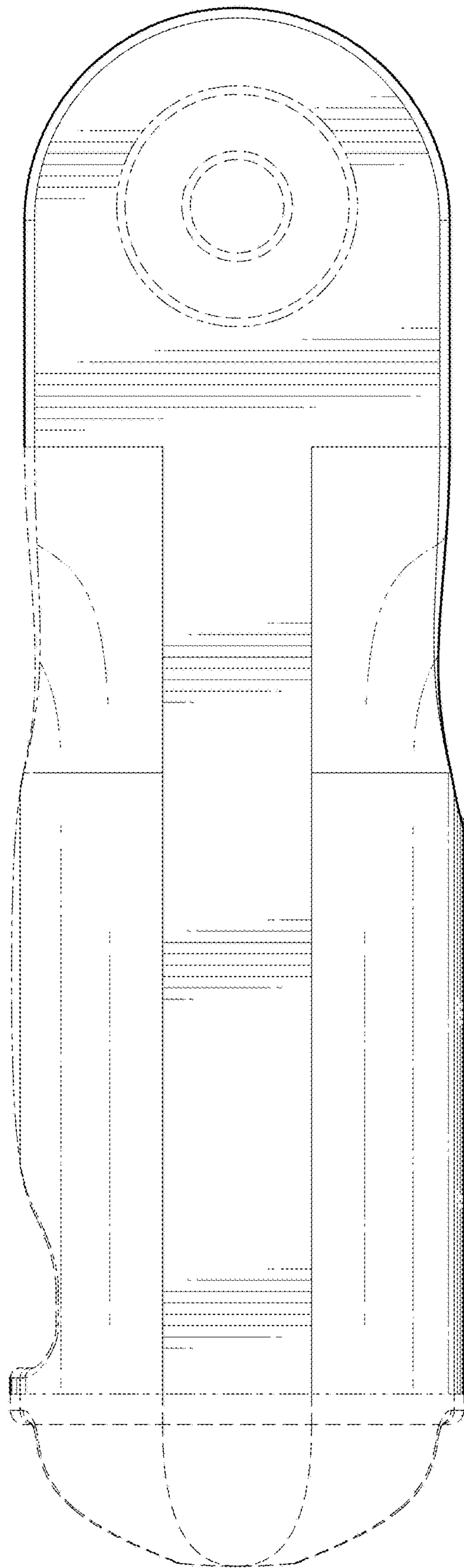


FIG. 4

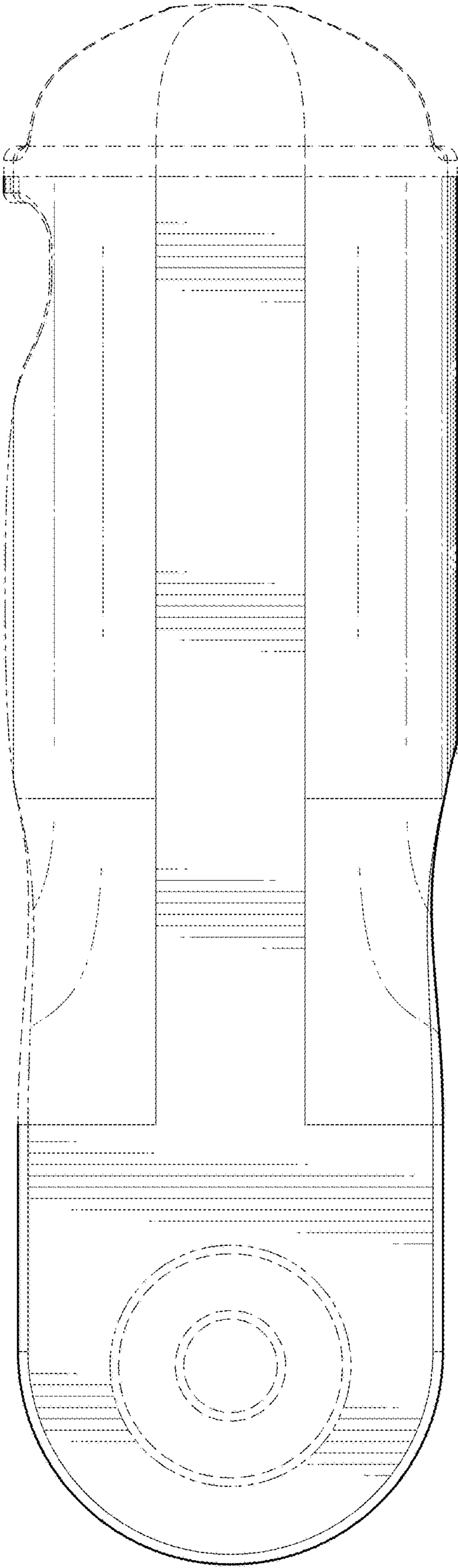


FIG. 5



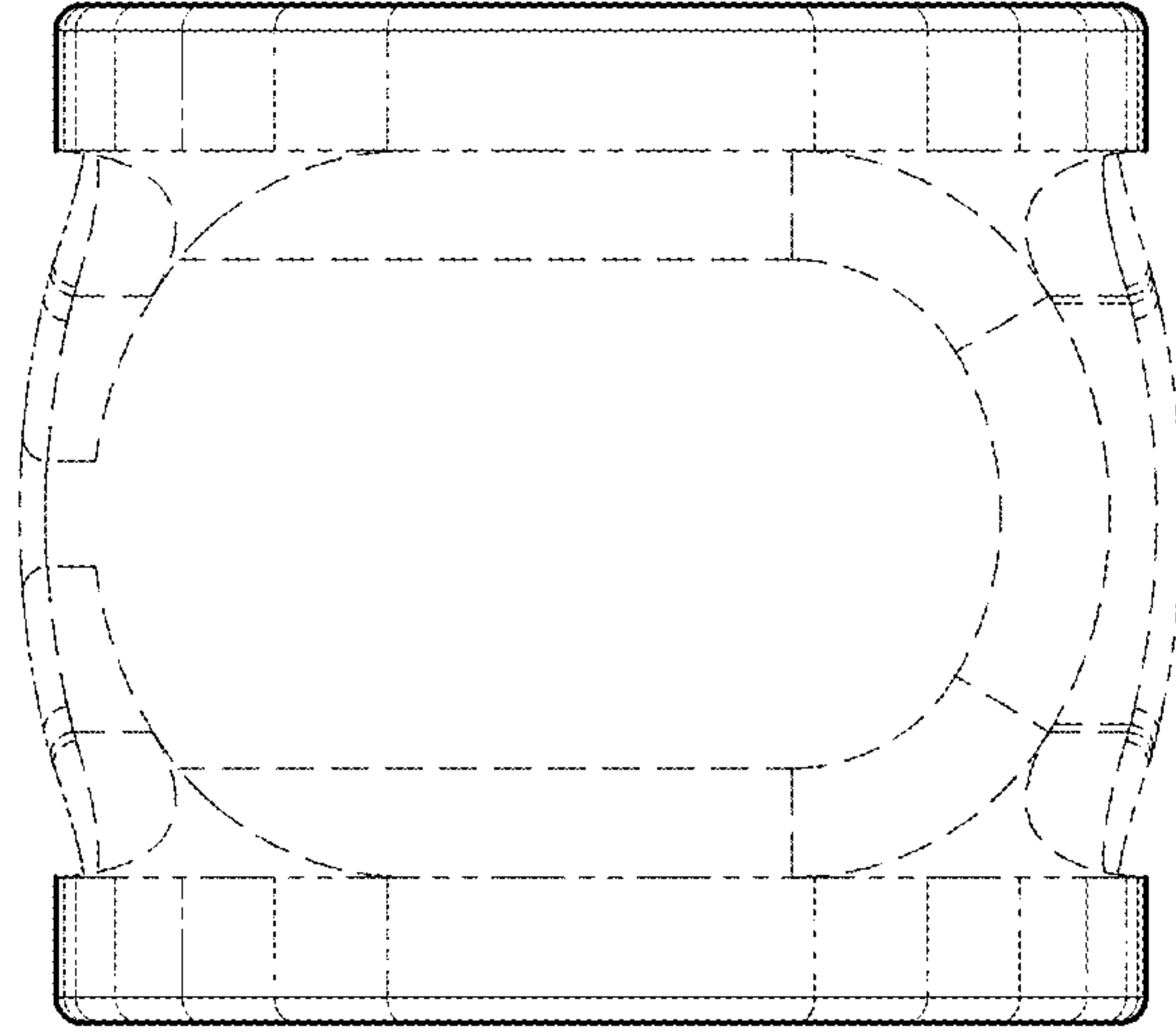


FIG. 7

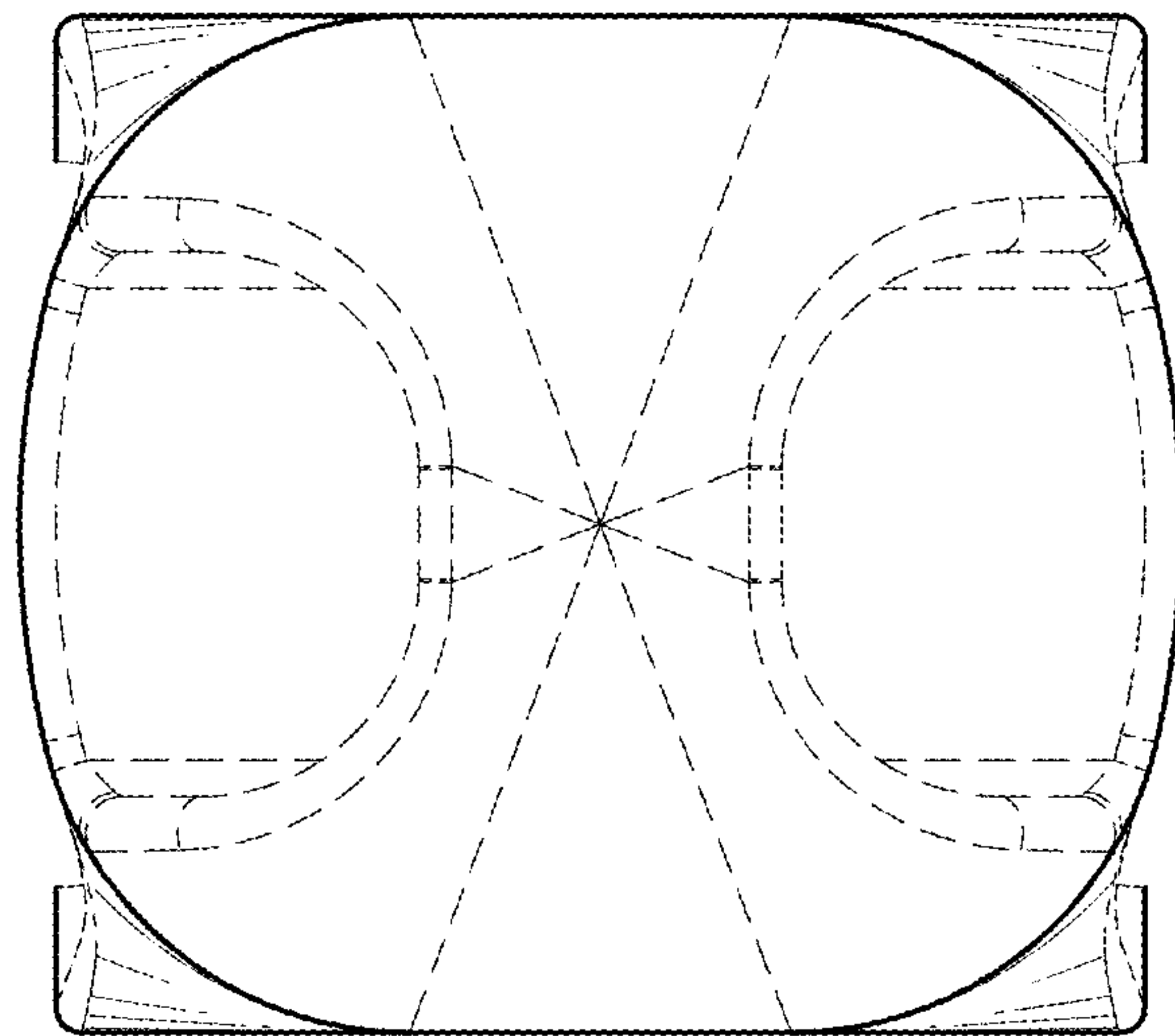


FIG. 6



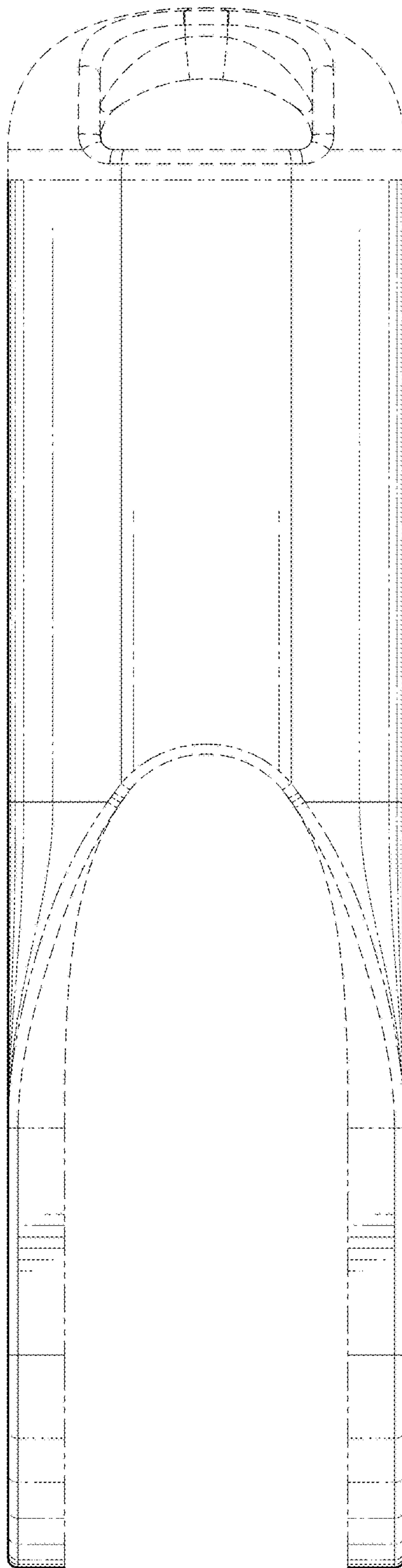


FIG. 8

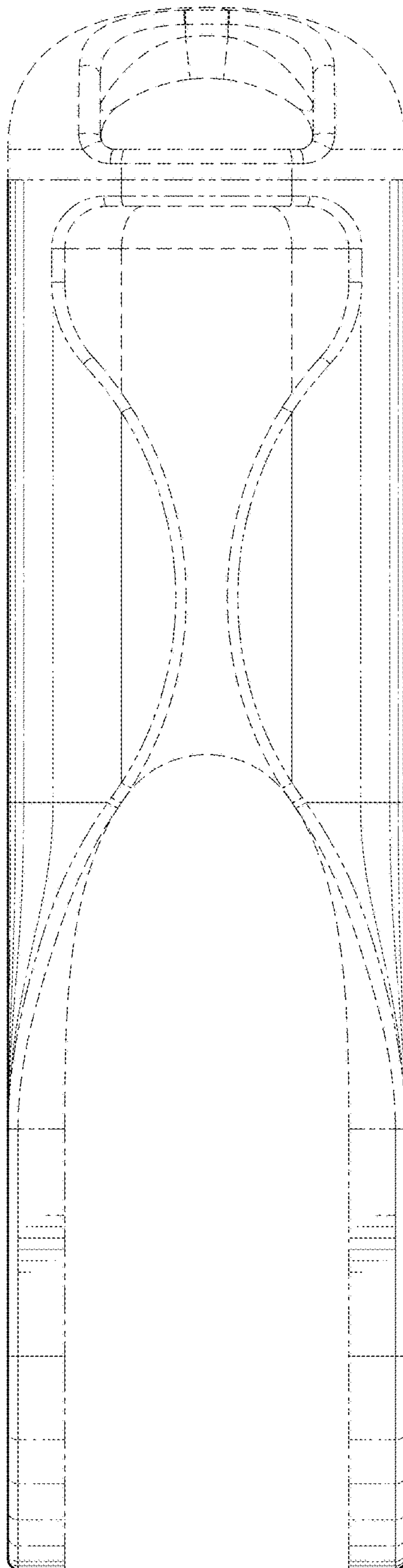


FIG. 9