



US00D833138S

(12) **United States Design Patent** (10) **Patent No.:** **US D833,138 S**  
**Devagnanam** (45) **Date of Patent:** **\*\* Nov. 13, 2018**

(54) **GIFT PLAQUE**  
(71) Applicant: **Needle Industries (India) Private Limited**, The Nilgiris, Tamil Nadu (IN)  
(72) Inventor: **Vasanthi Devagnanam**, Tamil Nadu (IN)  
(73) Assignee: **NEEDLE INDUSTRIES (INDIA) PRIVATE LIMITED**, The Nilgiris, Tamil Nadu (IN)

D289,143 S *	4/1987	Guillaume	.....	D9/445
D291,841 S *	9/1987	Owens	.....	D3/26
D354,909 S *	1/1995	Blanche	.....	D7/596
D492,600 S *	7/2004	Moore	.....	D9/503
D558,451 S *	1/2008	Roesler	.....	D3/282
D572,136 S *	7/2008	Boni	.....	D9/503
D633,800 S *	3/2011	Haywood	.....	D9/553
D683,535 S *	6/2013	King	.....	D3/20
D683,536 S *	6/2013	King	.....	D3/20
D698,266 S *	1/2014	Downs	.....	D9/524
D722,113 S *	2/2015	Knight	.....	D20/8
D741,717 S *	10/2015	Bar-Tal	.....	D9/550
D780,600 S *	3/2017	Stuart	.....	D3/302
2016/0075473 A1 *	3/2016	Stuart	.....	B65D 25/06 206/508

(\*\*) Term: **15 Years**

(21) Appl. No.: **29/549,610**

(22) Filed: **Dec. 28, 2015**

(30) **Foreign Application Priority Data**

Jun. 26, 2015 (IN) ..... 273164

(51) **LOC (11) Cl.** ..... **03-01**

(52) **U.S. Cl.**  
USPC ..... **D3/20**

(58) **Field of Classification Search**  
USPC ..... D3/18, 20, 26, 28, 201; D9/739, 740,  
D9/741, 743, 700  
CPC .... D05B 55/00; D05B 55/04; B65D 21/0209;  
B65D 83/02  
See application file for complete search history.

(56) **References Cited**

**U.S. PATENT DOCUMENTS**

D160,876 S *	11/1950	Mesi et al.	.....	D7/596
D248,194 S *	6/1978	Urben	.....	D3/20
D264,809 S *	6/1982	Takeuchi	.....	D9/700
D279,621 S *	7/1985	Richer	.....	D19/75

\* cited by examiner

*Primary Examiner* — John Windmuller

*Assistant Examiner* — Steven J Czyz

(74) *Attorney, Agent, or Firm* — Joseph G. Chu; JCIP

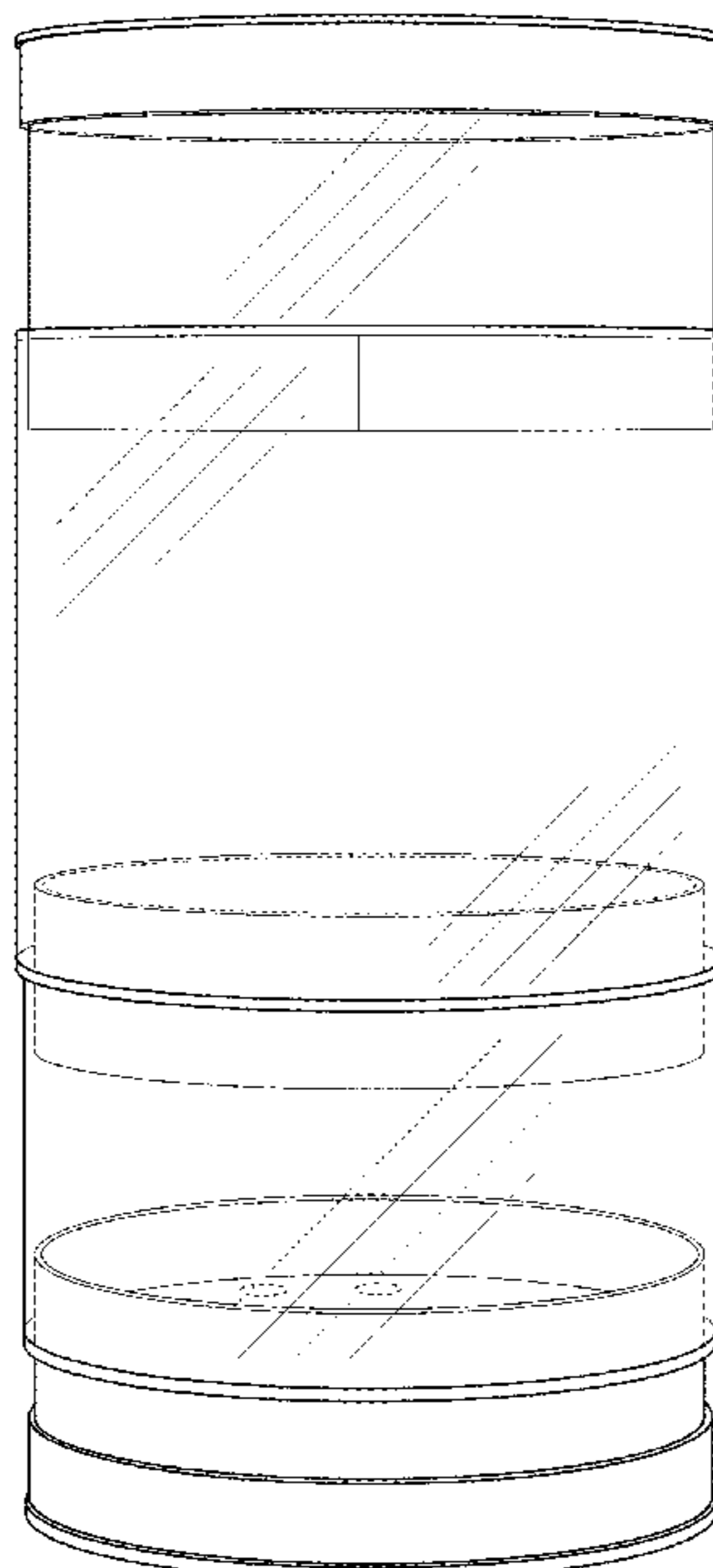
(57) **CLAIM**

The ornamental design for a gift plaque, as shown and described.

**DESCRIPTION**

FIG. 1 is a perspective view of a gift plaque of the present invention;  
FIG. 2 is a back view of the needle box;  
FIG. 3 is a top view of the needle box;  
FIG. 4 is a bottom view of the needle box;  
FIG. 5 is a left side view of the needle box;  
FIG. 6 is a right side view of the needle box; and,  
FIG. 7 is a front perspective view of the needle box.  
The broken lines depict portions of the article that form no part of the claimed design.

**1 Claim, 7 Drawing Sheets**



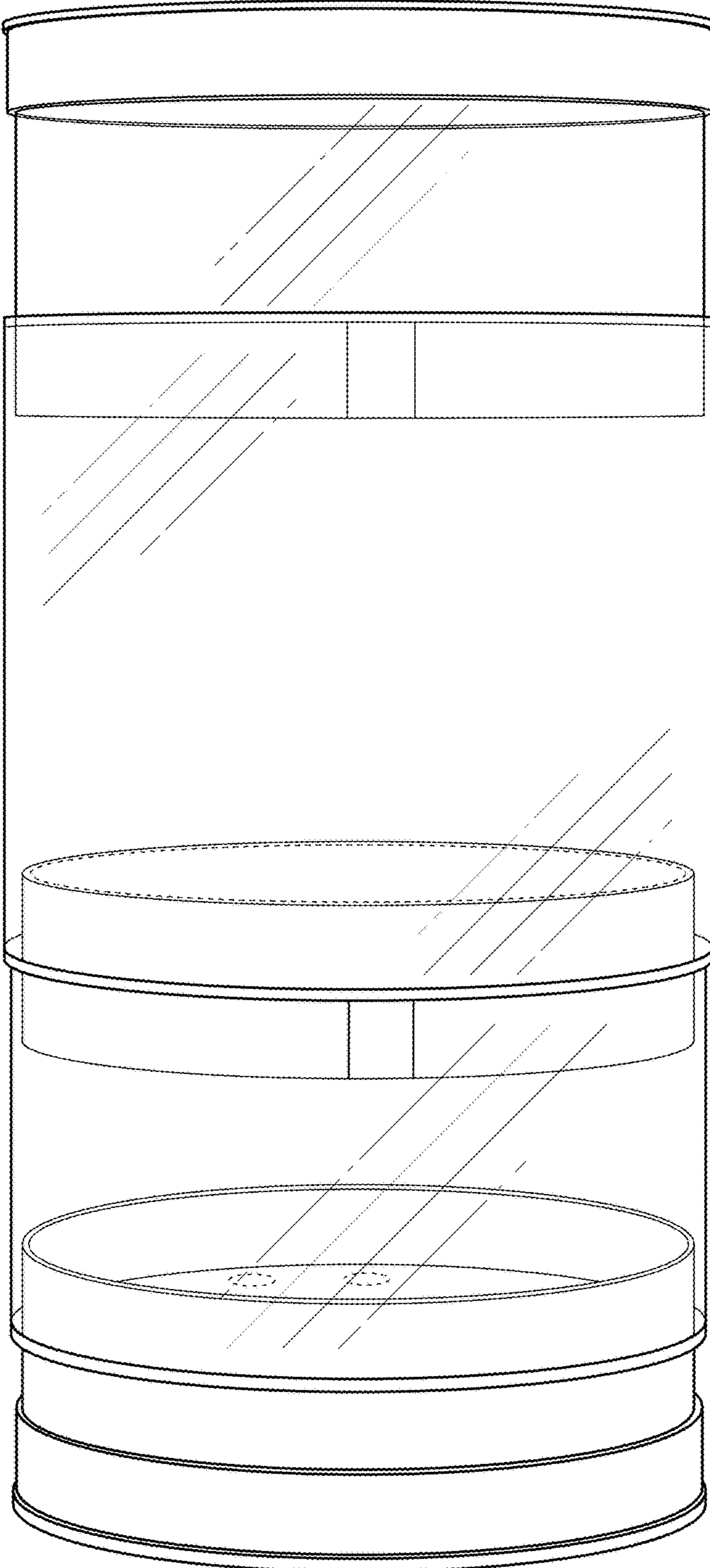


FIG. 1

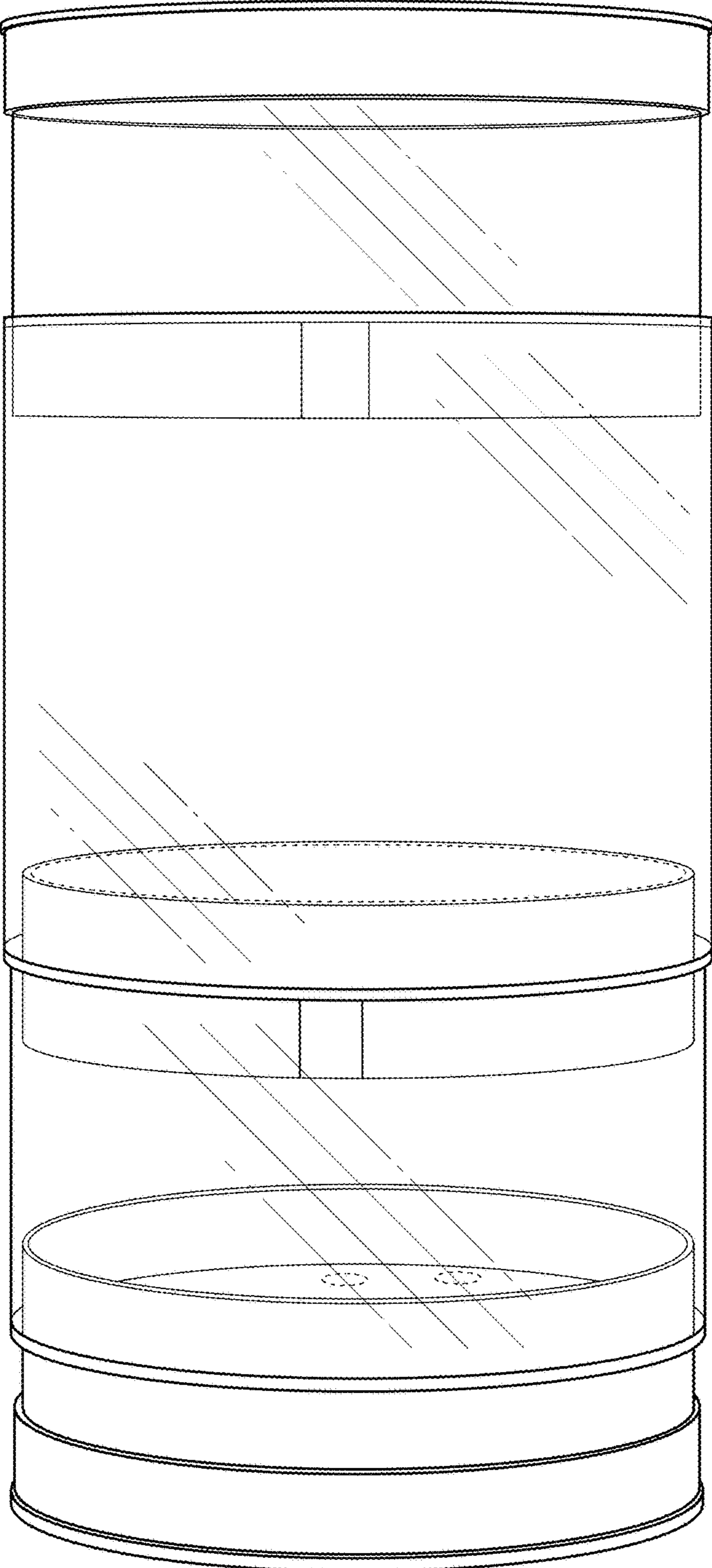


FIG. 2

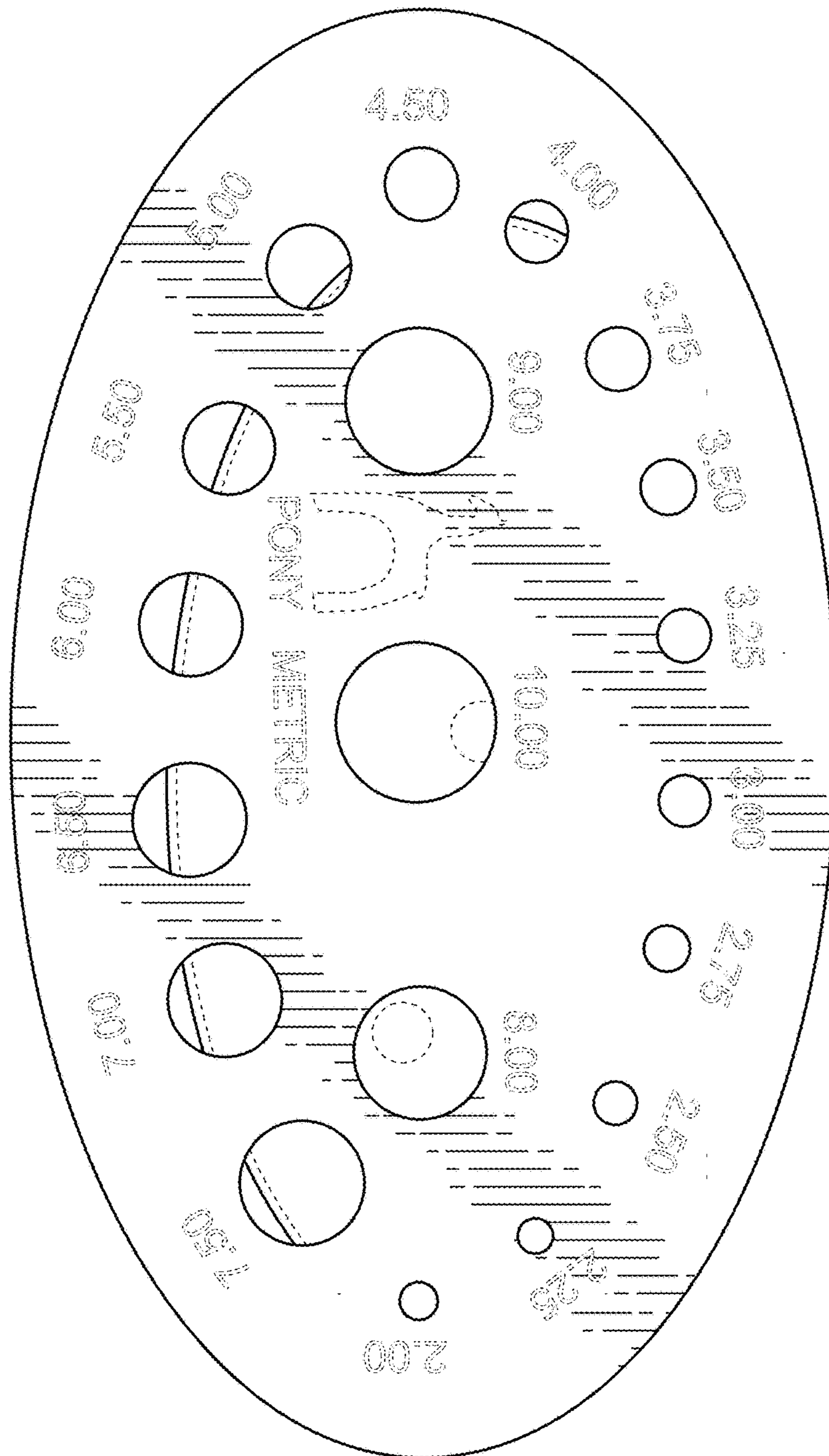


FIG. 3



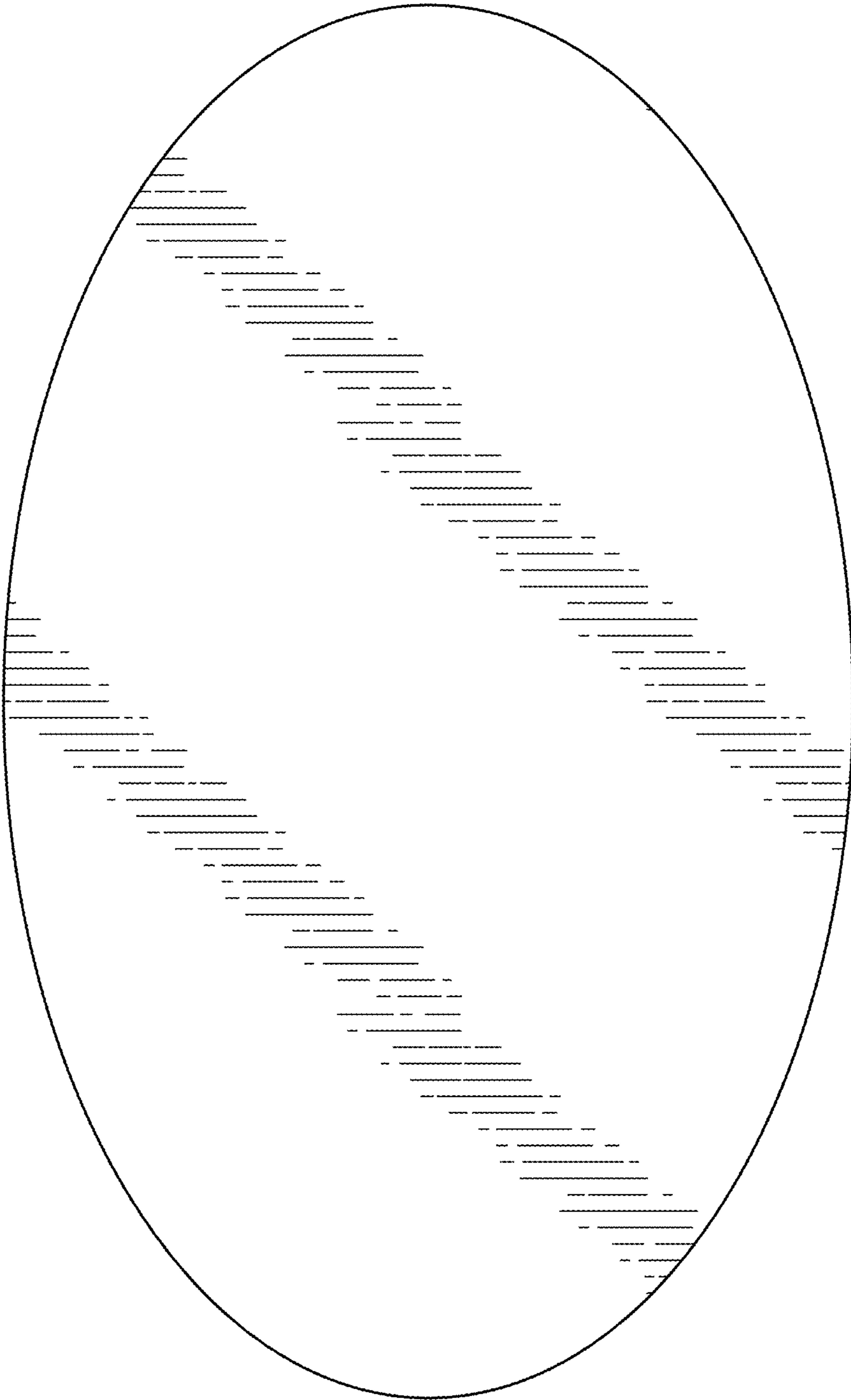


FIG. 4

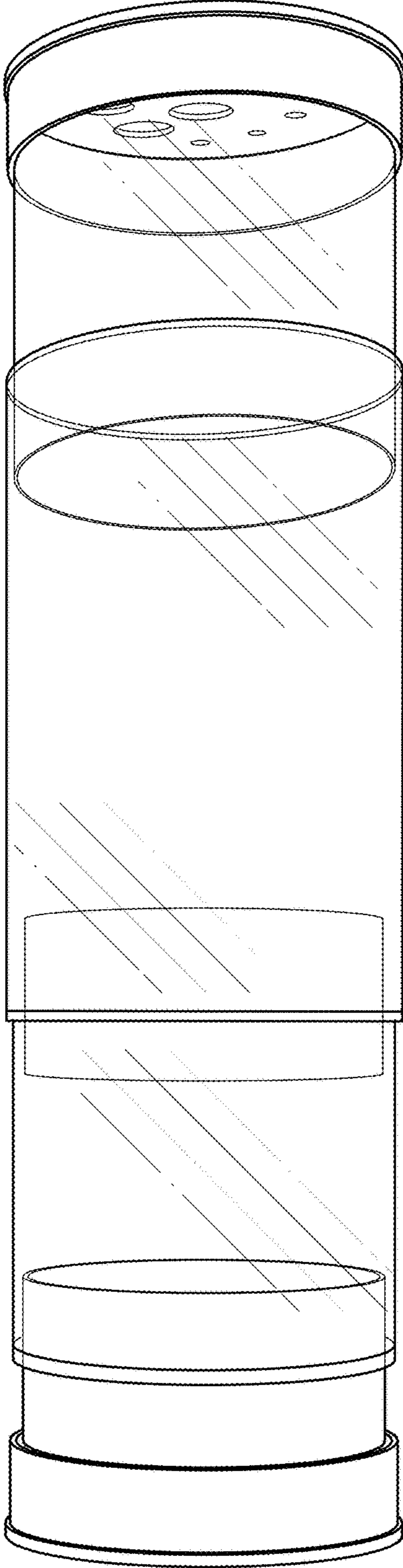


FIG. 5

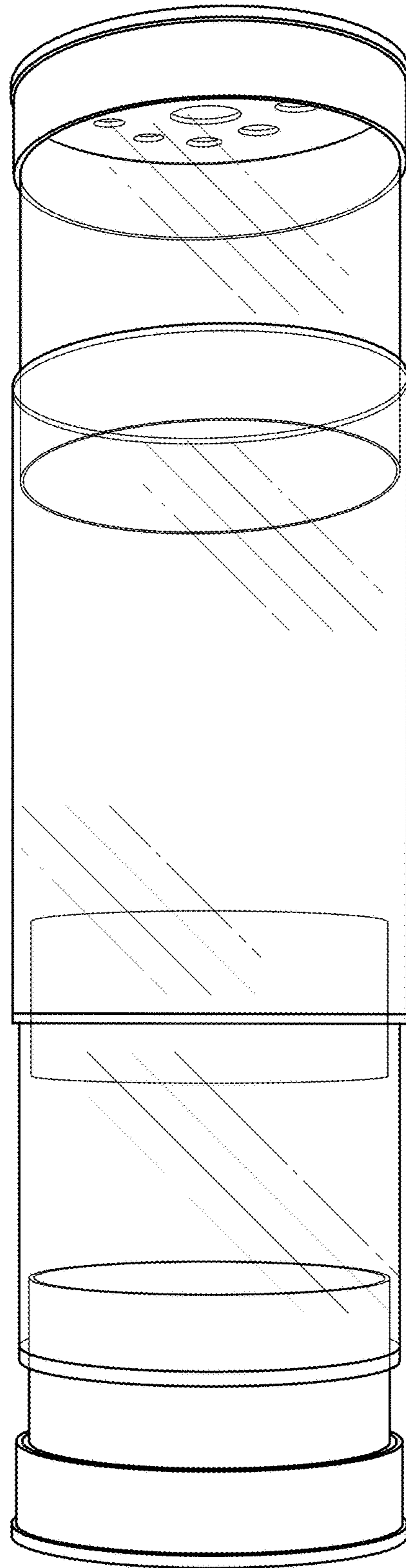


FIG. 6

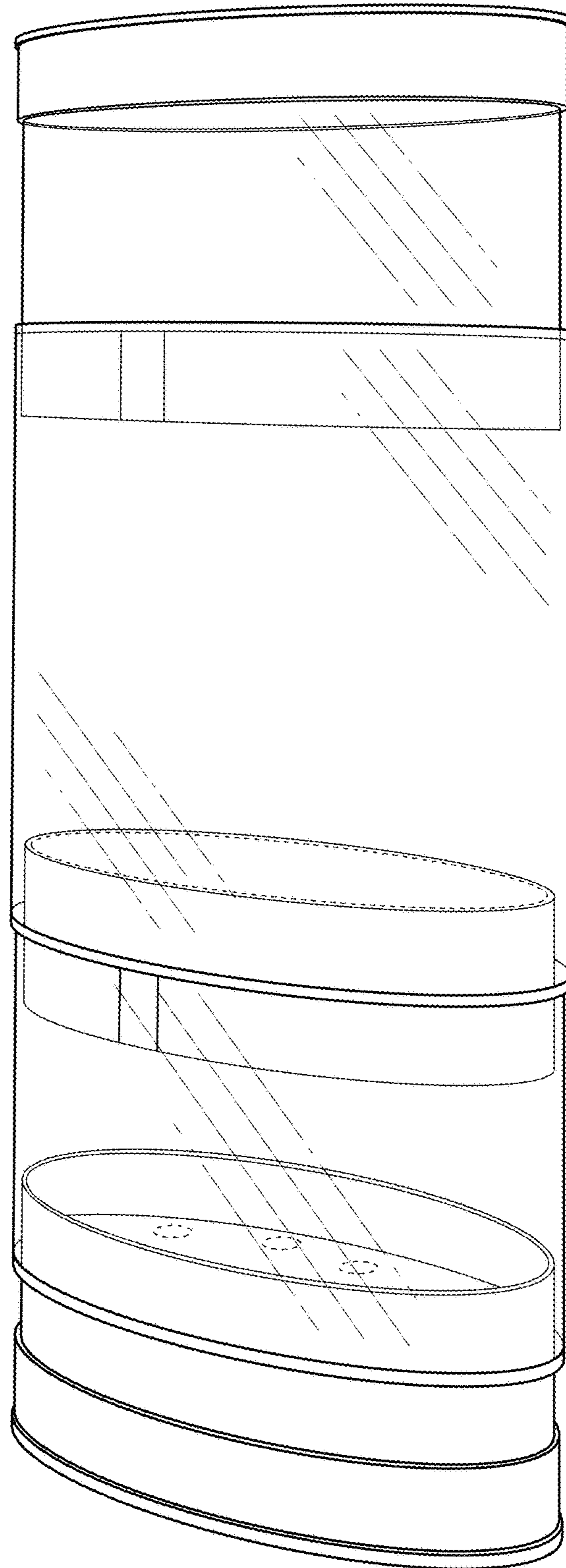


FIG. 7



UNITED STATES PATENT AND TRADEMARK OFFICE  
**CERTIFICATE OF CORRECTION**

PATENT NO. : D833,138 S  
APPLICATION NO. : 29/549610  
DATED : November 13, 2018  
INVENTOR(S) : Devagnanam

Page 1 of 1

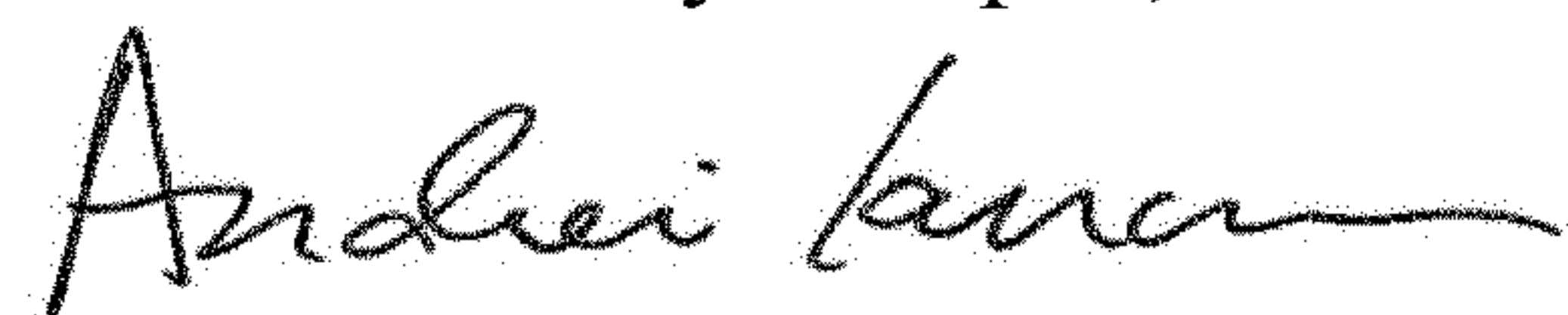
It is certified that error appears in the above-identified patent and that said Letters Patent is hereby corrected as shown below:

On the Title Page

Item (54) Title should read:

NEEDLE BOX

Signed and Sealed this  
Second Day of April, 2019



Andrei Iancu  
*Director of the United States Patent and Trademark Office*

UNITED STATES PATENT AND TRADEMARK OFFICE  
**CERTIFICATE OF CORRECTION**

PATENT NO. : D833,138 S  
APPLICATION NO. : 29/549610  
DATED : November 13, 2018  
INVENTOR(S) : Vasanthi Devagnanam

Page 1 of 1

It is certified that error appears in the above-identified patent and that said Letters Patent is hereby corrected as shown below:

On the Title Page

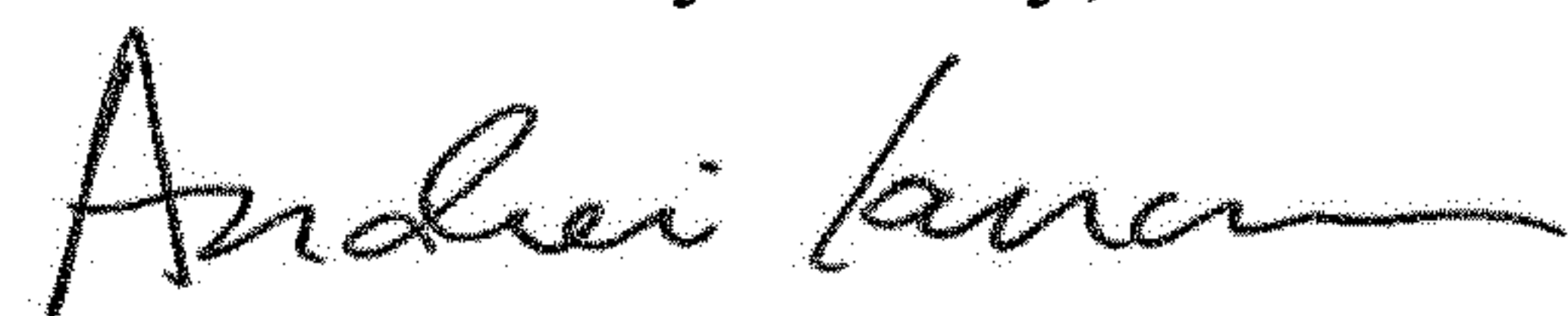
Item (57) CLAIM should read:

The ornamental design for a needle box, as shown and described.

DESCRIPTION of FIG. 1 should read:

FIG. 1 is a perspective view of a needle box of the present invention;

Signed and Sealed this  
Ninth Day of July, 2019



Andrei Iancu  
*Director of the United States Patent and Trademark Office*