



US00D833126S

(12) **United States Design Patent** (10) **Patent No.:** **US D833,126 S**  
**Laska** (45) **Date of Patent:** **\*\* Nov. 13, 2018**

(54) **FOOTWEAR**  
(71) Applicant: **Crocs, Inc.**, Niwot, CO (US)  
(72) Inventor: **Daniel S. Laska**, Lyons, CO (US)  
(73) Assignee: **Crocs, Inc.**, Niwot, CO (US)  
(\*\*) Term: **15 Years**  
(21) Appl. No.: **29/554,122**  
(22) Filed: **Feb. 8, 2016**  
(51) **LOC (11) Cl.** ..... **02-04**  
(52) **U.S. Cl.**  
USPC ..... **D2/923; D2/945**  
(58) **Field of Classification Search**  
USPC ..... D2/896, 898, 900, 902, 903, 906-911,  
D2/916-923, 925, 926, 929, 932,  
D2/938-994; 36/1, 1.5, 4, 7, 7.4, 7.5, 8,  
36/8.1, 11.5, 45-58, 77, 83, 84, 87-89,  
36/93, 100, 102, 104, 108, 109, 112-114,  
36/123-131  
CPC ..... A43B 5/10; A43B 7/085  
See application file for complete search history.

D651,390 S \* 1/2012 Van Zyll De Jong ..... D2/969  
D653,020 S \* 1/2012 Van Zyll De Jong ..... D2/923  
D659,953 S \* 5/2012 Van Zyll De Jong ..... D2/907  
D666,798 S \* 9/2012 Now ..... D2/969  
D666,799 S \* 9/2012 Now ..... D2/923  
D675,418 S \* 2/2013 Van Zyll De Jong ..... D2/945  
D676,223 S \* 2/2013 Dill ..... D2/923  
D677,865 S \* 3/2013 Van Zyll De Jong ..... D2/945  
D689,673 S \* 9/2013 Kampff ..... D2/908  
D690,488 S \* 10/2013 Reed ..... D2/923  
D720,920 S \* 1/2015 Santos ..... D2/923  
D732,804 S \* 6/2015 Fongher ..... D2/907  
9,282,787 B2 3/2016 Ferniani et al.  
D760,484 S 7/2016 Del Biondi et al.  
D763,555 S \* 8/2016 Engerman ..... D2/923  
2013/0036628 A1 \* 2/2013 Hussey ..... A43B 3/0078  
36/87

\* cited by examiner

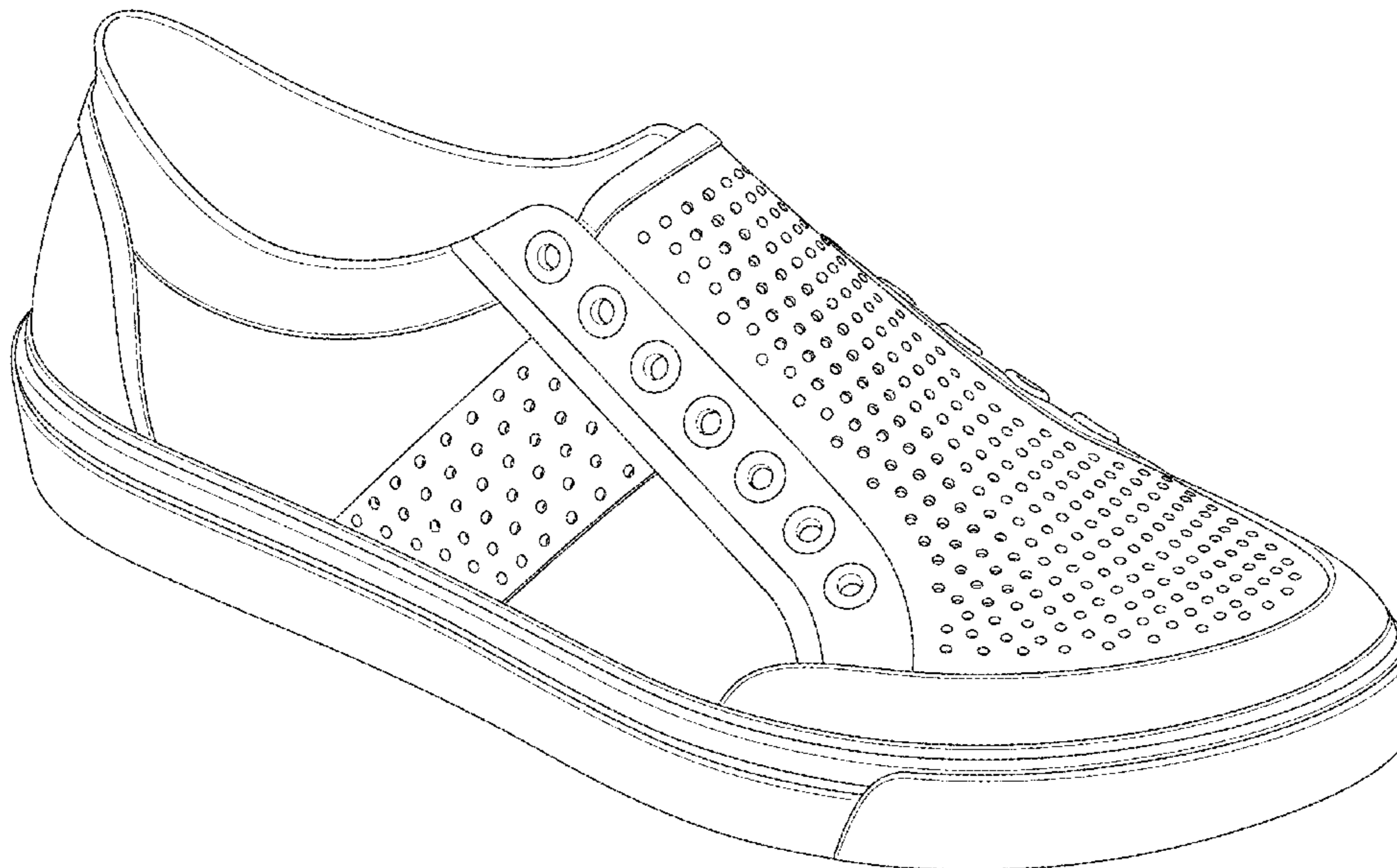
*Primary Examiner* — Garth Rademaker  
*Assistant Examiner* — Katelin G Kloberg  
(74) *Attorney, Agent, or Firm* — Wilmer Cutler Pickering  
Hale and Dorr LLP

(57) **CLAIM**  
The ornamental design for footwear, as shown and  
described.

(56) **References Cited**  
**U.S. PATENT DOCUMENTS**  
D96,687 S \* 8/1935 Lutz ..... D2/945  
D447,617 S \* 9/2001 Matis ..... D2/902  
D472,696 S \* 4/2003 Magro ..... D2/902  
D492,103 S \* 6/2004 Galway ..... D2/969  
D517,789 S 3/2006 Seamans  
D523,615 S \* 6/2006 Burg ..... D2/969  
D545,545 S \* 7/2007 Matis ..... D2/969  
D624,288 S \* 9/2010 Choi ..... D2/896  
D629,594 S \* 12/2010 Mann ..... D2/902  
D651,387 S \* 1/2012 Van Zyll De Jong ..... D2/969  
D651,388 S \* 1/2012 Van Zyll De Jong ..... D2/969

**DESCRIPTION**  
FIG. 1 is a front perspective view of footwear;  
FIG. 2 is a front view thereof;  
FIG. 3 is a back view thereof;  
FIG. 4 is a right side elevational view thereof;  
FIG. 5 is a left side elevational view thereof;  
FIG. 6 is a top view thereof; and,  
FIG. 7 is a bottom view thereof.  
In the drawings, the broken lines depict environmental  
subject matter only and form no part of the claimed design.

**1 Claim, 7 Drawing Sheets**



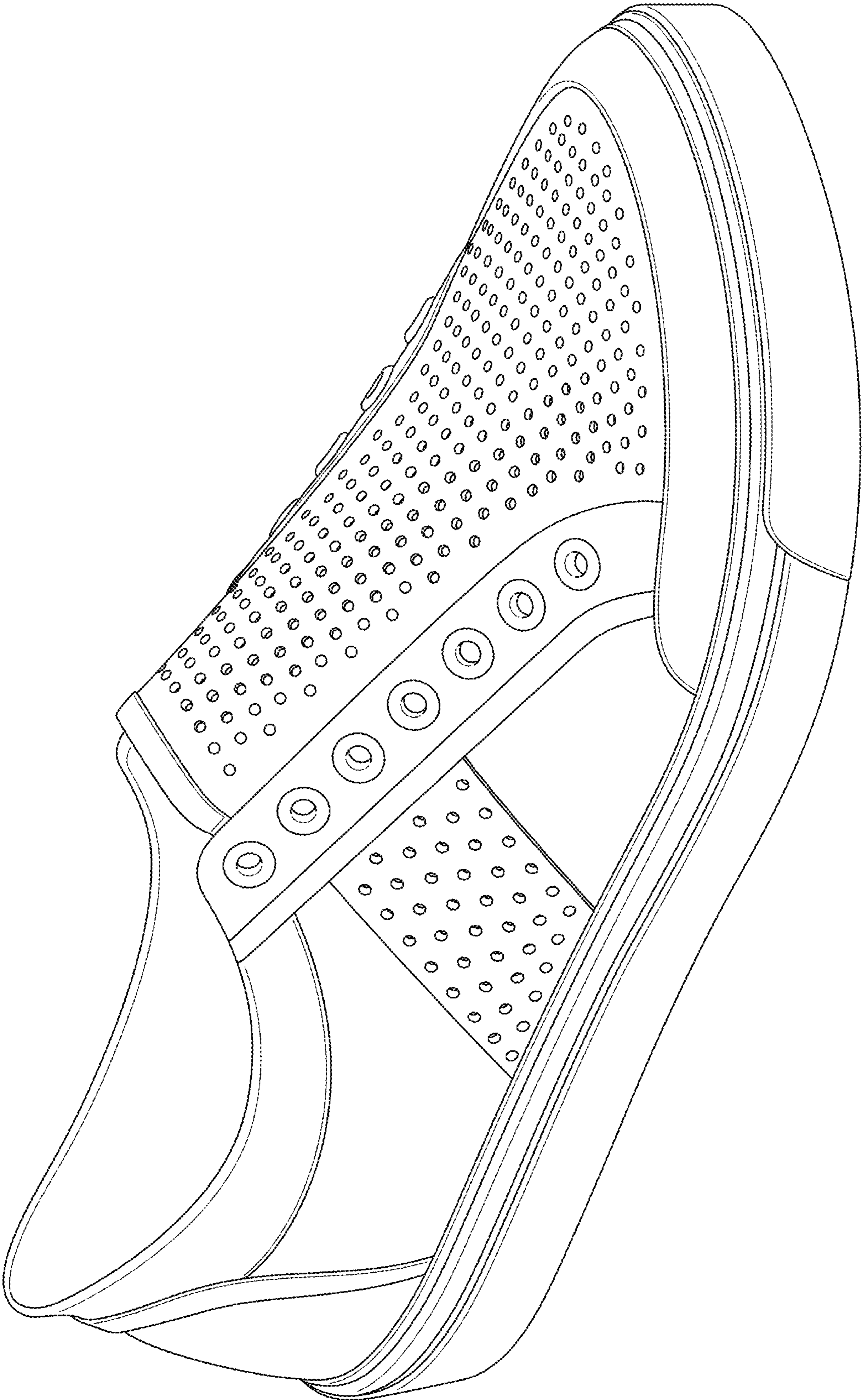


FIG. 1

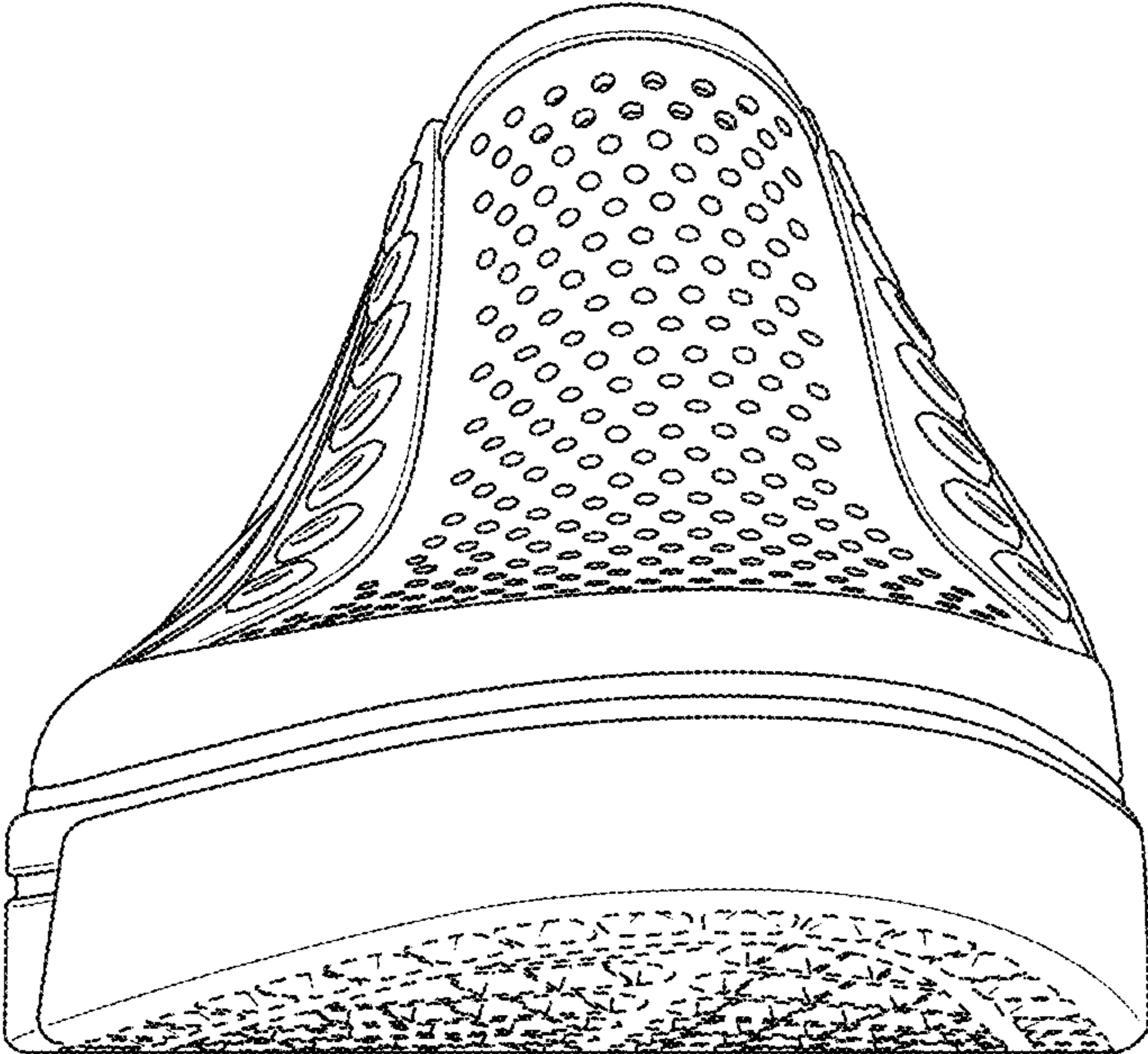


FIG. 2



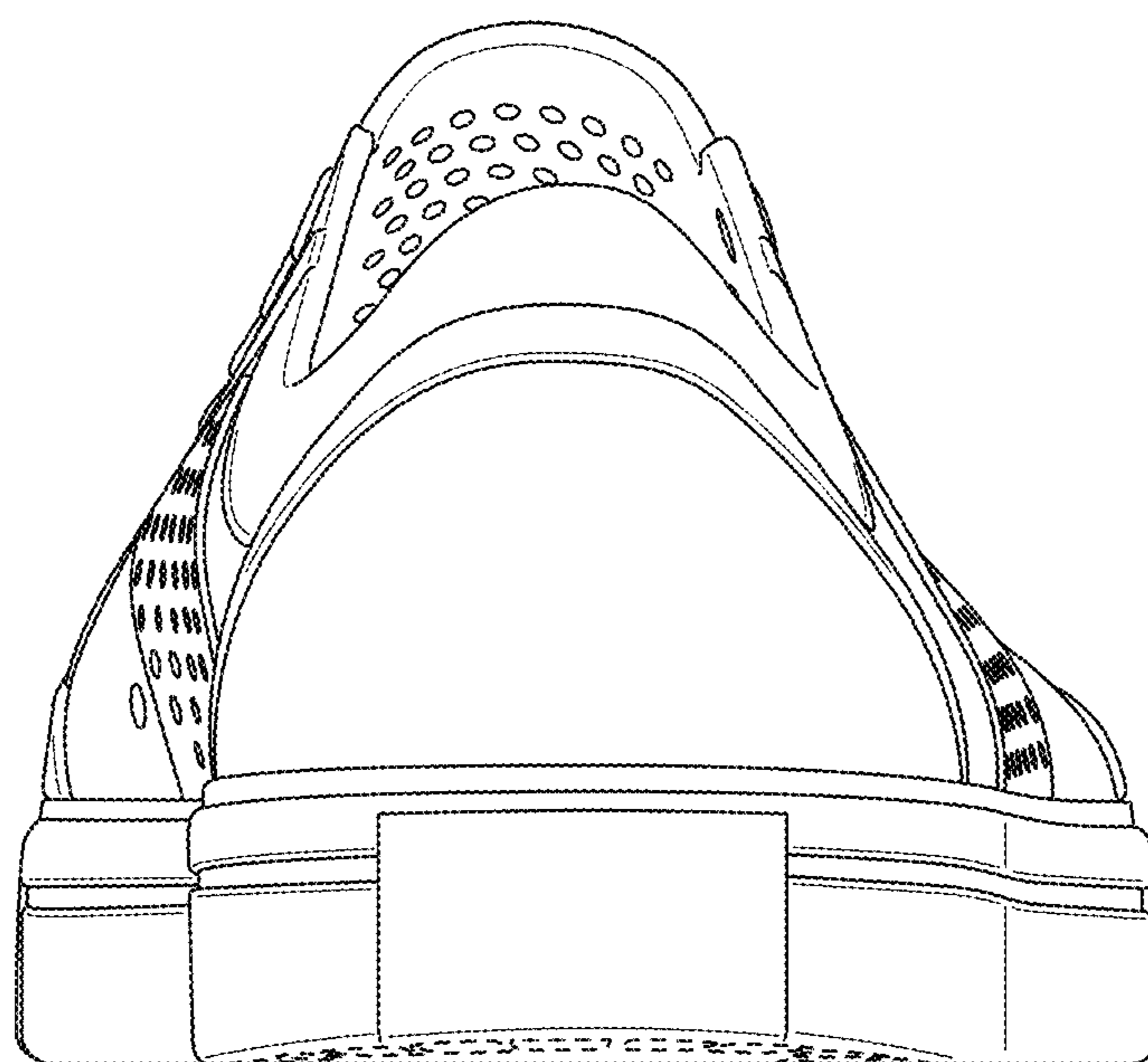


FIG. 3

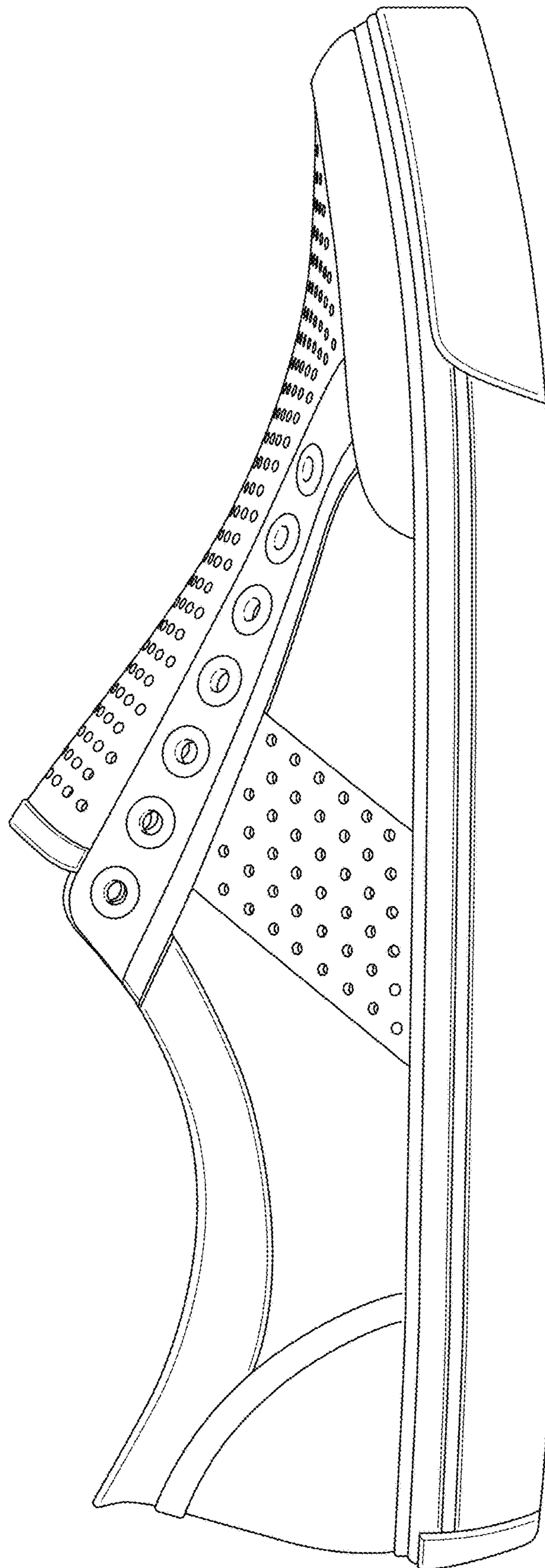


FIG. 4

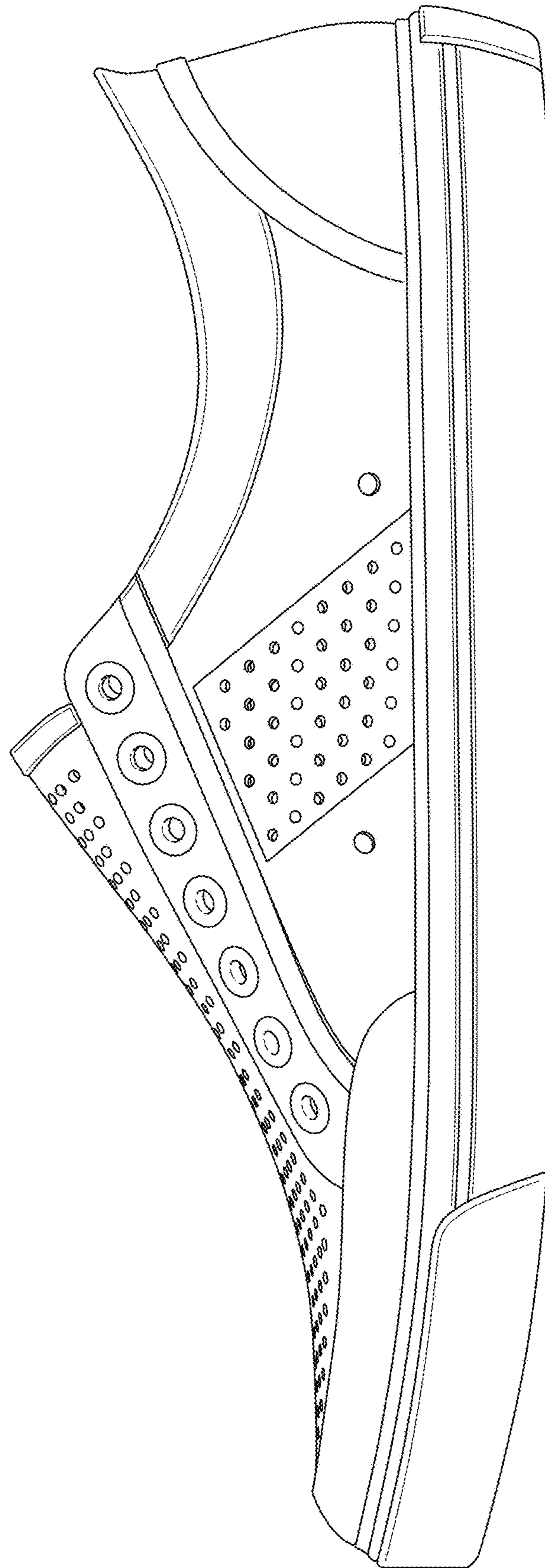


FIG. 5

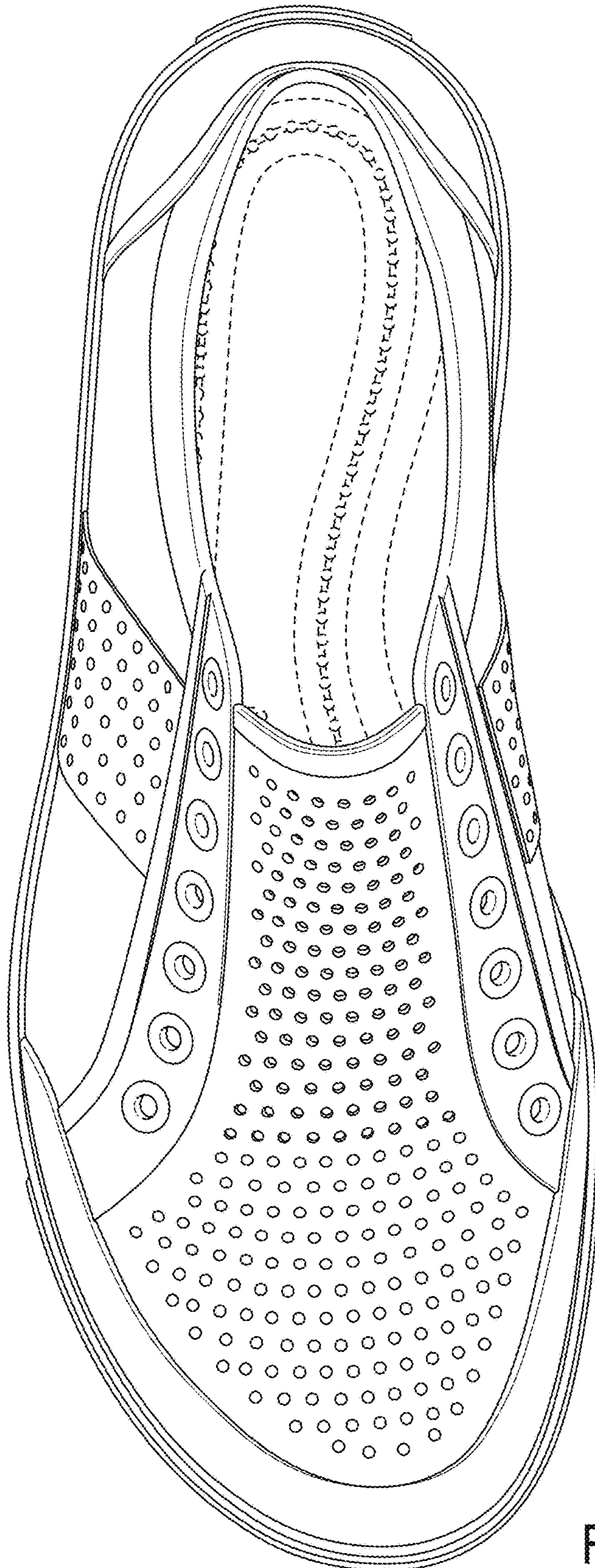


FIG. 6



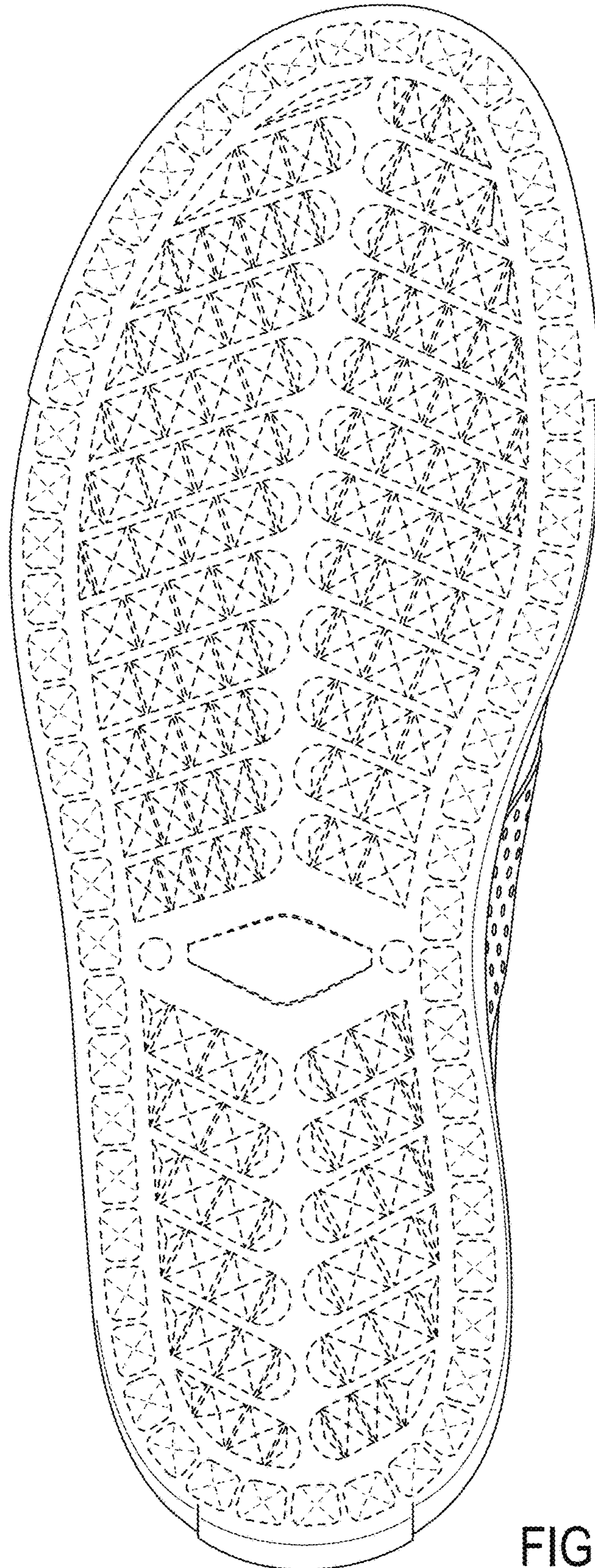


FIG. 7