



US00D833121S

(12) **United States Design Patent**
Darby

(10) **Patent No.:** **US D833,121 S**

(45) **Date of Patent:** **** Nov. 13, 2018**

(54) **HAT VISOR**

(71) Applicant: **Bruce Darby**, Oswego, IL (US)

(72) Inventor: **Bruce Darby**, Oswego, IL (US)

(**) Term: **15 Years**

(21) Appl. No.: **29/613,078**

(22) Filed: **Aug. 7, 2017**

(51) **LOC (11) Cl.** **02-03**

(52) **U.S. Cl.**
USPC **D2/891**

(58) **Field of Classification Search**
USPC D2/865, 866, 869, 872, 873, 876, 879,
D2/882, 883, 884, 886, 891, 893, 895;
D12/191; D14/372; D16/306, 310, 314,
D16/325, 340; D29/109, 110, 122
CPC A42B 1/00; A42B 1/004; A42B 1/006;
A42B 1/02; A42B 1/06; A42B 1/061;
A42B 1/062; A42B 1/063; A42B 1/24;
A42B 1/241
See application file for complete search history.

6,021,525 A * 2/2000 Mertins A42B 1/067
2/172

6,174,058 B1 * 1/2001 Hsiao A42B 1/062
2/10

6,662,371 B2 * 12/2003 Shin A42B 1/247
2/10

D541,991 S * 5/2007 Lawrence D29/110

D586,052 S * 2/2009 Elias D29/122

D661,841 S * 6/2012 Klotz D29/109

D662,261 S * 6/2012 Klotz D29/109

D721,758 S * 1/2015 Cazalet D16/314

D741,763 S * 10/2015 Levi D12/191

D749,585 S * 2/2016 Olsson D14/372

D770,147 S * 11/2016 Byrd D2/891

D771,877 S * 11/2016 Vondrak D29/122

D806,366 S * 1/2018 Hamilton D2/893

* cited by examiner

Primary Examiner — Karen S Acker
Assistant Examiner — Jasmine Mlinarcik
 (74) *Attorney, Agent, or Firm* — Justin Lampel

(57) **CLAIM**

The ornamental design for a hat visor, as shown and described.

DESCRIPTION

FIG. 1 is a front perspective view of a hat visor.
 FIG. 2 is a front view of the hat visor.
 FIG. 3 is a rear view of the hat visor.
 FIG. 4 is a right view of the hat visor.
 FIG. 5 is a left view of the hat visor.
 FIG. 6 is a top view of the hat visor.
 FIG. 7 is a bottom view of the hat visor; and,
 FIG. 8 is a perspective view of the hat visor in an alternative configuration.
 The broken lines illustrating the hat in FIGS. 1-8 depict environmental subject matter that forms no part of the claimed design.

1 Claim, 8 Drawing Sheets

(56) **References Cited**

U.S. PATENT DOCUMENTS

1,665,513 A * 4/1928 Thomas A42B 1/247
2/10

2,481,960 A * 9/1949 Wall A42B 1/062
16/257

D199,931 S * 12/1964 Kline 2/9

D310,810 S * 9/1990 Lewis D12/191

D333,366 S * 2/1993 Brown D29/109

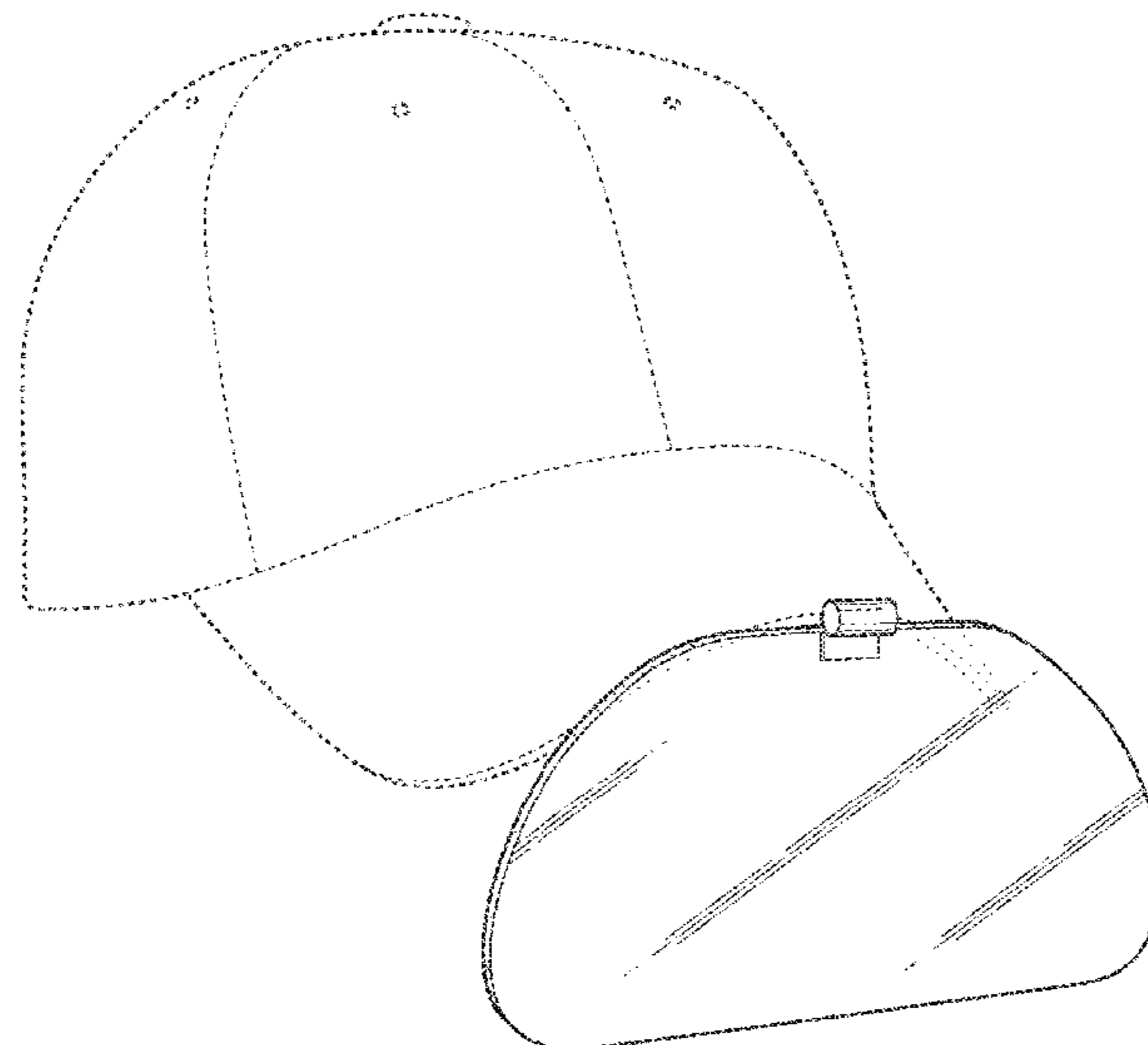
D337,124 S * 7/1993 Hall D16/314

D344,530 S * 2/1994 Johnson D12/191

D364,033 S * 11/1995 Romano D12/191

5,813,048 A * 9/1998 Thom A42B 3/221
2/424

5,870,772 A * 2/1999 Sprouse A42B 1/064
2/10



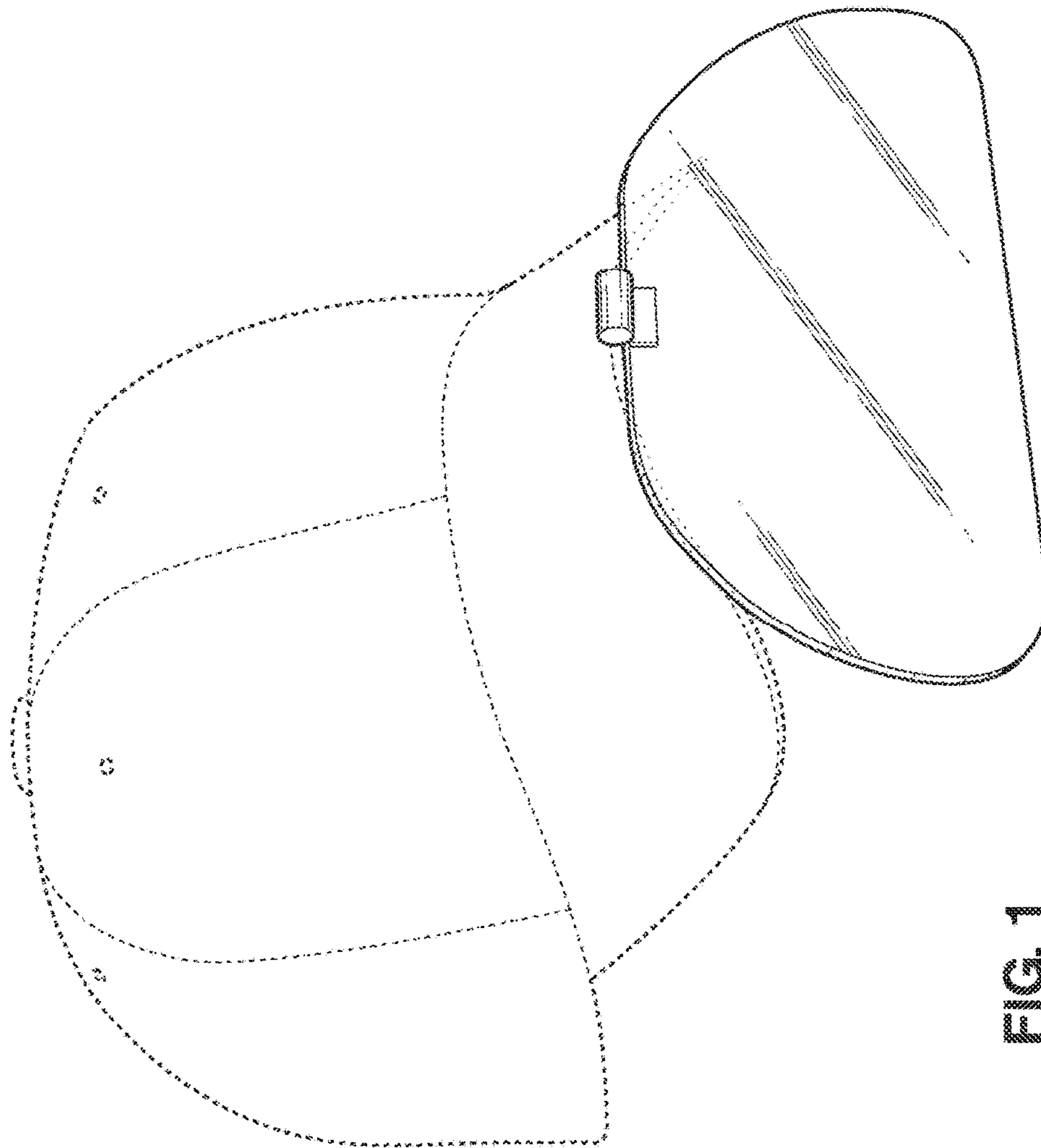


FIG. 1

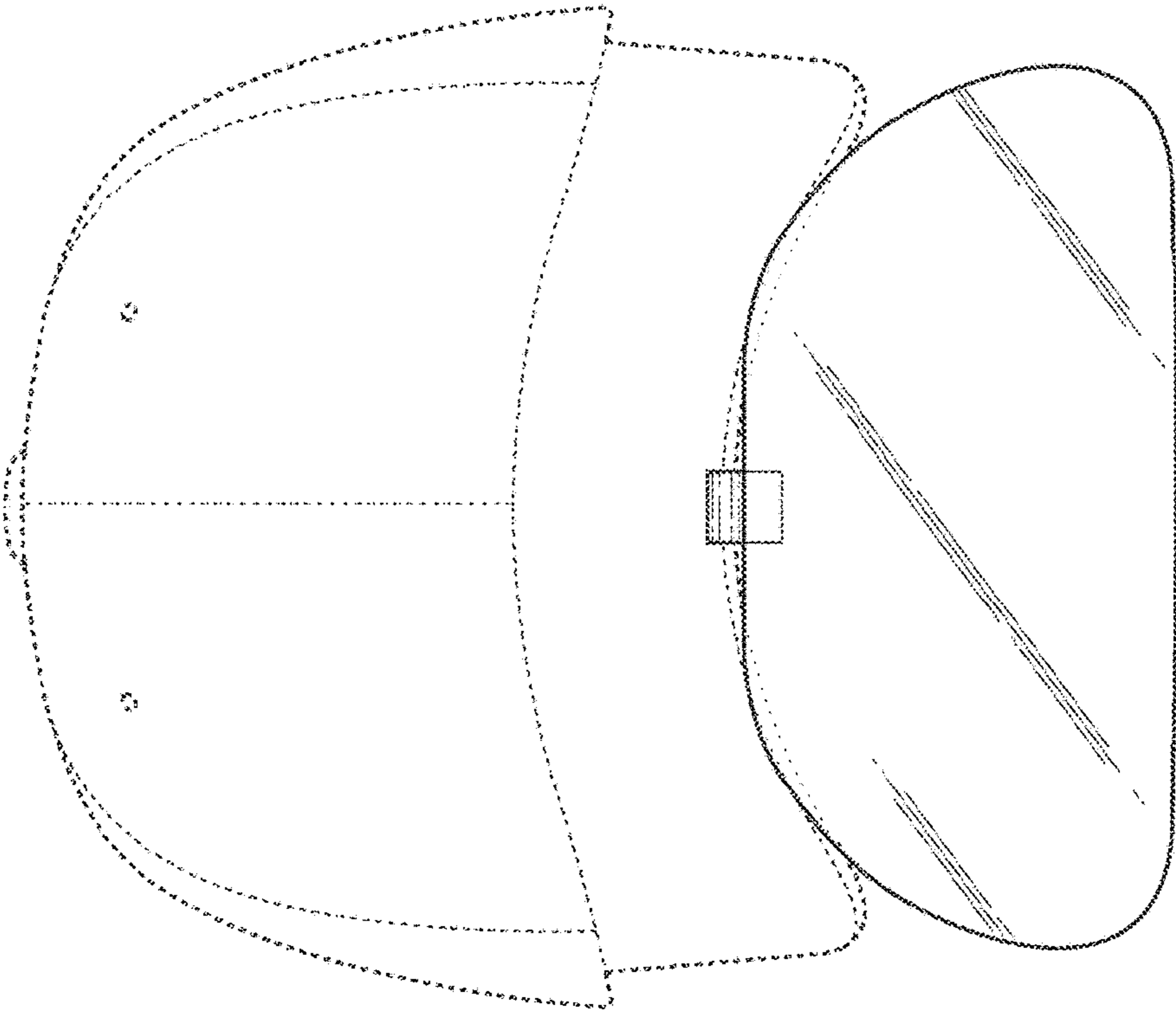


FIG. 2

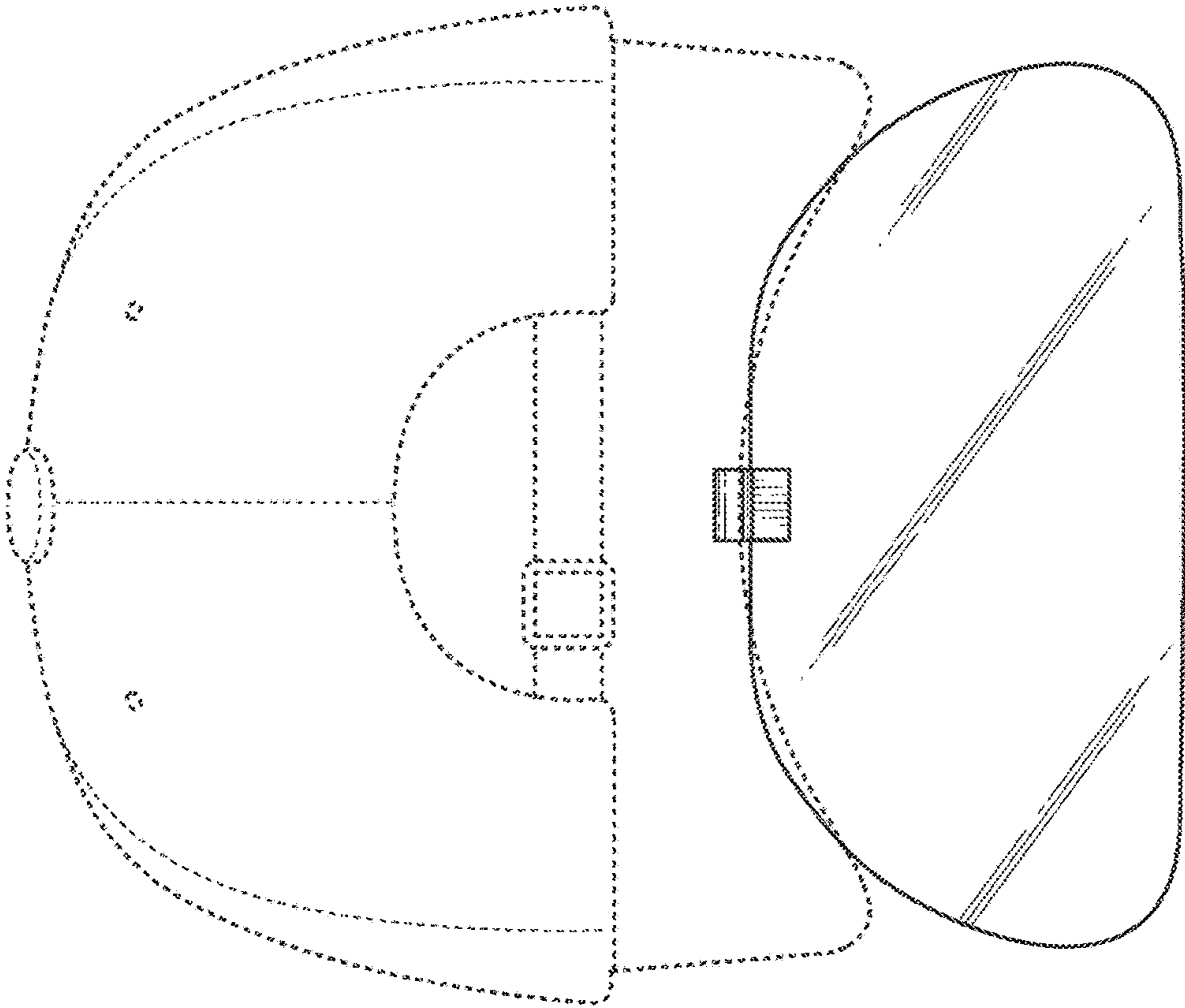


FIG. 3

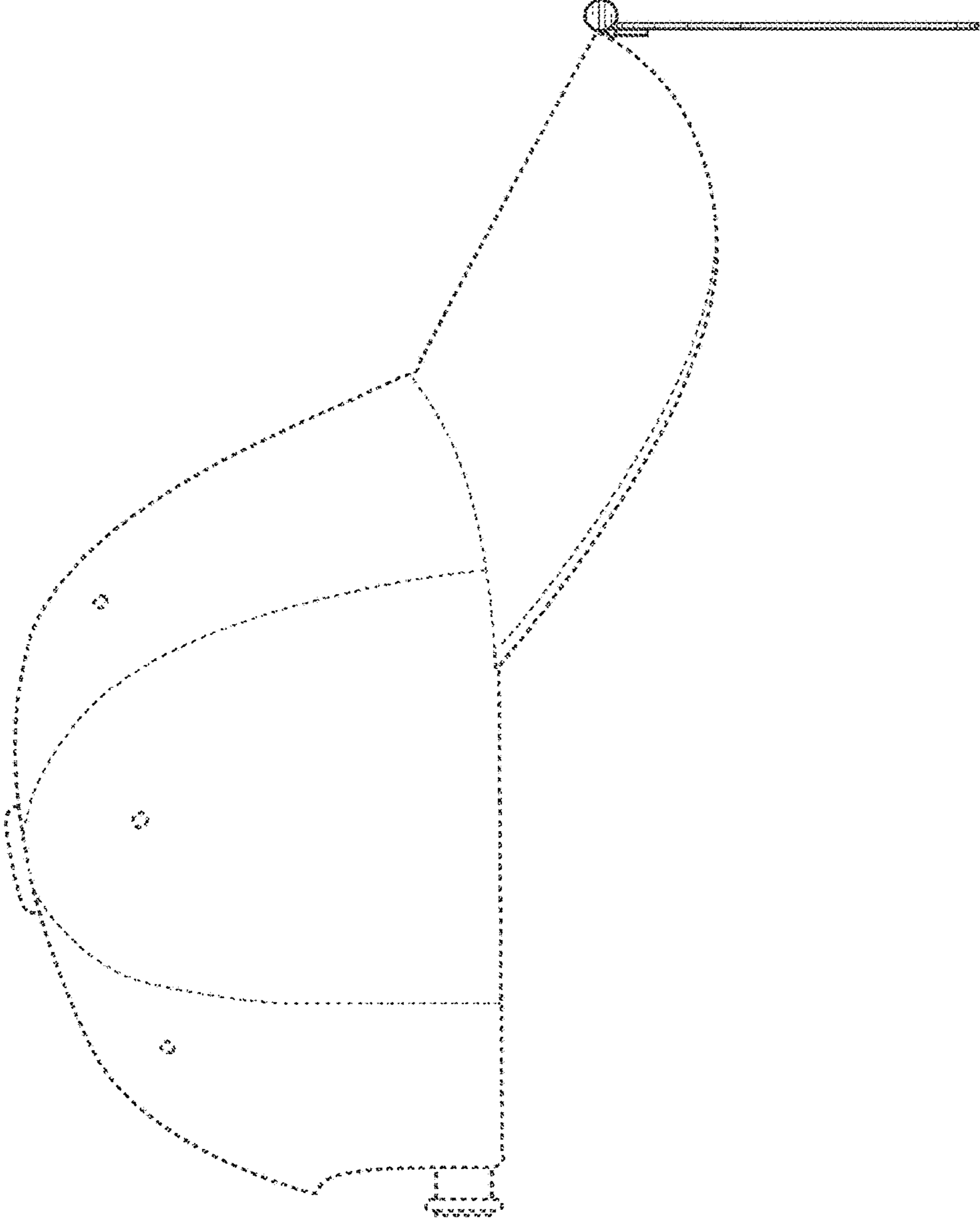


FIG. 4

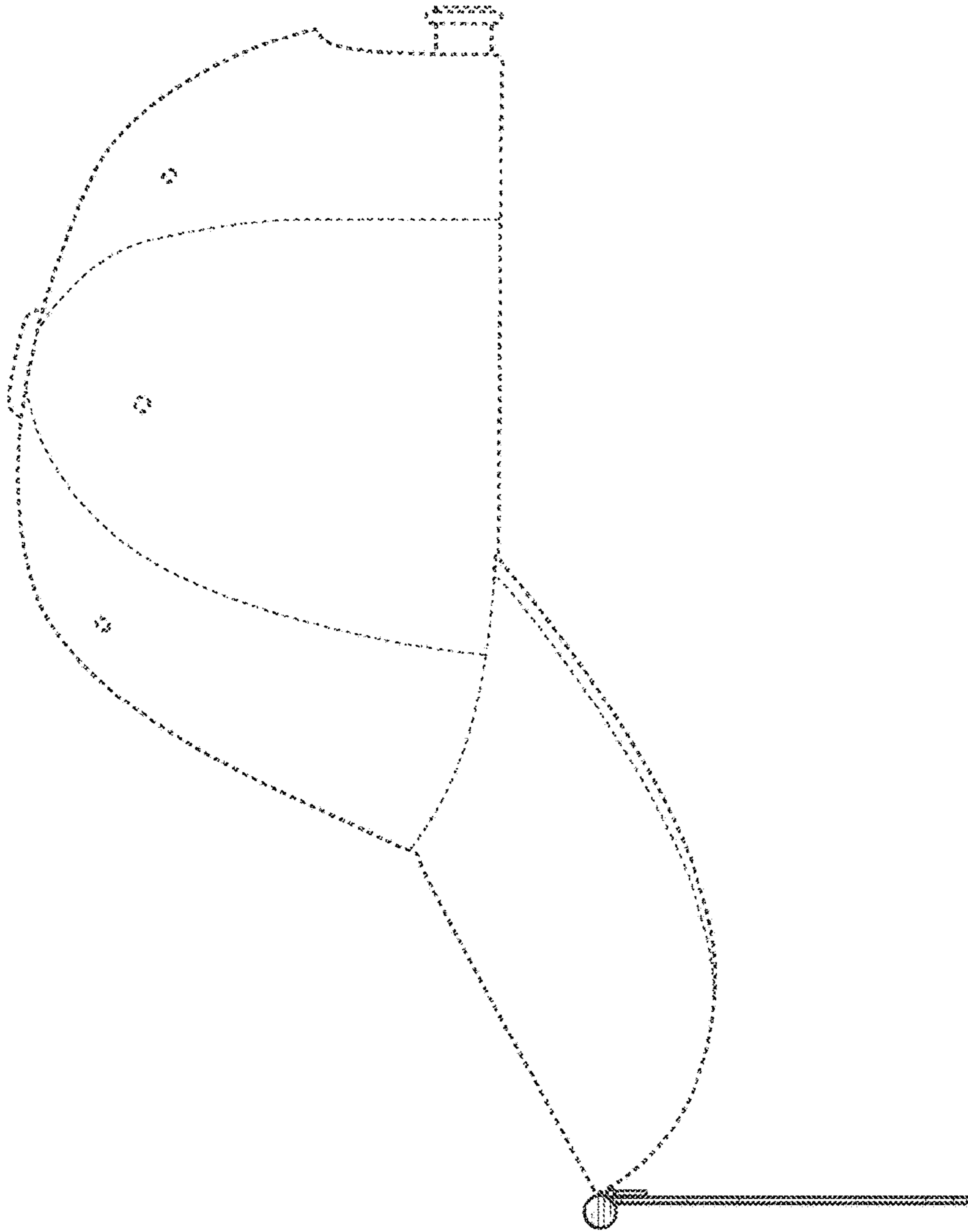


FIG. 5

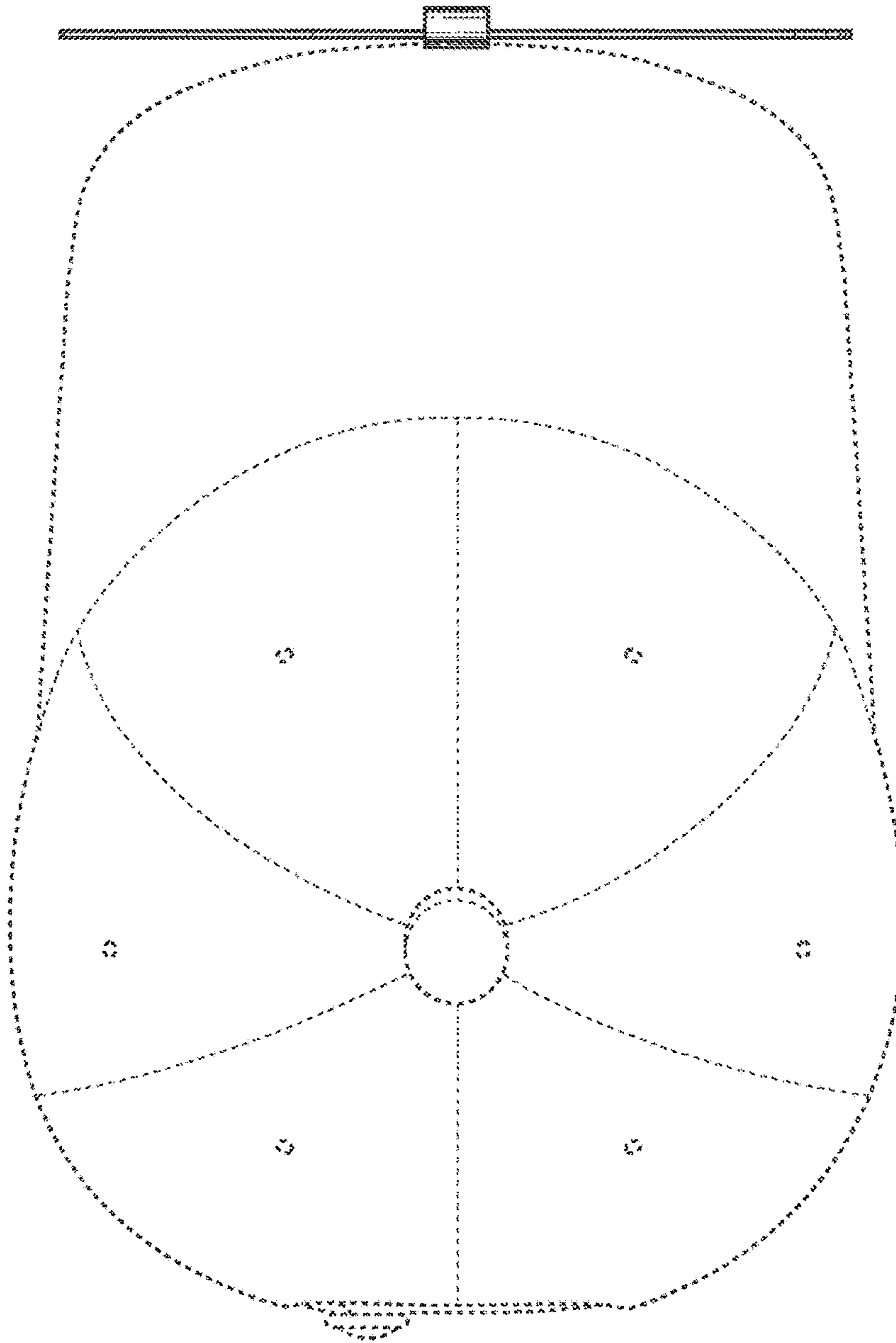


FIG. 6

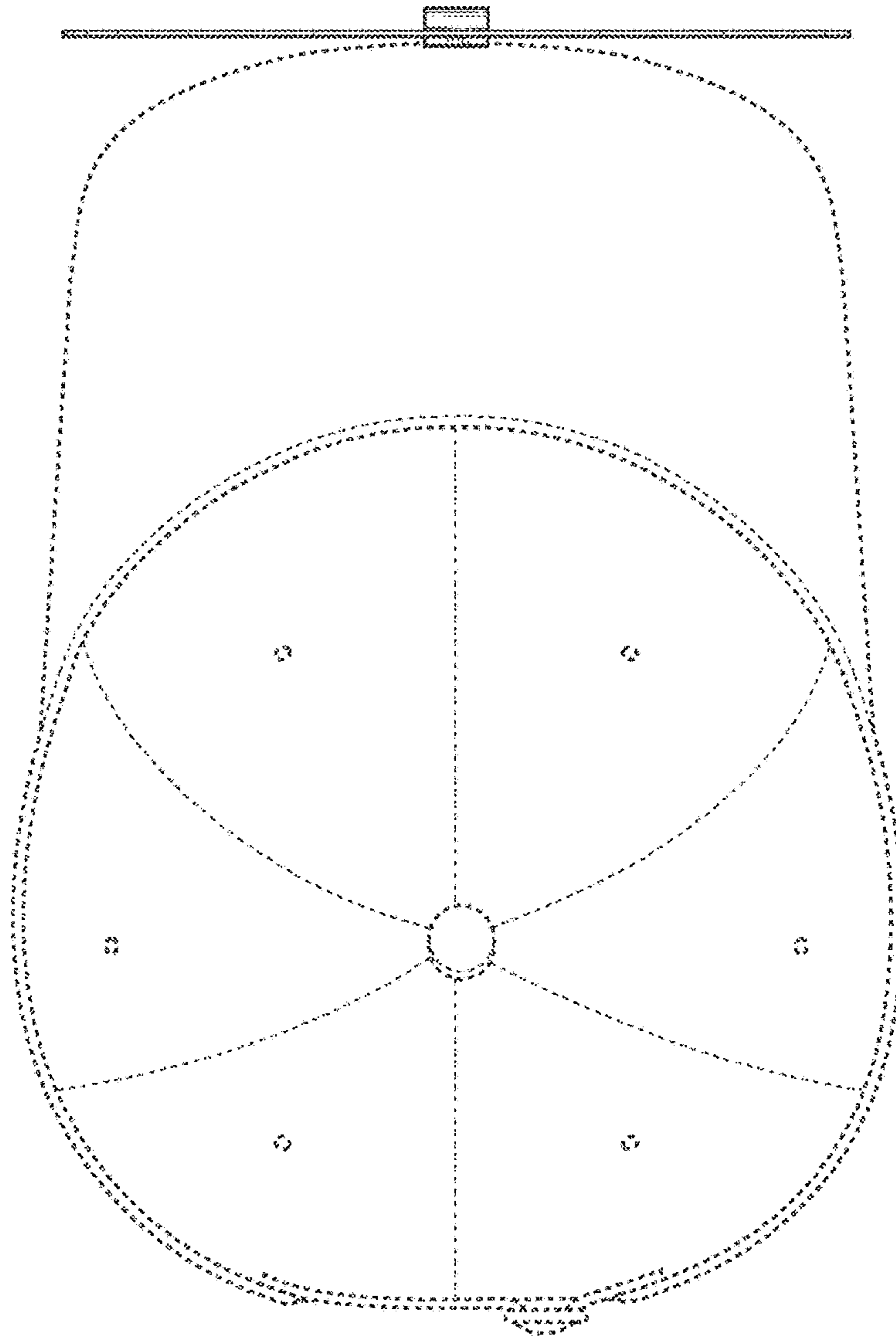


FIG. 7

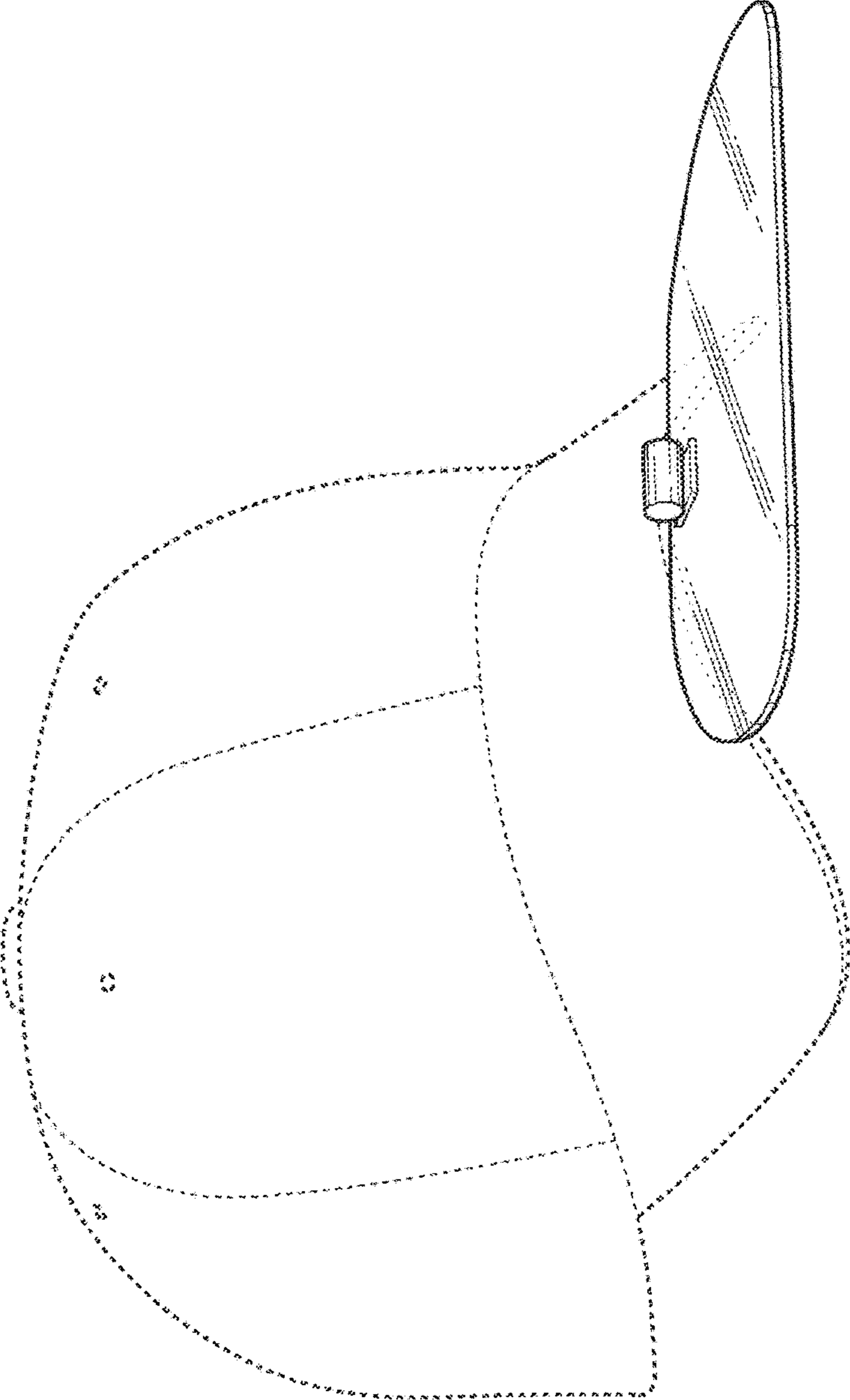


FIG. 8