



US00D833117S

(12) **United States Design Patent**
Harden

(10) **Patent No.:** **US D833,117 S**

(45) **Date of Patent:** **** Nov. 13, 2018**

- (54) **CONCEALED-CARRY POCKET**
- (71) Applicant: **Nancy Harden**, Benton, KY (US)
- (72) Inventor: **Nancy Harden**, Benton, KY (US)
- (**) Term: **15 Years**
- (21) Appl. No.: **29/599,717**
- (22) Filed: **Apr. 6, 2017**
- (51) **LOC (11) Cl.** **02-02**
- (52) **U.S. Cl.**
USPC **D2/857**
- (58) **Field of Classification Search**
USPC D2/742, 853, 857, 999; D3/226, 228,
D3/230, 303, 327, 328
CPC F41C 33/00; F41C 33/048; F41C 33/0209;
F41C 33/02; F41C 33/0236; F41C
33/0272; Y10S 224/911; A45F 5/00;
A45F 2200/0591; A41D 13/0012; A41D
27/20; A41D 27/205
See application file for complete search history.

- (56) **References Cited**
U.S. PATENT DOCUMENTS
309,292 A * 12/1884 Browne F41C 33/0209
224/230
1,120,190 A * 12/1914 Gaskill F41C 33/0209
224/230
1,191,339 A * 7/1916 Noye F41C 33/0209
224/230
1,886,718 A * 11/1932 Noel A45F 5/022
2/250
2,810,132 A * 10/1957 Nicholson A41D 13/0012
2/247
3,707,250 A * 12/1972 Esposito F41C 33/0227
224/243
4,022,361 A * 5/1977 Devlin A45F 5/021
224/192
4,262,832 A 4/1981 Perkins

- 4,346,827 A 8/1982 Bianchi
- 4,741,465 A * 5/1988 Johnson F41C 33/0209
224/230
- 4,966,320 A * 10/1990 DeSantis A45C 1/04
224/192
- D333,570 S * 3/1993 Murray D3/226
- D343,944 S * 2/1994 Krugler D2/857
- 5,832,536 A 11/1998 Kramer
- D408,136 S * 4/1999 Pesce, Jr. D3/228
- 5,909,834 A * 6/1999 Parrott, III F41C 33/0209
224/245

(Continued)

Primary Examiner — Kevin K Rudzinski
Assistant Examiner — Paul D Bohannon
 (74) *Attorney, Agent, or Firm* — Robert J. Yarbrough;
 Lipton, Weinberger & Husick

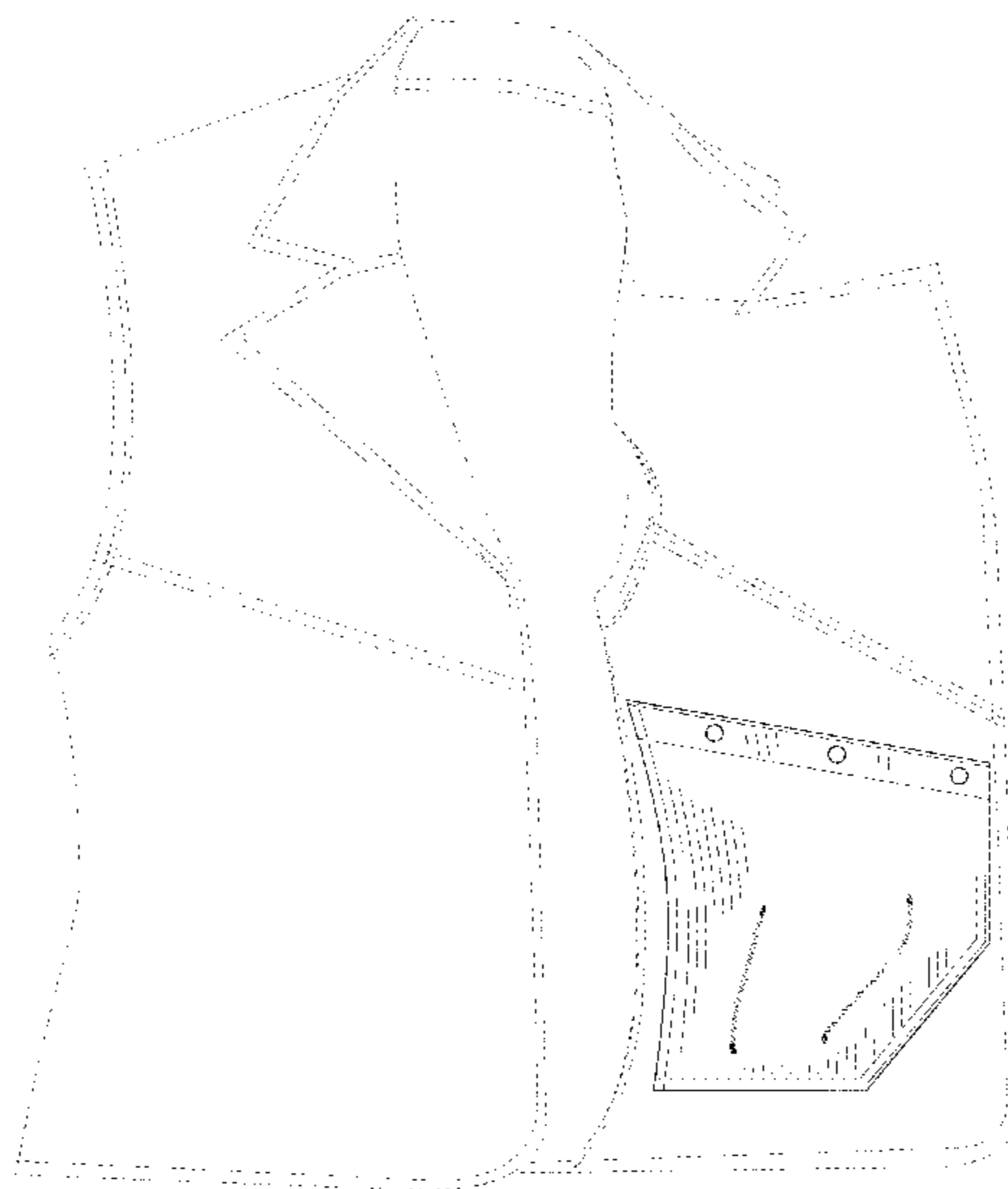
(57) **CLAIM**

The ornamental design for a concealed-carry pocket, as shown and described.

DESCRIPTION

FIG. 1 is a front elevation view of the concealed-carry pocket of the invention installed on the inside of a garment, such as a vest, with one side of the garment open.
 FIG. 2 is a back elevation view of the concealed-carry pocket viewed through the front of the vest with the vest closed and with a firearm in the concealed-carry pocket.
 FIG. 3 is an enlarged front elevation view of the concealed-carry pocket as the pocket appears when viewed from the inside of the vest; and,
 FIG. 4 is an enlarged back elevation view of the concealed-carry pocket as the pocket would appear from the outside of the garment with the front panel of the vest removed.
 The broken lines shown in the drawings illustrate environmental structure and form no part of the claimed design.

1 Claim, 4 Drawing Sheets



(56)

References Cited

U.S. PATENT DOCUMENTS

6,131,198 A * 10/2000 Westrick F41C 33/0209
 2/102
 D489,164 S * 5/2004 Isom D2/857
 7,743,430 B2 6/2010 Jennings
 D620,705 S * 8/2010 Beard D3/222
 D639,027 S * 6/2011 Seguin D2/857
 8,484,765 B2 * 7/2013 French A41D 27/20
 2/250
 D713,644 S * 9/2014 Johnson D3/303
 9,009,870 B1 4/2015 Connick
 D742,624 S * 11/2015 Meyers D2/857
 9,297,611 B1 3/2016 Roccisano
 D761,553 S * 7/2016 Scott D3/222
 2007/0250980 A1 11/2007 Pellerin
 2010/0050312 A1 * 3/2010 French A41D 27/20
 2/69
 2013/0015225 A1 * 1/2013 Hogue F41C 33/0218
 224/587
 2014/0021235 A1 1/2014 Hunter
 2015/0061914 A1 * 3/2015 Falken H01Q 17/005
 342/1
 2015/0362285 A1 * 12/2015 Gazso A45C 1/02
 150/102
 2016/0007665 A1 * 1/2016 Austin A41D 27/20
 2/247
 2016/0061564 A1 * 3/2016 Gordon F41C 33/041
 224/587
 2016/0244209 A1 * 8/2016 Hain A45C 7/0045
 2016/0254083 A1 * 9/2016 Bennett F41C 33/0209
 335/285

* cited by examiner

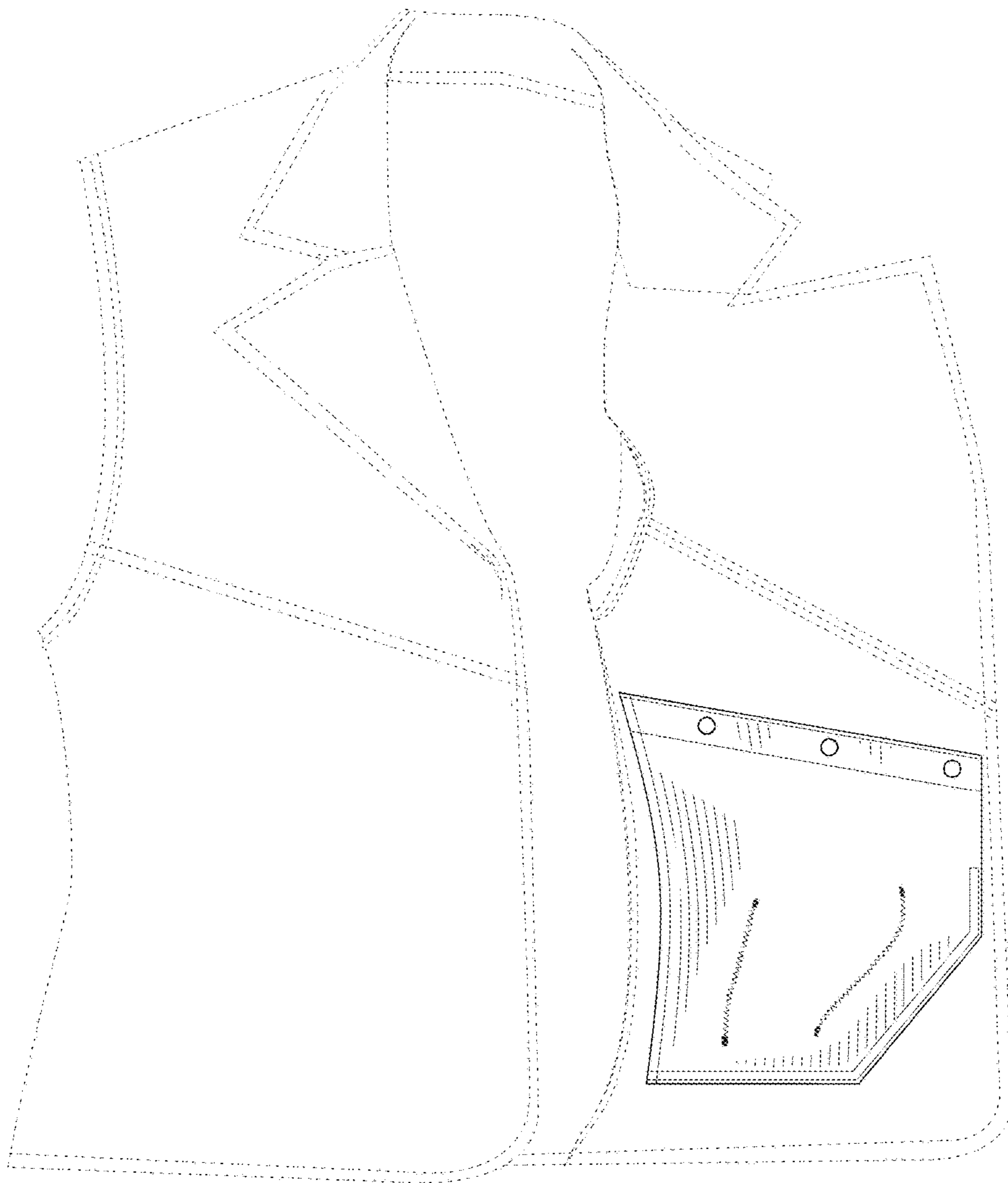


Fig. 1



Fig. 2

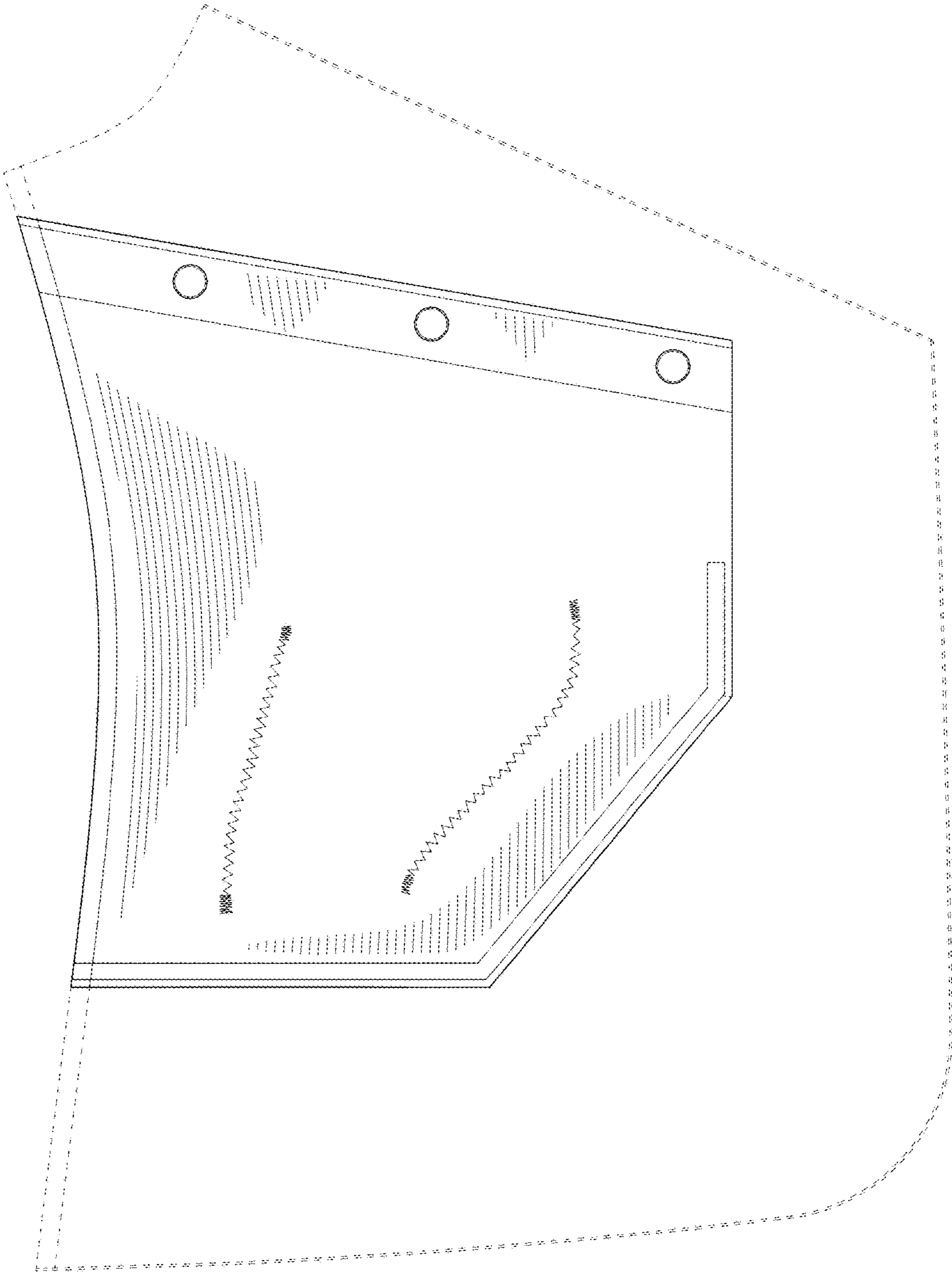


Fig. 3

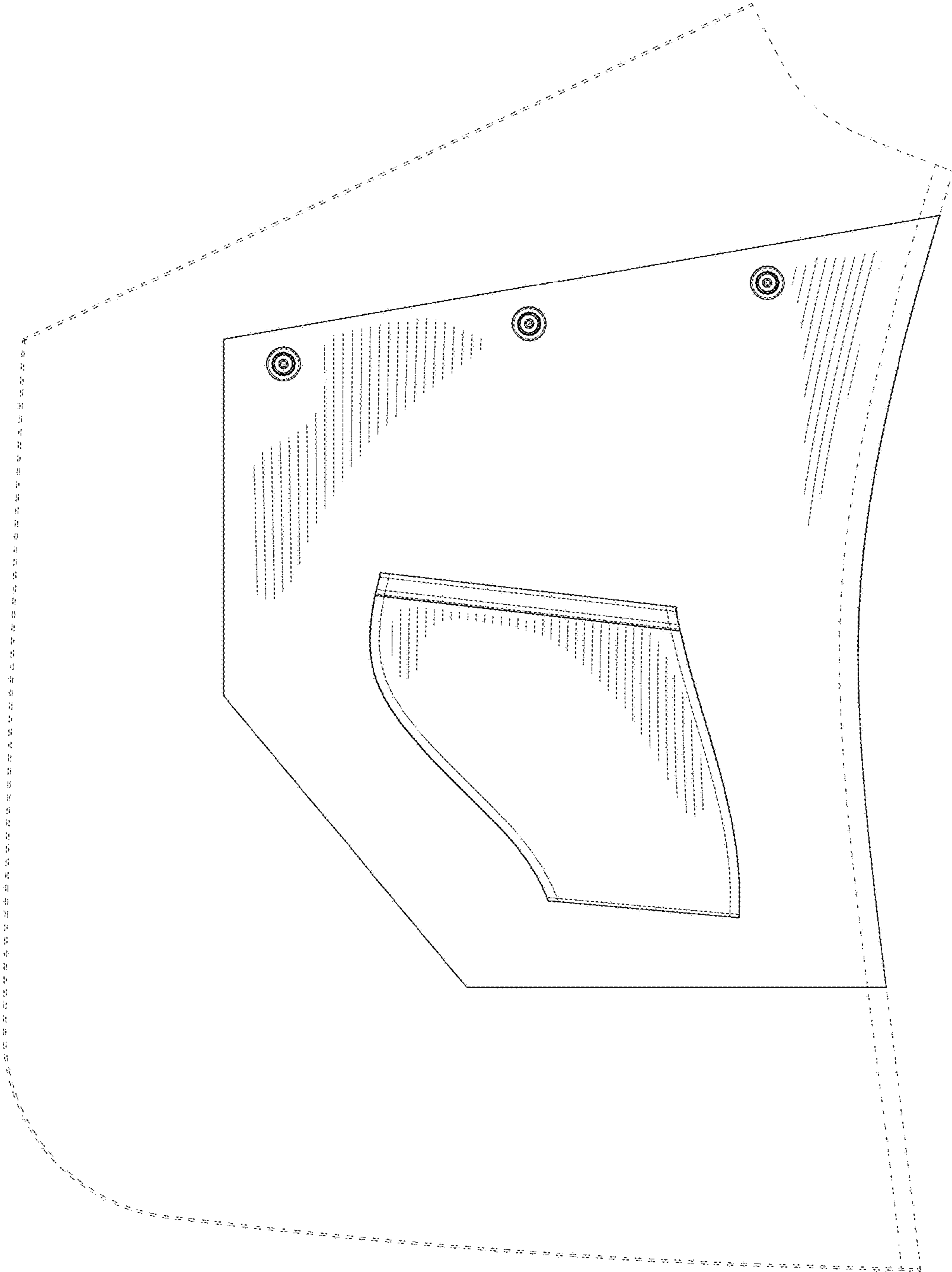


Fig. 4