



US00D833113S

(12) **United States Design Patent** (10) **Patent No.:** **US D833,113 S**
Nguyen (45) **Date of Patent:** **** Nov. 13, 2018**

(54) **REAR BOTTOM FLAP FOR BABY BODYSUIT**

(71) Applicant: **Vi Hoang Nguyen**, Pico Rivera, CA (US)

(72) Inventor: **Vi Hoang Nguyen**, Pico Rivera, CA (US)

(**) Term: **15 Years**

(21) Appl. No.: **29/600,831**

(22) Filed: **Apr. 17, 2017**

(51) **LOC (11) Cl.** **02-02**

(52) **U.S. Cl.**
USPC **D2/745**

(58) **Field of Classification Search**
USPC 2/80; D2/745, 712-713, 746, 733, 853, D2/719, 718; D11/221
CPC A41D 1/00; A41B 1/04; A41B 1/06; A41B 1/08; A41B 1/00; A41B 2300/00; A41B 9/007; A41B 9/06

See application file for complete search history.

(56) **References Cited**

U.S. PATENT DOCUMENTS

2,524,221	A *	10/1950	Feeney	A41B 13/00	2/80
3,029,814	A *	4/1962	Kravitz	A61F 5/03	2/403
D595,030	S *	6/2009	Spellman	D2/745	
D598,176	S *	8/2009	Tawil	D2/713	
D689,259	S *	9/2013	Marrin	D2/733	
D692,209	S *	10/2013	Dragu	D2/745	
D698,521	S *	2/2014	Ott	D2/745	
D801,632	S *	11/2017	Benson	D2/731	
2002/0062511	A1 *	5/2002	Lee	A41D 13/1263	2/78.2
2009/0255028	A1 *	10/2009	Weisblatt	A41B 13/08	2/80

2010/0125930	A1 *	5/2010	Burrell, IV	A41B 13/08	2/75
2013/0042382	A1 *	2/2013	Weston	A41D 11/00	2/80
2013/0298304	A1 *	11/2013	Ott	A44B 19/24	2/80
2013/0298305	A1 *	11/2013	Lushaj	A41D 11/00	2/80
2015/0059049	A1 *	3/2015	Jaggernaut	A41B 13/08	2/80
2015/0272228	A1 *	10/2015	Penner	A41B 13/08	2/80
2016/0021936	A1 *	1/2016	Delano	A41B 13/065	2/80

* cited by examiner

Primary Examiner — Robin V Webster

Assistant Examiner — J. Thorn, Sr.

(74) *Attorney, Agent, or Firm* — Usha S. Koshy

(57) **CLAIM**

The ornamental design for a rear bottom flap for baby bodysuit, as shown and described.

DESCRIPTION

FIG. 1 is a front view of the rear bottom flap for a baby bodysuit;

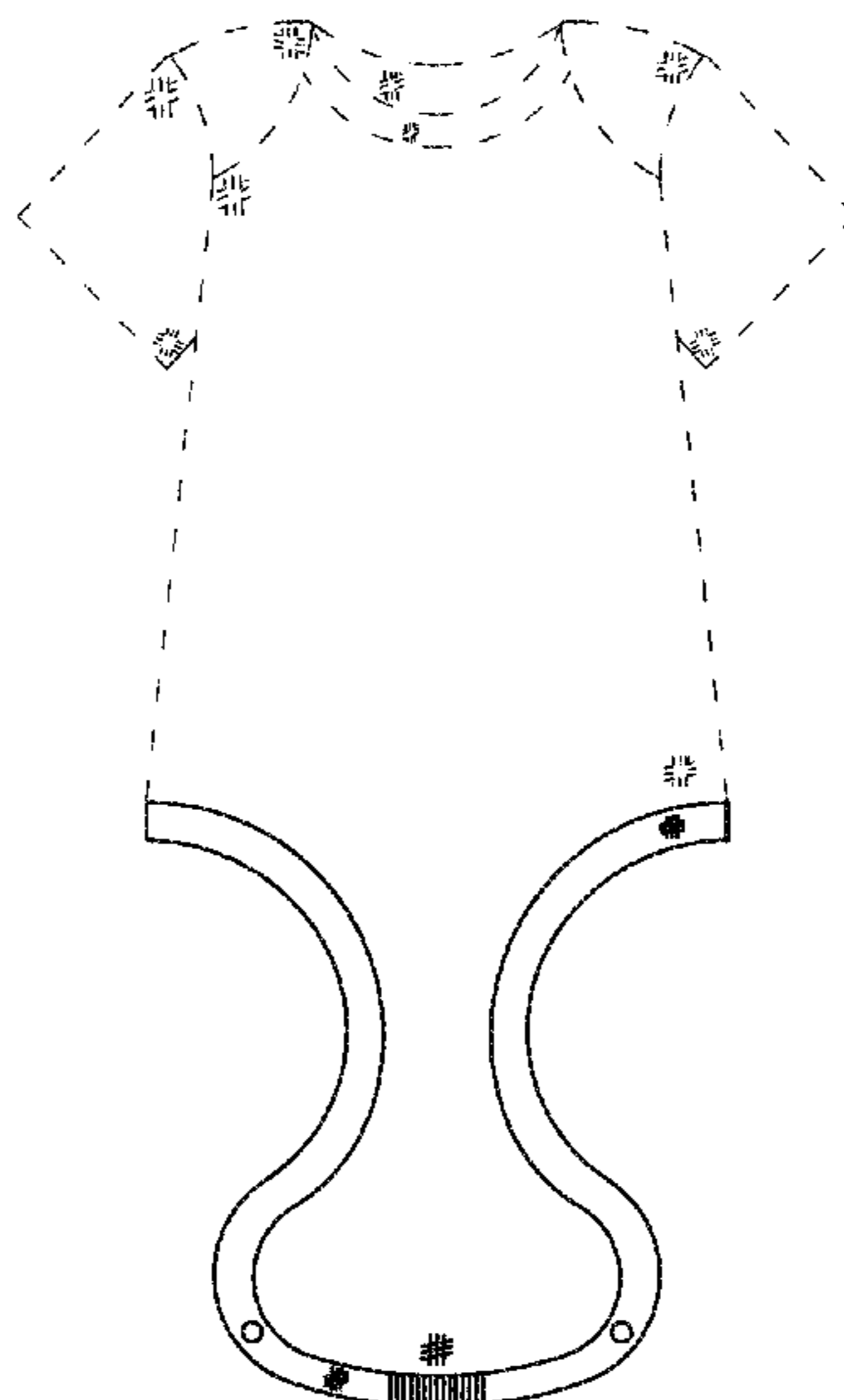
FIG. 2 is a rear view thereof, of the rear bottom flap for a baby bodysuit, shown in the closed position;

FIG. 3 is a side view thereof, of the rear bottom flap for a baby bodysuit, shown in the closed position; and,

FIG. 4 is another rear view of the rear bottom flap for a baby bodysuit shown in the open position.

The broken lines shown in the various views are included for illustrating environmental structures, and are unclaimed subject matter, forming no part of the claimed design for the rear bottom flap for a baby bodysuit.

1 Claim, 4 Drawing Sheets



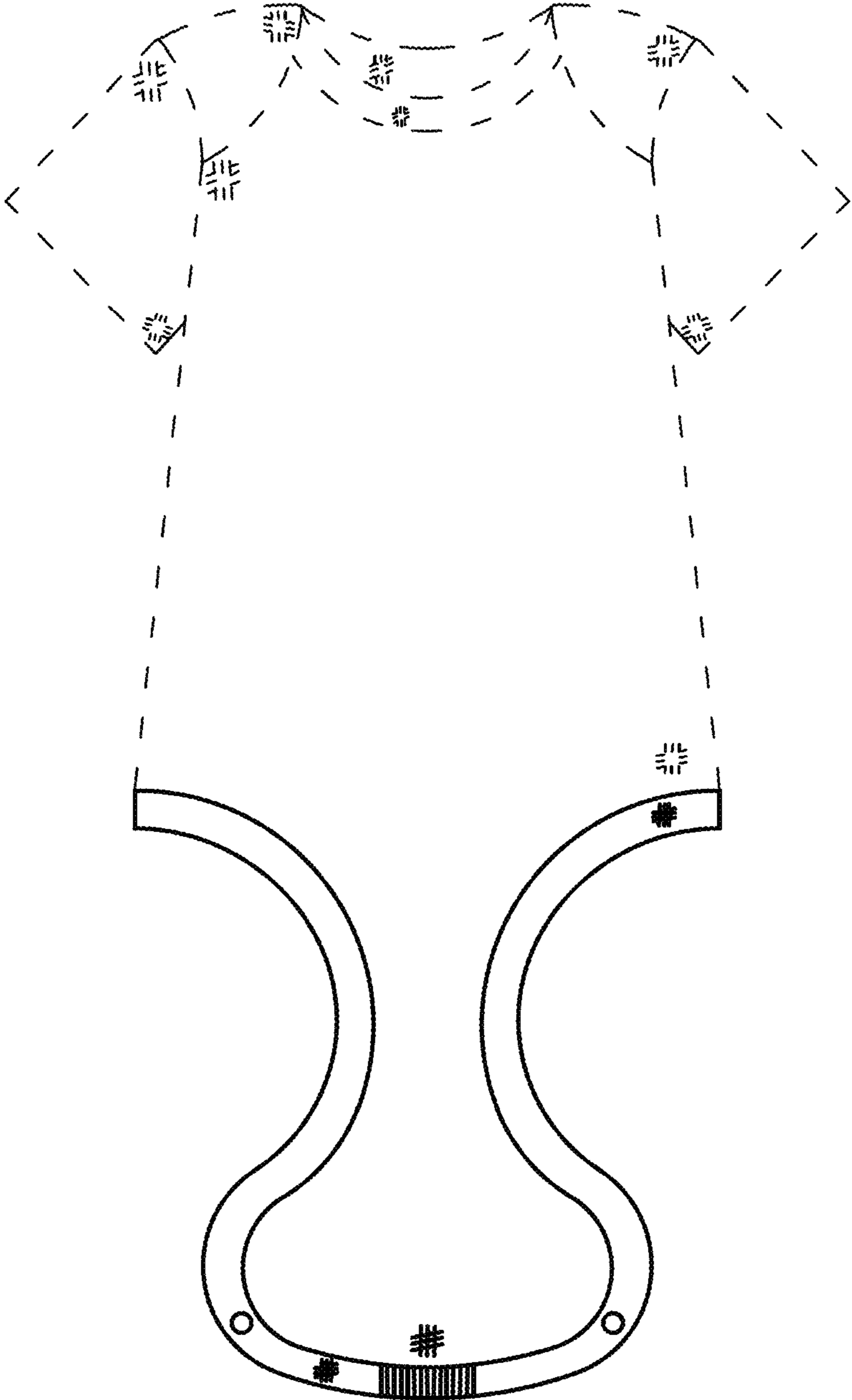


FIG. 1

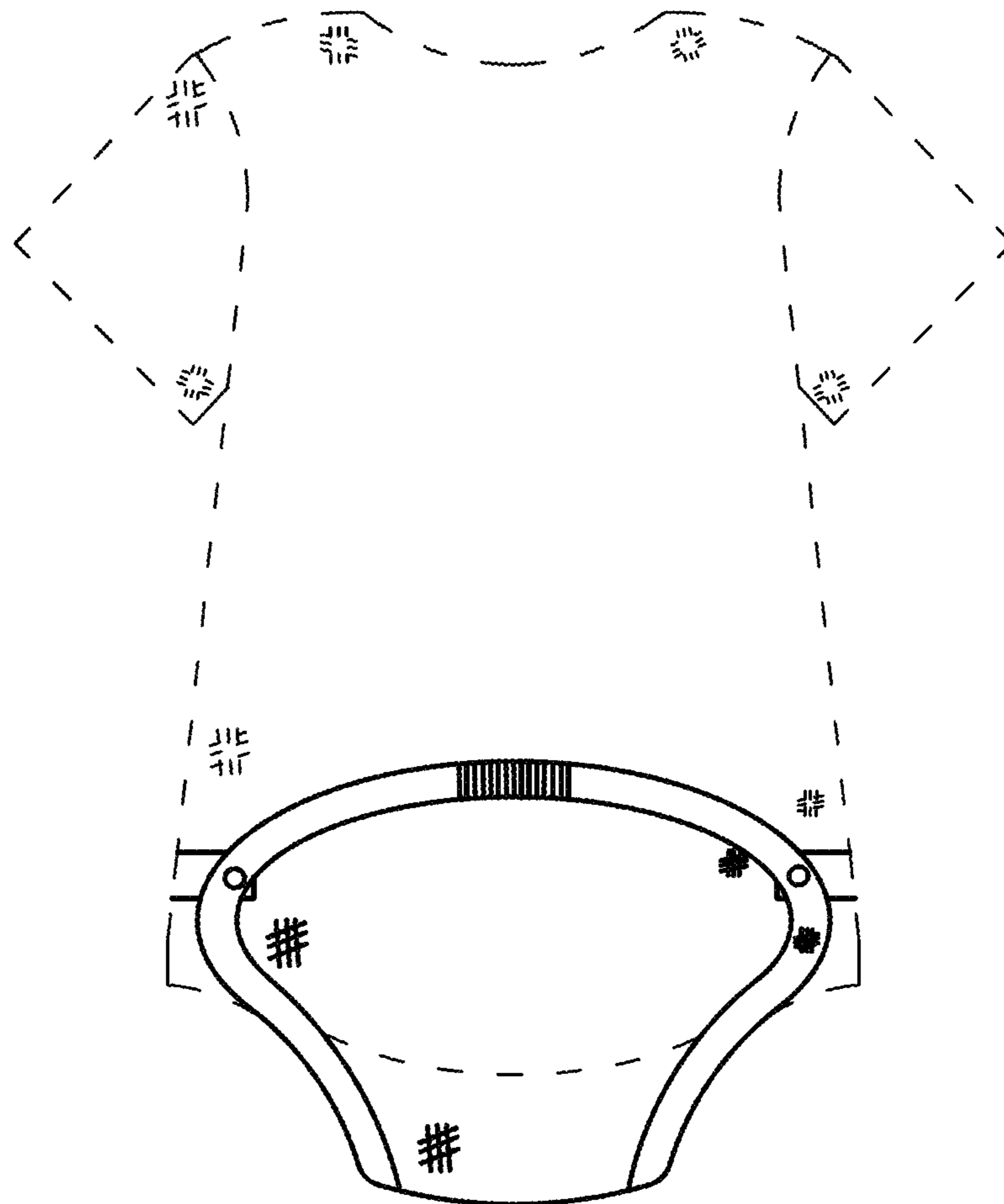


FIG. 2

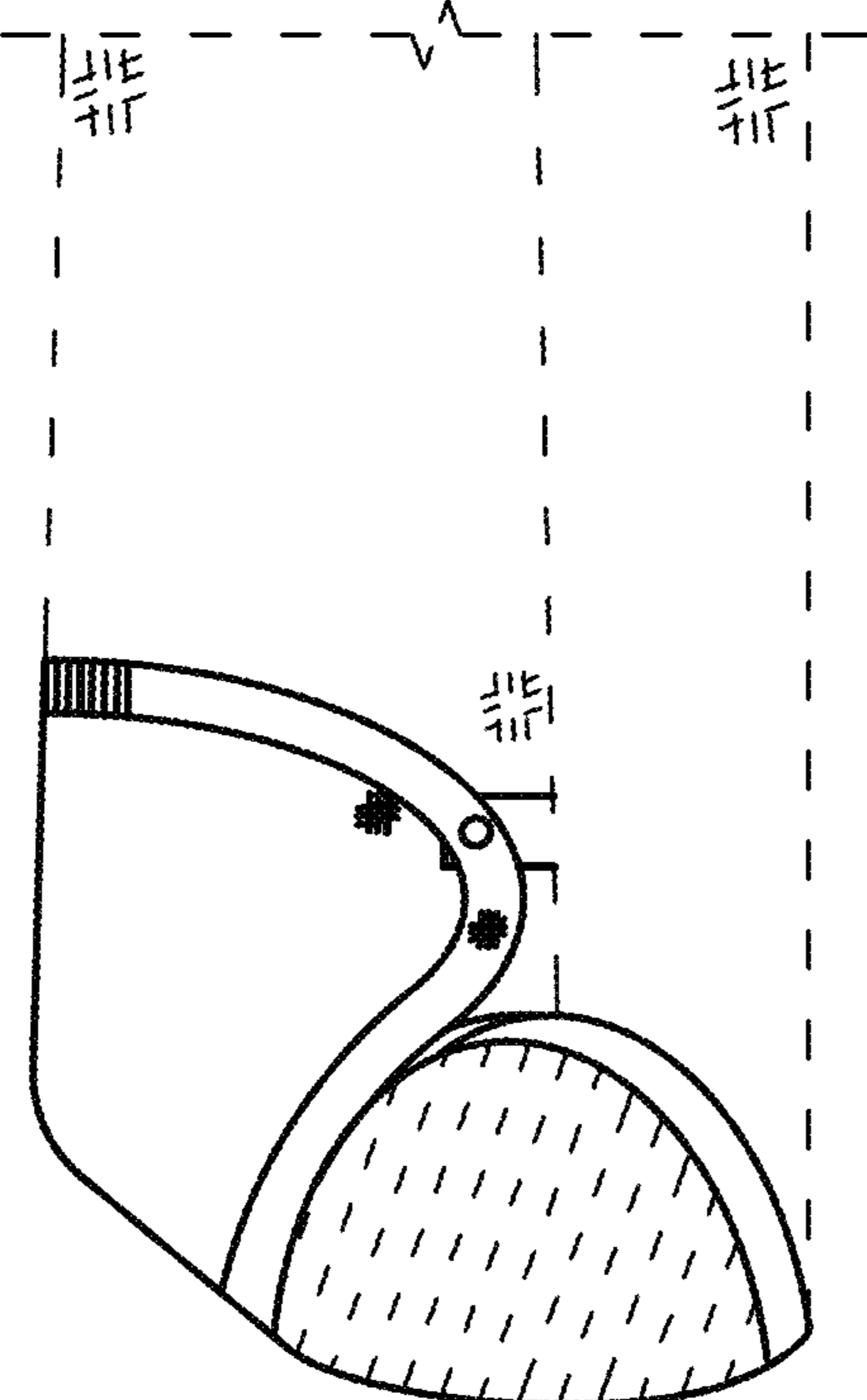


FIG. 3

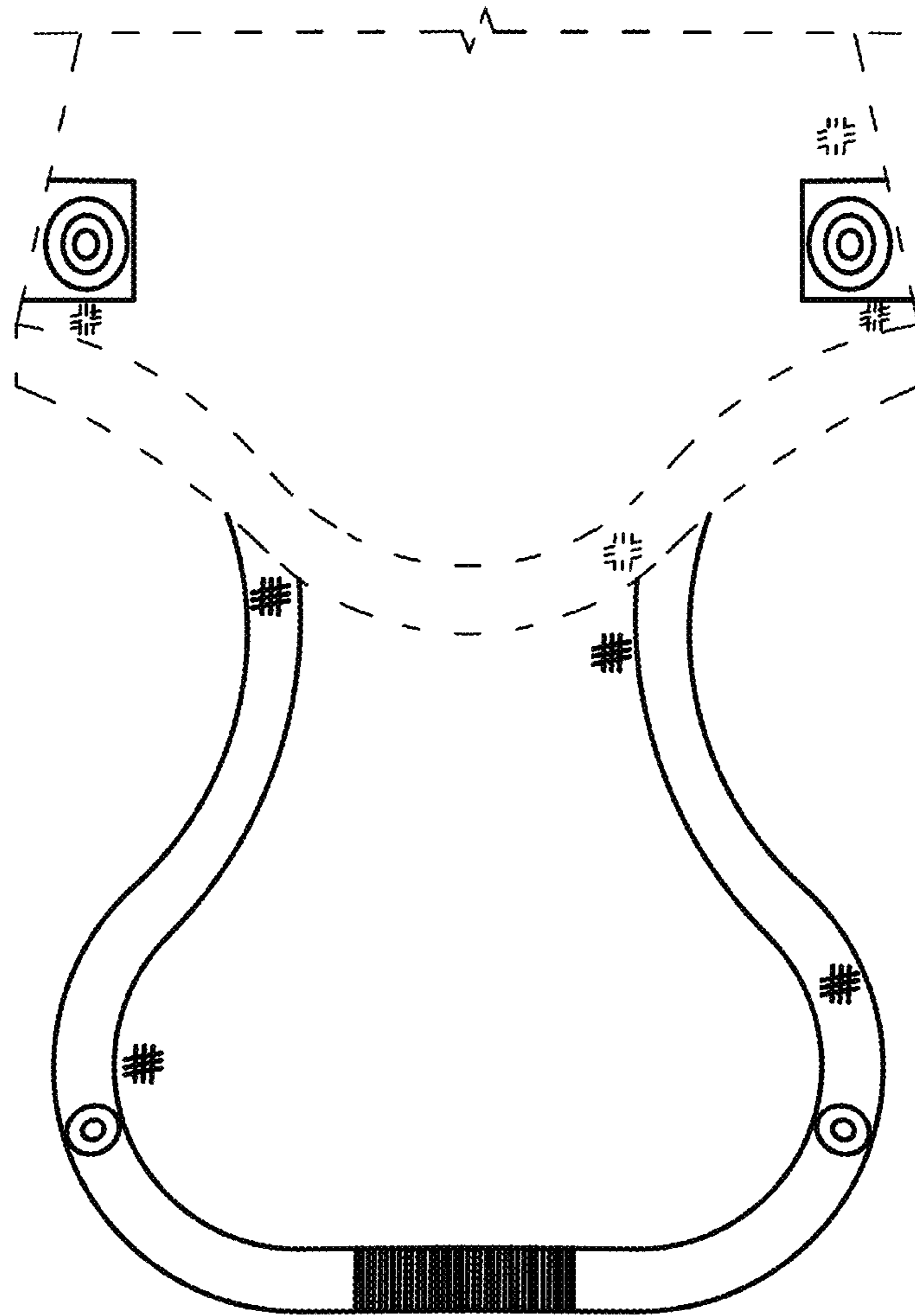


FIG. 4