



US00D833112S

(12) **United States Design Patent** (10) **Patent No.:** **US D833,112 S**  
**Goedde** (45) **Date of Patent:** **\*\* Nov. 13, 2018**

(54) **COSTUME**

(71) Applicant: **Suitables, Inc.**, Menlo Park, CA (US)

(72) Inventor: **Michael A. Goedde**, Menlo Park, CA (US)

(73) Assignee: **Suitables, Inc.**, Menlo Park, CA (US)

(\*\*) Term: **15 Years**

(21) Appl. No.: **29/608,923**

(22) Filed: **Jun. 27, 2017**

(51) **LOC (11) Cl.** ..... **02-02**

(52) **U.S. Cl.**  
USPC ..... **D2/741**

(58) **Field of Classification Search**  
USPC ..... D2/741  
CPC ..... A41D 1/00; A41D 11/00; A41D 27/08;  
A41D 27/085; A41D 15/04; A41D  
2400/42; A41D 13/04; A41D 1/002;  
A41D 2300/324; A41D 2400/26; A41D  
27/20;

(Continued)

(56) **References Cited**

**U.S. PATENT DOCUMENTS**

535,908 A 3/1895 Kierolf  
758,892 A \* 5/1904 Bewsic ..... A41D 1/04  
2/102

(Continued)

**OTHER PUBLICATIONS**

Cardboard Aeroplane Costume, posted at en.smallable.com, posting date not given, [online], [site visited Sep. 10, 2018]. Available from Internet, URL: <https://en.smallable.com/cardboard-aeroplane-costume-pink-mister-tody-94030.html> (Year: 2018).\*

(Continued)

*Primary Examiner* — George D. Kirschbaum

*Assistant Examiner* — Maria J Edwards

(74) *Attorney, Agent, or Firm* — Levine Bagade Han LLP

(57) **CLAIM**

The ornamental design for a costume, as shown and described.

**DESCRIPTION**

FIG. 1 is a perspective view of a costume, showing my new design;

FIG. 2 is a top view thereof;

FIG. 3 is a bottom view thereof;

FIG. 4 is a right side view thereof;

FIG. 5 is a left side view thereof;

FIG. 6 is a rear view thereof;

FIG. 7 is a front view thereof;

FIG. 8 is a bottom perspective view thereof;

FIG. 9 is a dieline for a component thereof;

FIG. 10 is a dieline for a component thereof;

FIG. 11 is a dieline for a component thereof;

FIG. 12 is a dieline for a component thereof;

FIG. 13 is a dieline for a component thereof;

FIG. 14 is a dieline for a component thereof;

FIG. 15 is a dieline for a component thereof;

FIG. 16 is a dieline for a component thereof;

FIG. 17 is a dieline for a component thereof;

FIG. 18 is a dieline for a component thereof;

FIG. 19 is a dieline for a component thereof;

FIG. 20 is a dieline for a component thereof;

FIG. 21 is a dieline for a component thereof;

FIG. 22 is a dieline for a component thereof;

FIG. 23 is a dieline for a component thereof;

FIG. 24 is a dieline for a component thereof;

FIG. 25 is a dieline for a component thereof;

FIG. 26 is a dieline for a component thereof;

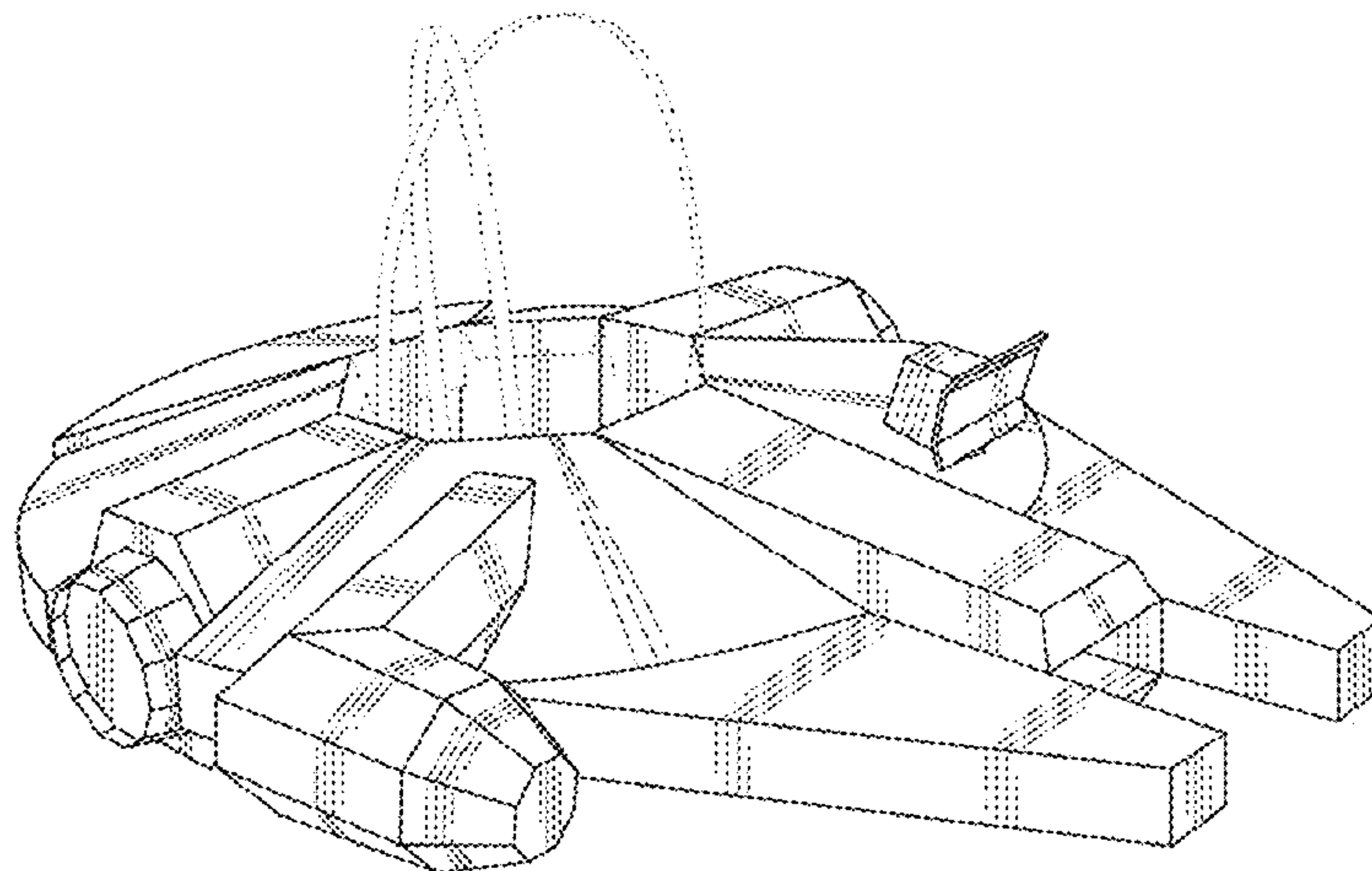
FIG. 27 is a dieline for a component thereof;

FIG. 28 is a dieline for a component thereof; and,

FIG. 29 is a dieline for a component thereof.

The broken lines in FIGS. 1-8 represent environment and form no part of the claimed design.

**1 Claim, 13 Drawing Sheets**



- (58) **Field of Classification Search**  
 CPC ..... A41D 27/28; A41D 31/00; A41D 3/08;  
                   A41D 13/1209; A41D 1/22; A41D  
                   13/0015; A41D 13/018; A41D 13/0543;  
                   A41D 13/0575; A41D 1/04; A41D 29/00;  
                   A63J 7/005  
 See application file for complete search history.

(56) **References Cited**  
 U.S. PATENT DOCUMENTS

984,735	A	2/1911	Bailey	
D189,484	S *	12/1960	Ramniceanu	472/133
3,042,399	A	7/1962	Lewendowski	
3,099,443	A	7/1963	Koch	
D254,816	S *	4/1980	Sloan	D2/741
D256,736	S *	9/1980	Bajork	D2/741
D258,158	S *	2/1981	Bunke	D21/444
D266,263	S *	9/1982	Zachar	D21/451
D267,025	S *	11/1982	Lucas, Jr.	D21/451
D270,009	S *	8/1983	Short	424/467
D272,839	S *	2/1984	Jennings	D21/451
D288,945	S *	3/1987	Rodis-Jamero	D21/451
D300,322	S *	3/1989	Lam	D14/189
D307,923	S *	5/1990	Probert	D21/451
5,022,681	A	6/1991	Penick	
D328,618	S *	8/1992	Wiley	D2/741
5,162,010	A	11/1992	Krebs	
D335,902	S *	5/1993	Tsai	D21/451
5,320,065	A	6/1994	Leopold	
D362,470	S *	9/1995	Smith	D21/443
5,562,520	A	10/1996	Pridonoff et al.	
D380,346	S *	7/1997	Chiang	D7/332

D421,777	S *	3/2000	Wei	D21/451
D422,322	S *	4/2000	Wei	D21/451
D422,650	S *	4/2000	Wei	D21/451
D429,502	S *	8/2000	Christianson	D21/451
D537,876	S	3/2007	Balzer	
7,552,563	B2	6/2009	Becker	
D637,707	S *	5/2011	Nordwall	D23/407
8,234,835	B2	8/2012	Dye et al.	
8,286,266	B2	10/2012	Berman	
9,072,980	B2	7/2015	van Tilburg	
2011/0016601	A1	1/2011	Berman	
2011/0281495	A1	11/2011	Welsh et al.	
2011/0281496	A1	11/2011	Welsh et al.	
2012/0015582	A1	1/2012	van Tilburg	
2015/0038246	A1	2/2015	Zeid	

OTHER PUBLICATIONS

DIY Cardboard Millennium Falcon, posted at allfortheboys.com, posting date not given, [online], [site visited Sep. 10, 2018]. Available from Internet, URL: <https://allfortheboys.com/diy-cardboard-star-wars-vehicles/> (Year: 2018).\*

Han Solo Cosplay, posted at geeksaresexy.net, posting date Oct. 14, 2014, [online], [site visited Sep. 10, 2018]. Available from Internet, URL: <https://www.geeksaresexy.net/2014/10/14/the-best-han-solo-cosplay-youll-see-today/#mtrPk4r5QD9IMVQX.32> (Year: 2014).\*

Millenium falcon womens costume, posted at flickr.com, posting date Jul. 13, 2002, [online], [site visited Sep. 10, 2018]. Available from Internet, URL: <https://www.flickr.com/photos/33339636@N06/7566908114/in/photostream> (Year: 2012).\*

Flat Out Frankie Web Catalogue 20160415 (2014\_web).

\* cited by examiner



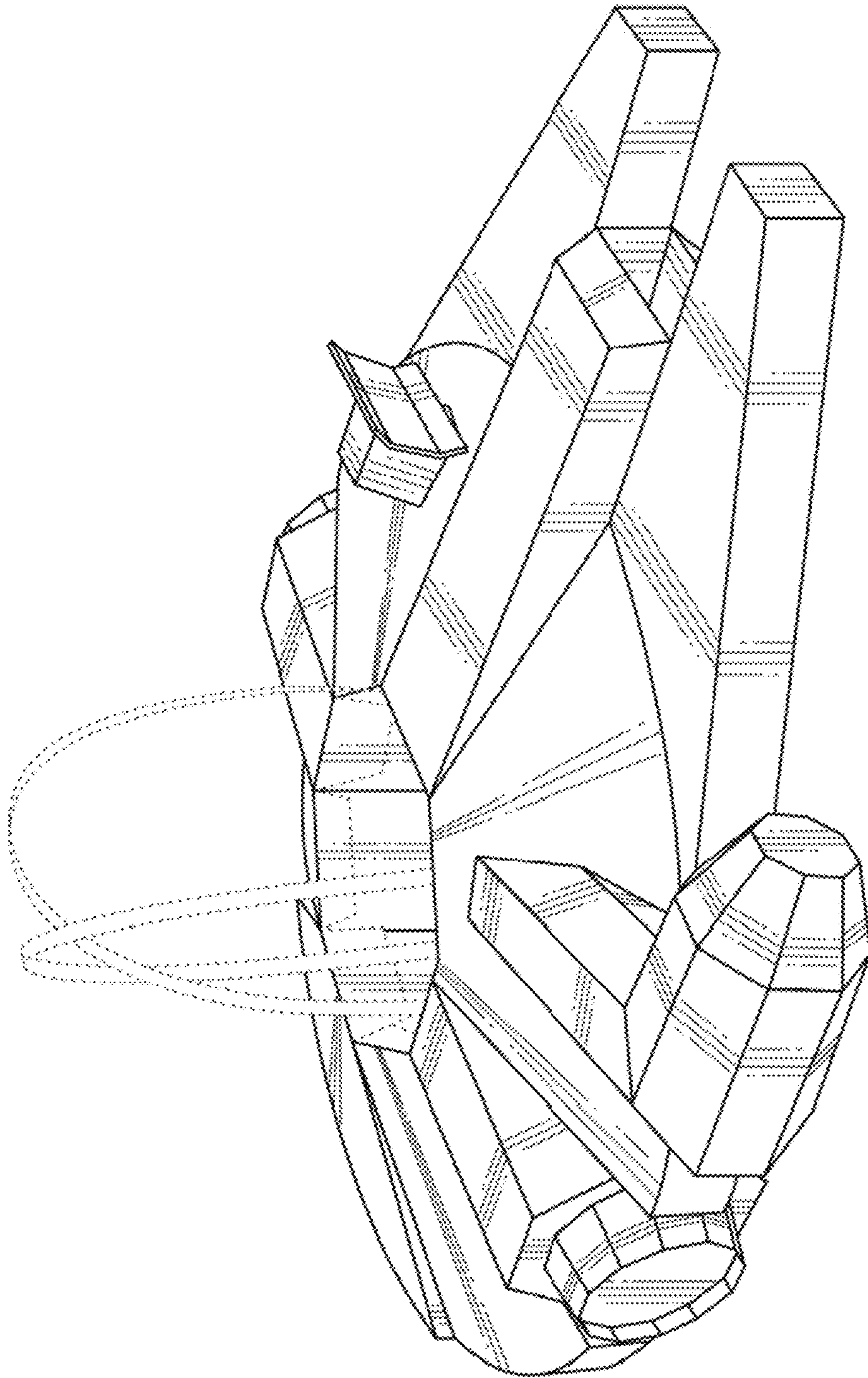


FIG. 1

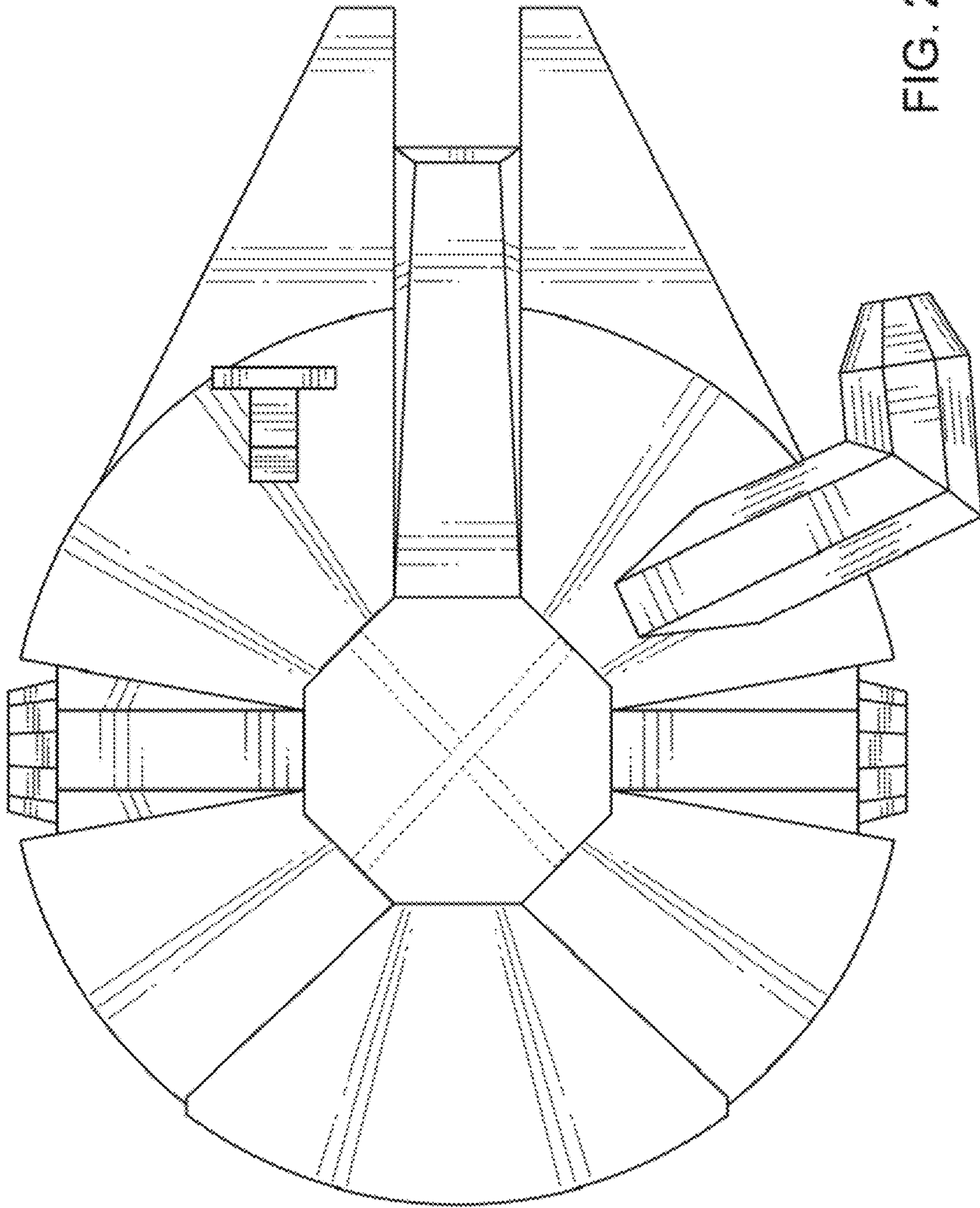


FIG. 2

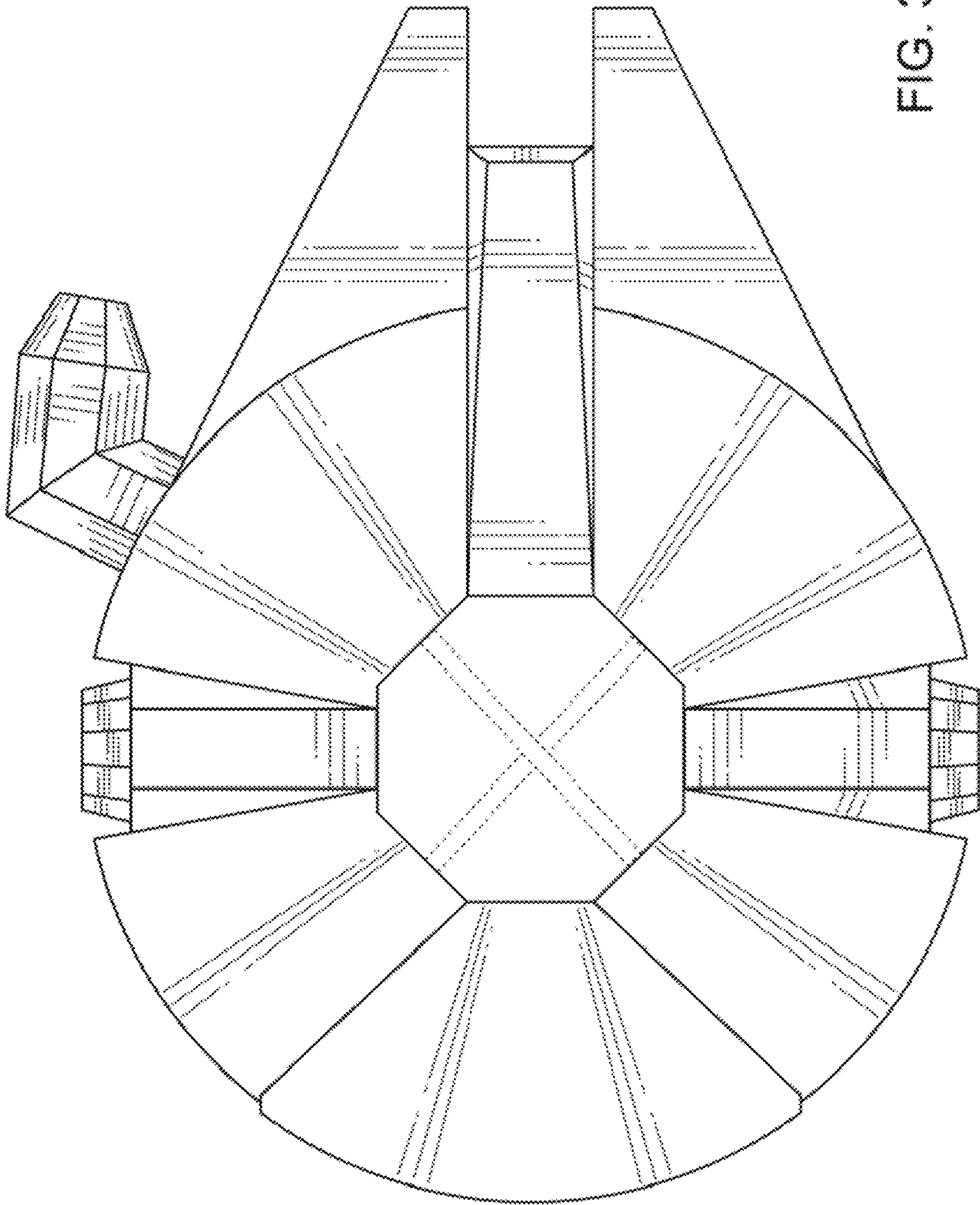


FIG. 3



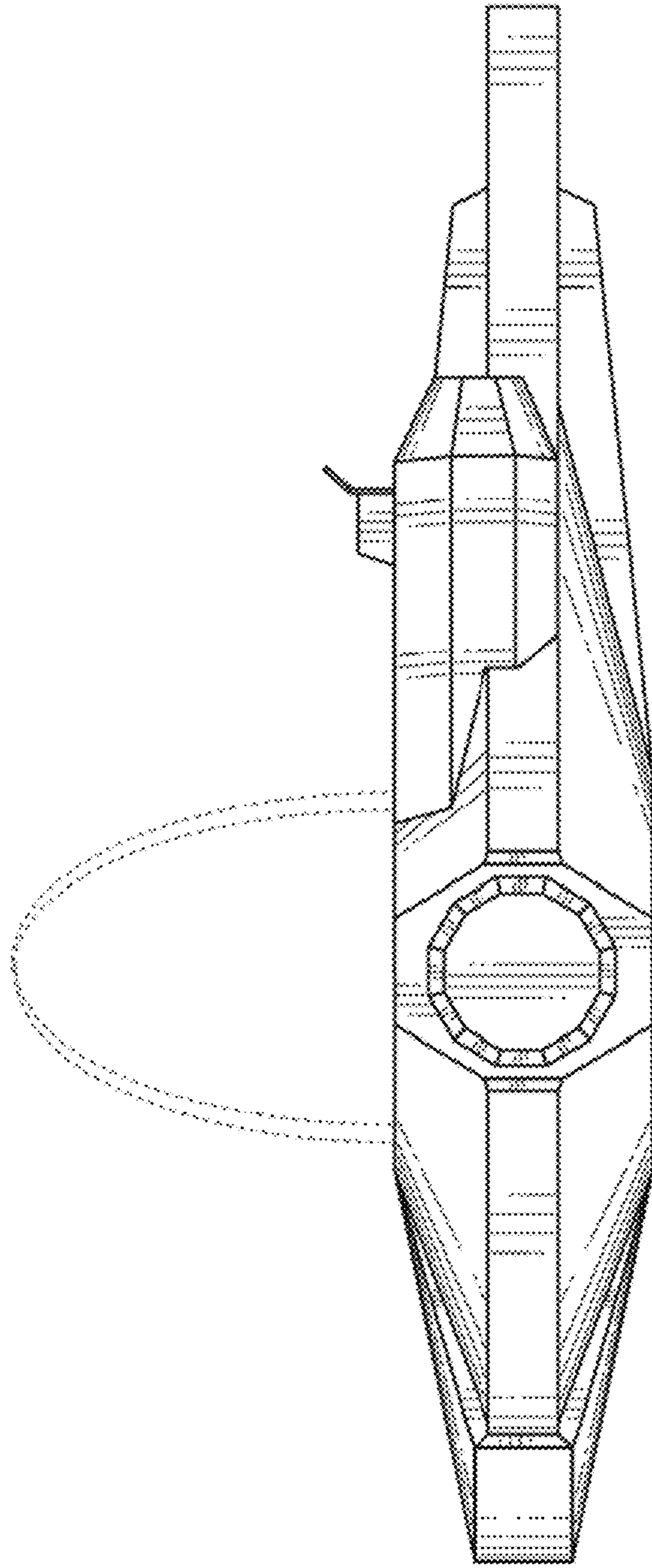


FIG. 4

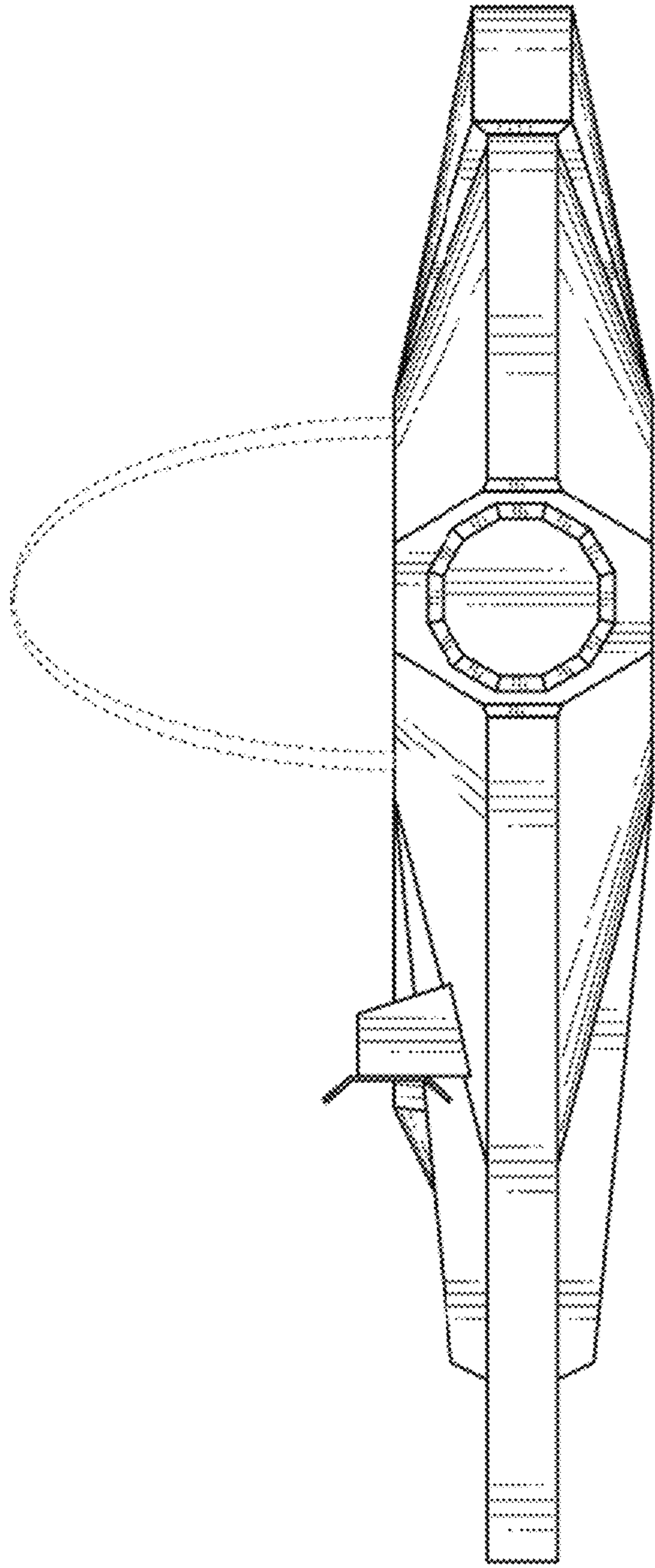


FIG. 5

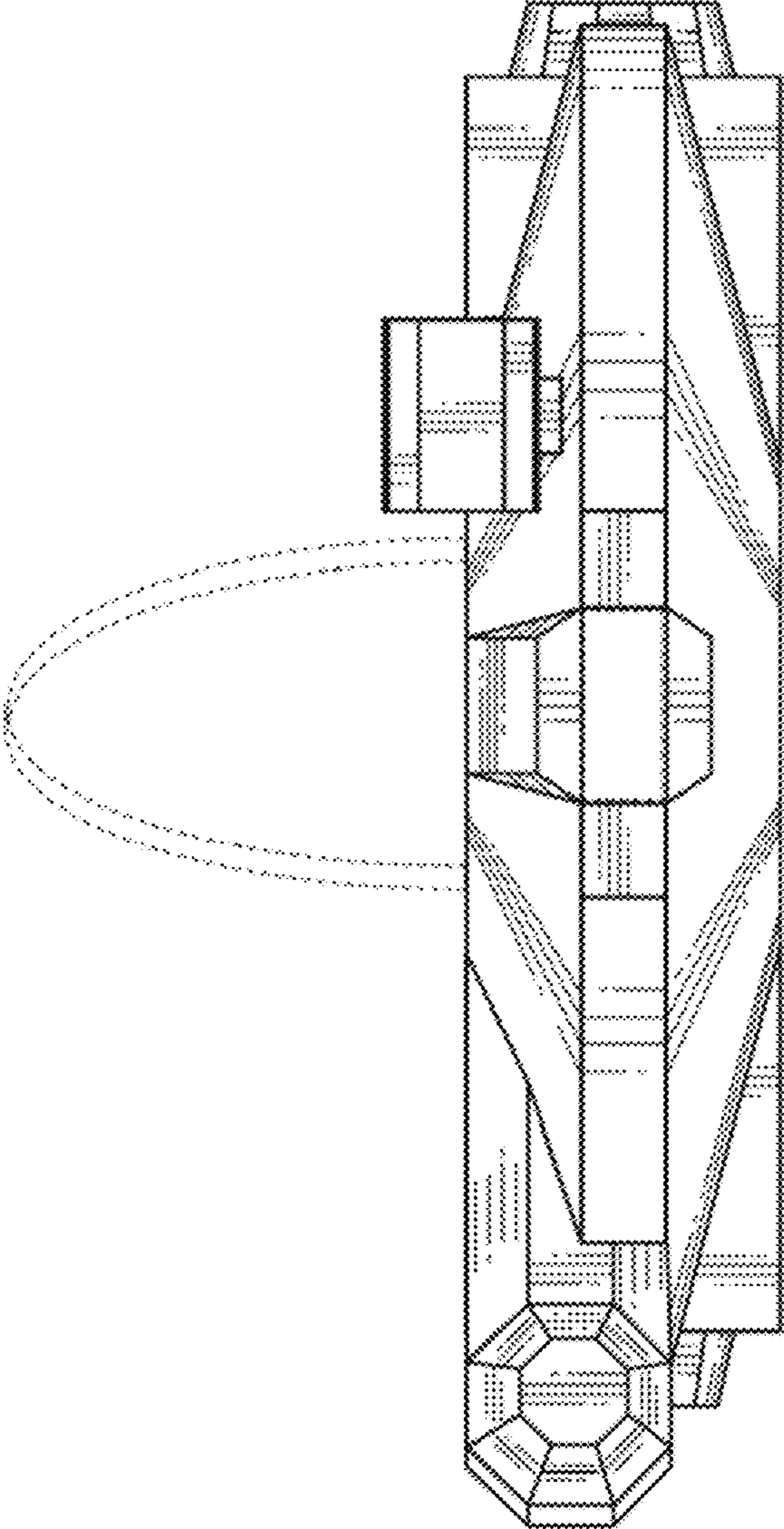


FIG. 6



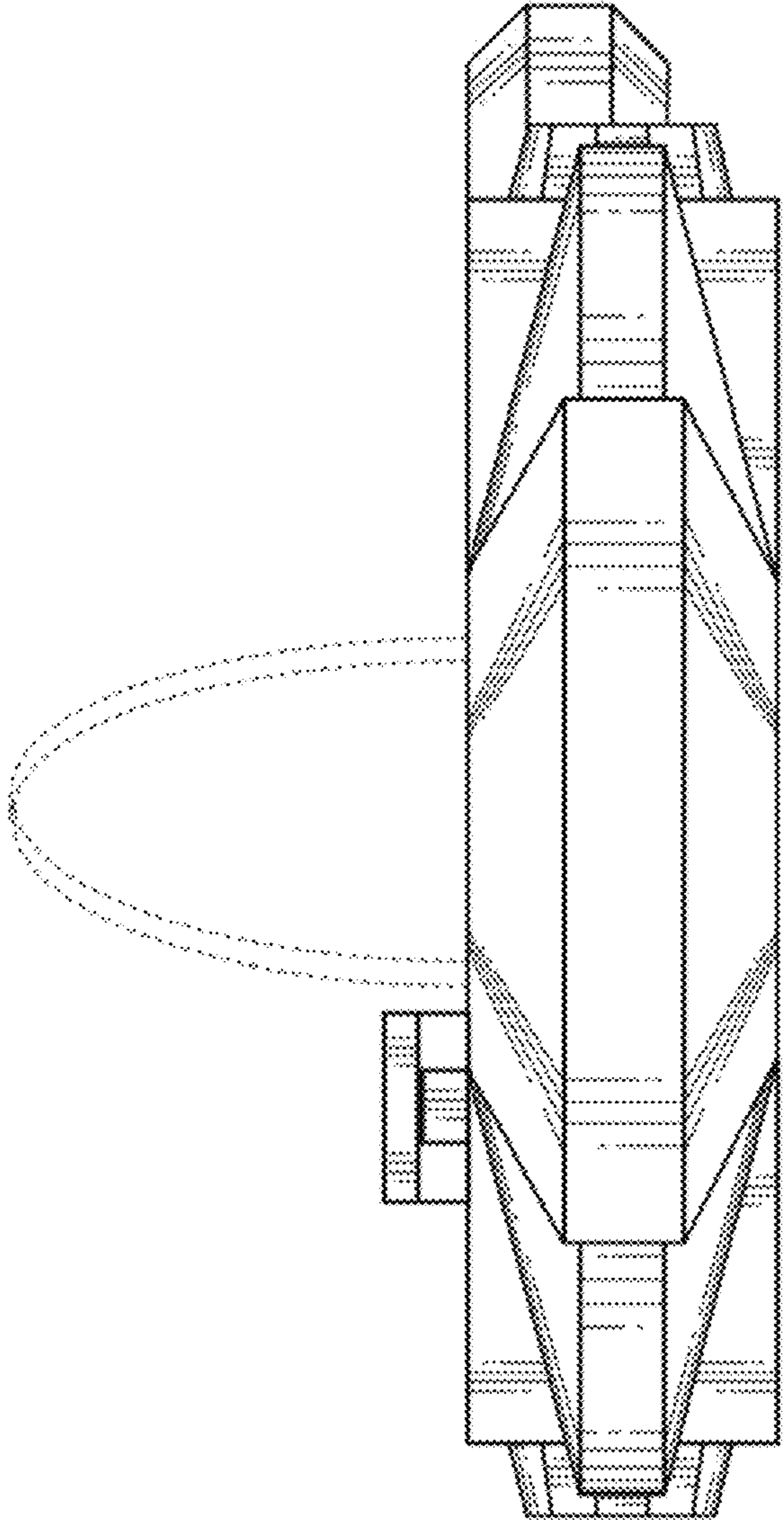


FIG. 7

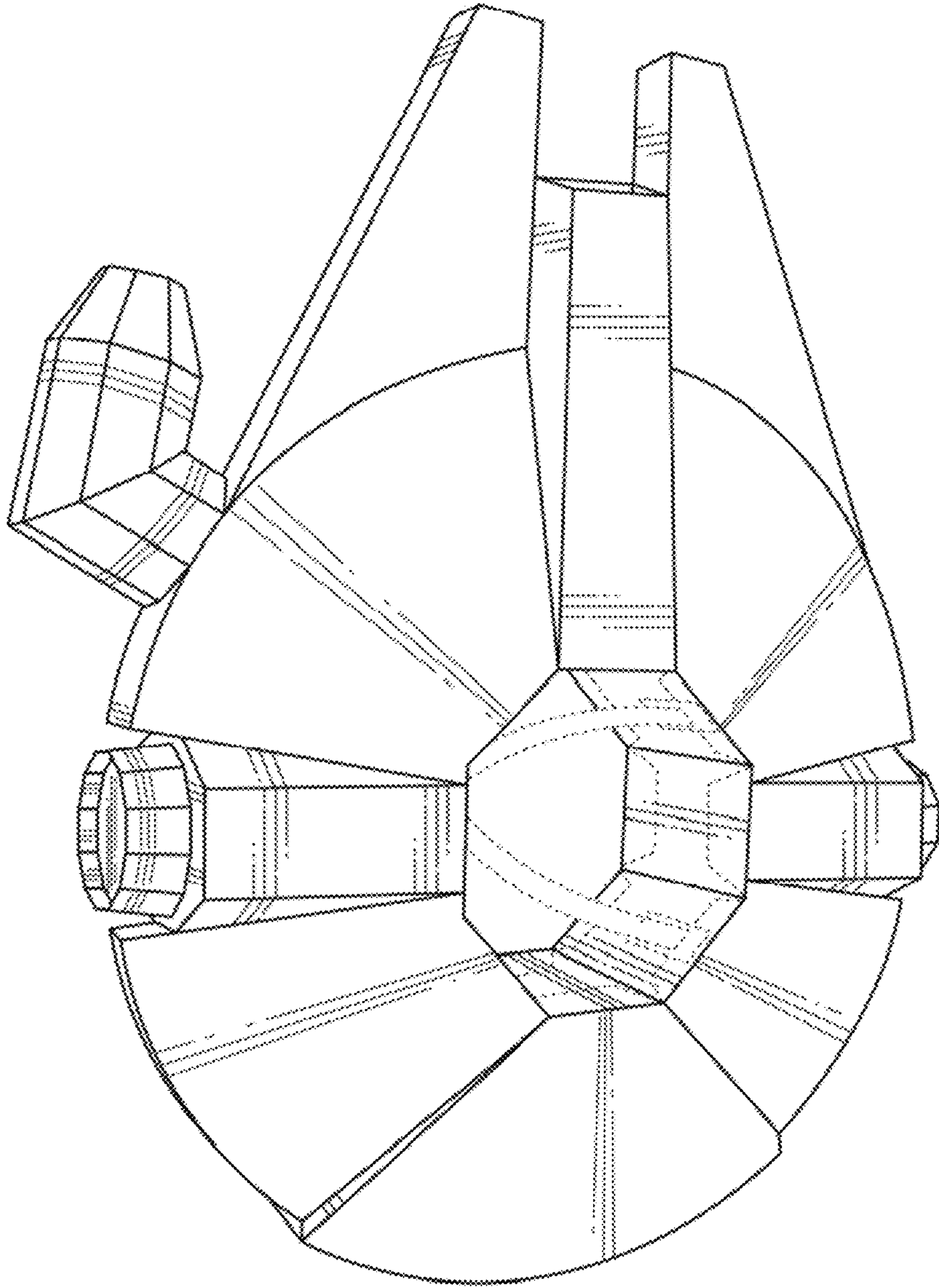


FIG. 8

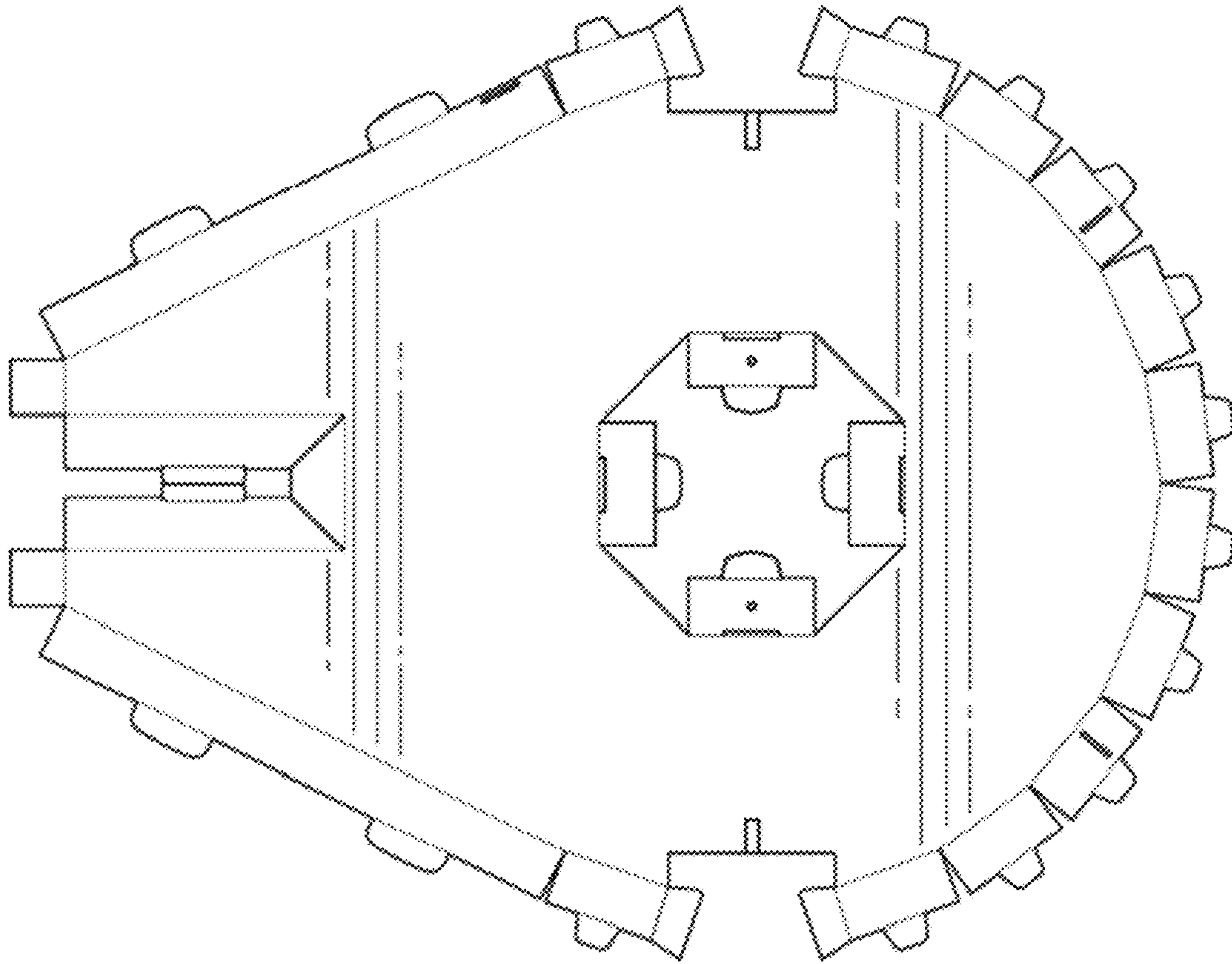


FIG. 10

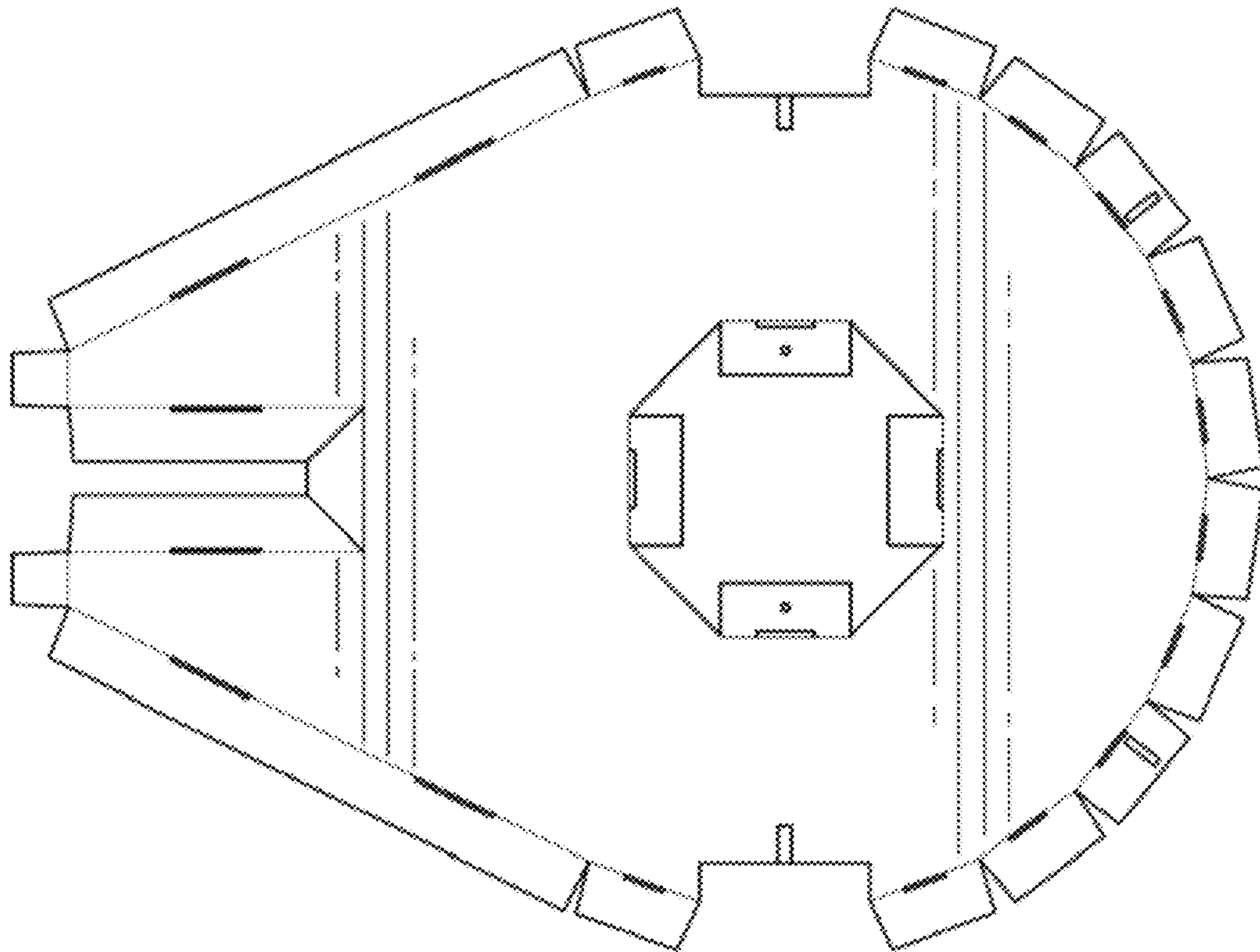


FIG. 9



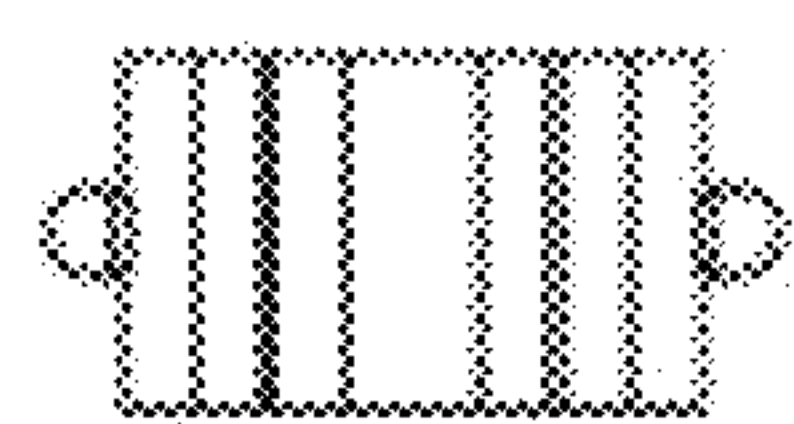


FIG. 11

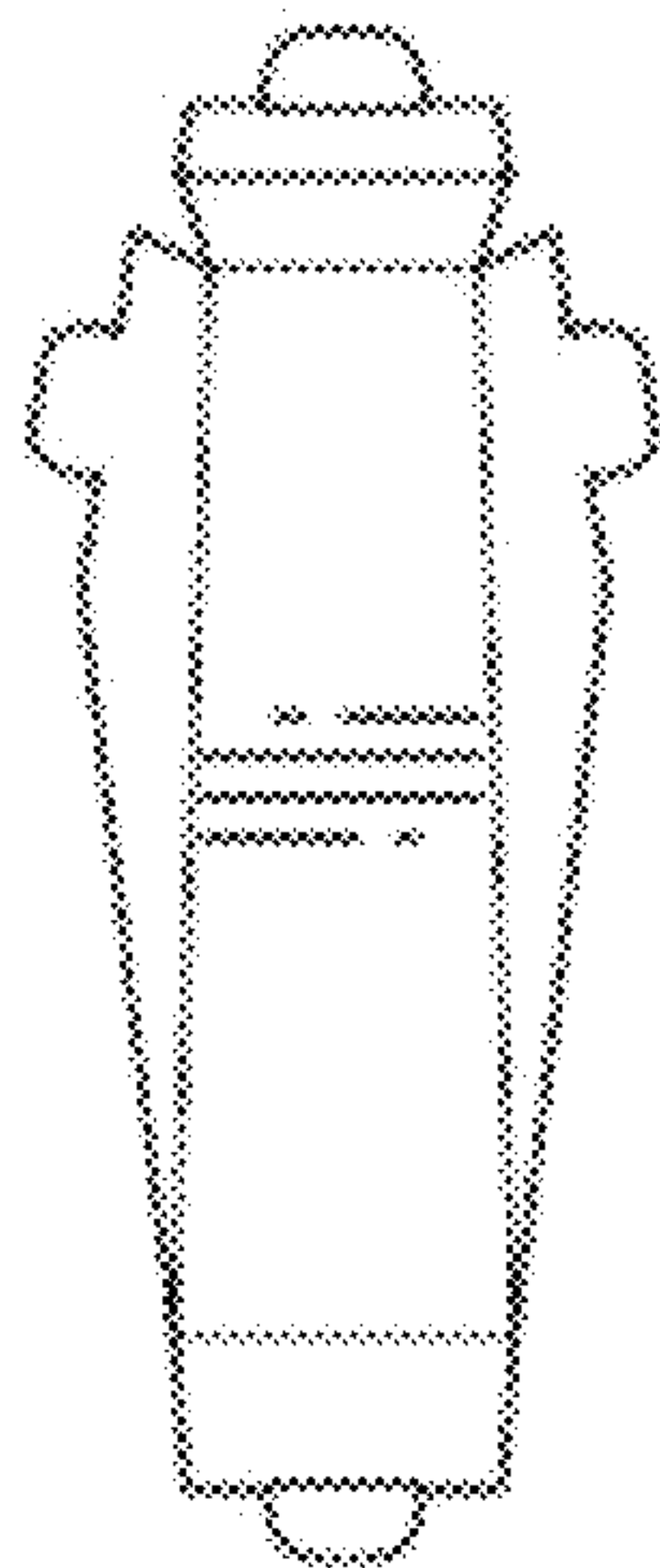


FIG. 12

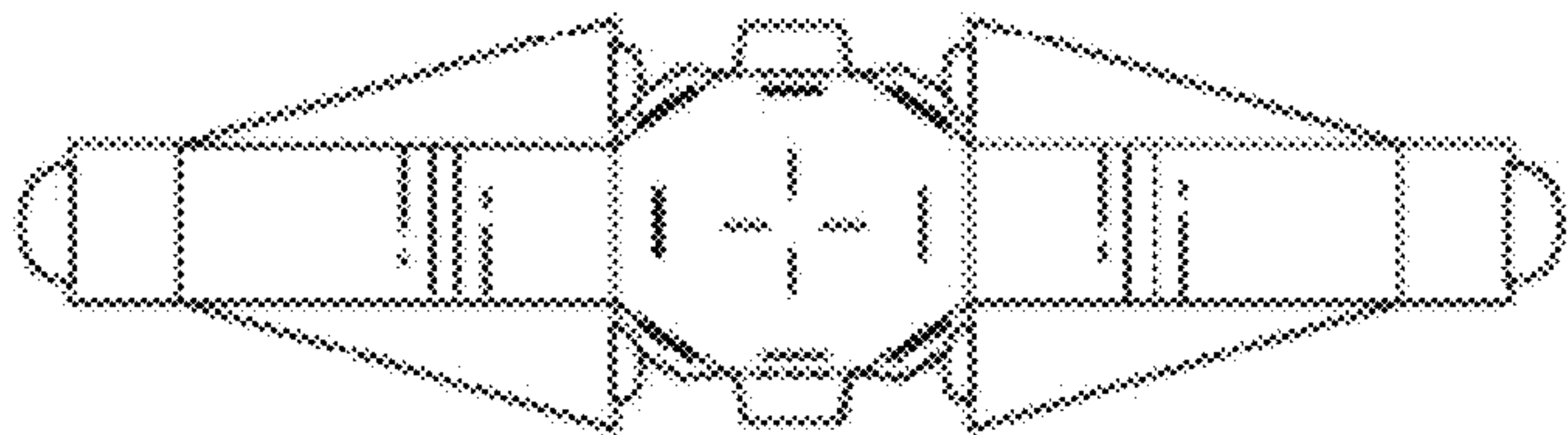


FIG. 13

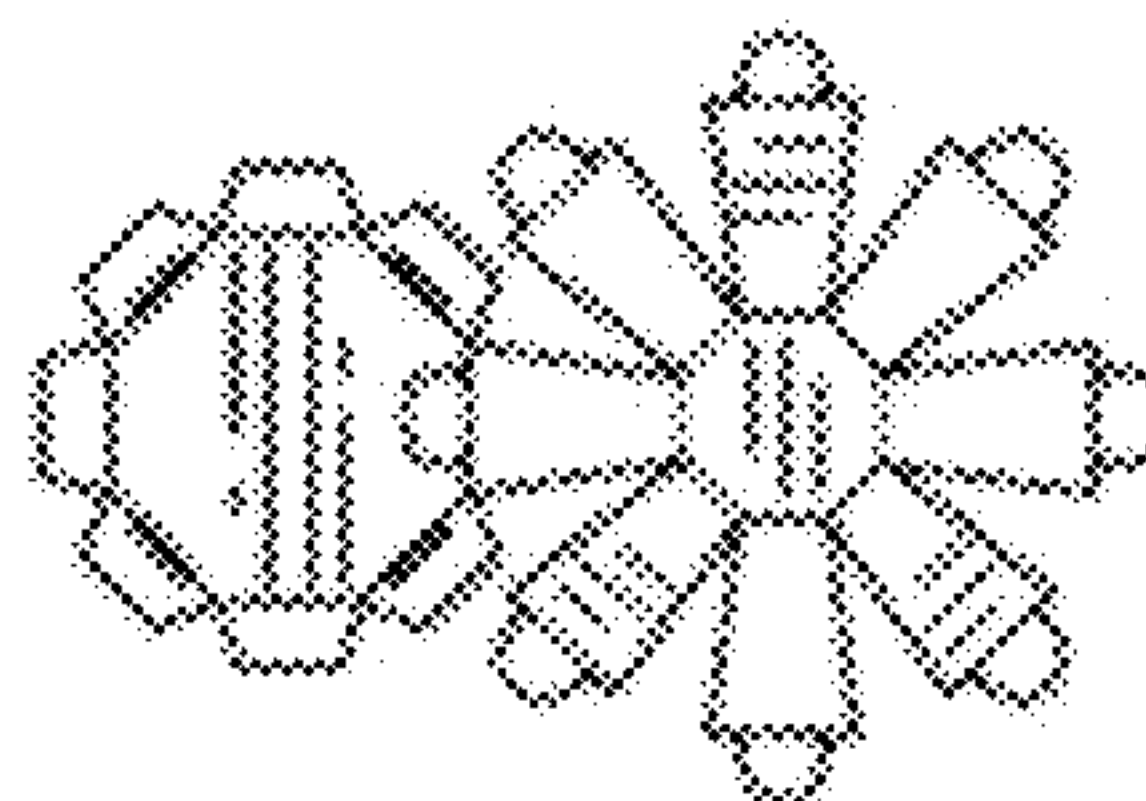


FIG. 14

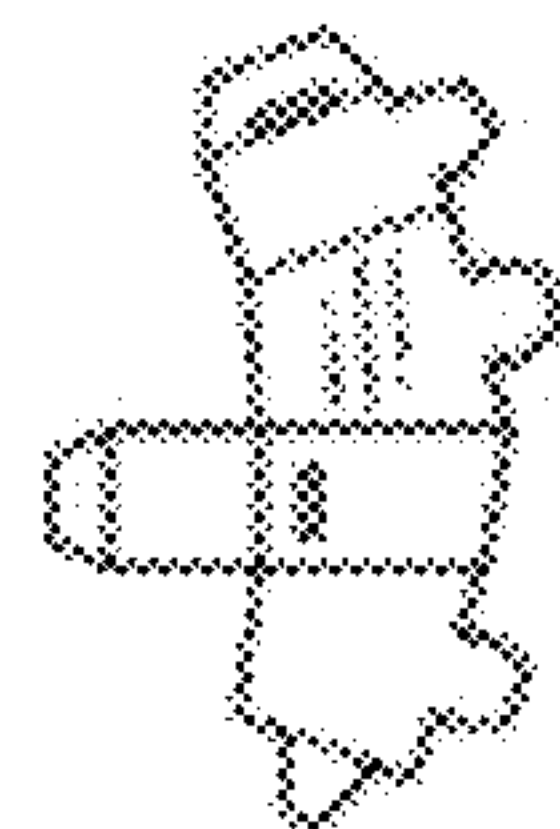


FIG. 15

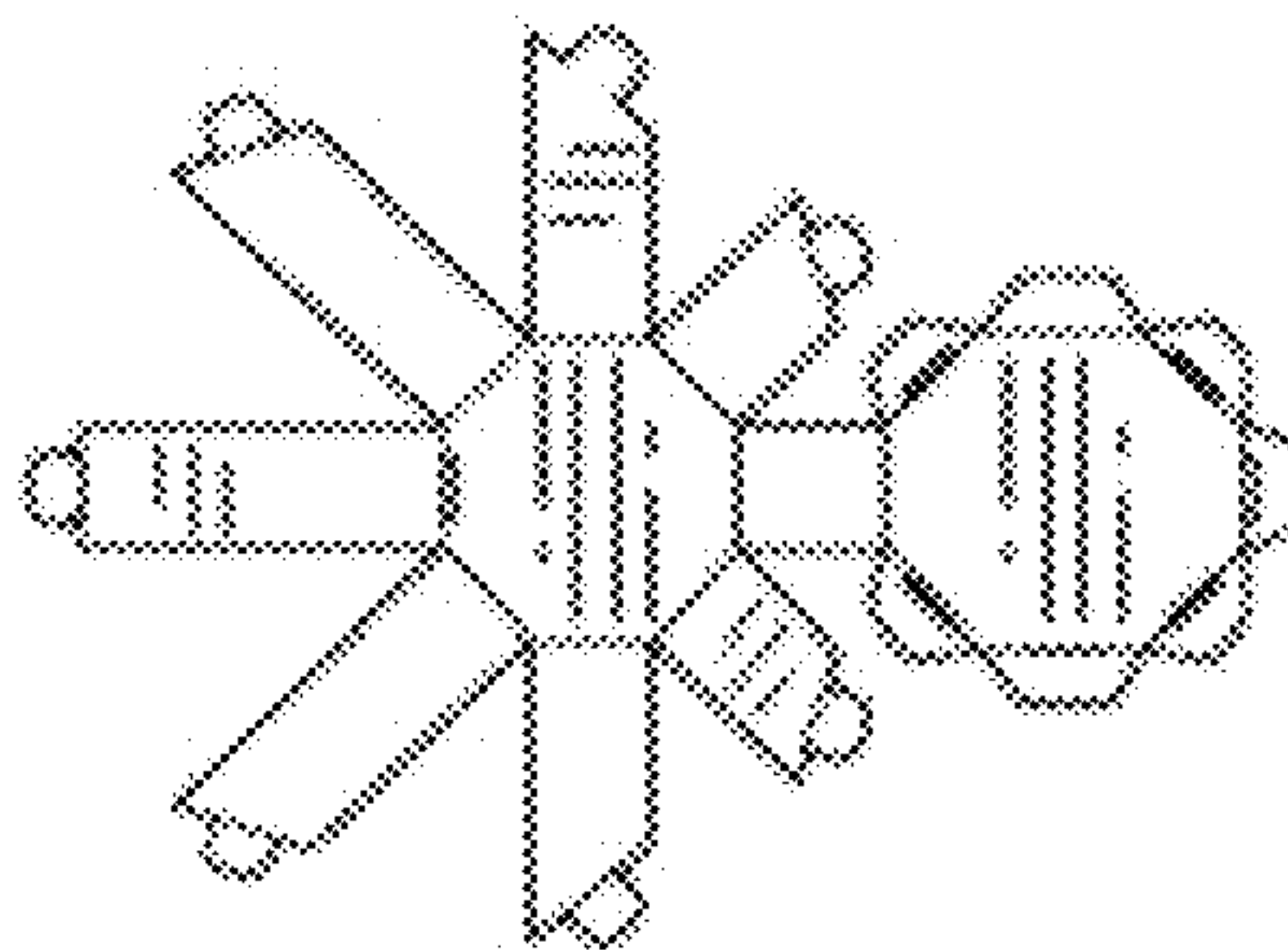


FIG. 16

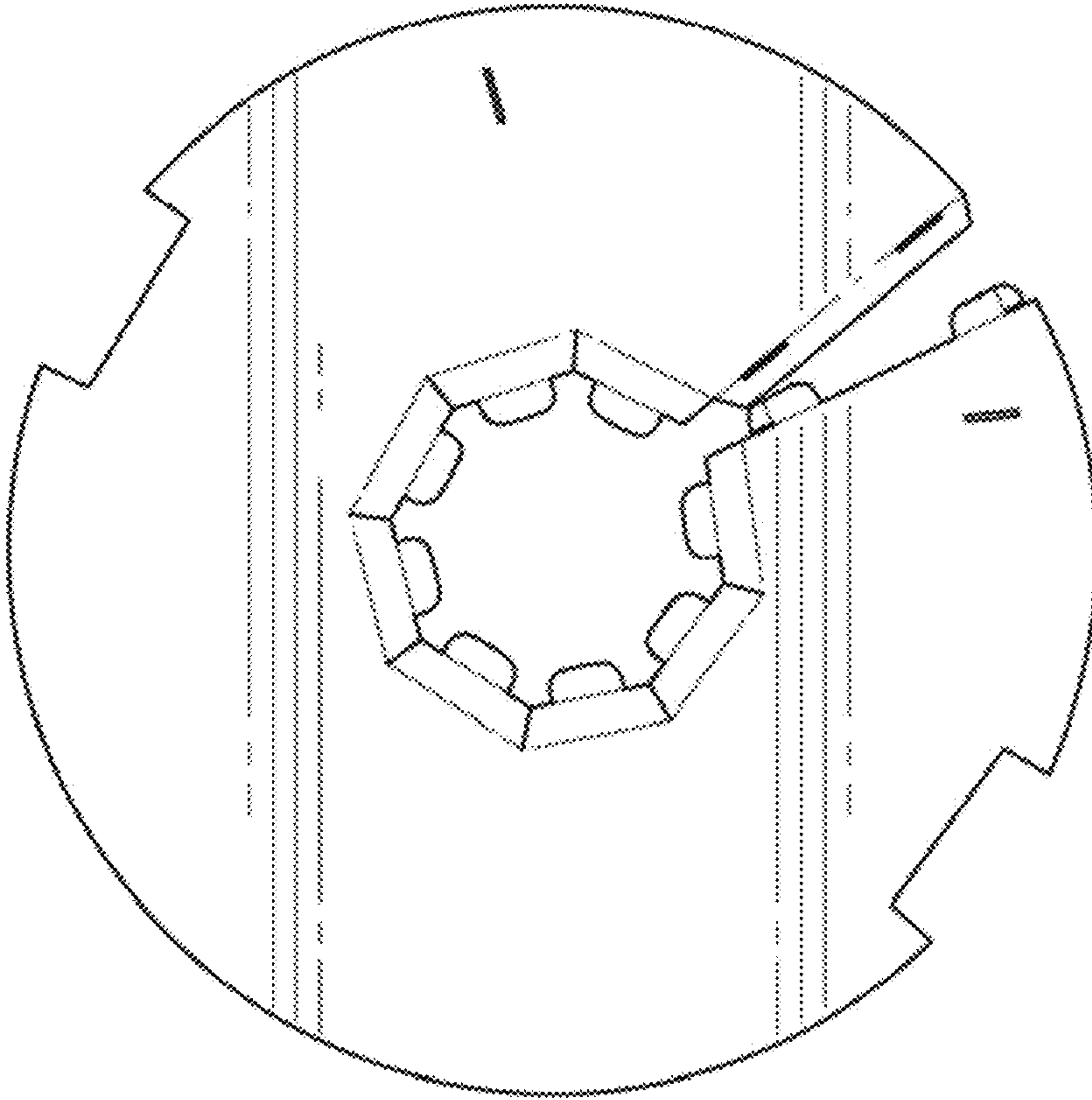


FIG. 17

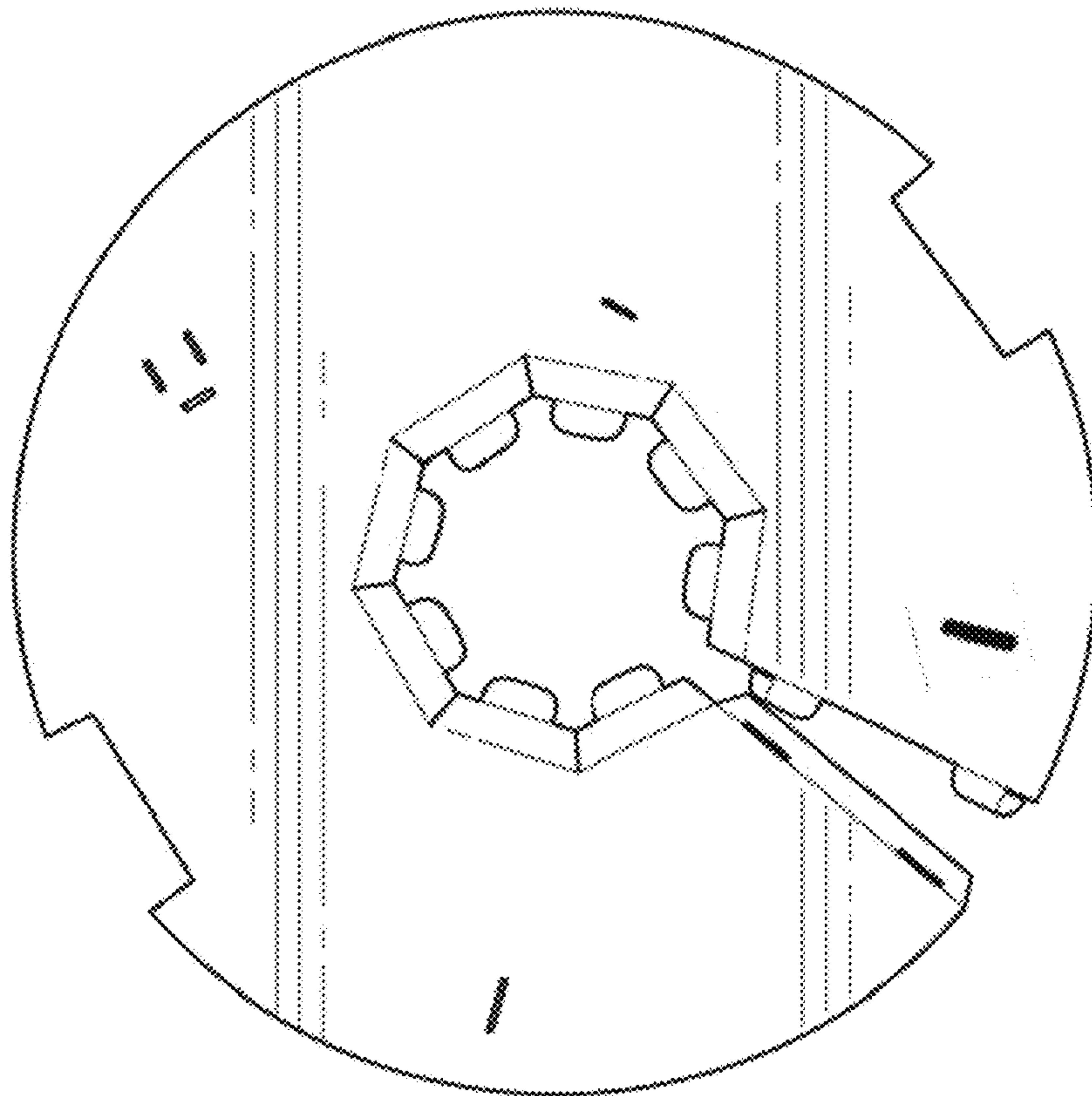


FIG. 18



FIG. 22



FIG. 23

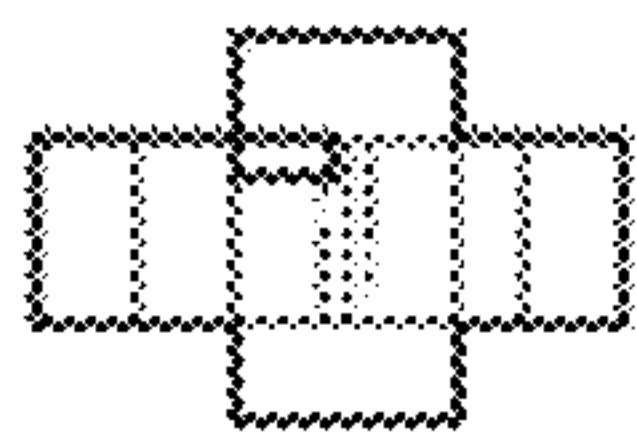


FIG. 24

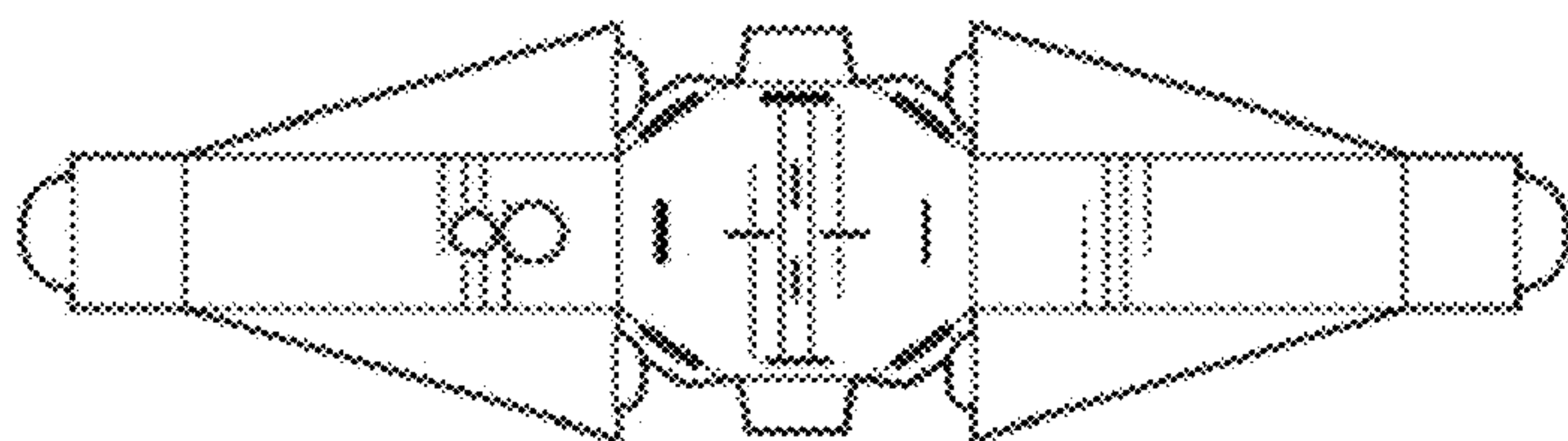


FIG. 21

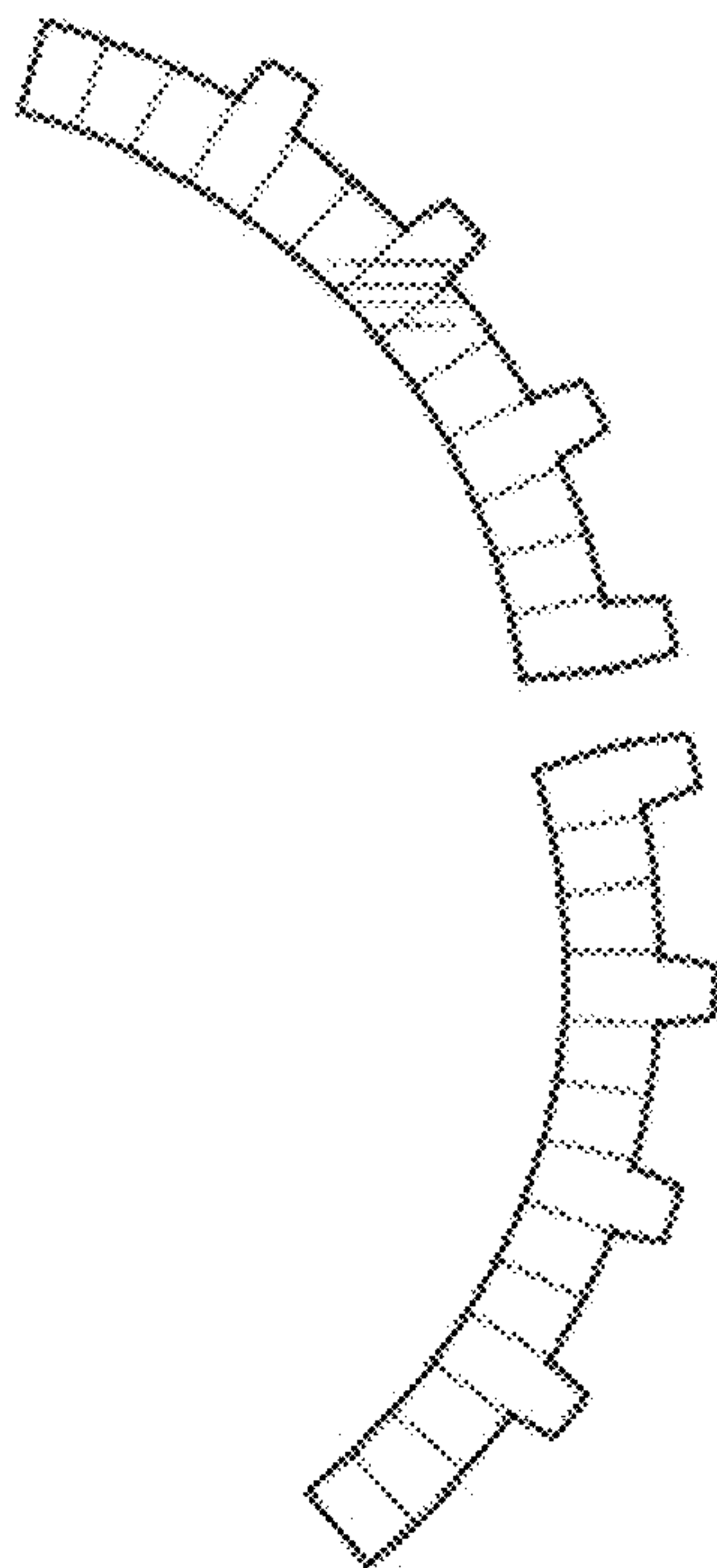


FIG. 19

FIG. 20

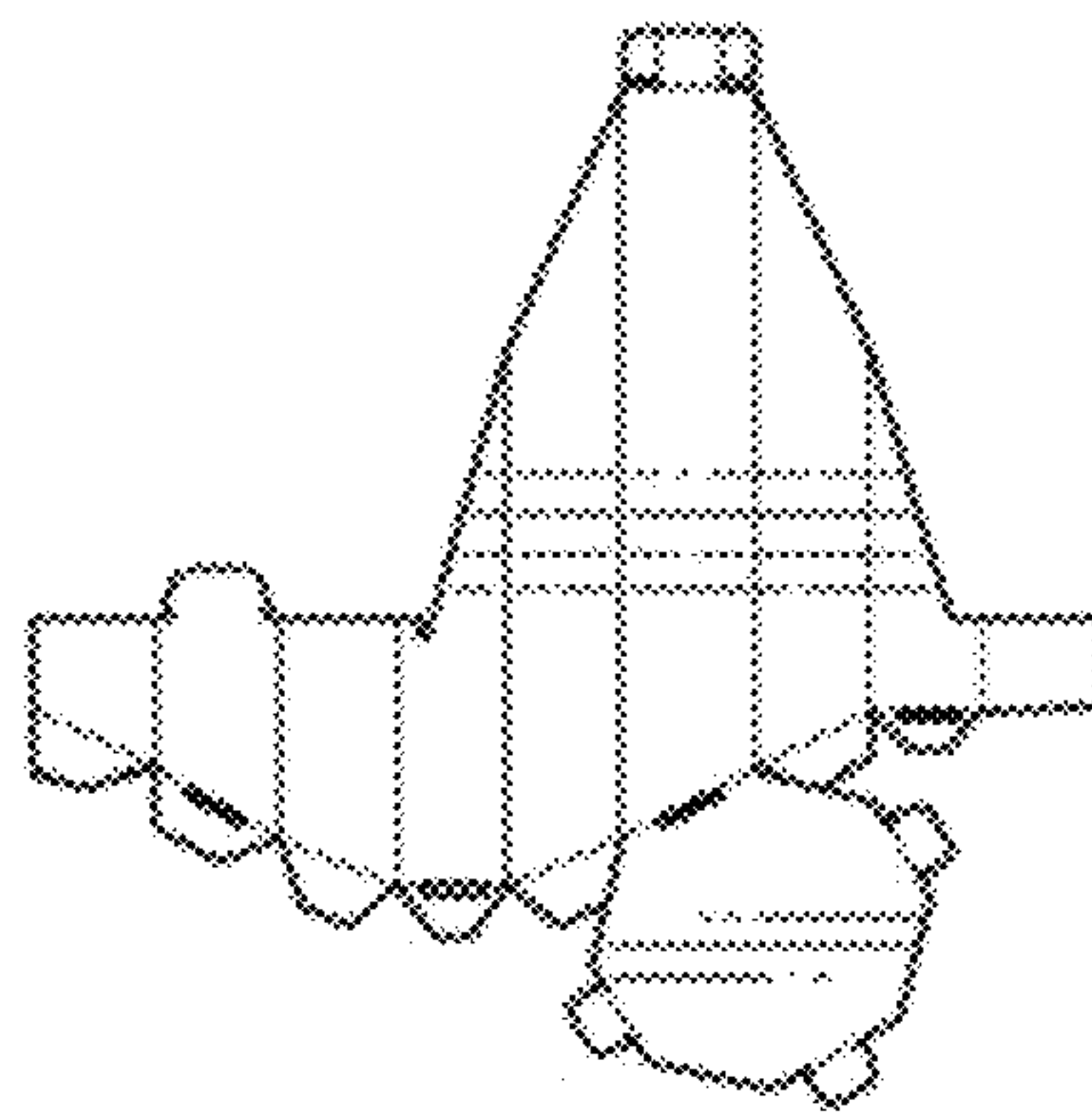


FIG. 26



FIG. 25



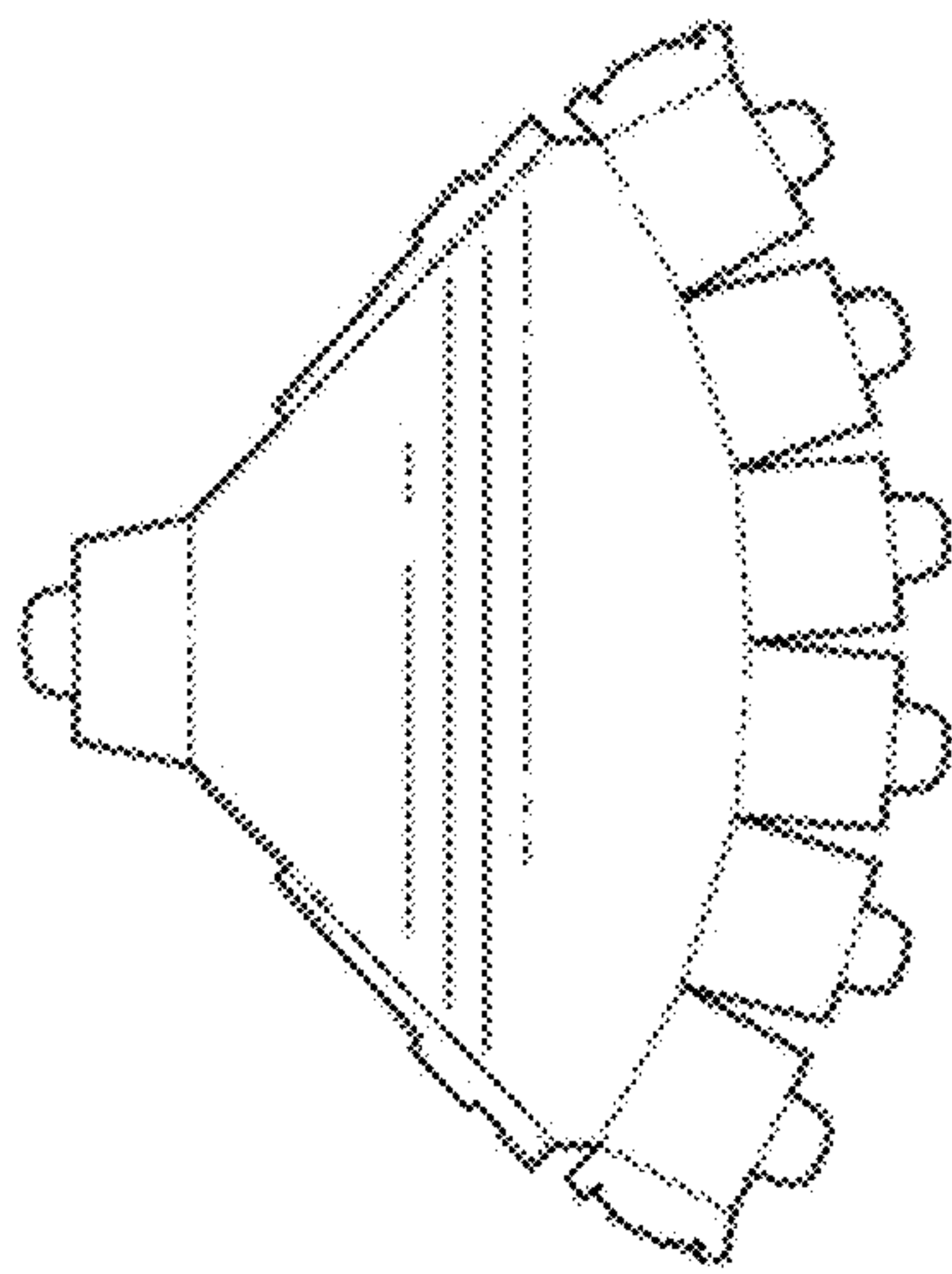


FIG. 27

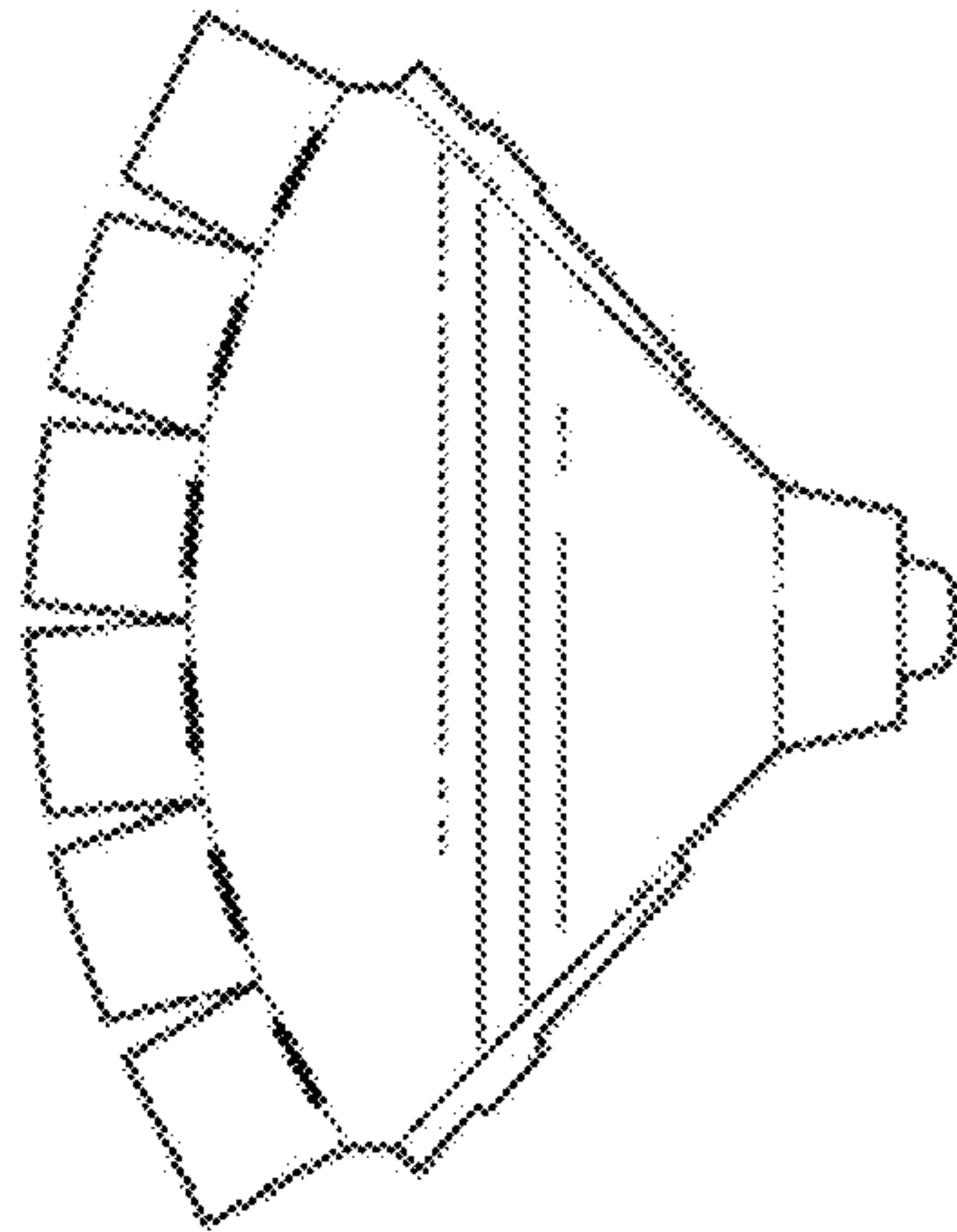


FIG. 28

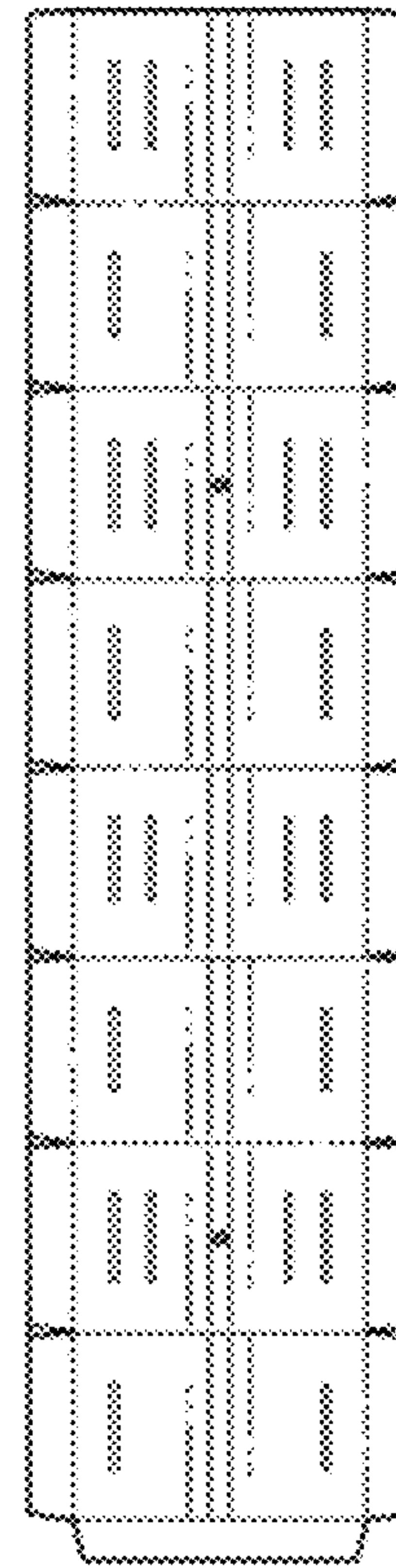


FIG. 29